

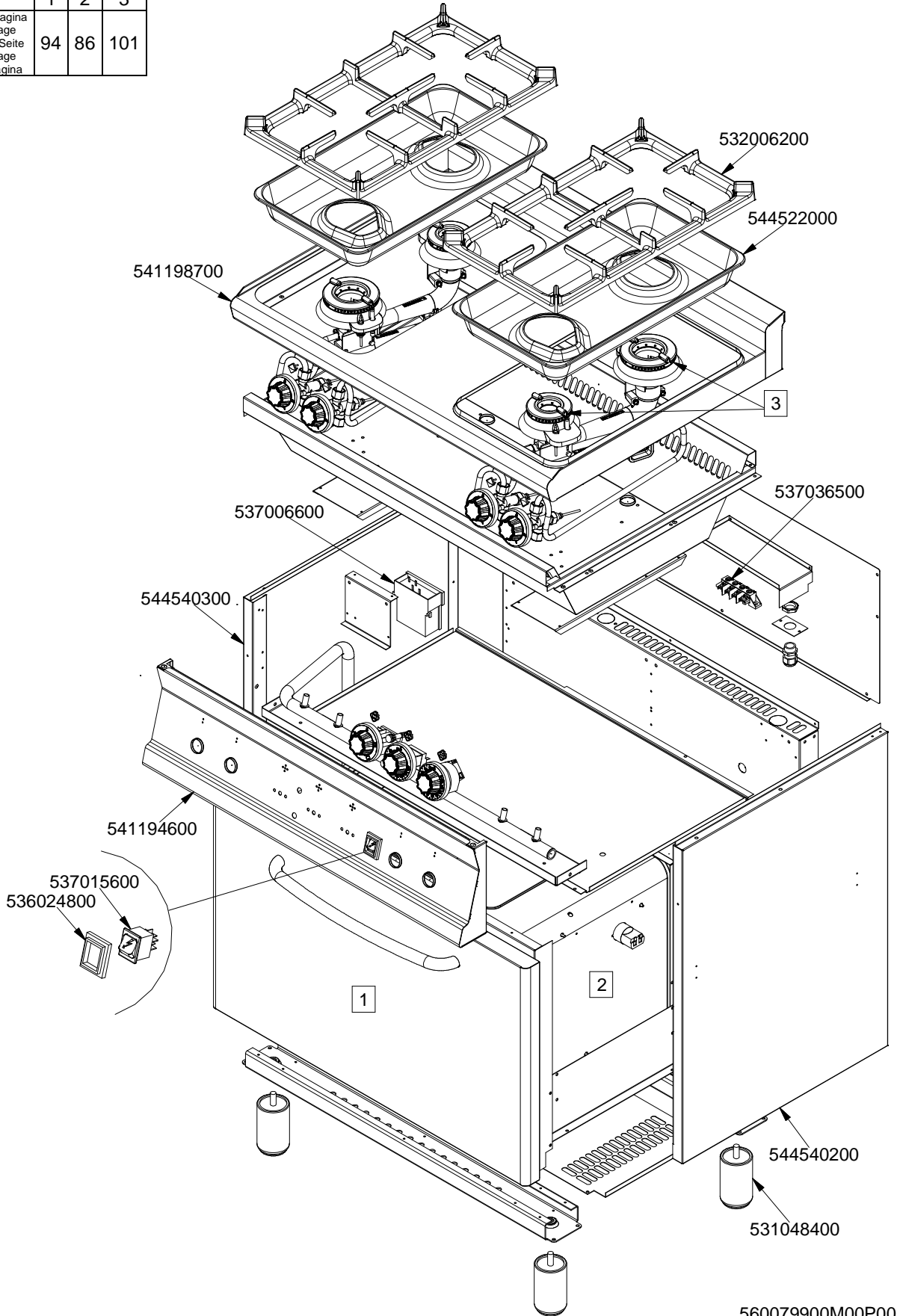
# MAGICLOTUS 60

CUCINE / RANGES / HERDE / CUISINIÈRES

CF..4-68

## CF4-68GEM

	1	2	3
Vedi Pagina See Page Siehe Seite Voir Page Ver Pàgina	94	86	101



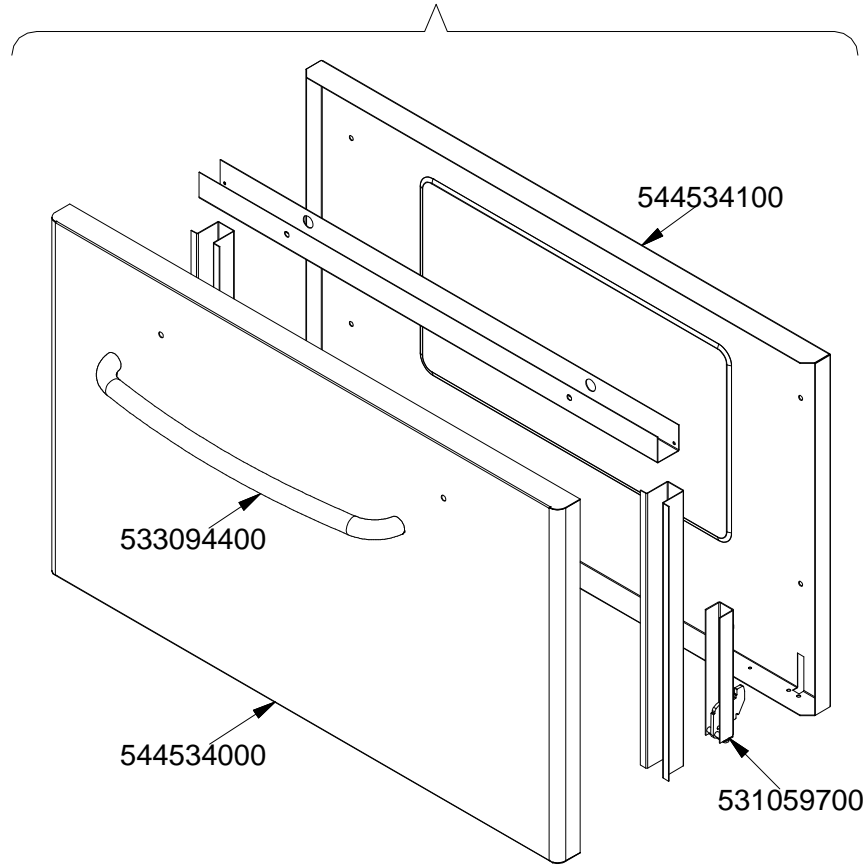
560079900M00P00

# MAGICLOTUS 60

CUCINE / RANGES / HERDE / CUISINIÈRES  
FORNO / OVEN / BACKOFEN / FOUR / CF...-68 CF...-610 CF...-612

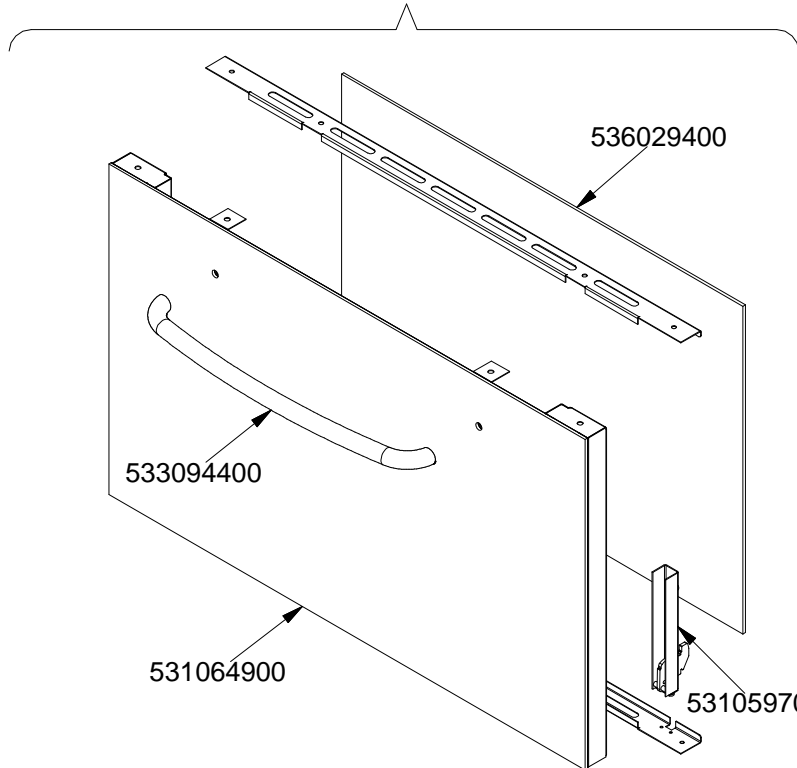
PORTE / DOORS / TÜREN / PORTES / GN1/1

531059200



560081100M00P00.

531059300

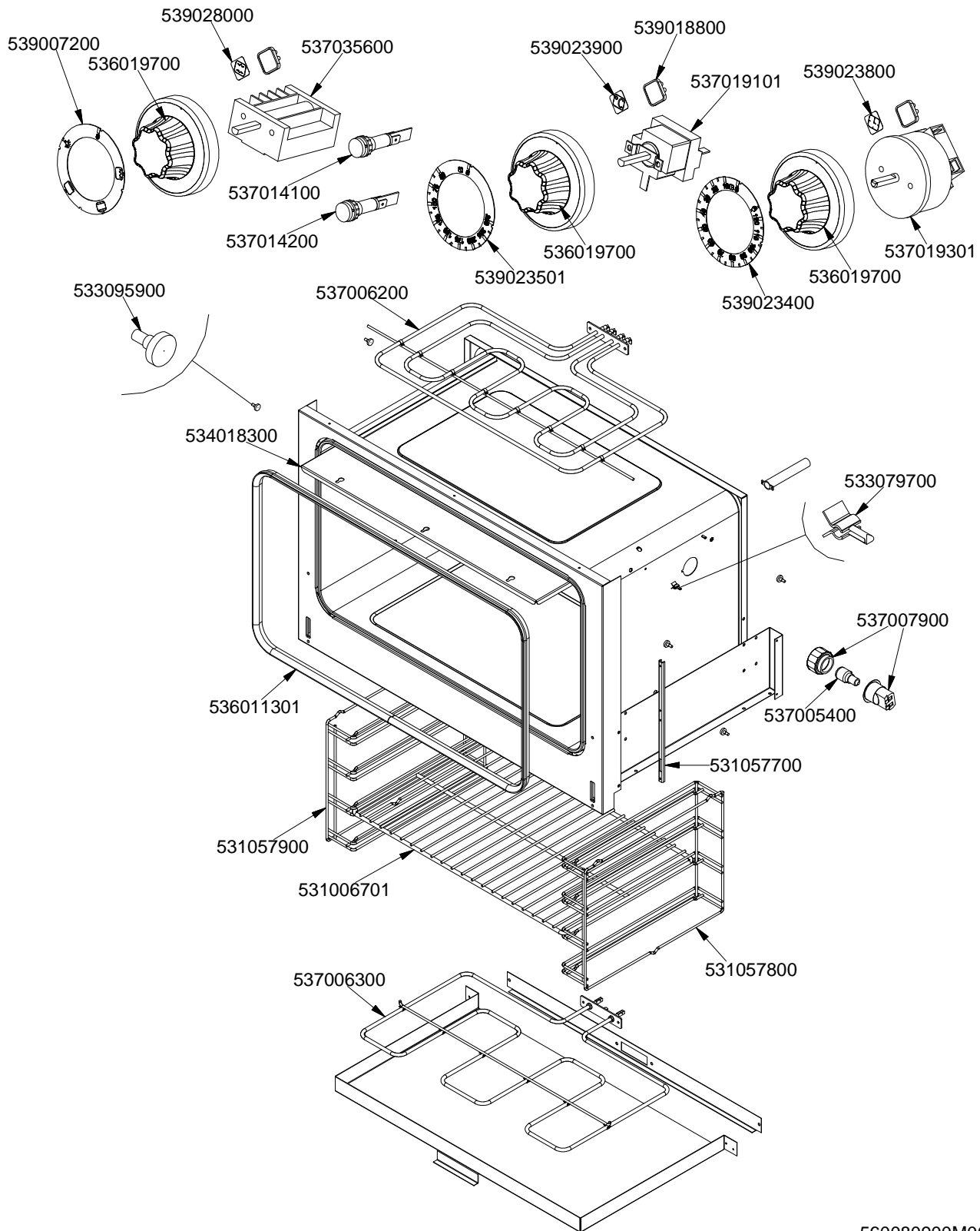


560081200M00P00.

# MAGICLOTUS 60

CUCINE / RANGES / HERDE / CUISINIÈRES  
FORNO / OVEN / BACKOFEN / FOUR / CF...-68 CF...-610 CF...-612

ELETTRICO STATICO / TRADITIONAL ELECTRIC / STATISCHER ELEKTRO /  
ELECTRIQUE STATIQUE / GN1/1



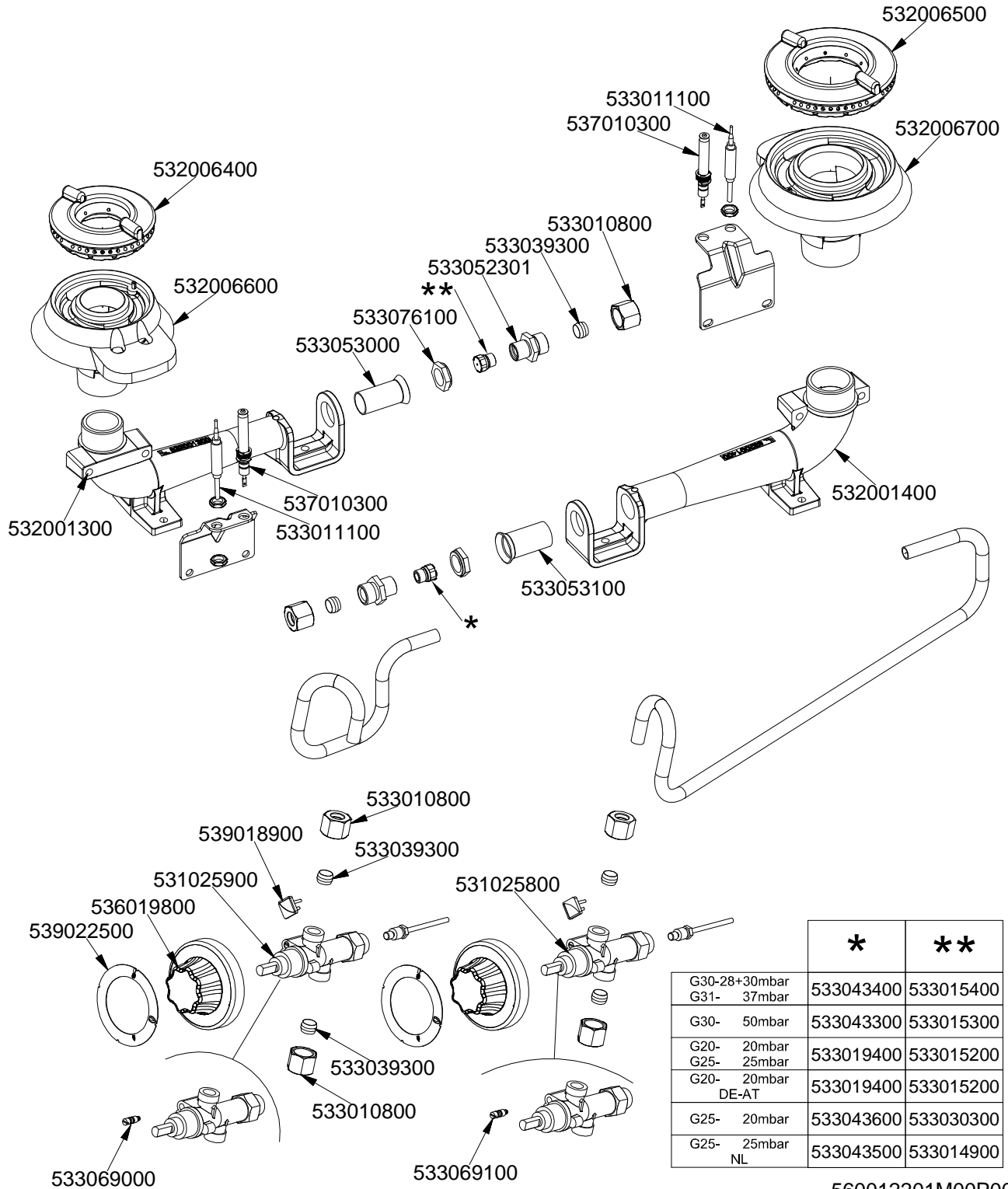
560080900M00P00.

# MAGICLOTUS 60

CUCINE / RANGES / HERDE / CUISINIÈRES

COMPONENTI COMUNI / STANDARDS PARTS / UEBLICHE TEILE / COMPOSANTS COMMUNS

## PCT-G



	*	**
G30-28+30mbar G31- 37mbar	533043400	533015400
G30- 50mbar	533043300	533015300
G20- 20mbar G25- 25mbar	533019400	533015200
G20- 20mbar DE-AT	533019400	533015200
G25- 20mbar	533043600	533030300
G25- 25mbar NL	533043500	533014900

560012201M00P00

Page	Pos	Code	Description
001		532006200	2 BURNERS GRID 290X505 60T RAF
001		544522000	BURNER DRIP PAN OF PCT-60
001		541198700	CONTROL PANEL 60T CF4-6 8GE
001		537036500	TERMINAL BLOCK 4POLES 40A SCREW-SCR
001		537006600	IGNITION UNIT 4 FLAMES V230
001		544540300	
001		544540200	
001		541194600	CONTROL PANEL 607090 CF4-6 8GE
001		531048400	INOX LEG Ø1"3/4 100-165 M10
001		537015600	BIPOLAR SWITCH
001		536024800	
002		531059200	OVEN DOOR * S60T 68 INOX C.
002		544534100	INNER DOOR OF MAXI OVEN OF 60T-LINE
002		533094400	S/S OVEN DOOR HANDLE FOR 60T-LINE
002		544534000	S/S DOOR FOR MAXI OVEN OF 60T LINE
002		531059700	DOOR HINGE FOR MAXI OVEN 60.LINE
002		531059300	OVEN DOOR * S60T 68 GLASS C.
002		536029400	
002		531064900	
003		539028000	SELECTOR SIGN PLATE FOR OVEN
003		539018800	INDEX FOR OVEN KNOB
003		539007200	ADHESIVE GRADUATE F.MAXI-EL.STAT.OV
003		536019700	BLACK KNOB §70 PIN §6*5
003		537019101	THERMOSTAT MONOPHAS.050-320°C F.MF
003		539023900	SIGN PLATE FOR OVEN TEMPERATURE
003		537014100	WHITE WARNING LIGHT 250V
003		537014200	GREEN WARNING LIGHT 250V
003		537005400	OVEN BULB 15W 300°C
003		533095900	PIN FOR GRIDSHOLDER SUPPORT CF 60
003		539023400	ADHESIVE GRADUATED DISC F.KNOB
003		531057800	RHD GRIDS HOLDER FOR MAXI-OVEN
003		534018300	KNOB PROTECTION FOR MAXI CF 60T
003		533079700	LOCK SPRING FOR BULB §3/§4
003		537035600	OVEN COMMUTATOR * EL. 60+65LINES
003		537007900	OVEN BULB-SOCKET
003		536011301	OVEN GASKET CF-8/10 *FE*
003		531057700	DOOR WHEEL HOLDER F.MAXI OVEN 60T
003		539023800	SIGN PLATE FOR OVEN TIMER
003		531057900	LHD GRIDS HOLDER FOR MAXI-OVEN
003		531006701	MAXI OVEN GRID FOR S60/65
003		537019301	
003		537006300	LOWER OVEN HEATING EL.W1750 230CF8/
003		539023501	ADHESIVE GRAD.DISC *E.MULTIF.TERM.
003		537006200	UPPER OVEN HEATING EL.1000+2000W
004		532006500	QUICKBURNER 2 RING Ø102 3 Z
004		532006700	BURNER BODY 5,5 KW WITH PLUG
004		533011100	THERMOCOUPLE 600 M8*1
004		537010300	PLUG IGNITION WITH SPRING PC65
004		532006400	QUICKBURNER 2 RING Ø082 3 Z
004		533010800	TUBE NUT D.10 M16*1,5
004		533039300	BICONE §10

Page	Pos	Code	Description
004		533052301	JOINT FOR NOZZLE HOLDER
004		532006600	BURNER BODY 3,5 KW WITH PLUG
004		533076100	HEXAGONAL NUT M14X1 H4 + BUSHING
004		533053000	AIR ADJUSTMENT BUSHING §18
004		532001400	BURNER VENTURI 5,5 KW
004		532001300	BURNER VENTURI 3,5 KW
004		533053100	AIR ADJUSTMENT BUSHING §20
004		539018900	INDEX FOR KNOB
004		533069000	BY PASS COCK §70 20S-21S
004		533069100	BY PASS COCK §60 20S
004		531025800	SAFETY TAP 20S-B PEL20S2160
004		531025900	SAFETY TAP 20S-B PEL20S21070
004		536019800	BLACK KNOB §70 PIN §8*6,5
004		539022500	ADHESIVE GRADUATED DISC FOR KNOB
004		533043400	NOZZLE §117 CH12*14 G-PC4 UR
004		533015400	NOZZLE §93 CH12*14 G-PC4 R
004		533043300	NOZZLE §103 CH12*14 F-PC4 UR
004		533015300	NOZZLE §82 CH12*14 F-PC4 R
004		533019400	NOZZLE §180 CH12*14 L-FQ5
004		533015200	NOZZLE §145 CH12*14 F-FP/CP6
004		533043600	NOZZLE §200 CH12*14 L-PC4 UR
004		533030300	NOZZLE §160 CH12*14 M-FPG
004		533043500	NOZZLE §190 CH12*14 G25 PC4R
004		533014900	NOZZLE §150 CH12*14 F-FQ5 L-FQ6