

4 kW

4 kW

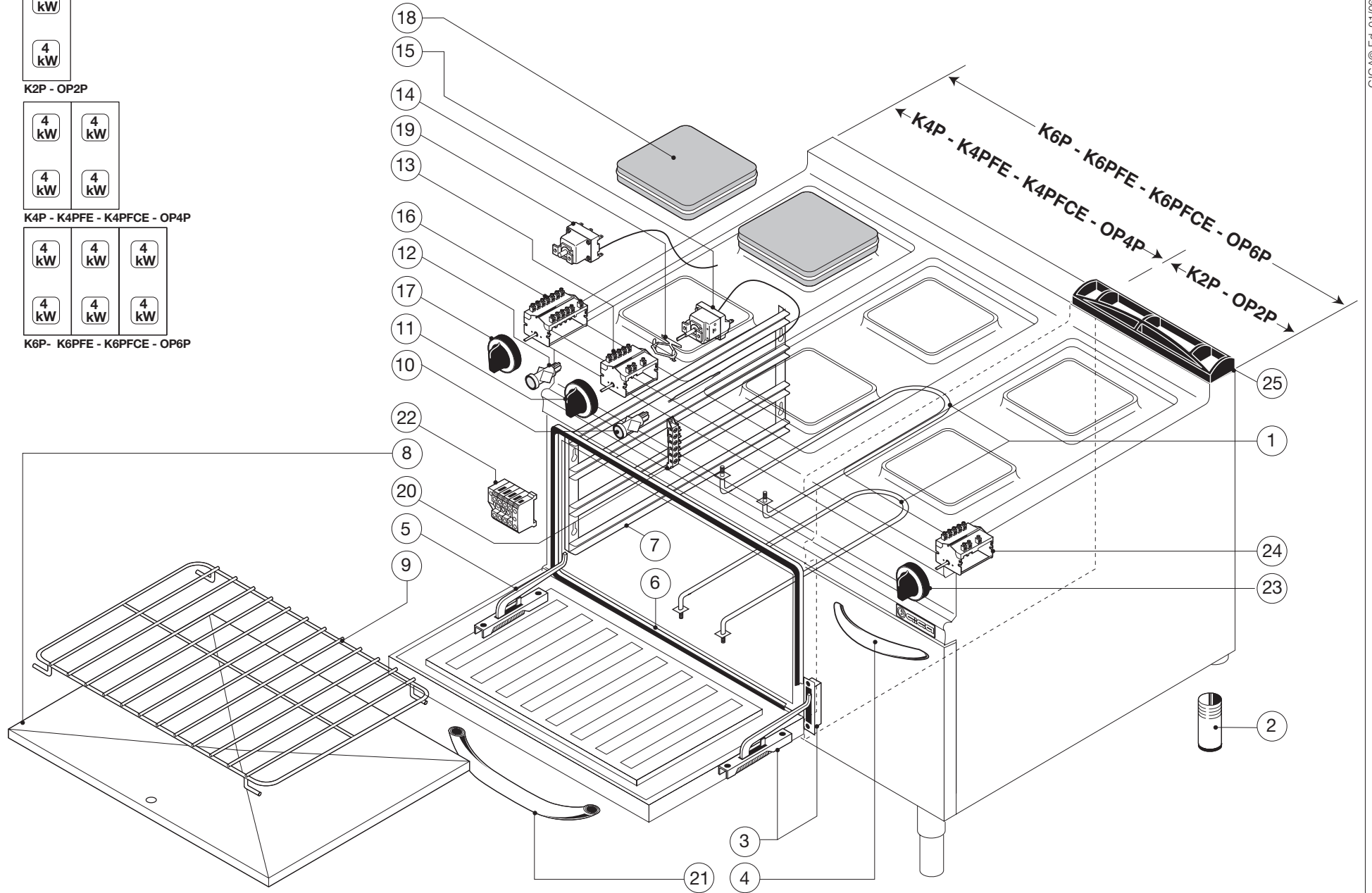
K2P - OP2P

4 kW 4 kW  
4 kW 4 kW

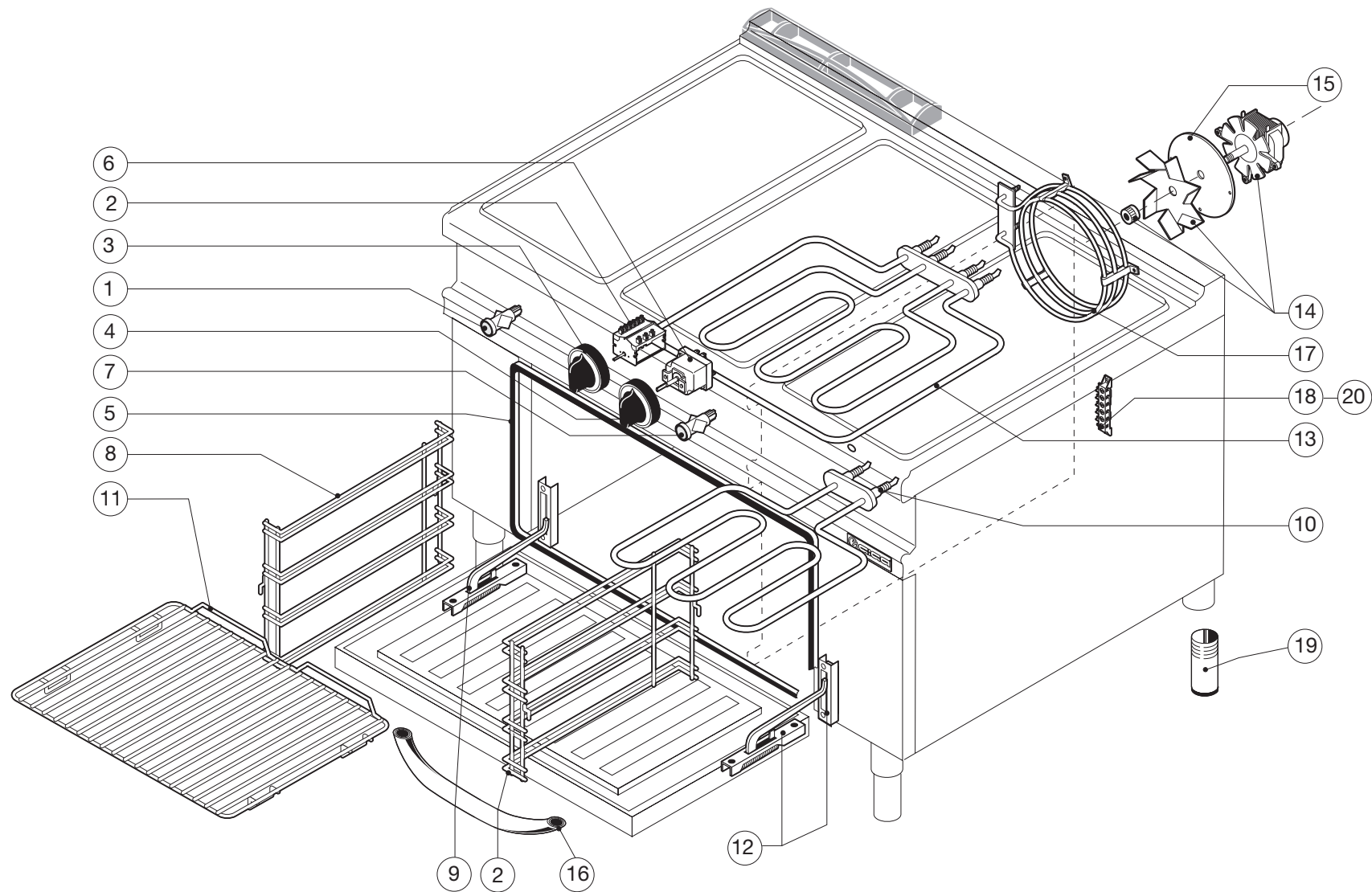
K4P - K4PFE - K4PFCE - OP4P

4 kW 4 kW 4 kW  
4 kW 4 kW 4 kW

K6P - K6PFE - K6PFCE - OP6P



Pezzi/Pieces Pieces/Anzahl							Pos.	Validità dalla matricola Validity from serial number Validité du numéro matricule Gültigkeit ab der (Seriennummer)	Validità alla matricola Validity up to serial number Validité au numéro matricule Gültigkeit bis zur (Seriennummer)	Codice Code Artikel Nummer	Descrizione	Description	Description	Beschreibung
K4PFCE	K6PFCE	K2P - OP2P*	K4P - OP4P*	K6P - OP6P*	K4PFE	K6PFE								
					6	6	1			X47000	Resistenza	Resistance	Résistance	Resistenz
4	4	4/0*	4/0*	4/0*	4	4	2			Y40400	Piedino	Foot	Pied	Fuss
1	1				1	1	3			X66000	Cerniera dx	R.H. Hinge	Charniere droite	Scharnier rechts
							4			Y65500	Maniglia porta	Door handle	Poignée port	Türgriff
1	1				1	1	5			X66100	Cerniera sx	L.H. Hinge	Charniere gauche	Scharnier links
1	1				1	1	6			0000X05600	Guarnizione porta	Door seal	Joint porte	Türdichtung
2	2				2	2	7	0501010822	B85500	B85500	Reggigriglia dx-sx	L.H.-R.H. Grid support	Appui grille droite/gauche	Rostauflegeschiene R.-L.
1	1				1	1	8			B88700	Suola forno elettrico	Electric oven floor	Sole four électrique	Boden Elektroofen
1	1				1	1	9			G21P	Griglia	Grid	Grille	Rost
5	7	2	4	6	5	7	10			X50900	Lampada verde	Green light	Lampe vert	Grüne Kontrollampe
					1	1	11			0000Y65004	Manopola temperatura	Temperature knob	Cle de commande temper	Drehknopf temp.
1	1				1	1	12			X41200	Lampada gialla	Yellow light	Lampe jaune	Gelbe Kontrollampe
					1	1	13			X49700	Commutatore	Selector switch	Commutateur	Schalter
1	1				1	1	14			X44600	Staffa per collegamento	Connecting bracket	Collier de raccordement	Anschlussbügel
					1	1	15			X43900	Termostato 50-300°C	Thermostat 50-300°C	Thermostat 50-300°C	Thermostat 50-300°C
					1	1	16			X44100	Commutatore 4 posizioni	4-Pos. selector switch	Commutateur 4 positions	4 Positionenschalte
					1	1	17			0000Y65007	Manopola forno elettrico	Electric oven knob	Cle de commande pour electric four	Elektrischer Ofendrehknopf
4	6	2	4	6	4	6	18			Y12100	Piastra 4000 W	Plate 4000 W	Plaque 4000 W	Platte 4000 W
					1	1	19			X44800	Termostato di sicurezza	Safety thermostat	Thermostat de sécurité	Sicherheitsthermostat
1	1	1	1	1			20			X59000	Morsettiera	Terminal board	Barrette de raccordement	Klemmeiste
1	1				1	1	21			Y65700	Maniglia forno	Oven handle	Poignée four	Backofengriff
					1	1	22			0000X53900	Morsettiera arrivo linea	Line-in term. board	Plaque à bornes réseau	Stromanschl. Klemmen
4	6	2	4	6	4	4	23			0000Y65005	Manopola per piastre	Plate knob	Cle de commande plaques	Drehknopf für platten
4	6	2	4	6	4	4	24			X54100	Commutatore 7 posizioni	7-Pos. selector switch	Commutateur 7 positions	7 Positionenschalte
2	3	1	2	3	2	3	25			1550Y63500	Griglietta scarico fumi	Smoke discharge grid	Grille évacuation des fumées	Rauchblassgitter
2	2				2	2	7	0501010823		Y47400	Reggigriglia dx-sx	L.H.-R.H. Grid support	Appui grille droite/gauche	Rostauflegeschiene R.-L.



• 3E01-003 K4FSFCE	• 3E01-012 K4ZFCE - K6ZFCE K8ZFCE - K4ZSFCE	• 3E01-014 KTPFCE K2TPFCE	• 3E01-015 K4PFCE K6PFCE	• 3E01-016 K4VFCE
-----------------------	---	---------------------------------	--------------------------------	----------------------

Pezzi/Pieces Pieces/Anzahl											Pos.	Validità dalla matricola Validity from serial number Validité du numéro matricule Gültigkeit ab der (Seriennummer)	Validità alla matricola Validity up to serial number Validité au numéro matricule Gültigkeit bis zur (Seriennummer)	Codice Code Artikel Nummer	Descrizione	Description	Description	Beschreibung
K4FSFCE	K4FZFCE	KTPFCE	K4PFCE	K4VFCE	K4ZSFCE	K6FZFCE	K2FTPFCE	K6PFCE	K8FZFCE									
1	1	1	1	1	1	1	1	1	1	2	1			X50900	Lampada verde	Green light	Lampe vert	Grüne Kontrolllampe
1	1	1	1	1	1	1	1	1	1	2	2			X68204	Commutatore	Selector switch	Commutateur	Schalter
1	1	1	1	1	1	1	1	1	1	2	3			0000X65008	Manopola commutatore	Selector knob	Bouton commutateur	Umschaltknopf
1	1	1	1	1	1	1	1	1	1	2	4			0000X65004	Manopola temperatura	Temperature knob	Cle de commande temper	Drehknopf temp.
1	1	1	1	1	1	1	1	1	1	2	5			1000X05600	Guarnizione porta	Door seal	Joint porte	Türdichtung
1	1	1	1	1	1	1	1	1	1	2	6			X68205	Termostato	Thermostat	Thermostat	Thermostat
1	1	1	1	1	1	1	1	1	1	2	7			X41200	Lampada gialla	Yellow light	Lampe jaune	Gelbe Kontrolllampe
2	2	2	2	2	2	2	2	2	2	4	8			V05900	Reggigriglia sx/dx	R.H./L.H. Grid support	Appui grille gauche/droite	Rostauflegeschiene L.R.
1	1	1	1	1	1	1	1	1	1	2	9			X66100	Cerniera sx	L.H. Hinge	Charniere gauche	Scharnier links
1	1	1	1	1	1	1	1	1	1	2	10			X68203	Resistenza inferiore	Bottom resistance	Résistance inferieure	Unterer Resistenz
1	1	1	1	1	1	1	1	1	1	2	11			G11PF	Griglia	Grid	Grille	Rost
1	1	1	1	1	1	1	1	1	1	2	12			X66000	Cerniera dx	R.H. Hinge	Charniere droite	Scharnier rechts
1	1	1	1	1	1	1	1	1	1	2	13			X68202	Resistenza superiore	Top resistance	Résistance superieure	Oberer Resistenz
1	1	1	1	1	1	1	1	1	1	2	14			V03000	Motoventilatore	Electric fan	Moto-ventilateur	Motorventilator
1	1	1	1	1	1	1	1	1	1	2	15			V05400	Isolamento	Insulation	Isolation	Isolierung
1	1	1	1	1	1	1	1	1	1	2	16			Y65700	Maniglia forno	Oven handle	Poignée four	Backofengriff
1	1	1	1	1	1	1	1	1	1	2	17			X68002	Resistenza	Resistance	Résistance	Resistenz
			1	1					1		18			X59000	Morsettiera	Terminal board	Barrette de raccordement	Klemmleiste
4	4	4	4	4	4	4	4	4	4	4	19			Y40400	Piedino	Foot	Pied	Fuss
1	1	1			1	1	1			2	20			X59200	Morsettiera	Terminal board	Barrette de raccordement	Klemmleiste