



VM 350

LIST OF THE EXPLODED VIEWS



SHELL ASSY

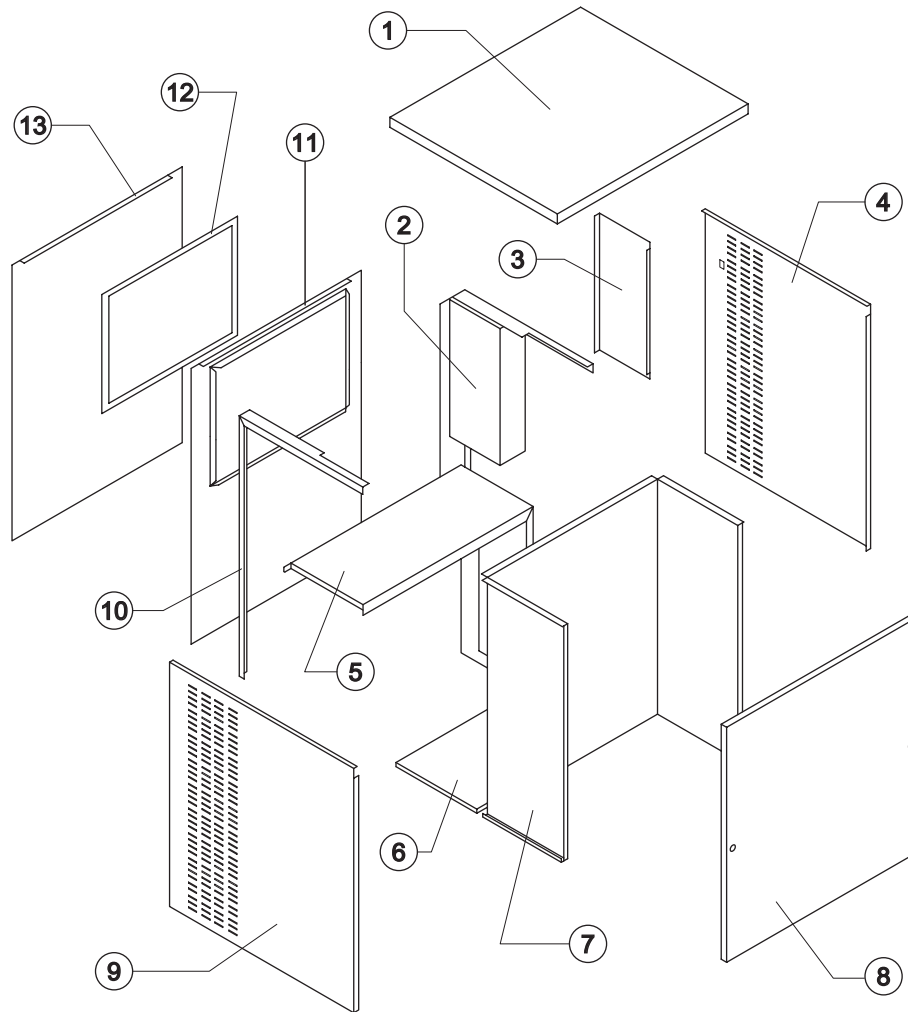
COOLING SYSTEM

HYDRAULIC CIRCUIT

SPRAYER PUMP

ELECTRICPARTS

Rev. 6 - 29/05/2006



Rev. 6 - 29/05/2006

Common Parts

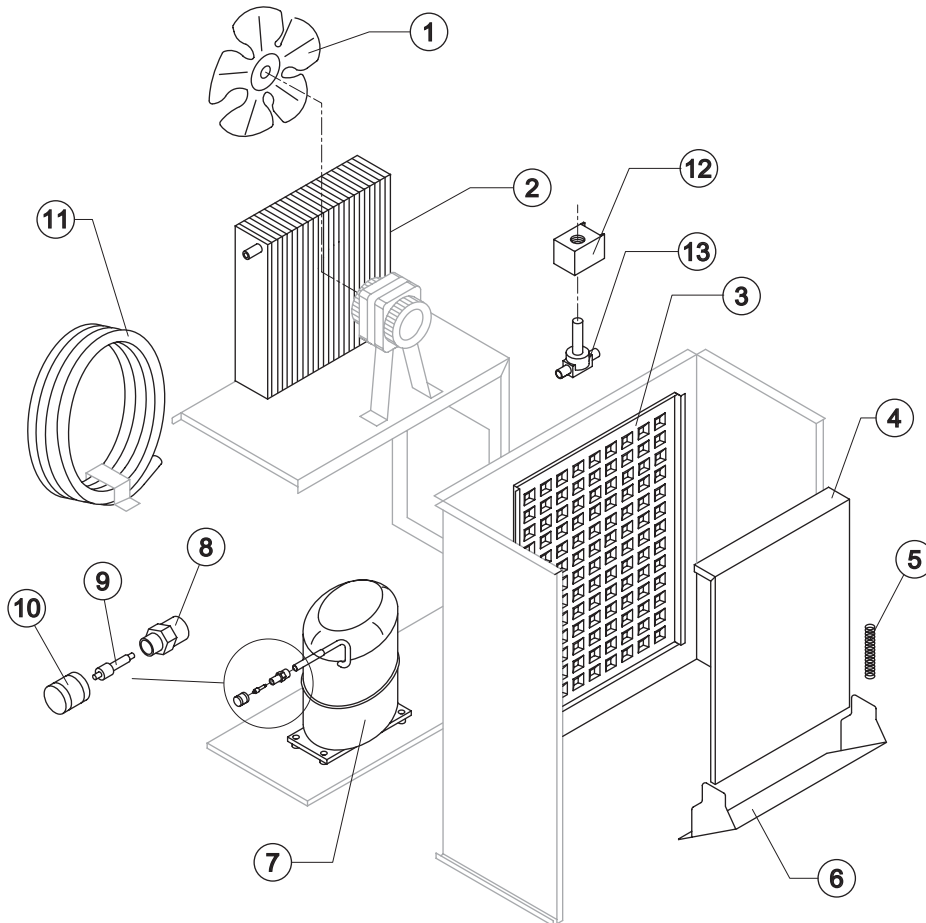
Ref.	Spare Description	Code
1	Top Assembly	C22796
2	Right Angle Bar	22839
3	Electrical Box Cover	Current Version 21323
3	Electrical Box Cover	Till s/n. 298777 21274
4	Right Side Panel	Current Version 22410
4	Right Side Panel	Till s/n. 298777 22794
5	Saddle	21273
6	Base Plate	22800
7	Evaporator Chamber	22797
8	Front Panel Assembly	C22792
9	Left Side Panel	22795
10	Left Angle Bar	22840

Parts for Air-Cooled Version Only

Ref.	Spare Description	Code
11	Rear Panel	21269
12	Filter	18163

Componenti Solo Versione Acqua

Ref.	Spare Description	Code
13	Rear Panel	21275



Common Parts

Ref.	Spare Description	Code
3	Evaporator	D10381
4	Evaporator Cover Panel	22798
5	Spring	20464
6	Horizontally Hinged Panel	22801
7	Compressor	Vedi Tabella -
8	Vaccum-Charge Valve Body	14007
9	Vaccum-Charge Valve Device	14005
10	Vaccum-Charge Valve Plug	14006
12	Hot Gas Valve Coil	Vedi Tabella -
13	Hot Gas Valve Body	20409

Parts for Air-Cooled Version Only

Ref.	Spare Description	Code
1	Sucking Fan	20407
1	Sucking Fan	Only 110/115V 60 Hz 20031
2	Air Condenser	Current Version 20690
2	Air Condenser	Till s/n. 200549 20426

Parts for Water-Cooled Version Only

Ref.	Spare Description	Code
11	Water Condenser	14081

Ref. 7 - Compressor

Tension	Code
220/240V 50 Hz	23438
220/230V 60 Hz	23593
110/115V 60 Hz	23586

Ref. 12 - Hot Gas Valve Coil

Tension	Code
220/240V 50 Hz	23091
220/230V 60 Hz	23091
110/115V 60 Hz	23256



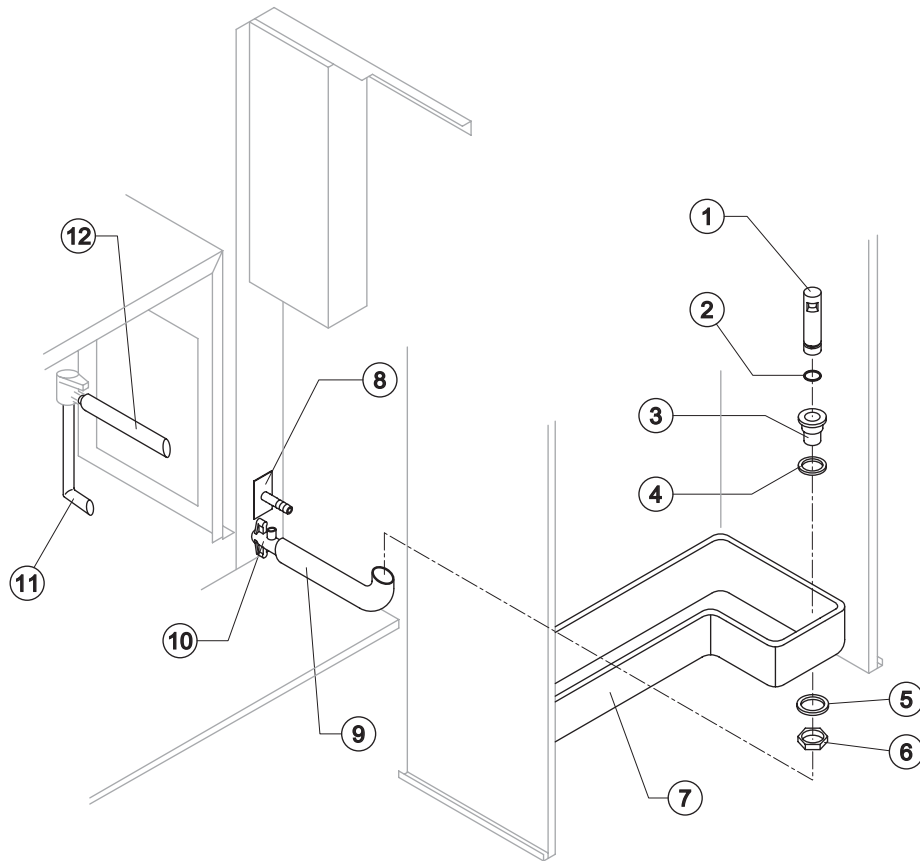
Common Parts

Ref.	Spare Description	Code
1	Overflow Pipe	10133
2	OR Gasket for Overflow Pipe	20233
3	Overflow Pipe Nipple	10471
4	Silicone Gasket	13006
5	Semirigid Polyethylene Gasket	13007
6	Bin Discharge Nut	10096
7	Water Basin	10355
9	Overflow Pipe Nipple	13120
10	Drain Nipple	10431
11	Discharge Valve Connection Pipe - Discharge	13040
12	Discharge Valve Connection Pipe ("T" Shaped)	13102

Parts for Water-Cooled Version Only

Ref.	Spare Description	Code
8	Connection with Plate	C20462

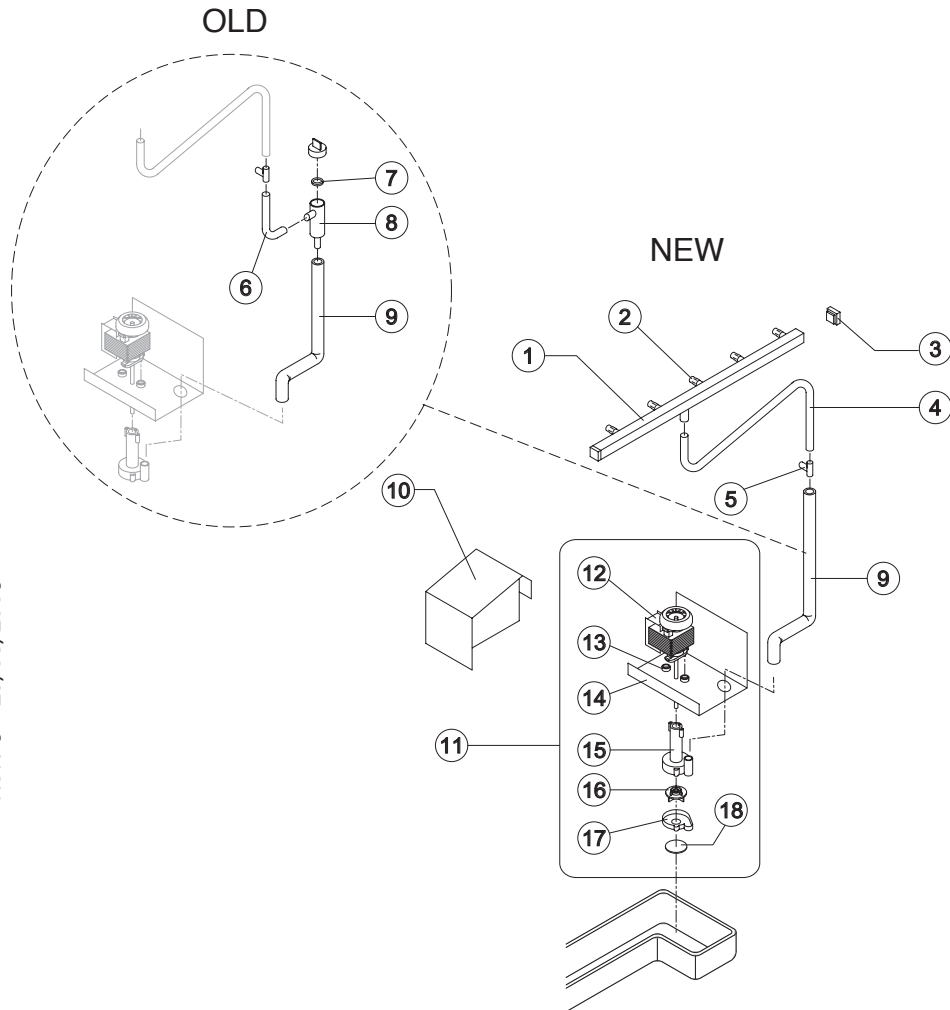
Rev. 6 - 29/05/2006





VM 350

SPRAYER PUMP



Ref.	Spare Description	Code
1	Sprayers Bar assembly	Current Version
1	Sprayers Bar assembly	Till s/n. 157539
2	Sprayer	D20002
3	Sprayers Bar Plug	10012
4	Sprinkler Bar Connection Pipe ("T" Shaped)	13134
5	Plastic "T" - 20	10082
6	Sprayers Feeding Pipe	13005
7	Pump Filter Gasket	13080
8	Pump Filter	10139
9	"T" - Pump Connection Pipe	Vedi Tabella
10	Protection Pump Panel	22804
11	Pump Assembly	Vedi Tabella
12	Pump	Vedi Tabella
13	Pump Motor Shim	20510
14	Pump Motor Support	22799
15	Pump Body	10065
16	Pump Impeller	10138
17	Diffusor	10067
18	Pump Filter	20518

Ref. 9 - "T" - Pump Connection Pipe

Version	Code
NEW	13113
OLD	13157

Ref. 11 - Pump Assembly

Tension	Code
220/240V 50 Hz	C23607
220/230V 60 Hz	C23616
110/115V 60 Hz	C23617

Ref. 12 - Pump

Tension	Code
220/240V 50 Hz	23073
220/230V 60 Hz	23187
110/115V 60 Hz	23188

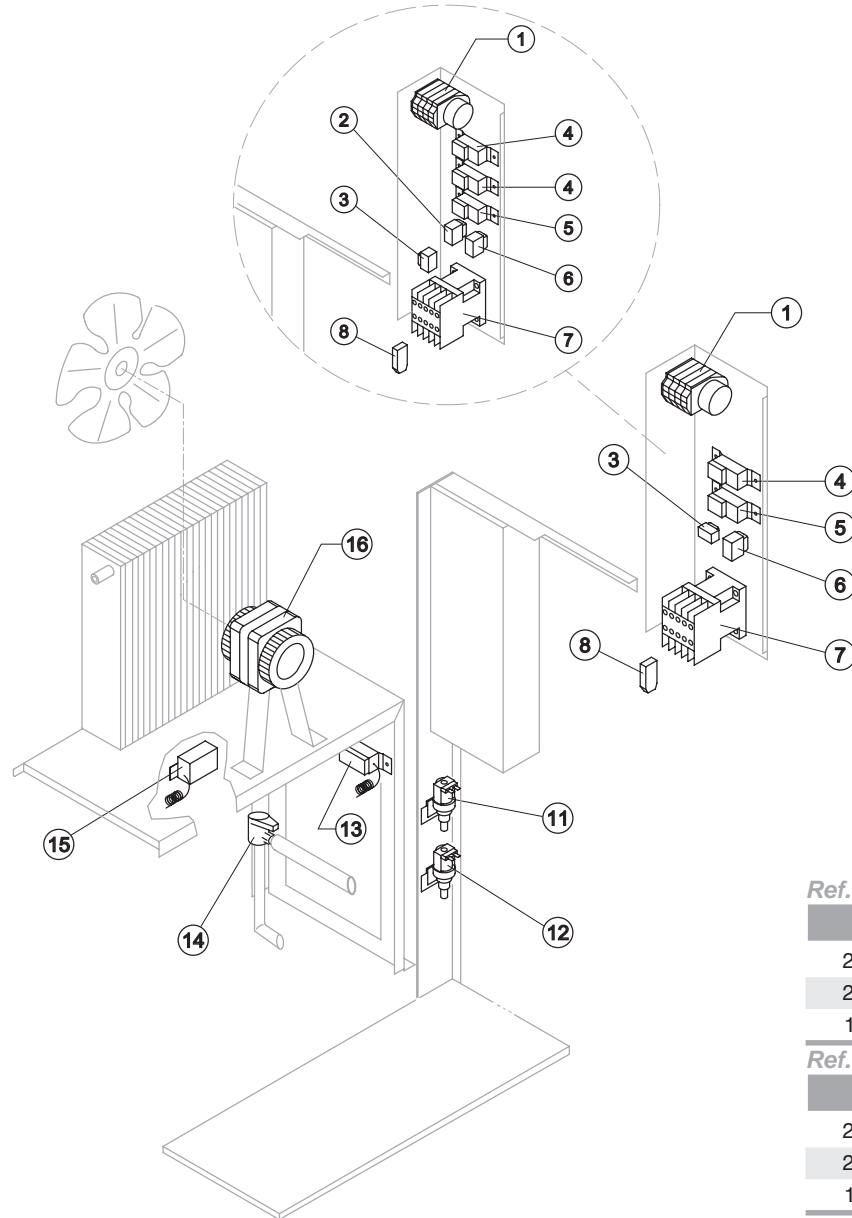
Rev. 6 - 29/05/2006



VM 350

ELECTRIC PARTS

Till s/n. 298777



Common Parts

Ref.	Spare Description	Code
1	Timer	See Table
2	Light Switch "Economy-Full"	Fino a Matr. 298777
3	"Cleaning" Switch	23619
4	Bin Thermostat	R23005
5	Evaporator Thermostat	R23597
6	Green Light Switch (On-Off)	23327
7	Contactore	See Table
12	1 Way- Water Inlet Valve	See Table
13	Condenser Pressure Switch	23175
14	Water Outlet Valve	See Table
15	Safety Pressure Switch	23342

Parts for Air-Cooled Version Only

Ref.	Spare Description	Code
8	Anti Radio Interference Filter	Only 220V 50 Hz
16	Fan Motor	See Table

Componenti Solo Versione Acqua

Ref.	Spare Description	Code
8	Anti Radio Interference Filter	Only 220V 50 Hz
11	1 Way- Water Inlet Valve	See Table

Ref. 1 - Timer

Tension	Code
220/240V 50 Hz	23635
220/230V 60 Hz	23632
110/115V 60 Hz	23636

Ref. 12 - 1 Way-Water Inlet Valve

Tension	Code
220/240V 50 Hz	23787
220/230V 60 Hz	23787
110/115V 60 Hz	23789

Ref. 7 - Contactore

Tension	Code
220/240V 50 Hz	23594
220/230V 60 Hz	23594
110/115V 60 Hz	23625

Ref. 14 - Outlet Water Valve

Tension	Code
220/240V 50 Hz	23537
220/230V 60 Hz	23537
110/115V 60 Hz	23637

Ref. 11 - 1 Way-Water Inlet Valve

Tension	Code
220/240V 50 Hz	23220
220/230V 60 Hz	23787
110/115V 60 Hz	23789

Ref. 16 - Fan Motor

Tension	Code
220/240V 50 Hz	23121
220/230V 60 Hz	23121
110/115V 60 Hz	23621

Rev. 6 - 29/05/2006