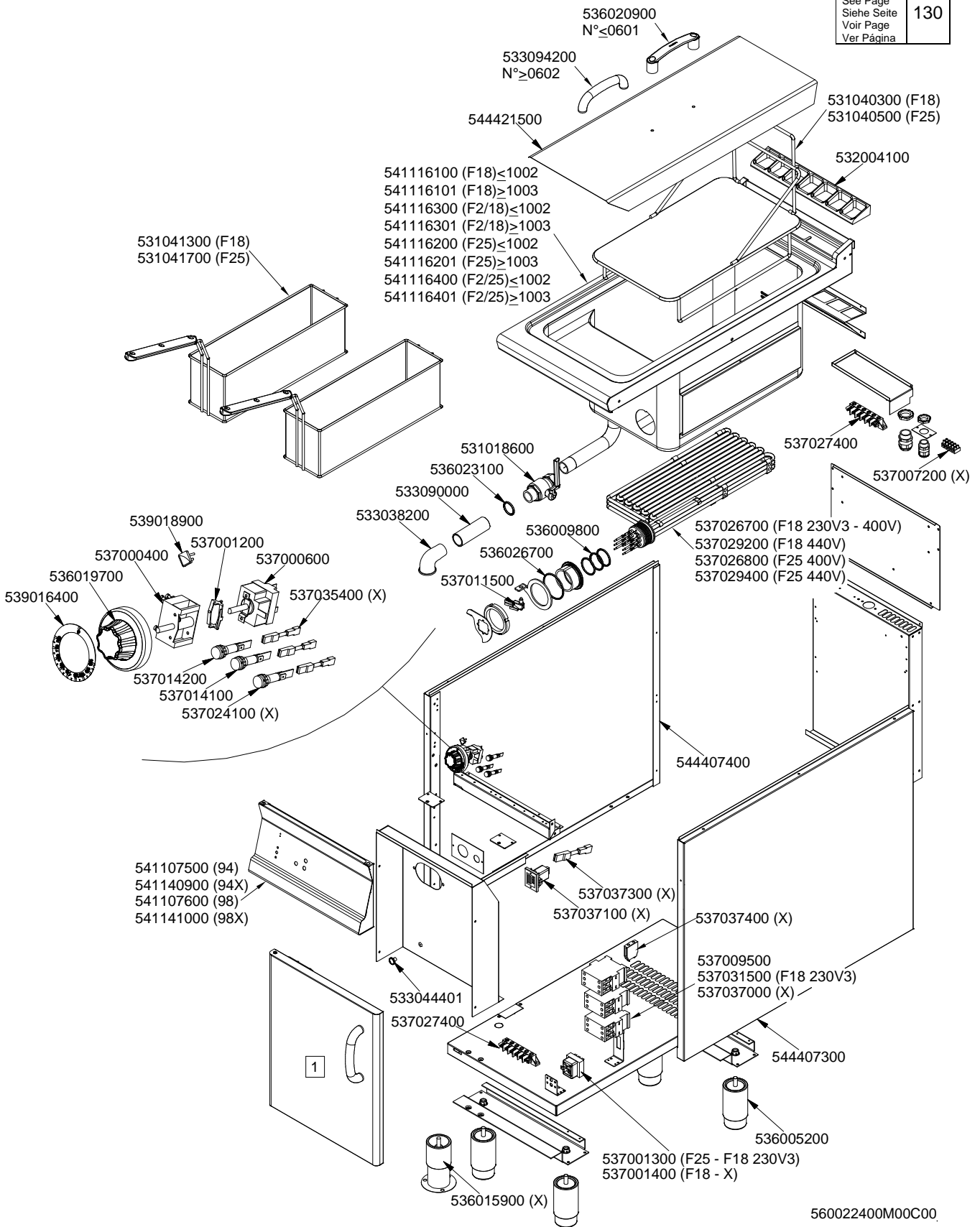


IPERLOTUS 90

ELETTRICO / ELECTRIC / ELEKTRO / ELECTRIQUE

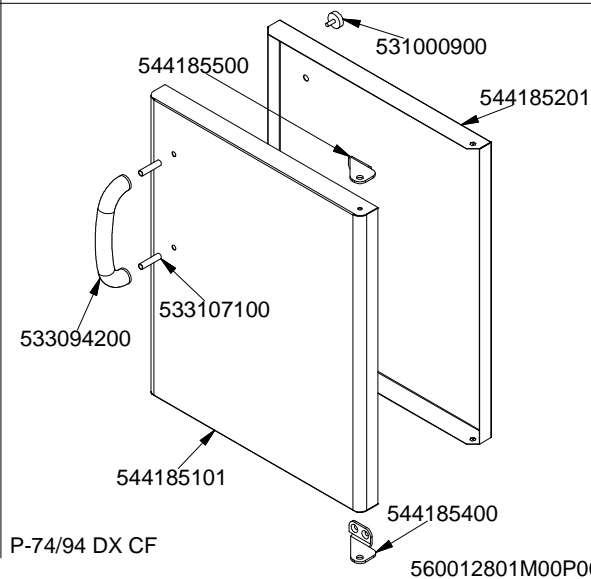
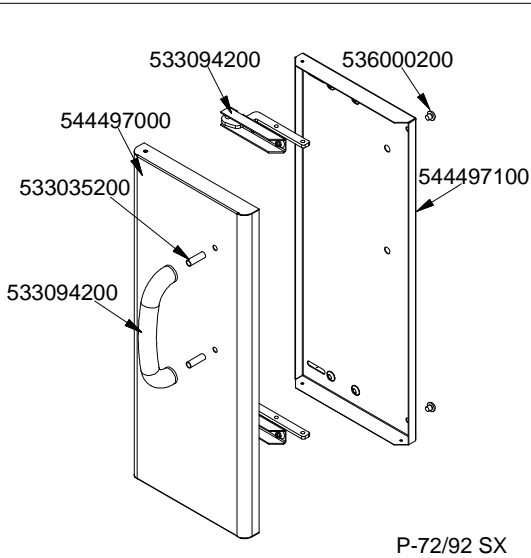
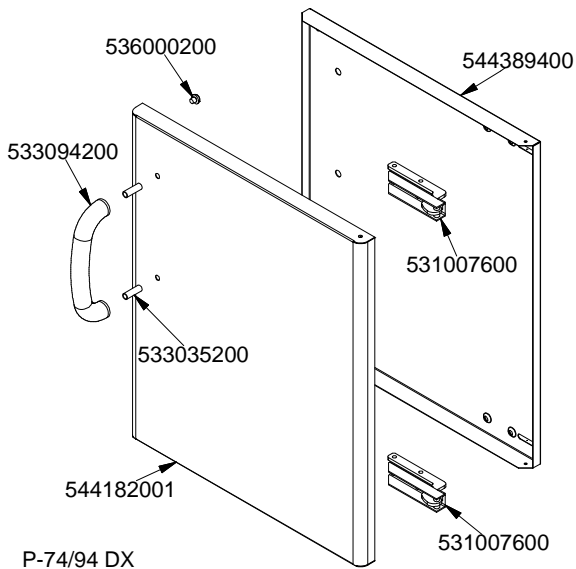
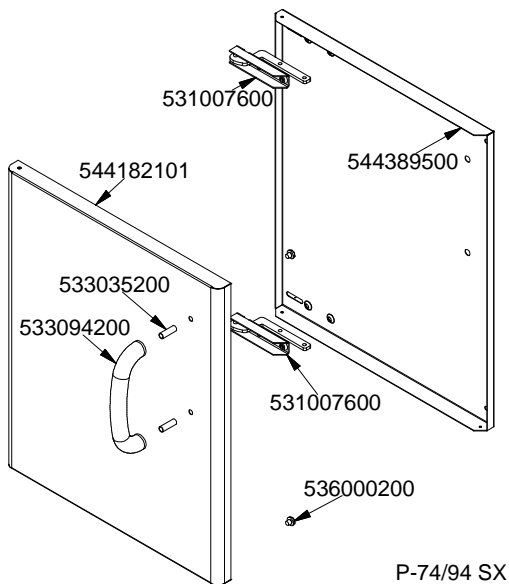
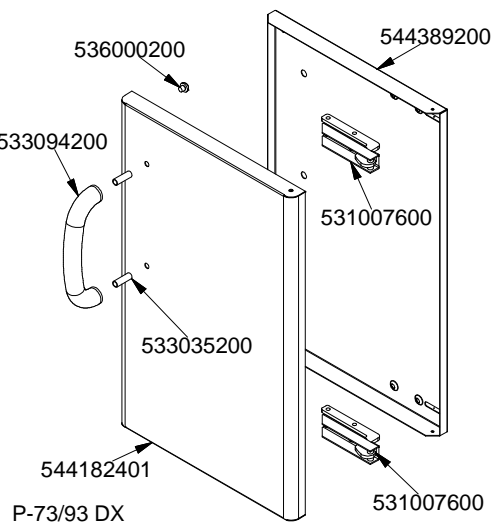
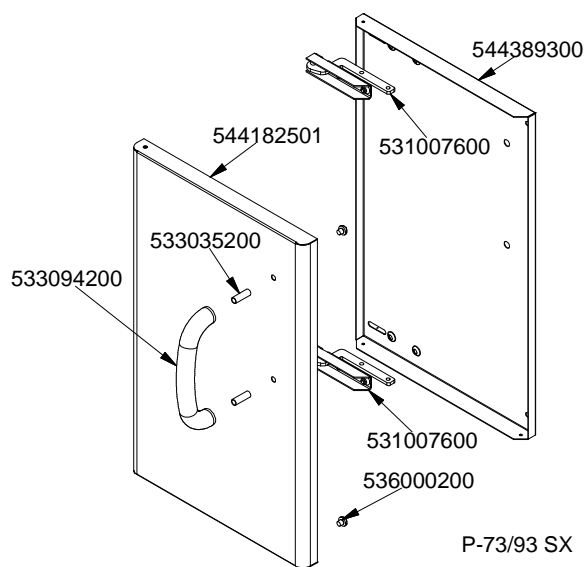
F18-94ET F2/18-98ET F25-94ET F2/25-98ET F18-94ETX F2/18-98ETX F25-94ETX F2/25-98ETX

1	
Vedi Pagina See Page Siehe Seite Voir Page Ver Pàgina	130



560022400M00C00

PORTE / DOORS / FLÜGELÜREN / PORTES N°≥0602



560012801M00P00

Page	Pos	Code	Description
001		533094200	S/S HANDLE FOR 70/90 SERIES
001		536020900	
001		537026700	HEATING EL.13500W 230V 3 ROTAT.EL.
001		531040300	TANK FILTER/BASKET SUPPORT F18-94E
001		531041300	BASKET FOR F18-94E 280X290X150
001		531018600	BALL VALVE 1"G M-F CPM-62G
001		536023100	O-RING GASKET 31,34X3,53 VITON
001		533090000	
001		544407400	LEFT SIDE PANEL 70 LINE
001		537027400	TERMINAL BLOCK THREEPHASE 40A
001		532004100	FLUE GRID L=370 70LINE (RAF)
001		544421500	
001		533044401	M8 THREADED CAP FOR SEC.THERMOSTAT
001		536005200	INOX LEG 2" 120-180 M10
001		544407300	RIGHT SIDE PANEL 90 LINE
001		537029200	HEATING EL. 13500W 440V 3 ROTAT.EL.
001		537037100	ACOUSTIC SIGNALLER 230VAC
001		537037400	NORM.CONTACT*CLOSED TELER.35A
001		537037300	HEATING ELEMENT 00003W 330KO
001		537007200	5POLES TERMINAL BLOCK PA 27 WP NY
001		541141000	CONTROL PANEL 607090 F2/13-78ETX
001		541107600	CONTROL PANEL F2/13/18-78E
001		537001300	SAFETY THERMOST.235°C SINGLEPH+NUT
001		537001400	SAFETY THERMOSTAT 235°C THREEPHASE
001		536015900	
001		537009500	REMOTE CONTROL SWITCH 3RT102 35A 23
001		537031500	REMOTE CONTROL SWITCH 3RT102 35A 23
001		537037000	REMOTE CONTROL SWITCH 35A 400VBOBIN
001		539016400	ADHESIVE GRADUATED DISC FOR KNOB
001		536019700	BLACK KNOB §70 PIN §6*5
001		537000400	COMMUTATOR 1POS.SINGLEPHASE S49 16A
001		539018900	INDEX FOR KNOB
001		537001200	FIXING BRACKET FOR THERMOSTAT/COMM.
001		537000600	THERMOSTAT 90-180°C SINGLEPHASE
001		537014200	GREEN WARNING LIGHT 250V
001		537014100	WHITE WARNING LIGHT 250V
001		537024100	RED WARNING LIGHT LOW BUD 110V
001		537035400	HEATING ELEMENT 00003W 330KO
001		533038200	1" G M-F ELBOW FITTING
001		537011500	MICRO-SWITCH 16A
001		536026700	GASKET O-RING 74,61X3,53 VITON
001		536009800	GASKET O-RING 47,22X3,53 VITON
001		541116300	UPPER PLATE F2/18-98E
001		541116301	UPPER PLATE F2/18-98E
002		544389300	
002		531007600	DOOR HINGE
002		544182501	LEFT DOOR 73
002		533035200	
002		533094200	S/S HANDLE FOR 70/90 SERIES
002		536000200	D.12 H.4 BUMPER
002		544182401	RIGHT DOOR 73

Page	Pos	Code	Description
002		544389200	
002		544182001	RIGHT DOOR 74
002		544389400	
002		544182101	LEFT DOOR 74
002		544389500	INNER-DOOR OF LHD 74
002		544497100	
002		544497000	
002		544185101	RIGHT DOOR 74 CF
002		544185400	LOWER DOOR HINGE FOR COMPARTME CF70
002		533107100	
002		544185500	UPPER DOOR HINGE FOR COMPARTME CF70
002		531000900	MAGNET §22 KG.3 WITH DISK
002		544185201	