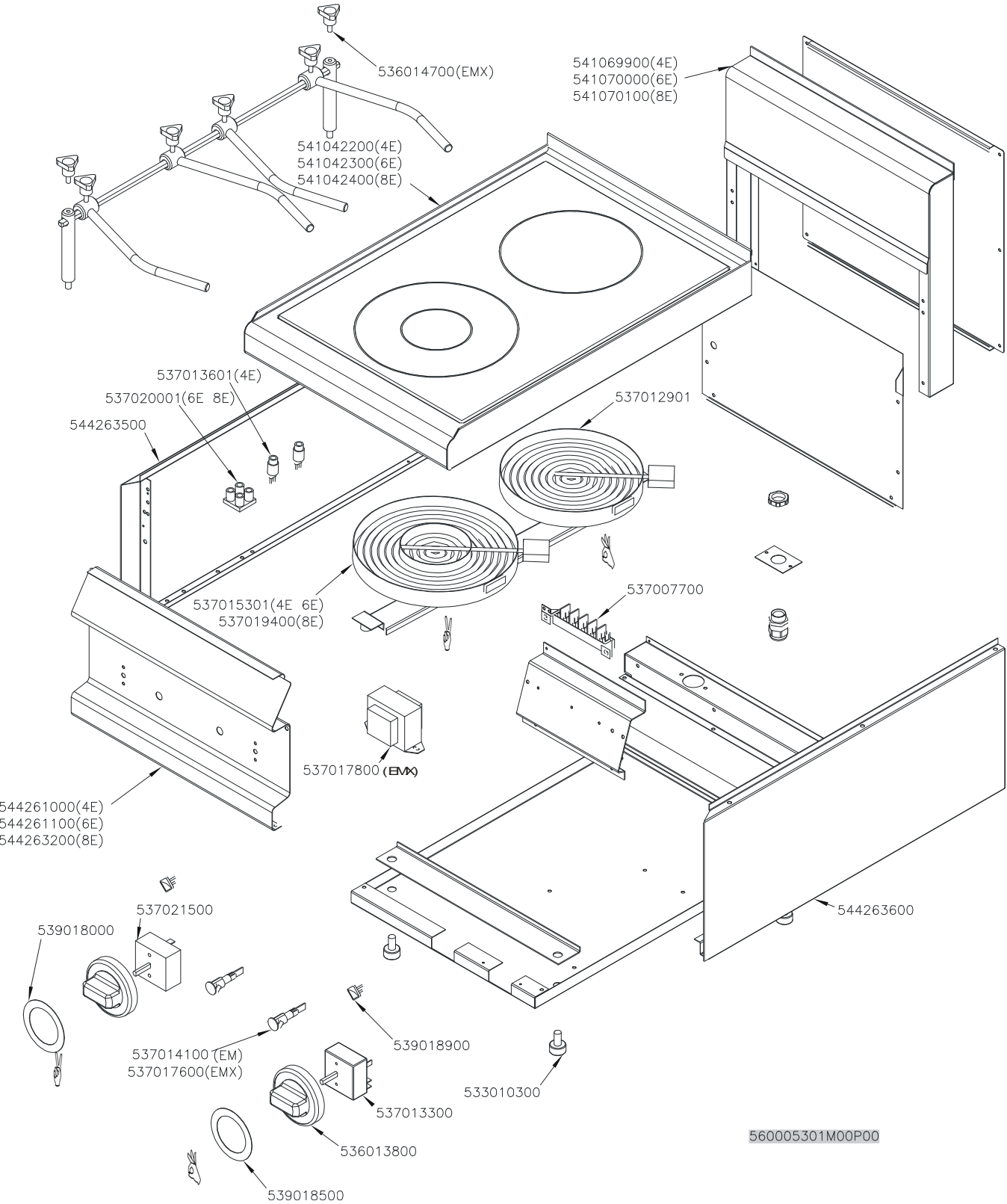


**MAGIC PROF 65**  
**ELETTRICO / ELECTRIC / ELEKTRO / ELECTRIQUE**

**PCC-4EM PCC-4ET PCC-6EM PCC-6ET PCC-8ET PCC-4EMX PCC-6EMX PCC-8EMX**  
**N°≥0302**



Page	Pos	Code	Description
001		536014700	3 DRILL WHEELS
001		541069900	NEUTRAL SPACER 4
001		541042200	
001		537013601	REMAINING HEAT WARN.LIGHT W/CABLES
001		544263500	RIGHT SIDE S.65
001		537012901	ELECTRICAL PLATE 1800W 230W PCC-65
001		537015301	EL. PLATE PCC D.230 700+1400W 230V
001		537007700	TERMINAL BLOCK THREEPHASE 40A
001		537017800	TRANSFORMER 230V/100V 10VA
001		544261000	CONTROL PANEL PC/C-4E
001		544263600	LEFT SIDE S.65
001		537021500	REGULATOR FOR EL.PLATE 2CIRC.230V
001		539018000	ADHESIVE GRAD.DISC 7POS.DOUBLE RED
001		537017600	WHITE WARNING LIGHT LOW BUD 110V
001		539018900	INDEX FOR KNOB
001		533010300	ADJUSTABLE FOOT M10*20 D.23
001		537013300	CURRENT REGULATOR FOR ELEC. PLATE
001		536013800	KNOB D.70 BLACK 6*5 WITH SPRING
001		539018500	ADHESIVE GRADUATED DISC FOR KNOB