

GBR8 / GBRVI8

GBR8 / GBRVI8

CATALOGO PARTI DI RICAMBIO
CATALOGUE PIECES DETACHEES
ERSATZTEILKATALOG
SPARE PARTS CATALOGUE





**Catalogo parti di ricambio valido
dalla matricola 0000001 (31.10.2006) ad oggi (09.01.2017)**

**Catalogue pieces detachees
valable à partir du numero de Série n. 0000001 (31.10.2006) jusqu'à aujourd'hui
(09.01.2017)**

**Ersatzteilkatalog
gültig ab Serien-Nr. 0000001 (31.10.2006) bis heute (09.01.2017)**

**Spare parts catalogue
valid from serial no. 0000001 (31.10.2006) up today (09.01.2017)**

**Catálogo de peças de reposição
válido do número de série 0000001 (31.10.2006) até hoje (09.01.2017)**

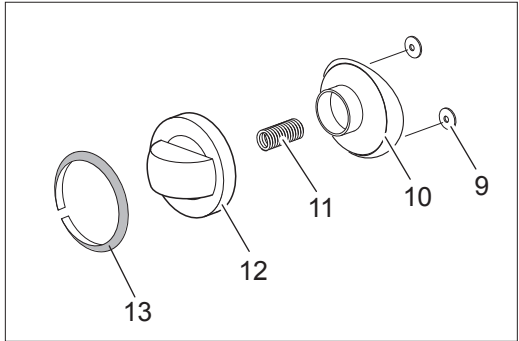
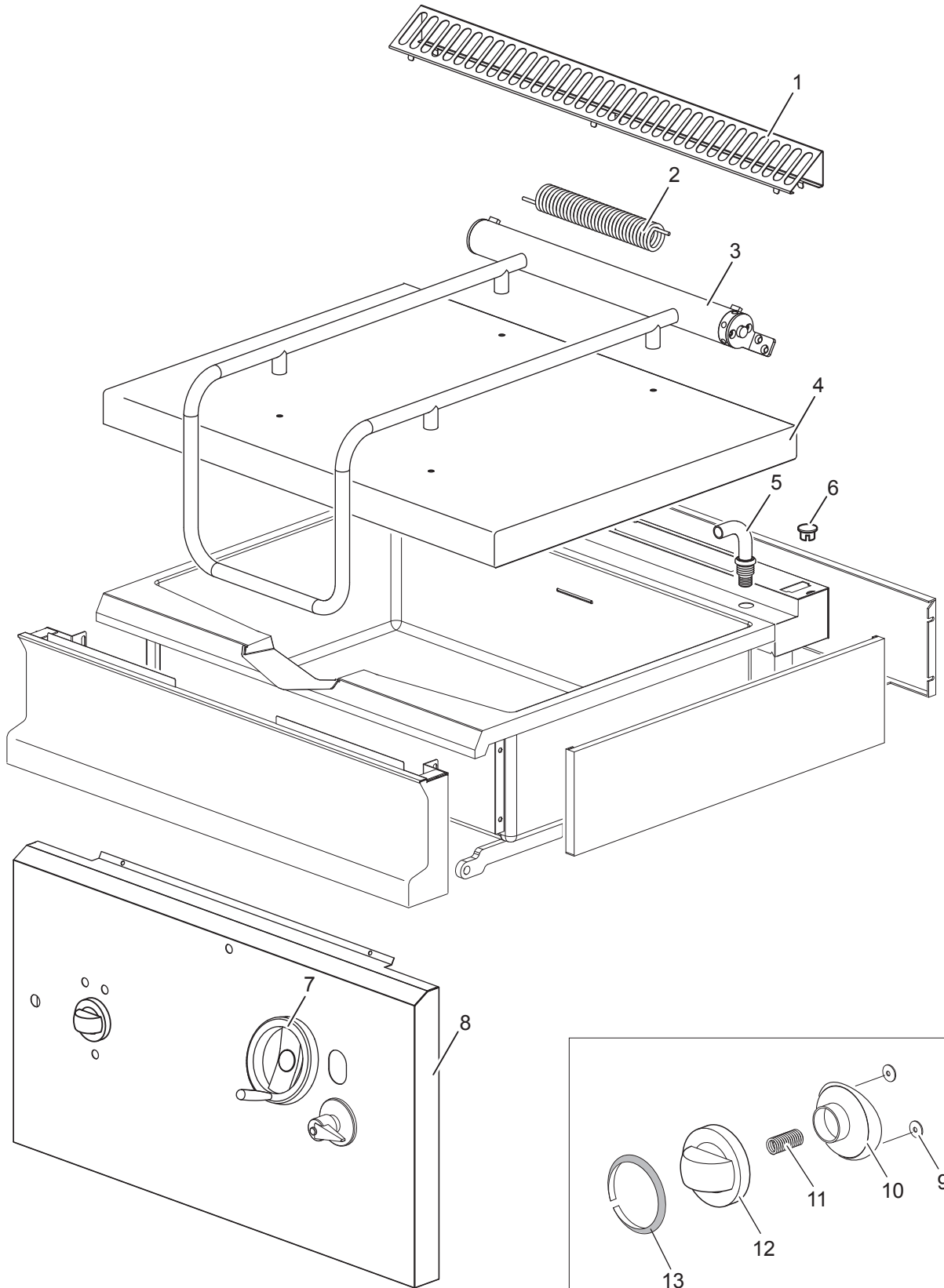
Le informazioni sono considerate non vincolanti. Le immagini rappresentate sono puramente indicative. Il produttore si riserva il diritto di apportare modifiche in qualsiasi momento senza preavviso.

Les informations données ne sont pas contraignantes. Les images montrées sont à titre indicatif. Le producteur se réserve le droit d'apporter des modifications sans préavis.

Die im vorliegenden Dokument aufgeführten Informationen und Bilder sind unverbindlich. Der Hersteller behält sich das Recht vor, jederzeit ohne vorherige Ankündigung Änderungen vorzunehmen

Info and drawing could be slightly different from reality and they cannot be considered as compelling. Manufacturer can modify info anytime without forewarning.

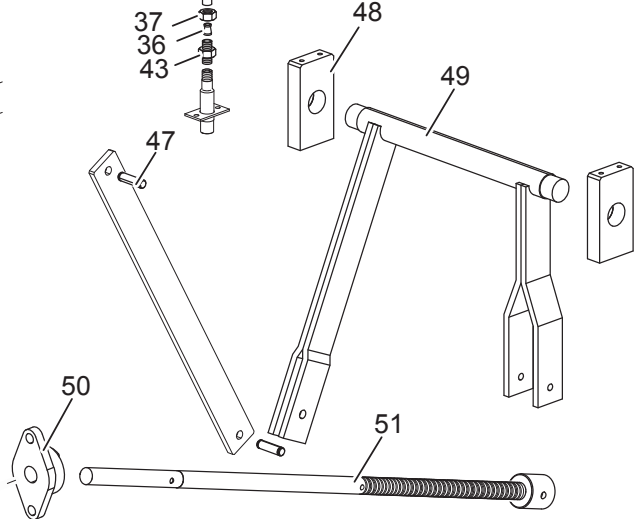
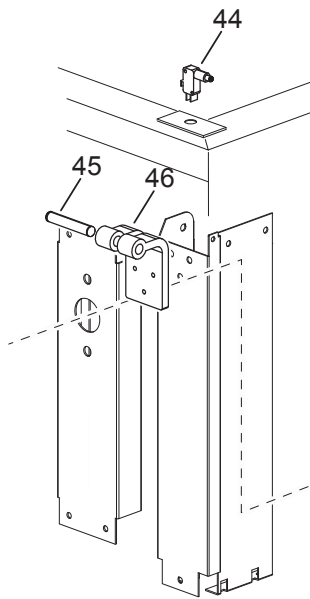
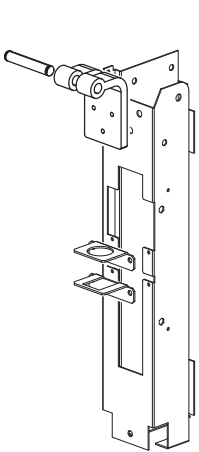
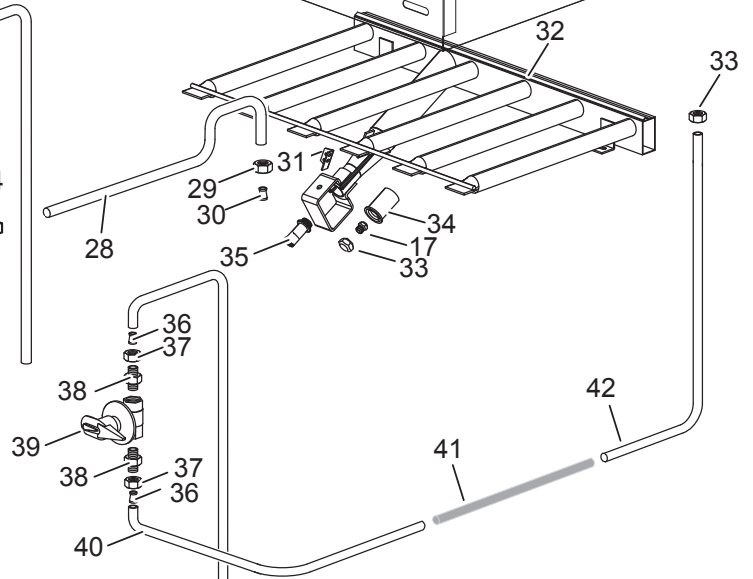
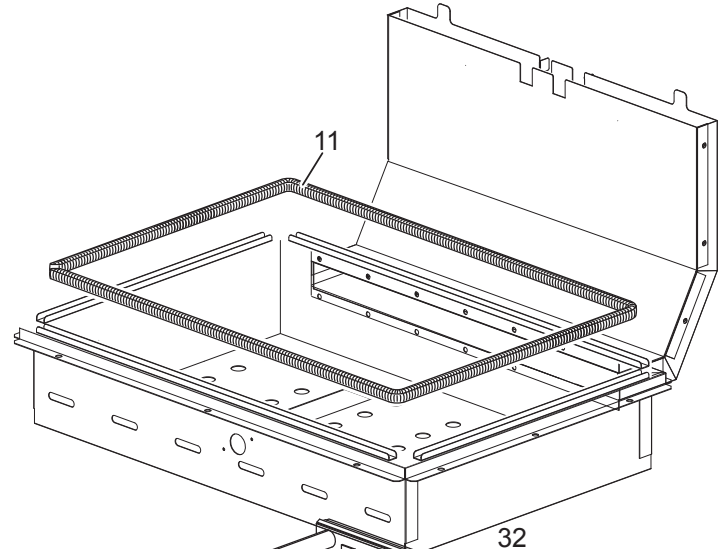
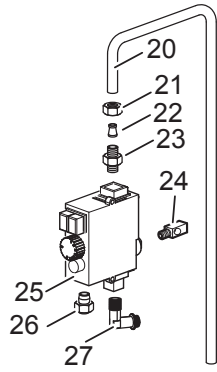
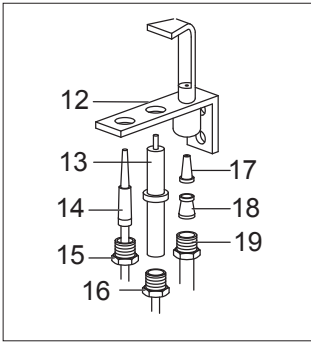
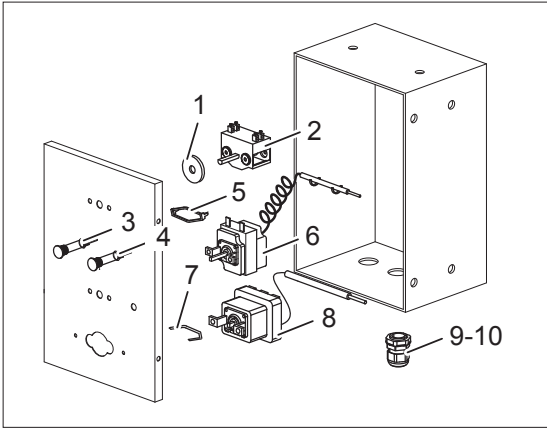
As Informações e desenhos podem estar um pouco diferente da realidade e são puramente indicativas. O fabricante pode modificar estas informações a qualquer momento sem aviso prévio.



Nr.	Code	Title	Recommended
1.	180968	<i>GRILLE POUR CHEMINÉE</i>	N
2.	RTBF800103	<i>RESSORT, CHARNIERE COUV.BRG/GBR</i>	S
3.	183278	<i>CHARNIERE COMPLETE</i>	N
4.	184297	<i>COVER</i>	N
5.	167439	<i>WATER EROGATOR</i>	N
7.	165900	<i>HANDWHEEL</i>	S
8.	183009	<i>FRONT PANEL</i>	N
12.	169340	<i>COMMUTATOR KNOB BODY E4F6H</i>	S
13.	169375	<i>EFT49 KNOVB LABEL</i>	S



Nr.	Code	Title	Recommended
1.	183006	<i>BACK SIDE</i>	N
2.	183008	<i>LATERAL SIDE</i>	N
3.	RTCU700277	<i>PIED+BOUCHON S.G4SF7/145</i>	N



Nr.	Code	Title	Recommended
1.	RTCU800185	JOINT BARRE COMMUTATEUR	S
2.	RTCU900110	COMMUTATEUR THERM.EF46 4921015300	S
3.	166465	LAMPE-TEMOIN VERT SL-CO27500	S
4.	166466	LAMPE-TEMOIN ORANGE SL-CO27500	S
5.	RTCU900112	ETRIER, HAUT COMM/THERM 617079	S
6.	RTCU700085	THERMOST.EL.EBR7 5519062802	S
7.	PABF900217	PLATE	N
8.	RTBF800076	THERMOST.LIM.GBR/T360 5510572803	S
9.	RTBF800138	CABLE PG21 53015050+D53019050C	N
10.	RTBF700021	CABLE PG16 53015040+D53019040	N
11.	163292	ISOL.TRESSE CHAMBRE COMB.GFT117	N
12.	RTCP800034	CORPS PILOTE G100 0140026	S
13.	RTCP800033	BOUGIE D'ALLUMAGE RONDE G100 CAST0772183	S
14.	RTCU900474	THERMOCOUPLE 75 0290087/TARGET	S
15.	RTCP800038	RACCORD T/C.PIL.GC47 0974036	S
16.	RTCU900215	RACCORD CAND.TUYAU DE VIDANGE ST.0974037	S
17.	INIETTORE	SEE HANDBOOK NOZZLES	N
18.	RTCU800183	BICONE D.6 G4SF 0957010	S
19.	RTCU800182	ECROU ALL.D.6 G4SF 0958047	S
20.	183010	MAIN PIPELINE	N
21.	RTCP800022	ECROU ROB.23S D16/09073 G100	N
22.	RTCP800023	BICONE ROB.23S D16/0960 G100	N
23.	170334	NIPPLE 1/2"	N
24.	RTCP800073	RACCORD COUP.T/C.ROB.CUVE 0974402	N
25.	RTFOC00095	CORPS SOUP.FGC060/B035/0820011	S
26.	RTCU900217	BICONE+RACC.D.6 0958031	N
27.	RTBF800140	CRANK	N
28.	180259	TUBE DE DISTRIBUTION BRÛLEUR	N
29.	RTBF800015	ECROU D.14 ART.181 GBR	N
30.	RTBF800137	BICONE D.14 ART.182 GBR	N
31.	PACU701022	BRACKET, PILOT GBR7	N
32.	RTBF900098	BRUL.GBR/BRG 18196213001	N
33.	RTCP800013	NUT 1/2"	N

34.	166428	AIR REGULATOR BURNER	N
35.	RTCP800012	INJECTOR SUPPORT FOR GBR	N
36.	RTCU900012	BICONE D.10	N
37.	RTCU900013	ECROU D.10	N
38.	RTCU900132	NIPPLE 1/2"- 3/8"	N
39.	RTCU600075	ROB.CHARGE. EAU GC66 1320	S
40.	182824	ALIMENTATION PIPE FOR WATER TAP	N
41.	165791	1110SILR09	N
42.	183011	ALIMENTATION PIPE FOR WATER EROGATOR	N
43.	RTCU900103	NIPPLE 3/8"GALV.	
44.	175286	MICROSWITCH -UL-	N
45.	RTCU700503	FRONT HINGE PIN	N
46.	174580	FRONT HINGE	
47.	RTBF900096	EXTENSION FIXING PIN	N
48.	RTCU700512	SUPPORT DE BASCULEUR	N
49.	RTCU700509	BASCULEUR	N
50.	RTCU700504	SUPP.OSCILL.GBR7 UCFL204	N
51.	182078	TILTER SCREW + SLEEVE	N