

cookmax+



start!

Kühlung Büfett-Element, gekühlte Platte mit, mit Untergestell

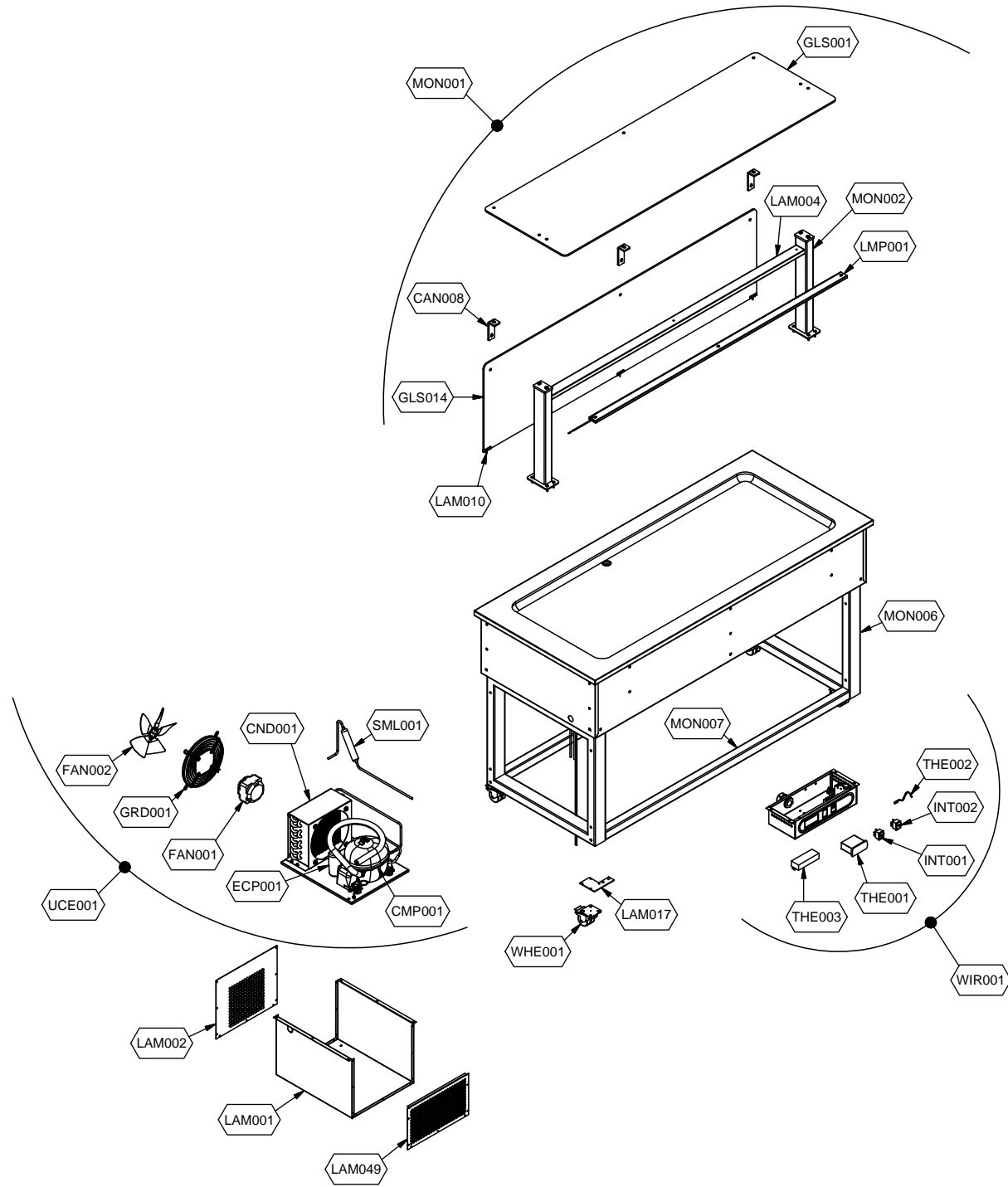
Artikel-Nr.

90651097 (9BESS3FIF0A92 / SOUL SERVICE STAND LIME 3)

Explosionszeichnung / Ersatzteile

Bitte bei Ersatzteilbestellung immer Artikelnummer und Seriennummer mit angeben!

	PARAM.	OPTIONAL
⚡		
SCE001	TAR001	OPT



Exploded View

Validity: 08/04/2016

9BESS3FIF0A92	ESSENCE 3I PIANO REF.STAT S.LED.FRO NO R
ESP354	SERVICE-STAND LIME INCORPORATO

Ref. Drawing	Code	Description
CAN008	74702120	FISSACRIST.SQUADRA PLEXIGLASS
CMP001	74865722	COMPR. EMT6152GK CSIR 230V/50HZ R404A
CND001	74837032	CONDENS. 8TX3R 230*210*110 FIJI 4/1
ECP001	74867008	PARTI ELETTR.COMPR.EMT6152GK CSIR
FAN001	74848151	VENT.10W 230V L=1500 FISSAGGIO GRIGLIA E
FAN002	74848156	PALA.ASP.DIAM.200\34°
GLS001	72538782	CAPPOT.VETRO SOVR.LIGHT 3-1 DROP-IN SPEC
GLS014	72538772	VETRO FRONT.SOVR.LIGHT 3-1 DROP-IN SPEC
GRD001	74845144	GRIGLIA FE.A CESTELLO PER PALA 200-34°
INT001	74742008	INT.NERO ON-OFF 16A SH JS-608FA-O-B-6
INT002	74742017	INTERR.ARANC.LAMP 16A B418C1H1X0000 MOLV
LAM001	72539510	LAM.SUPP.UCE BA
LAM002	72539512	GRIGLIA AERAZIONE BA POST.DROP-IN
LAM004	72539082	LAM.PLAFONIER.SOVRASTR.LIGHT 3-1 DROP-IN
LAM010	72557114	LAM.SUP.VETRO FRONT.\LATER. VRX TT
LAM017	72539674	LAM.UNIONE GAMBA+TRAVERSO DROP-IN
LAM049	72539514	GRIGLIA AERAZIONE BA ANT.DROP-IN
LMP001	72539042	LAMPADA A LED SOVRAS.LIGHT 3-1 DROP-IN
MON001	73668702	ASS.SOVR.+FRONT.LIGHT DROP-IN 3-1
MON002	72539070	MONTANTE SOVRASTRUTTURA LIGHT DROP-IN
MON006	72539680	TELAIO GAMBA DROP-IN
MON007	72539692	TRAVERSO TELAIIO GAMBA 3/1 DROP-IN
SCE001	SC850	SCHEMA ELETTRICO DROP-IN REFRIG.
SML001	73670236	ASS.FILTRO UCE FIJI QUADRO 4-1
TAR001	RIF.TAR.B06	PARAMETRI DROPIN & BUFFET LIME
THE001	74700881	CENTR.PYAO1C0522-BZ 230V H/C
THE002	74700916	SONDA NTC IKE 3METRI -50/+105°

Ref. Drawing	Code	Description
THE003	74700892	ALIMENTATORE LAMPADA LED MW LPHC18-350MA
UCE001	74861322	UCE EMT6152GK R404A DROP-IN 3-4/1
WHE001	74708011	RUOTA GEMELLATA DIAM. 50MM POLIAMMIDE
WIR001	73669900	ASS.Q.E REF.STAT.DROP-IN