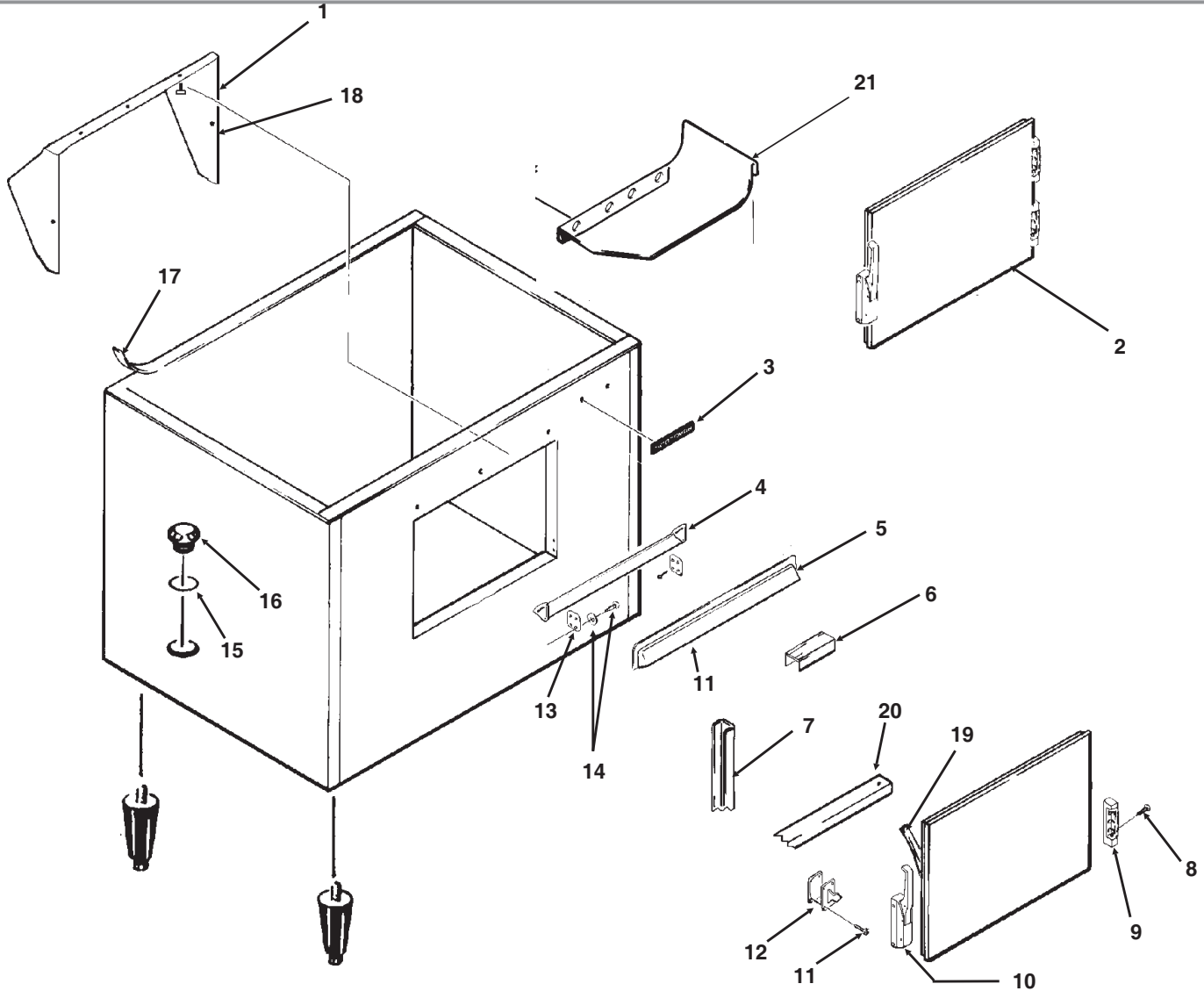


Bins, Condensers, and Accessories Service Parts

B90/BX87



ITEM NUMBER	PART NUMBER	DESCRIPTION			
1	A15114-000	Baffle	9	02-2658-03	Hinge
2	A18300-013	Complete Door-brown		02-2658-04	Hinge Cover
	A18300-032	Complete door, gray	10	02-2658-01	Latch
	A18300-010	Complete Door, sandalwood.	11	02-1285-00	Screw, into door
	A18300-002	Complete door, SS	12	03-1419-28	Screw, into cabinet
	02-1000-00	Plastic door liner	13	02-2658-02	Strike
3	15-0711-01	Emblem for sandalwood	14	A25929-001	Spill door hinge
	15-0808-01	Emblem for gray	15	A17302-000	Button storage
4	A17342-000	Spill Door		03-1403-15	Screw
5	no number	Awning	16	13-0617-11	O-ring
6	no number	Door Trim Cap	17	02-2809-01	Drain top
7	A25931-001	Door Trim side	18	19-0503-04	Foam tape
8	03-1285-00	Screw, into door	19	03-0727-01	Thumb screw
	03-1419-28	Screw, into cabinet	20	13-0264-00	Door gasket
			21	A25932-001	Door trim
				A26449-001	Cube chute