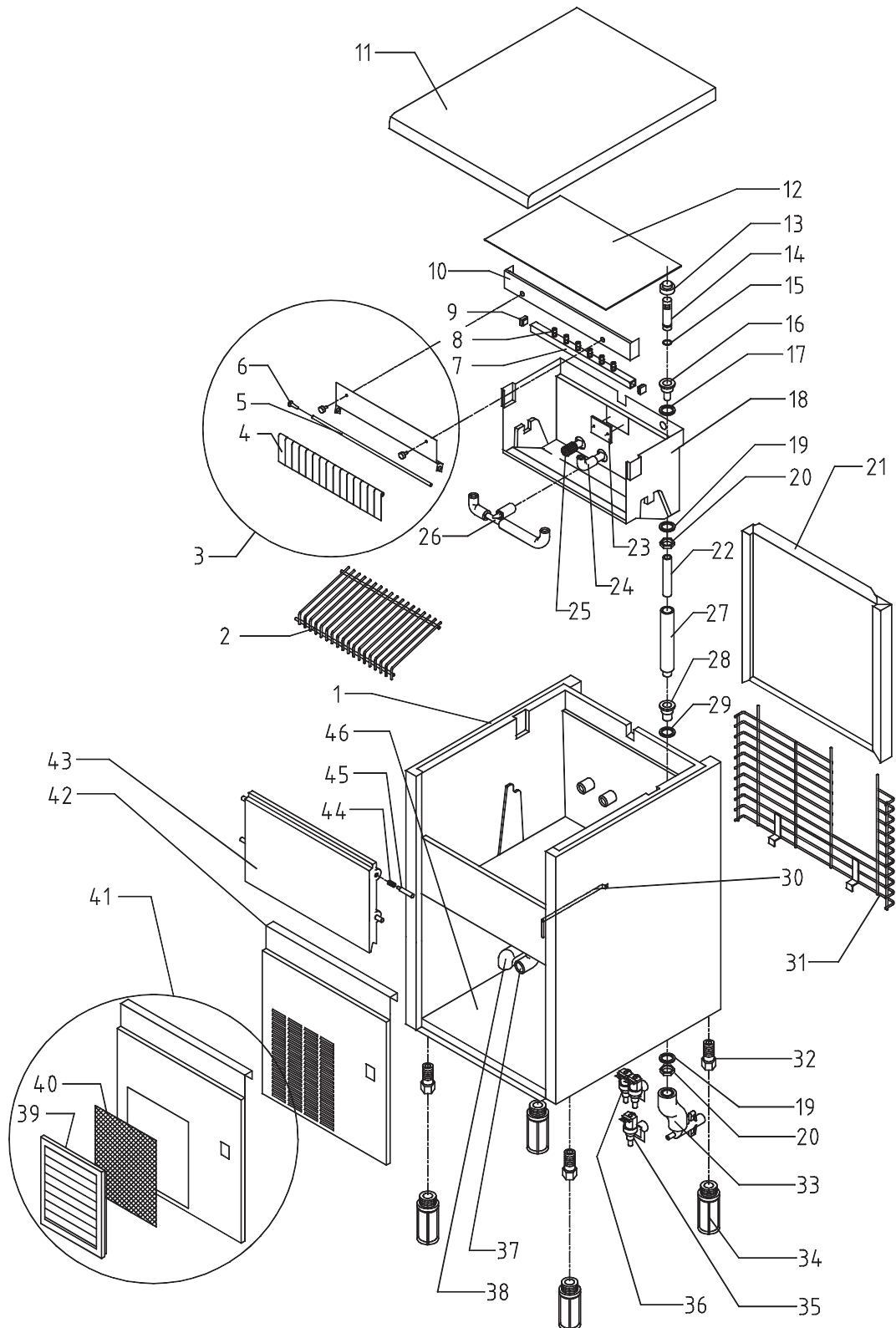


Shell assembly + Hydraulic circuit Mod. CB246-249-316-416-425-640-840-955-1265-1565 A/W



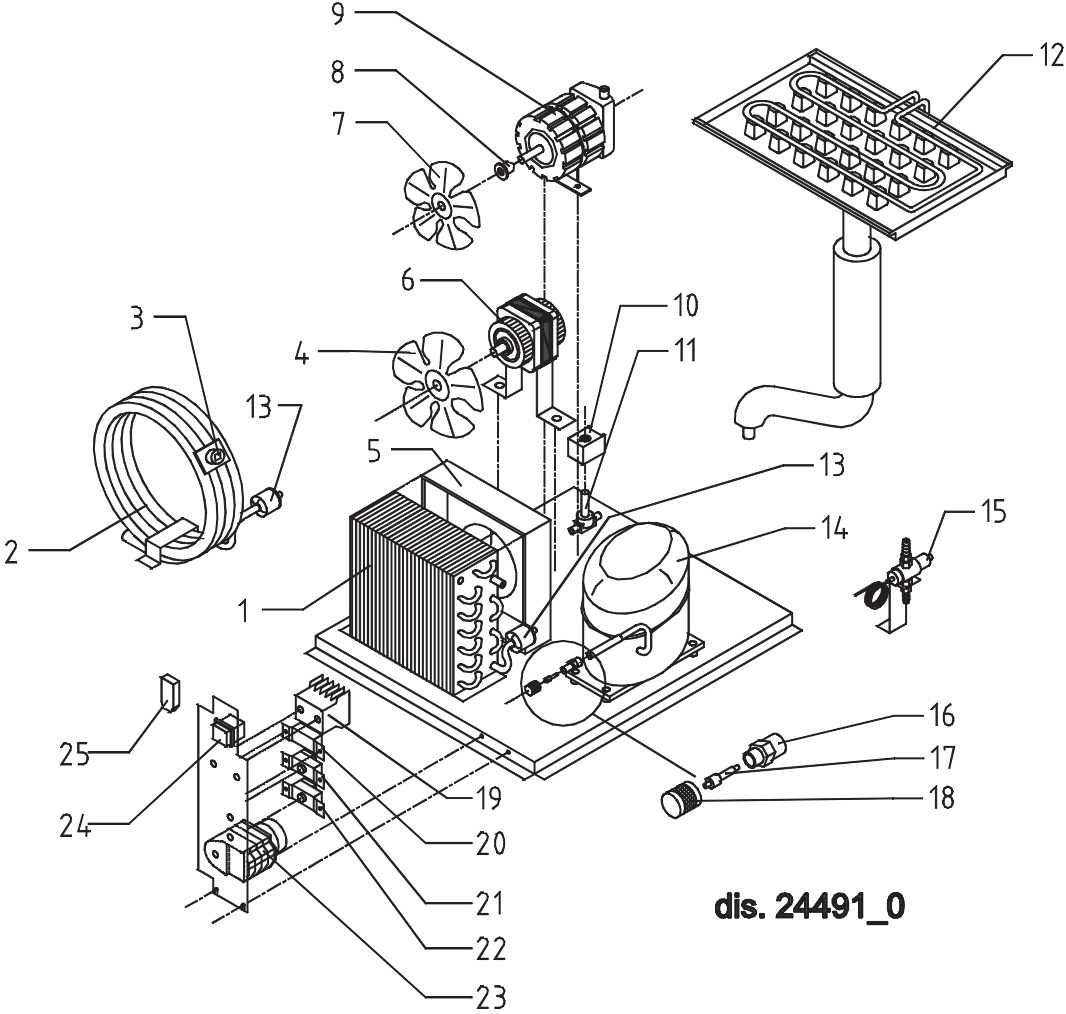
dis. 24489_1

Shell assembly + Hydraulic circuit Mod. CB1265 A/W – (TAB. 11)

Ref.	Description	Refrigerant	A/W	Tension	Code
1	Foamed cabinet assy				C11086
2	Ice cubes slide				D12022
3	Flags support assy				C22134
4	Flag				10005
5	Flags rod				12023
6	Flags rod clip				10010
7	Sprayers bar assembly				C20144
8	Sprayer				D20002
9	Sprayers bar plug				10012
10	Evaporator holder				22079
11	Top assembly				C22688
12	Evaporator cover				10058
13	Overflow cap				10305
14	Overflow tube				10133
15	Or gasket for overflow pipe				20233
16	Overflow pipe nipple				10241
17	Silicone gasket				13006
18	Inner basin				10055
19	Semirigid polyethylene gasket				13007
20	Bin discharge nut				10096
21	Back panel assembly				C21209
22	Overflow pipe				13107
23	Slide keep plate				10009
25	Pump suction filter				20005
26	Sprayers bar pipe connection assy				C13036
27	Overflow-discharge connection pipe				10256
28	Plastic nipple water outlet				10007
29	Silicone gasket				13006
30	Bulbe thermostat tube				20521
31	Back grid				D12021
33	Discharges manifold		A		C10006
33	Discharges manifold		W		C26452
34	Foot h.100 mm				10040
35	Inlet watervalve 1 way		A	1-2	23108
35	Inlet watervalve 1 way		A	3	23281
36	Inlet water valve 2 ways		W	1-2	23157
36	Inlet water valve 2 ways		W	3	23282
37	Pump suction pipe				13096
38	Pump delivery pipe				13095
39	Grid+frame				C10205
40	Filtering panel				18106
41	Front grid panel				C22564
43	Door				10275
44	Door pin spring				20499
45	Door pin				10269
46	Base plate				C21210

Note: 13. Code 10305 from number 62566.
14. Code 13094 until number 62565. Code 10133 from number 62566.
15. Code 20233 from number 62566.
22. Code 13094 until number 62565. Code 13107 from number 62566.
27. Code 22088 until number 62565. Code 10256 from number 62566.
30. Code 20062 until number 94922. Code 20521 from number 94923.

Cooling system assembly Mod. CB640-840-955-1265-1565 A/W



dis. 24491_0

Cooling system assembly Mod. CB1265 A/W – (TAB. 21)

Ref.	Description	Refrigerant	A/W	Tension	Code
1	Air condenser		A		20264
2	Water condenser		W		14034
3	Safety thermostat		W		C23114
4	Suction fan 254/31°		A		20031
4	Suction impeller		W		10213
5	Air condenser conveyor		A		10163
6	Lower fan motor		A	1	23067
6	Lower fan motor		A	2	23580
6	Fan motor		A	3	23393
6	Fan motor		W	1-2	23029
6	Fan motor		W	3	23265
7	Suction impeller				10213
8	Hub+washer+screw				10014
9	Pump motor			1-2	23068
9	Pump			3	23264
10	Hot gas coil			1-2	23091
10	Hot gas coil			3	23256
11	Hot gas valve body				20409
12	Evaporator				D10214
13	Solid core drier				14089
14	Compressor			1	23440
14	Compressor			2	23465
14	Compressor			3	23554
16	Vacuum- charge valve body				14007
17	Vacuum-charge valve device				14005
18	Vacuum-charge valve plug				14006
19	Contacto			3	23595
20	Condenser pressure switch				23175
21	Bin thermostat				23005
22	Evaporator thermostat				23591
23	Timer			1	23222
23	Timer			2	23248
23	Timer			3	23259
24	Green light switch				23327
25	Anti radio interference filter		A	1	23459
25	Anti radio interference filter		W	1	23457