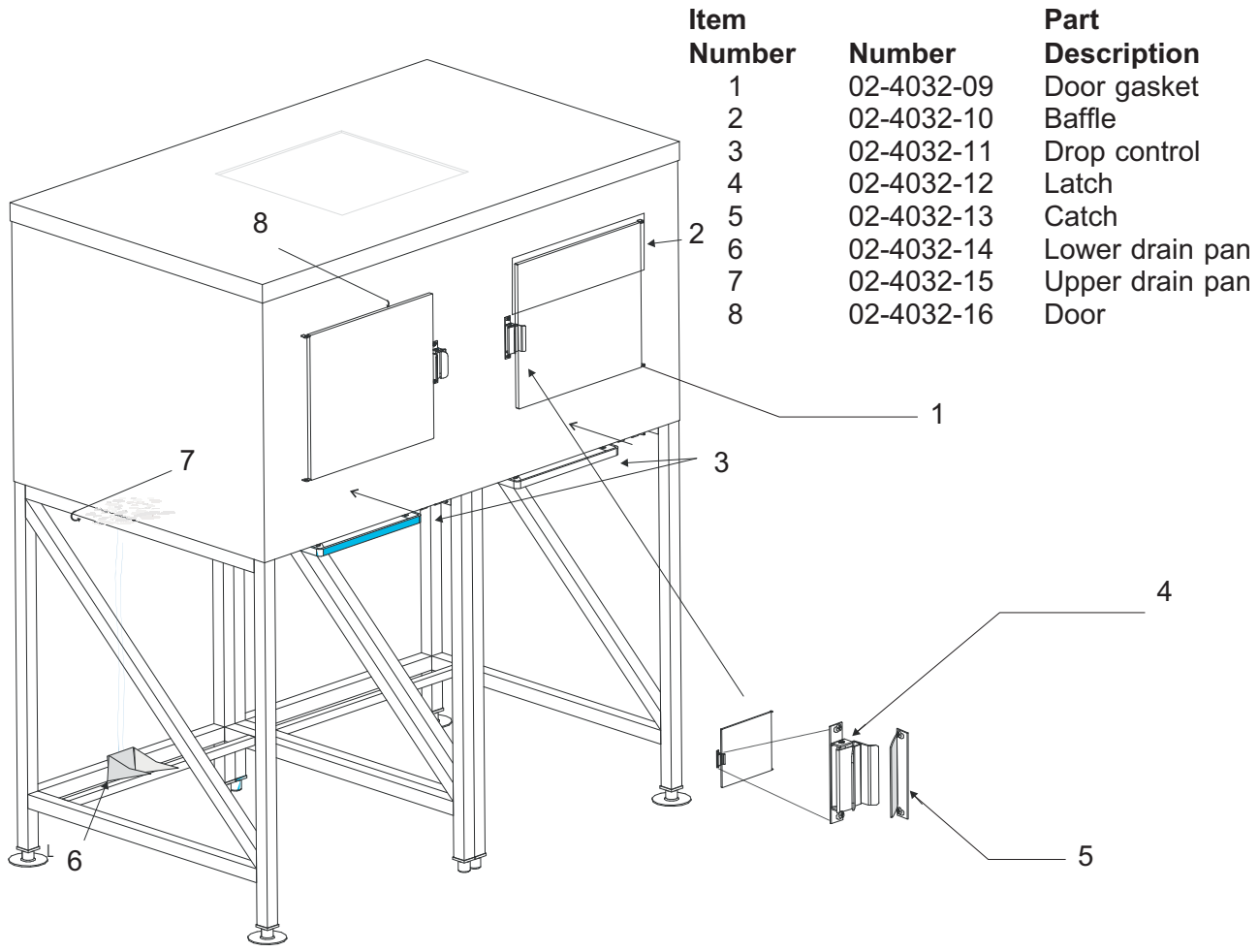


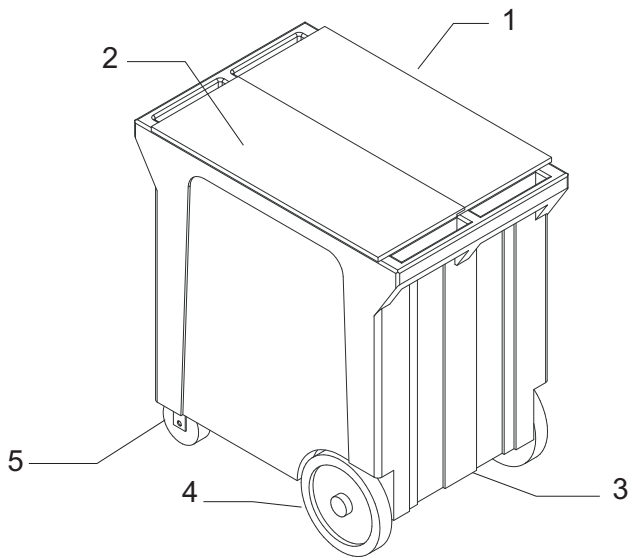
Bins, Condensers, and Accessories

Service Parts

Ice Cart Systems (ICS1, ICS2, ICS3)



Item Number	Number	Part Description
1	02-4032-09	Door gasket
2	02-4032-10	Baffle
3	02-4032-11	Drop control
4	02-4032-12	Latch
5	02-4032-13	Catch
6	02-4032-14	Lower drain pan
7	02-4032-15	Upper drain pan
8	02-4032-16	Door



Item Number	Number	Part Description
1	02-4032-01	Hinge Bracket
2	02-4032-02	Lid set
3	02-4032-03	Drain knob
4	02-4032-04	Rear wheel
	02-4032-05	Valve & rod
	02-4032-06	Axle & hardware
5	02-4032-07	Swivel caster, no brake
	02-4032-08	Swivel caster w/brake