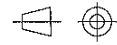


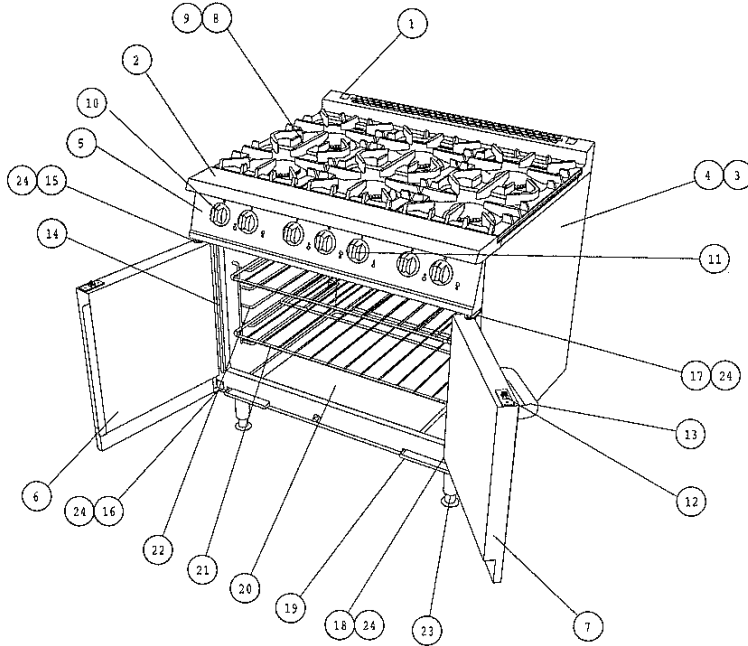
IF IN DOUBT ASK!!

DO NOT SCALE !!
First Angle Projection



G2101EU OT FITMENTS

Part No	Spares No	Description
1	535480046	Rear Hob Rail
2	535480047	Front Hob Rail
3	535200000	Outer Side Panel - LH
4	535200001	Outer Side Panel - RH
5	535200002	Control Panel
6	535200003	L/H Door Assy
7	535200004	R/H Door Assy
8	535400130	Pan Support (Paint)
9	535400140	Pan Support (Enamel)
10	535400010	Control Knob (hob)
11	535480052	Control Knob (Oven)
12	535480054	Door Catch
13	535480055	Door Handle
14	535200005	Door Seal
15	535200006	Top Door Hinge -LH
16	535200007	Bottom Door Hinge -LH
17	535200008	Top Door Hinge -RH
18	535200009	Bottom Door Hinge -RH
19	535200010	Oven Drip Tray
20	535200011	Oven Bottom Plate
21	535480064	Oven Shelf
22	535200012	Oven Shelf Hanger
23	535480067	Adjustable Leg
24	535480077	Door Hinge Bush
25	535200013	Door Catch Keeper (Not Shown)



All dimensions in millimetres, Tolerance- Linear $\pm 0.5\text{mm}$ Angular $\pm 0.5^\circ$ (or as stated). All sharp edges to be removed from sheet metal parts.

Issue	Mod No.	Alteration	Zone	Drawn by	Date

This part is common to the following units

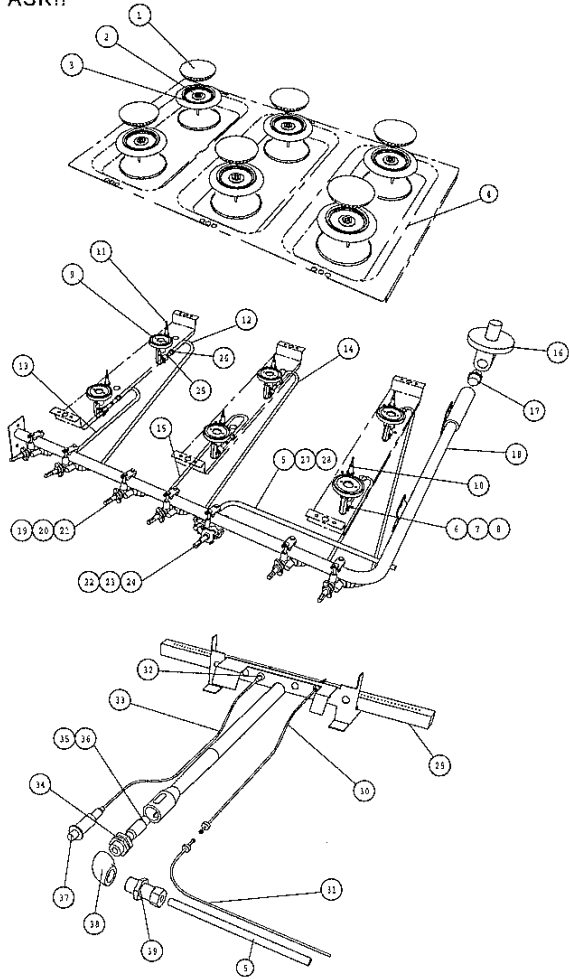
PREPARED FOR PRODUCTION



Drawn	I. HAMILTON	Product	G2101EU OT RANGE	
Date	02-02-07	Title	SPARES DIAGRAM - FITMENTS	
Scale	N.T.S	Drawing Number	AA45383	
Matl.		Issue		
No. off		Kraus No.		

Falcon Foodservice Equipment. Wallace View Hillfoots Road Stirling Scotland

IF IN DOUBT ASK!!

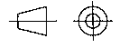


G2101EU OT CONTROLS

Part No	Spares No	Description
1	535480006	Burner Cap
2	535400070	Burner Venturi
3	535400060	Burner Base
4	535400150	Hob Panel
5	535480082	Oven Feed Pipe
6	535400090	Injector Holder c/w Nat Inj(Boost)
7	535480009	OT Boost Injector (Nat) 1.95
8	535480010	OT Boost Injector (Prop) 1.2
9	535400100	Lock Nut - Injector Holder
10	535480011	OT Thermocouple - Short
11	535480012	OT Thermocouple - Long
12	535400050	Burner Pipe - Rear Outer
13	535400040	Burner Pipe - Front Outer
14	535400030	Burner Pipe -Rear Middle
15	535400020	Burner Pipe -Front Middle
16	535480015	Governor
17	535480016	"3/4"" Fitting"
18	535480017	Float Rail
19	535480020	Open Top Burner Control
20	535480021	Nat Gas By-pass Screw 0.84
21	535480022	Propane By-pass Screw 0.5
22	535400110	Oven Thermostat
23	535480023	Nat Gas By-pass Screw 0.85
24	535480024	Propane By-pass screw 0.55
25	535480027	Olive For Tap Pipes
27	535480029	Olive For T/stat
28	535480030	Tube Nut For T/stat
29	535480031	Oven Burner
30	535400180	Oven Thermocouple
31	535400120	Extention Thermocouple
32	535480033	Oven Ignition Electrode
33	535480034	Oven Ignition Lead
34	535480035	Injector Adaptor
35	535480036	Oven Burner Injector (Nat) 2.3
36	535480037	Oven Burner Injector (Prop)
37	535480040	Oven Igniter
38	535480041	Elbow For Injector Adaptor
39	535480042	Oven Pipe Coupling

DO NOT SCALE !!

First Angle Projection



Conversion Kit - Nat Gas to Propane - 535200014
 Conversion Kit - Propane to Nat Gas - 535200015

All dimensions in millimetres, Tolerance- Linear $\pm 0.5\text{mm}$ Angular $\pm 0.5^\circ$ (or as stated). All sharp edges to be removed from sheet metal parts.

Drawn	I. HAMILTON	Product	G2101EU OT RANGE	
Date	05-02-07	Title	SPARES DIAGRAM - CONTROLS	
Scale	N.T.S			
Matl.		Drawing Number	AA45384	
No. off		Finish		
Bin. No.		Kraus No.		

Issue	Mod No.	Alteration	Zone	Drawn by	Date

This part is common to the following units

© No reproduction or publication of this drawing may be made and no article may be manufactured or assembled in accordance with this drawing without prior written consent. This drawing is a property of any contract relating to this drawing. Rights reserved under the Copyright Act 1988 as amended by the Design Copyright Act 1988.

PREPARED FOR PRODUCTION

Falcon Foodservice Equipment. Wallace View Hillfoots Road Stirling Scotland