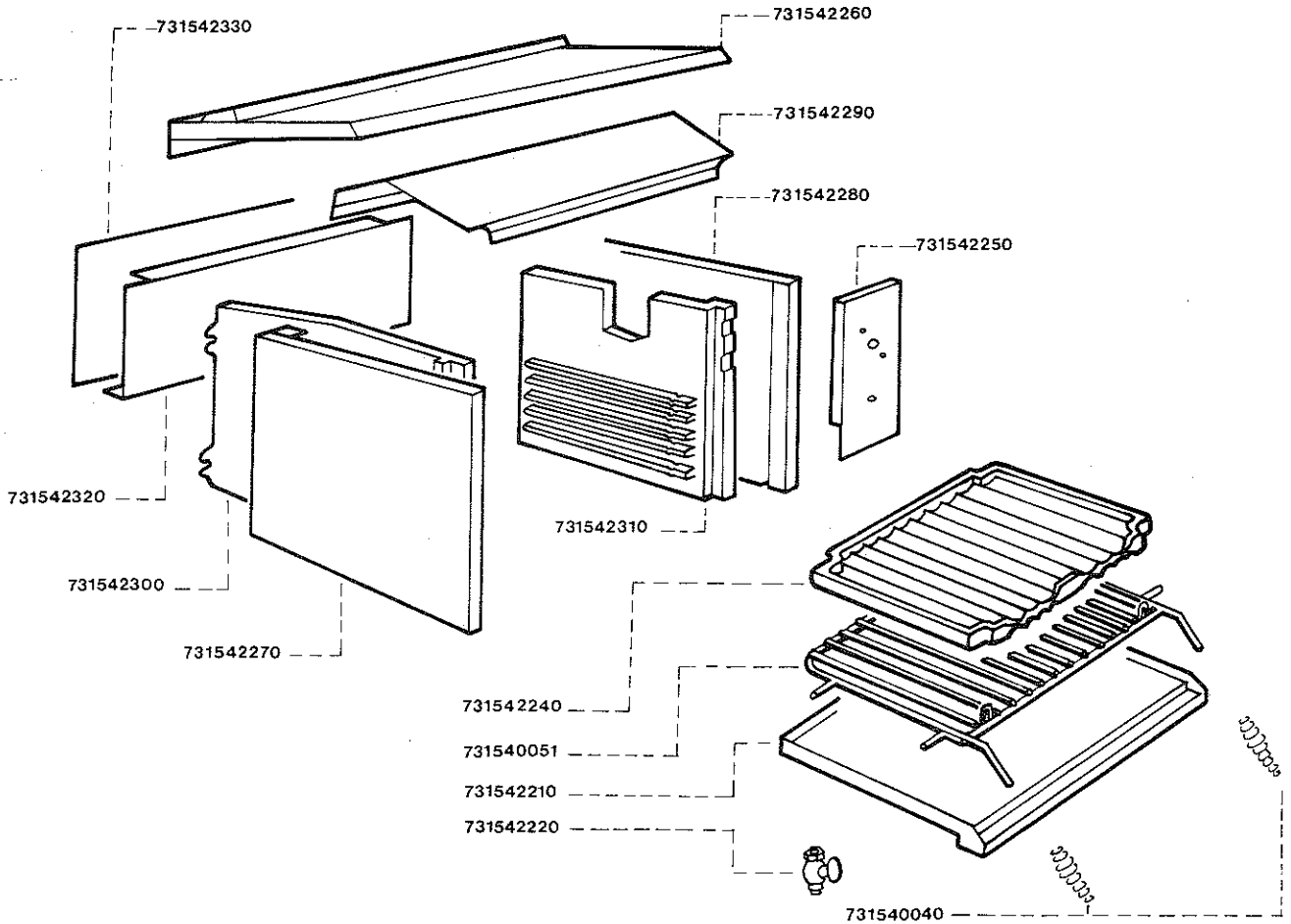


E1512 STEAKHOUSE GRILL

GRILL FITMENTS



Code No.	Description
3B 731540040	Handle for Grid/Carrier.
7F 731540051	Grid/Carrier Wire only.
10F 731540110	Grid/Carrier c/w handles (not illustrated).
12F 731542210	Drip Tray.
5D 731542220	Drain Cock.
10G 731542230	Drip Tray complete (not illustrated).
10G 731542240	Brander.
11C 731542250	Control Panel.
12G 731542260	Outer Top Panel.
3E 731542270	Outer Side Panel — Left Hand.
6E 731542280	Outer Side Panel — Right Hand.
3E 731542290	Reflector Plate.
7E 731542300	Inner Side Panel — Left Hand.
10E 731542310	Inner Side Panel — Right Hand.
6E 731542320	Inner Back Panel.
1E 731542330	Outer Back Panel.

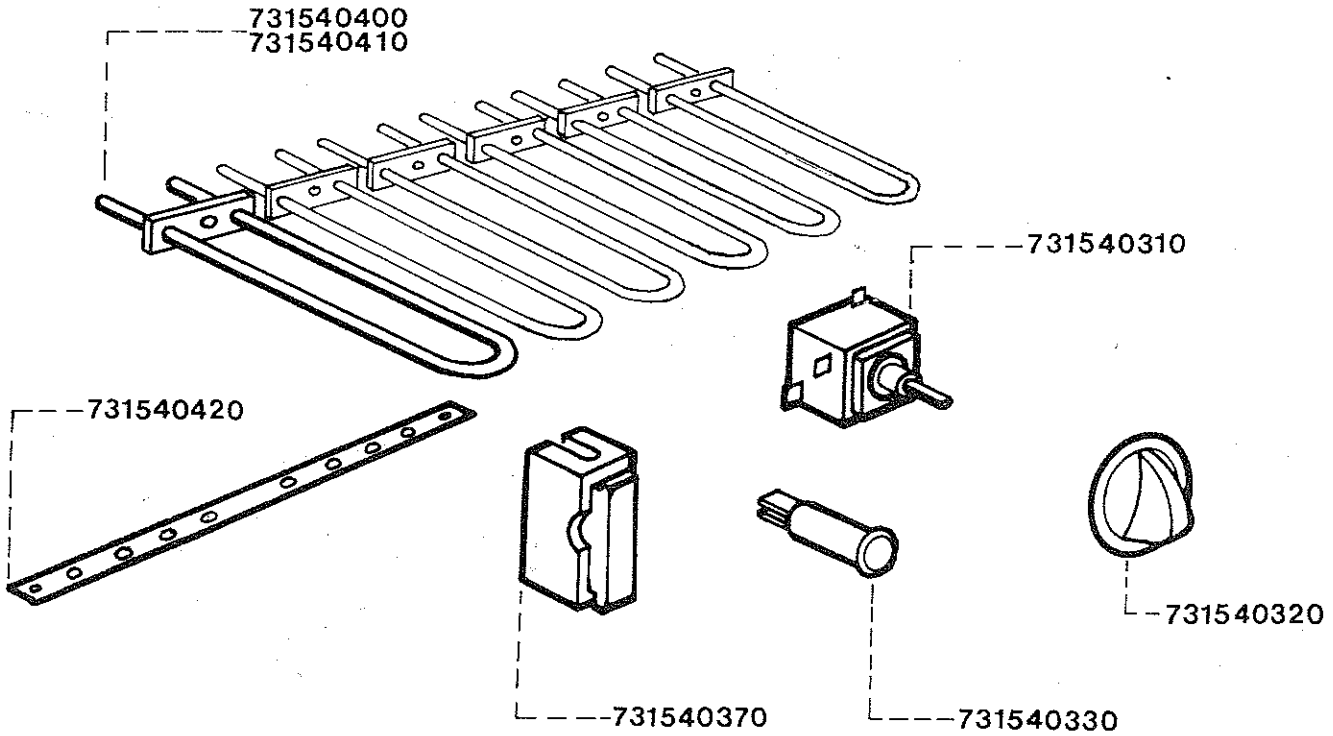
Sheet Reference Number

E1500/0884/009

**Falcon Catering
Equipment**
Commercial and institutional
catering equipment



Falcon Catering Equipment is a
business name of
Glynwed Consumer & Building Products Ltd
a member of the
Glynwed International plc
group of companies



Code No.	Description
11E 731540300	3 Heat Control Switch c/w Knob (not illustrated).
7E 731540310	3 Heat Control Switch.
6B 731540320	Control Knob.
7B 731540330	Indicator Lamp — Red.
3C 731540370	Kantark Fuse 30A.
3E 731540400	Element 240V.
3E 731540410	Element 220V.
8C 731540420	Bus Bar.

Sheet Reference Number

E1500/0884/010

**Falcon Catering
Equipment**
Commercial and institutional
catering equipment



Falcon Catering Equipment is a
business name of
Glynwed Consumer & Building Products Ltd
a member of the
Glynwed International plc
group of companies