



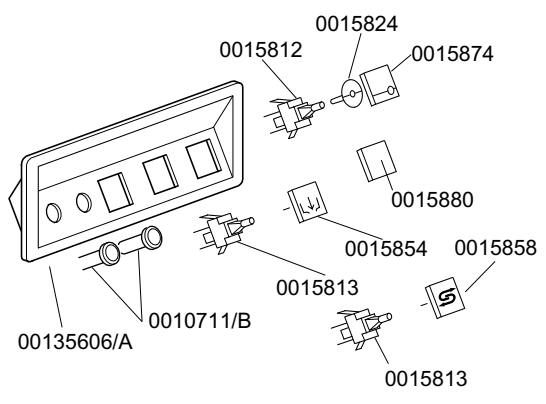
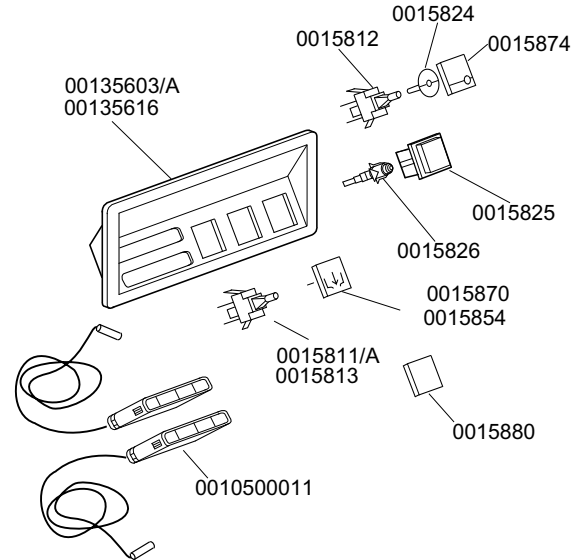
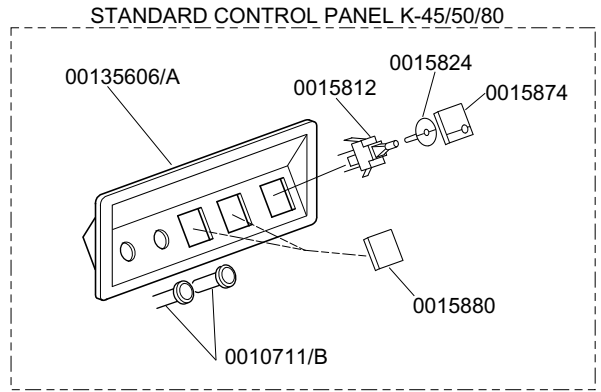
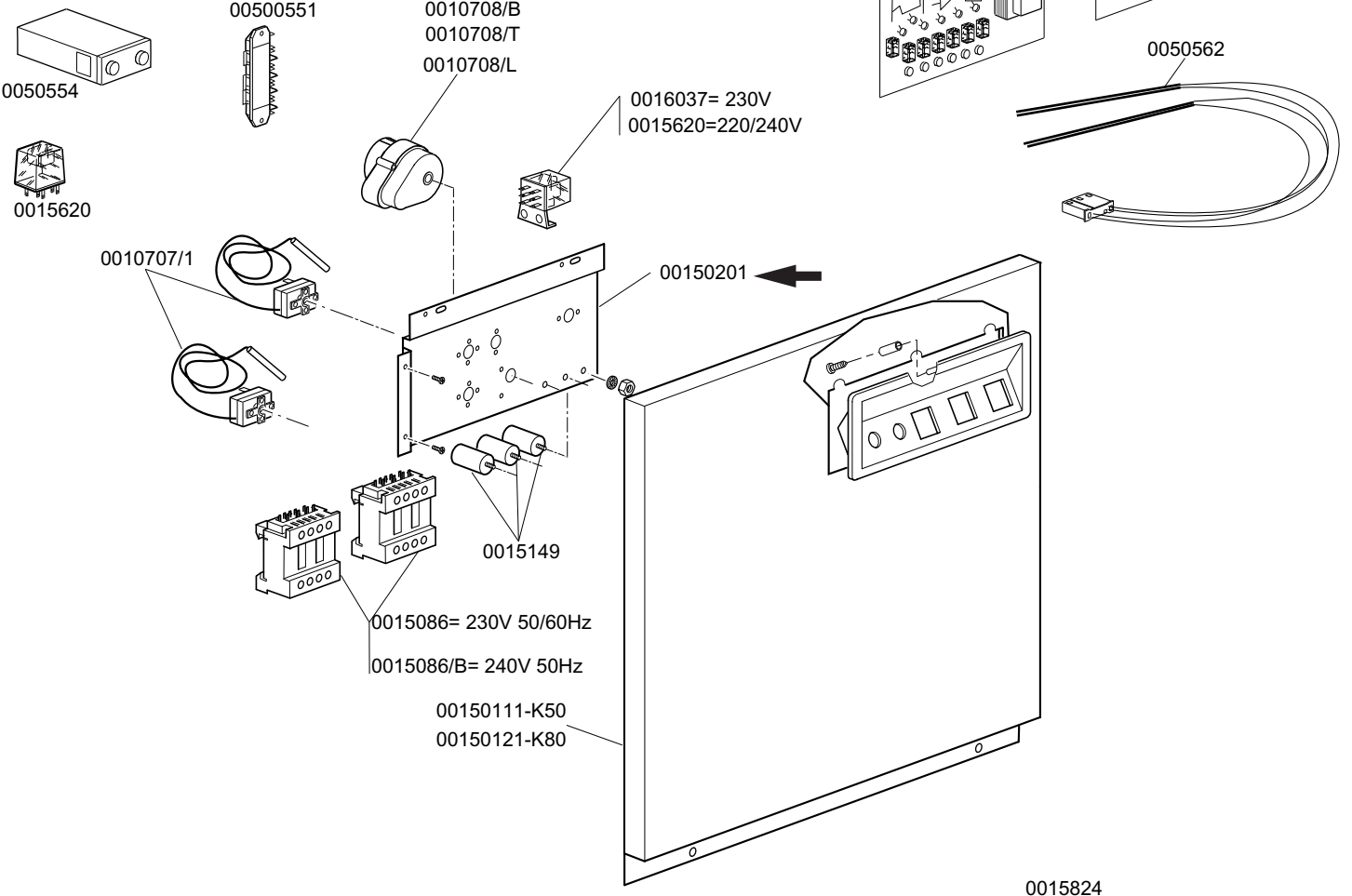
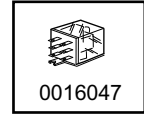






<b>KROMO</b>	<b>TABLE</b>	<b>REV</b>
	<b>KI4460</b>	<b>15</b>
<b>DISHWASHER K 45-50-80</b>		

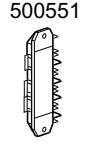
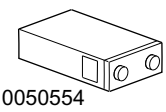
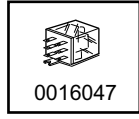
REGENERATION / DRAIN PUMP VERSION



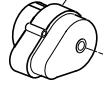


<b>KROMO</b>	<b>TABLE</b>	<b>REV</b>
	<b>KI4461</b>	<b>00</b>
<b>DISHWASHER K 45-50-80</b>		

REGENERATION / DRAIN PUMP VERSION



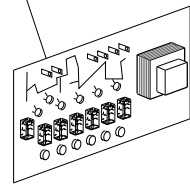
0010708/B  
0010708/T  
0010708/L



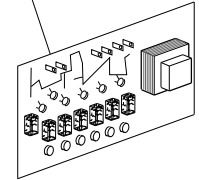
0016037= 230V  
0015620=220/240V



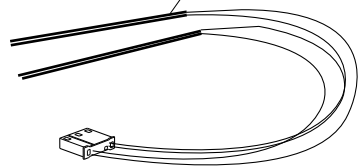
0050557



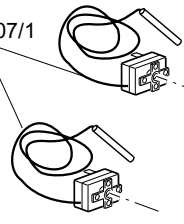
0050559



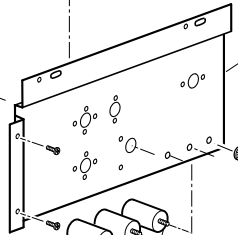
0050562



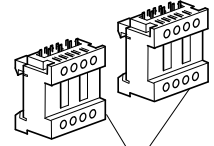
0010707/1



00150309/A



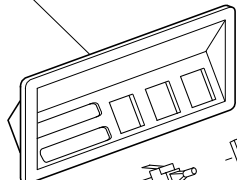
0015149



0015086= 230V 50/60Hz  
0015086/B= 240V 50Hz

00150111-K50  
00150121-K80

00135606/A(Gray)  
00135603/A  
00135616



0015812 0015824 0015874



0015825

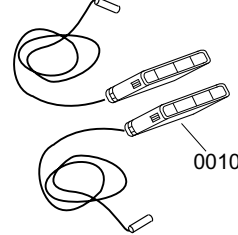
0015826

0015870  
0015854



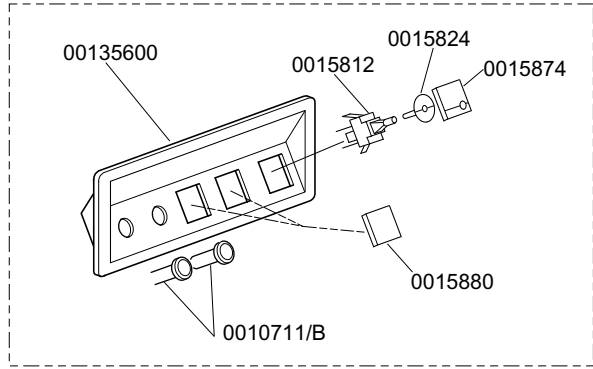
0015811/A  
0015813

0015880

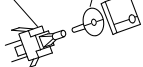


001050011

STANDARD CONTROL PANEL K-45/50/80

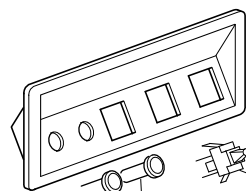


0015812 0015824 0015874



0015880

0015854 0015858



0015813

0015813

00135600

0010711/B