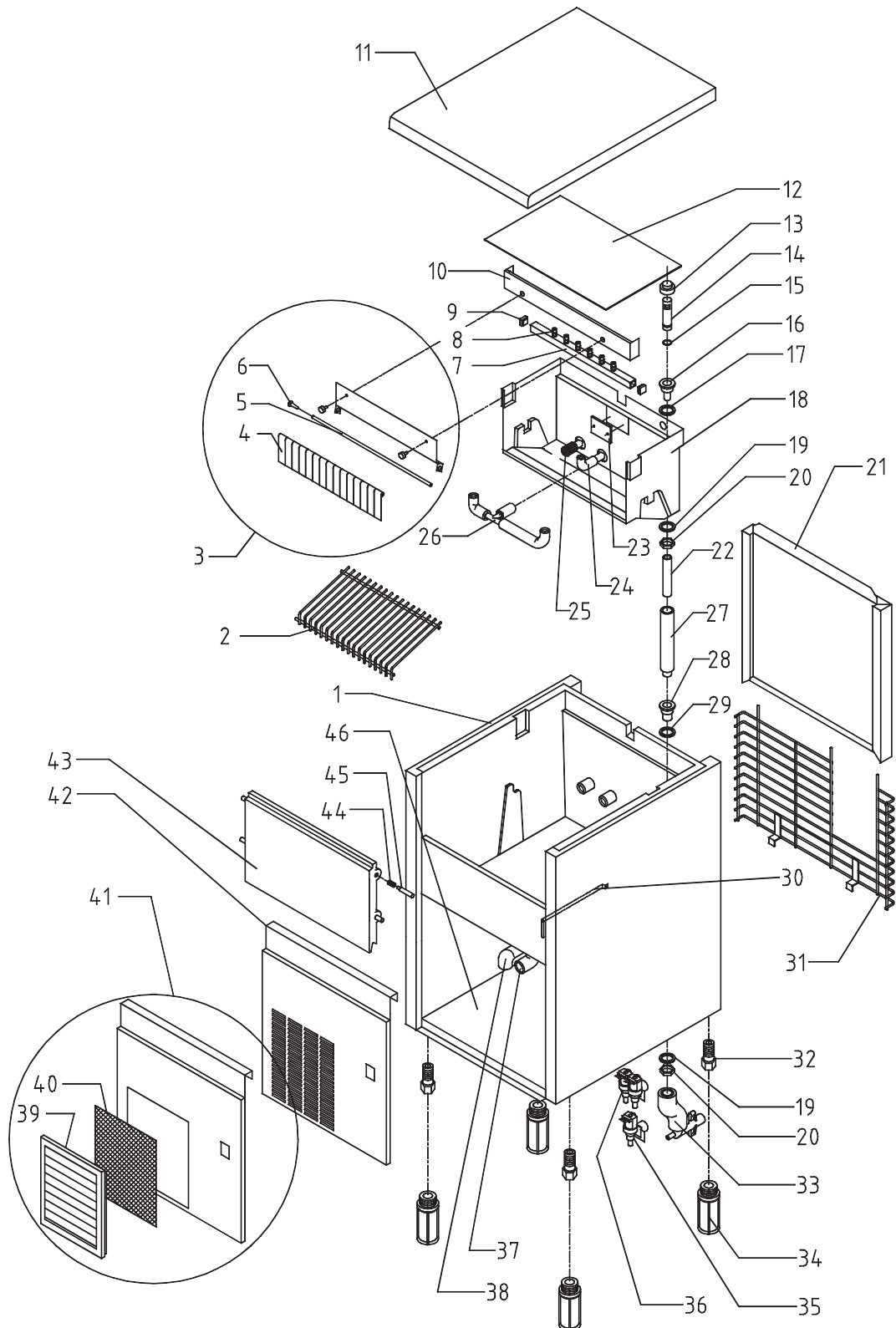


Shell assembly + Hydraulic circuit Mod. CB246-249-316-416-425-640-840-955-1265-1565 A/W



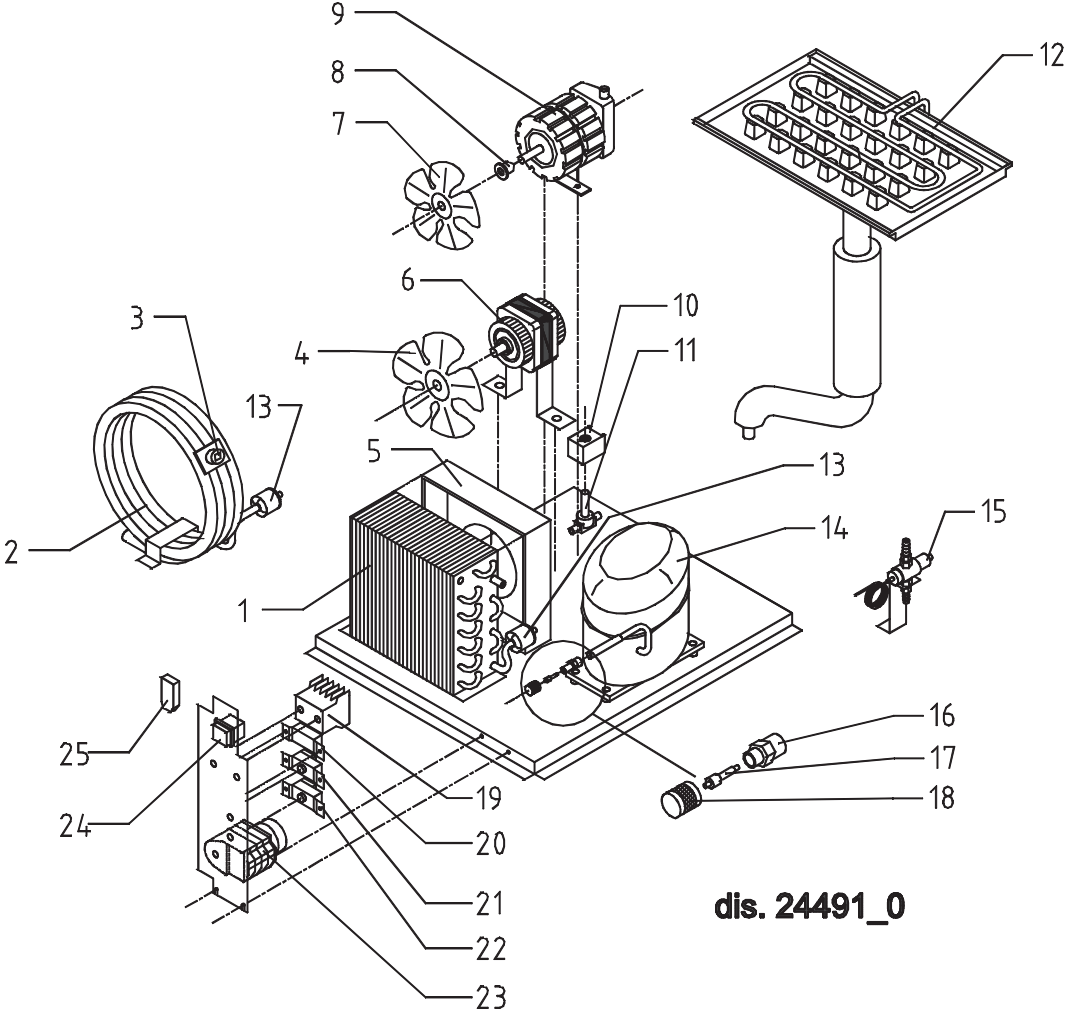
dis. 24489_1

Shell assembly + Hydraulic circuit Mod. CB1565 A/W – (TAB. 12)

Ref.	Description	Refrigerant	A/W	Tension	Code
1	Foamed cabinet assy				C11086
2	Ice cubes slide				D12022
3	Flags support assy				C22134
4	Flag				10005
5	Flags rod				12023
6	Flags rod clip				10010
7	Sprayers bar assembly				C20144
8	Sprayer				D20002
9	Sprayers bar plug				10012
10	Evaporator holder				22079
11	Top assembly				C22688
12	Evaporator cover				10058
13	Overflow cap				10305
14	Overflow tube				10133
15	Or gasket for overflow pipe				20233
16	Overflow pipe nipple				10241
17	Silicone gasket				13006
18	Inner basin				10055
19	Semirigid polyethylene gasket				13007
20	Bin discharge nut				10096
21	Back panel assembly				C21209
22	Overflow pipe				13107
23	Slide keep plate				10009
25	Pump suction filter				20005
26	Sprayers bar pipe connection assy				C13036
27	Overflow-discharge connection pipe				10256
28	Plastic nipple water outlet				10007
29	Silicone gasket				13006
30	Bulbe thermostat tube				20521
31	Back grid				D12021
33	Discharges manifold		A		C10006
33	Discharges manifold		W		C26452
34	Foot h.100 mm				10040
35	Inlet watervalve 1 way		A		23108
36	Inlet water valve 2 ways		W		23138
37	Pump suction pipe				13096
38	Pump delivery pipe				13095
42	Front grid panel				22548
43	Door				10275
44	Door pin spring				20499
45	Door pin				10269
46	Base plate				C21210

Note: 13. Code 10305 from number 62566.
14. Code 13094 until number 62565. Code 10133 from number 62566.
15. Code 20233 from number 62566.
22. Code 13094 until number 62565. Code 13107 from number 62566.
27. Code 22088 until number 62565. Code 10256 from number 62566.
30. Code 20062 until number 94926. Code 20521 from number 94927.

Cooling system assembly Mod. CB640-840-955-1265-1565 A/W



dis. 24491_0

Cooling system assembly Mod. CB1565 A/W – (TAB. 22)

Ref.	Description	Refrigerant	A/W	Tension	Code
1	Air condenser		A		20426
2	Water condenser		W		14081
3	Safety thermostat		W		C23114
4	Suction fan		A	1-2	20407
4	Suction impeller		W		10213
6	Fan motor		A	1-2	23121
6	Fan motor		W		23029
7	Suction impeller				10213
8	Hub+washer+screw				10014
9	Pump motor				23068
10	Hot gas coil			1-2	23091
11	Hot gas valve body				20409
12	Evaporator				D10214
13	Solid core drier				14084
14	Compressor			1	23438
14	Compressor			2	23466
15	Pressure valve		W		20210
16	Vacuum- charge valve body				14007
17	Vacuum-charge valve device				14005
18	Vacuum-charge valve plug				14006
19	Contacto				23594
20	Condenser pressure switch		A		23175
21	Bin thermostat				23005
22	Evaporator thermostat				23591
23	Timer			1	23247
23	Timer			2	23222
24	Green light switch				23327
25	Anti radio interference filter		A	1	23459

Note: 1. Code 20148 (A) until number 42925. Code 20426 (A) from number 42926.
 4. Code 20153 (A, Tens.1-2) until number 42925. Code 20407 (A, Tens.1-2) from number 42926.