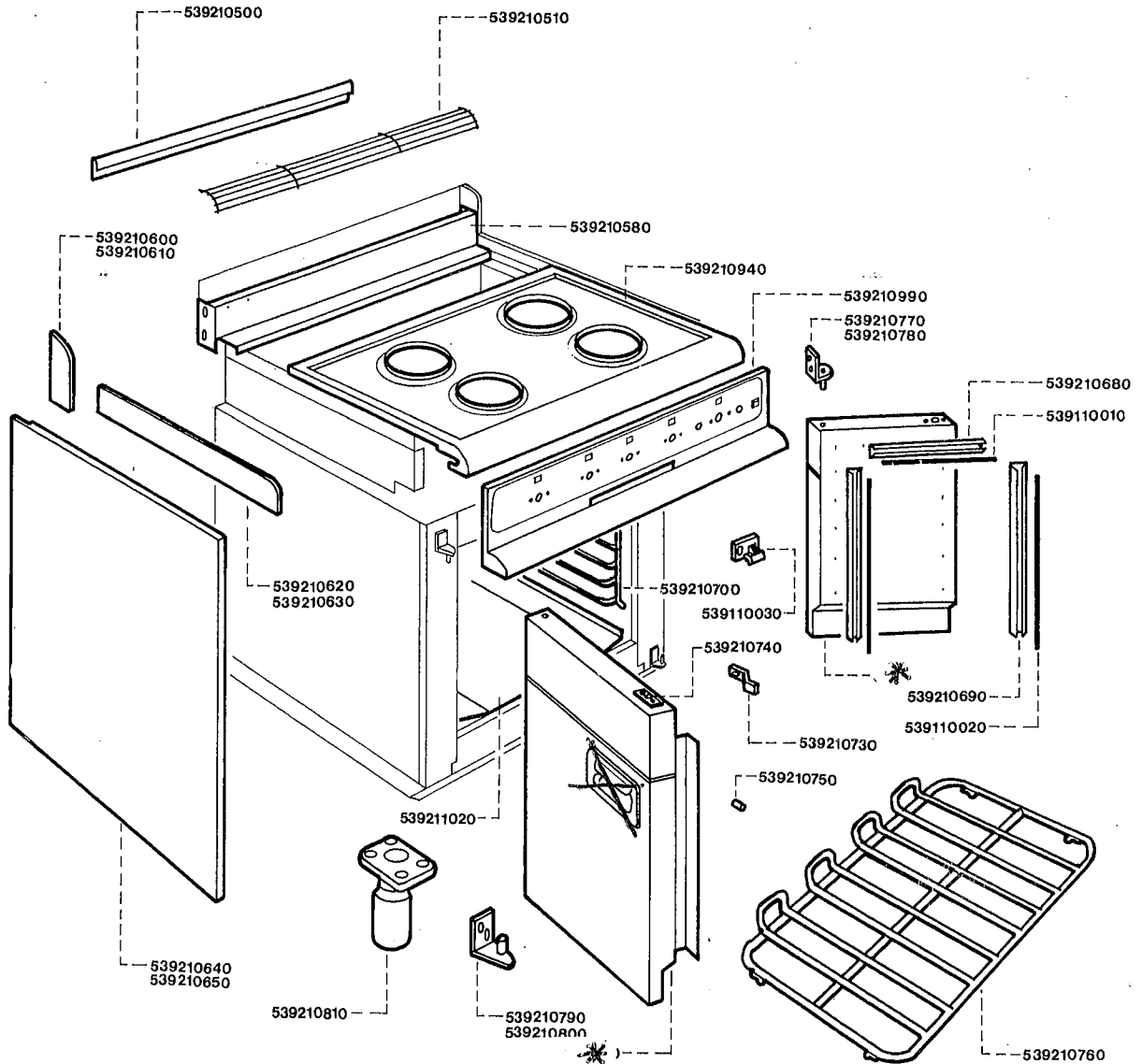


E350/30 4 HOTPLATE RANGE

Range Fitments



Code No.	Description	Code No.	Description	Code No.	Description
8C	539110010 Door Seal (Horizontal)	3E	539210640 Outer Side Panel - LH	12D	539210760 Oven Grid Shelf
9C	539110020 Door Seal (Vertical)	3E	539210650 Outer Side Panel - RH	9C	539210770 Door Hinge - Top LH
6B	539110030 Door Catch Keeper	11J	539210660 Door Assembly - LH	9C	539210780 Door Hinge - Top RH
9C	539210500 Flue Trim	12J	539210670 Door Assembly - RH	5C	539210790 Door Hinge - Bottom LH
11C	539210510 Flue Grid	4C	539210680 Door Seal Bracket (Horizontal)	5C	539210800 Door Hinge - Bottom RH
3E	539210580 Flue Front	5C	539210690 Door Seal Bracket (Vertical)	1D	539210810 Adjustable Foot
12C	539210600 Rear Cheek - LH	11C	539210700 Oven Hanger	9H	539210940 Hob
12C	539210610 Rear Cheek - RH	6A	539210730 Oven Hanger Bracket	1F	539210990 Control Panel
7D	539210620 Side Cheek - LH	8B	539210740 Door Catch	10E	539211020 Oven Bottom Tray
7D	539210630 Side Cheek - RH	4A	539210750 Protection Pin		

* 533001200 L/H DOOR ASSY

* 533001201 - R/H DOOR ASSY
* 539211872 - DOOR HANDLE

Falcon Catering Equipment

Commercial and institutional
catering equipment

Falcon Catering Equipment is a
business name of
Glynwed Consumer & Building Products Ltd.
a member of the
Glynwed International plc
group of companies

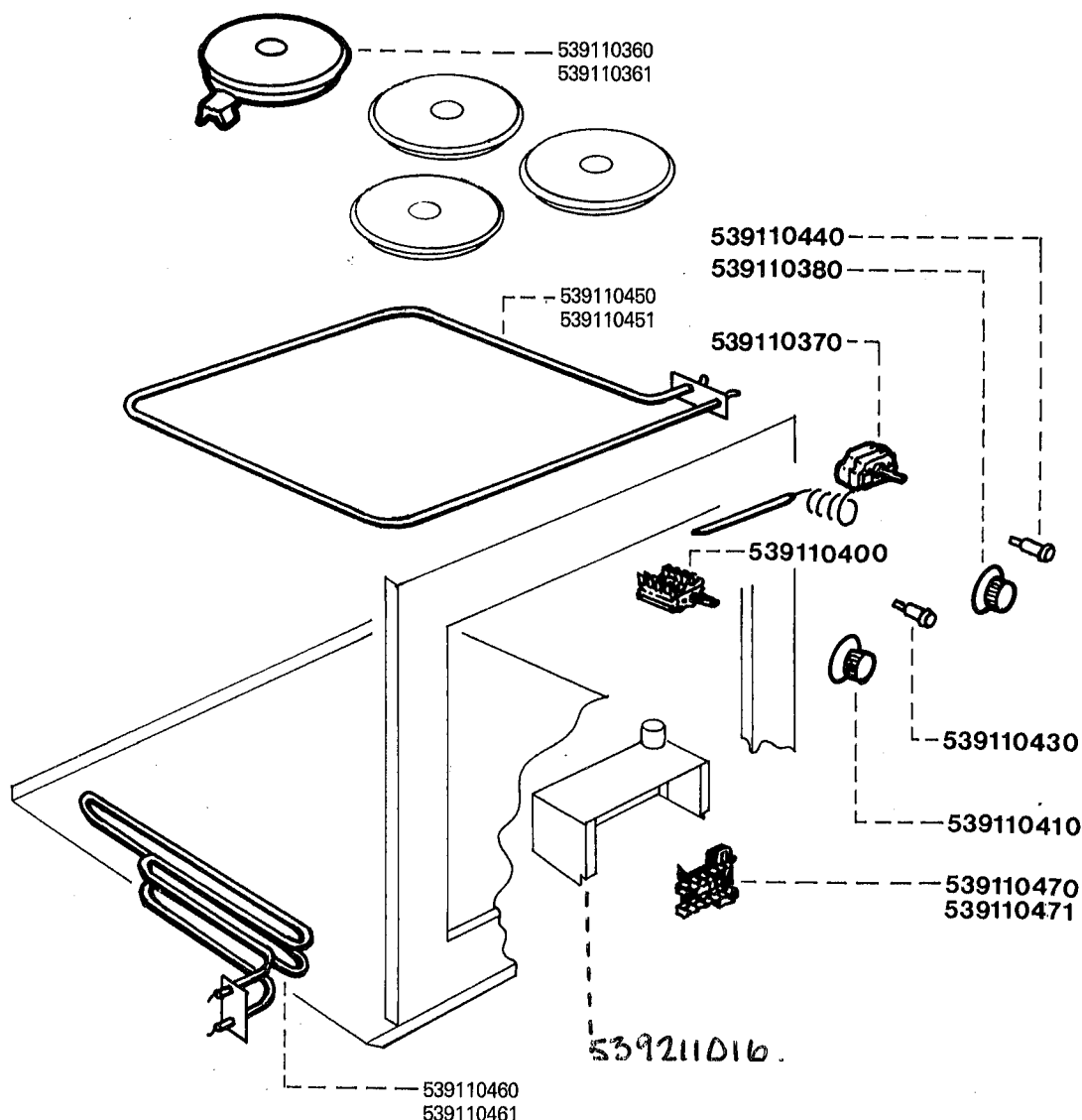
Sheet Reference Number

E350/30'0983'001



E350/30 4 HOTPLATE RANGE

Range Controls



Code No.	Description
4E 539110360	Hotplate—240V
4E 539110361	Hotplate—220V
2D 539110370	Oven Thermostat
5B 539110380	Knob for Oven Thermostat
12C 539110420	Control Switch c/w Knob (Not illustrated)
8C 539110400	Radiant Ring Control Switch
5B 539110410	Knob for Control Switch
12C 539110420	Control Switch c/w Knob (Illustrated)
7B 539110430	Lamp Indicator (Amber)
7B 539110440	Lamp Indicator (Red)
9E 539110450	Oven Top Element—240V
9E 539110451	Oven Top Element—220V
2F 539110460	Oven Bottom Element—240V
2F 539110461	Oven Bottom Element—220V

539211016 TERMINAL BOX COVER
539110472 WIRING HARNESS.

**Falcon Catering
Equipment**

Commercial and institutional
catering equipment

539215290 Terminal Block (L + N)
539215290 Terminal Block (L2 + L3)) CONVERSION KIT - VIKING.
539215290 LEGRANDE TERMINAL ASSY Sheet Reference Number

E350/30'0983'002