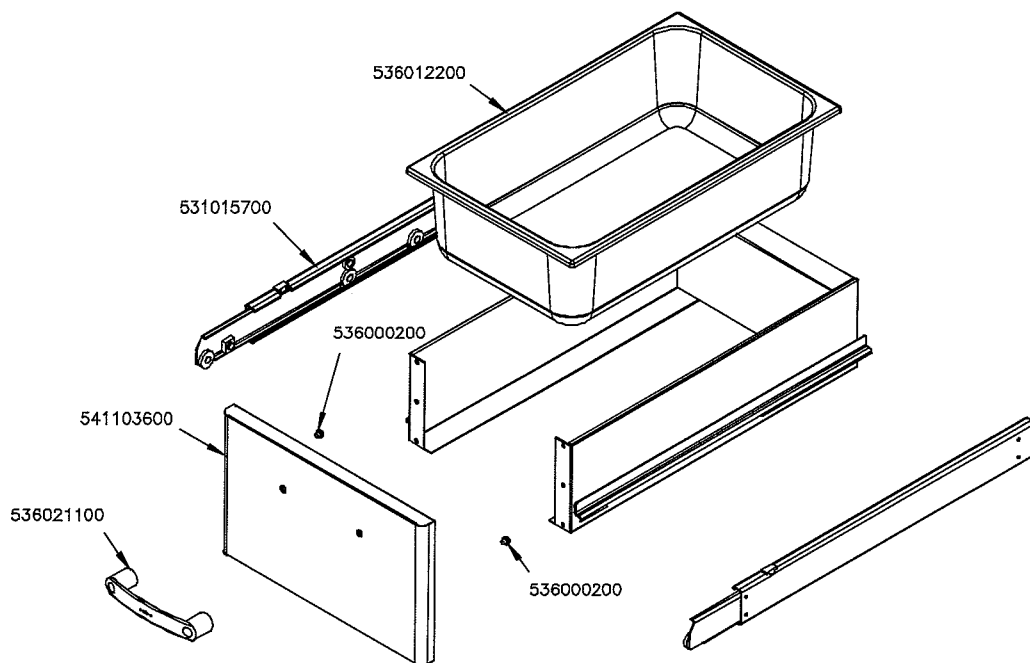
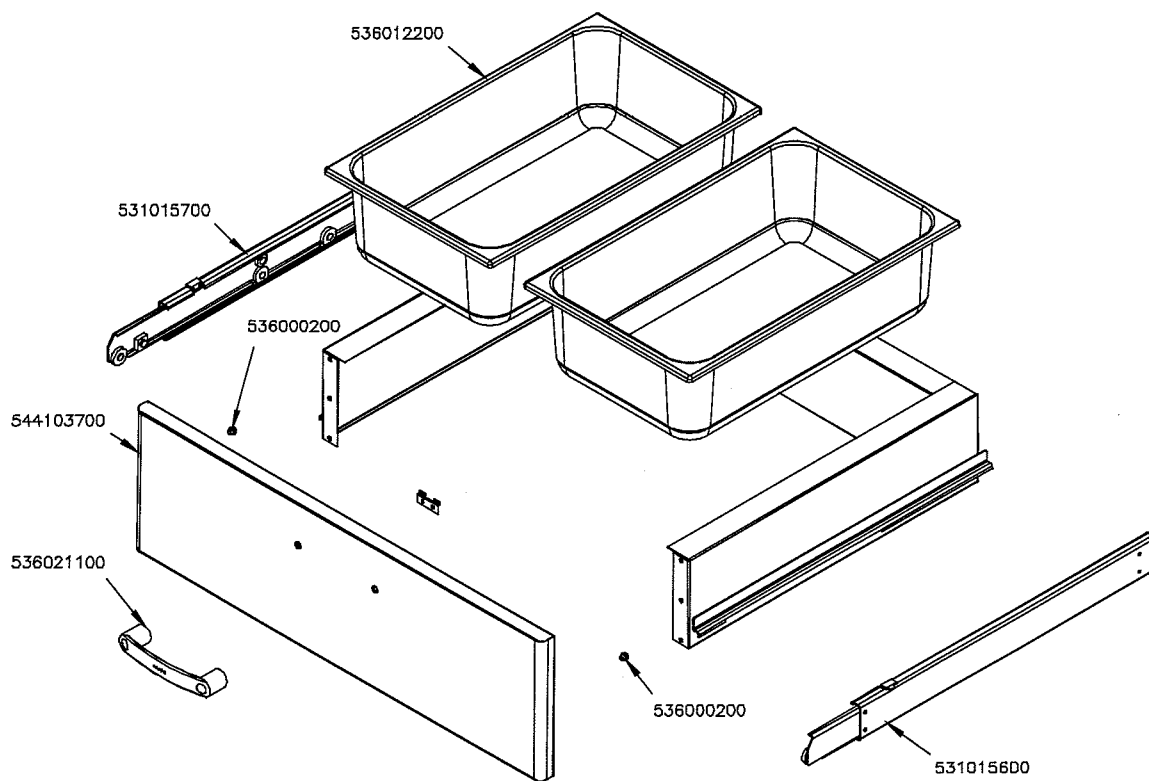


CASSETTI MOBILE / DRAWERS OF THE STAND / SCHUBLADEN DES UNTERSCHRANK /
TIROIRS DU PLACARD

C-74



C-78



Page	Pos	Code	Description
001		536012200	PLASTIC CONTAINER GN 1/1 H.150
001		531015700	LHD TELESCOPIC GUIDE RS50 L=570
001		536000200	D.12 H.4 BUMPER
001		544103700	
001		536021100	BLACK HANDLE 70LINE + 2RED POINTS
001		531015600	RHD TELESCOPIC GUIDE RS50 L=570