

BETA

500 / 533

CATALOGO PARTI DI RICAMBIO  
SPARE PARTS CATALOGUE  
CATALOGUE PIECES DETACHEES  
ERSATZTEILKATALOG  
CATALOGO DE PIEZAS DE RECAMBIO

1997



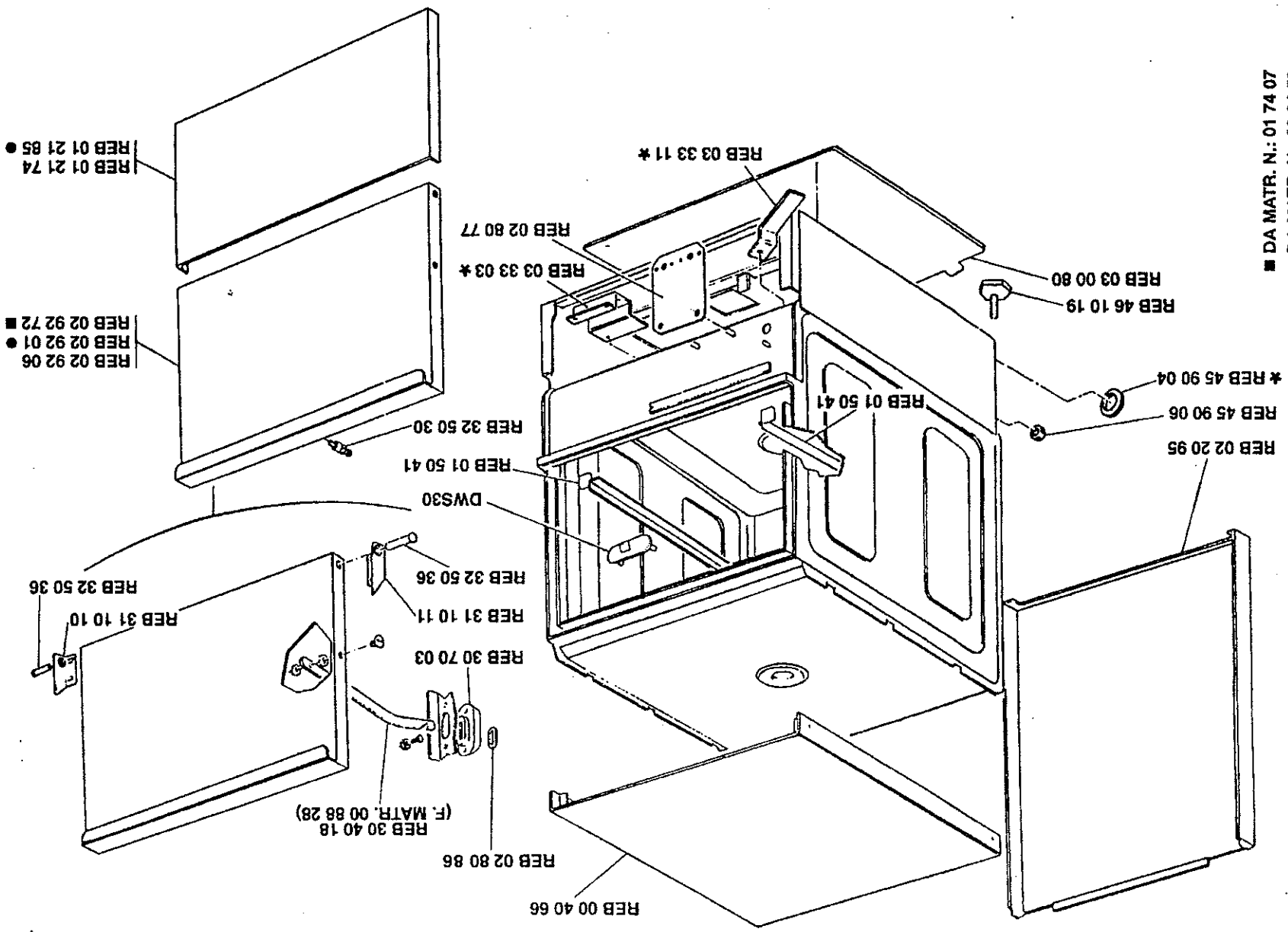
Tav. 1 - Carrozzeria  
Tav. 2 - Impianto elettrico  
Tav. 2A - Impianto elettrico  
Tav. 3 - Impianto idraulico  
Tav. 4 CE - Modifiche CE  
Tav. 5 - Pompa  
Tav. 5A - Pompa  
Tav. 6 - Variante Beta 50/53  
Tav. 7 - Pompa

Tab. 1 - Machine body  
Tab. 2 - Electrical components  
Tab. 2A - Electrical components  
Tab. 3 - Hydraulic circuit  
Tab. 4 CE - CE modifications  
Tab. 5 - Pump  
Tab. 5A - Pump  
Tab. 6 - Variant Beta 50/53  
Tab. 7 - Pump

Tab. 1 - Carroceria  
Tab. 2 - Instalación eléctrica  
Tab. 2A - Instalación eléctrica  
Tab. 3 - Compon. hidraulicos  
Tab. 4 CE - Modificación por CE  
Tab. 5 - Bomba  
Tab. 5A - Bomba  
Tab. 6 - Variante Beta 50/53  
Tab. 7 - Bomba

Tab. 1 - Carrosserie  
Tab. 2 - Installation électrique  
Tab. 2A - Installation électrique  
Tab. 3 - Comp. hydraulique  
Tab. 4 CE - Modifications pour CE  
Tab. 5 - Pompe  
Tab. 5A - Pompe  
Tab. 6 - Variant Beta 50/53  
Tab. 7 - Pompe

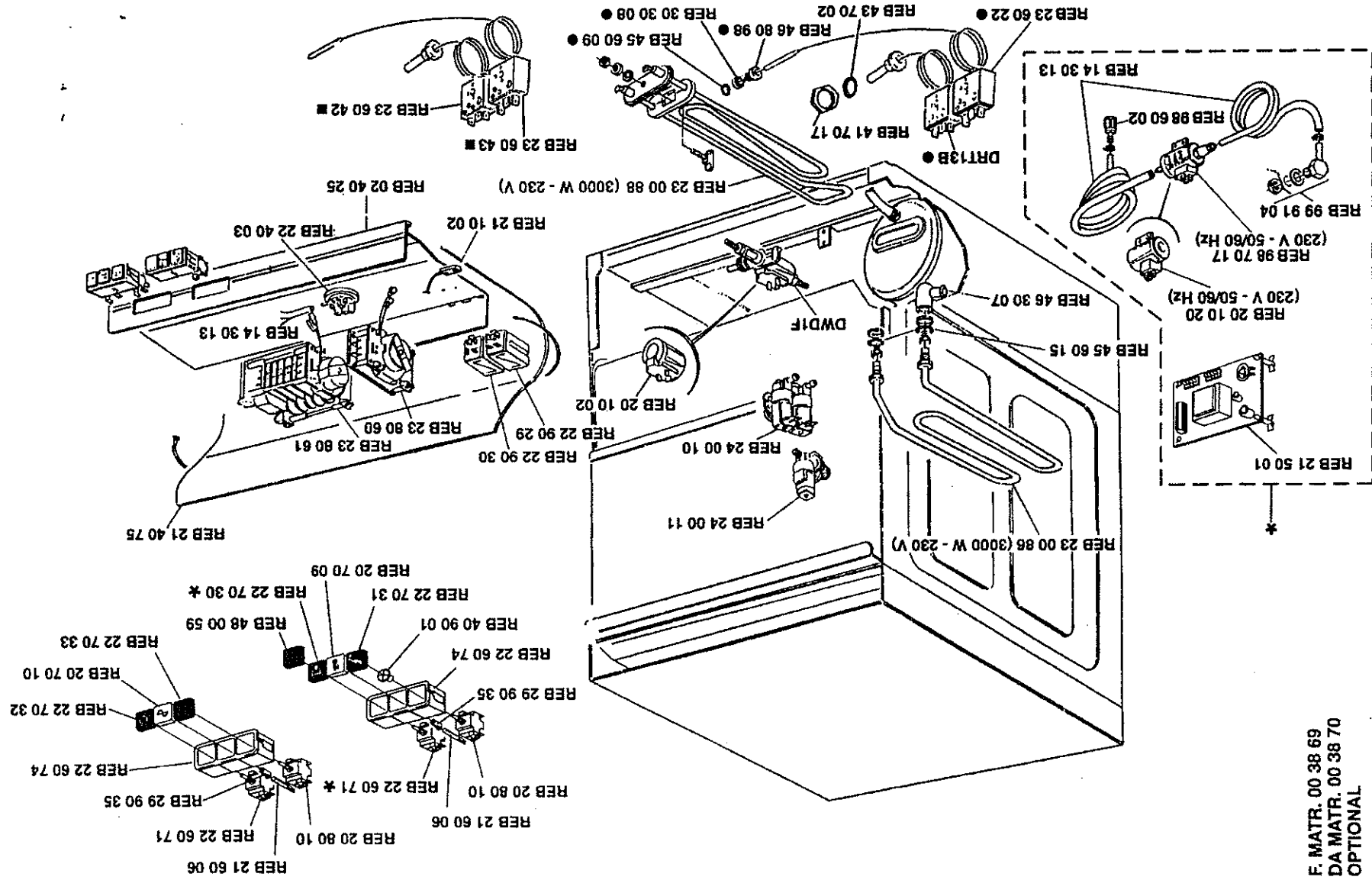
Taf. 1 - Verkleidung  
Taf. 2 - Elektrische Anlage  
Taf. 2A - Elektrische Anlage  
Taf. 3 - Hydraulische Anlage  
Taf. 4 CE - CE Fortschreibung  
Taf. 5 - Spülpumpe  
Taf. 5A - Spülpumpe  
Taf. 6 - Die variante Beta 50/53  
Taf. 7 - Spülpumpe



■ DA MATR. N.: 01 74 07  
 ● DA MATR. N.: 00 64 52  
 \* OPTIONAL

1	2	3	4	5	6	7	8	9	10	11	12	13	14	15
---	---	---	---	---	---	---	---	---	----	----	----	----	----	----

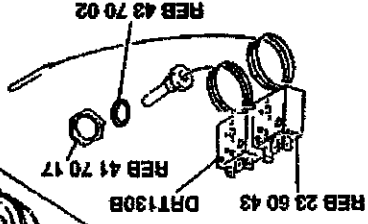
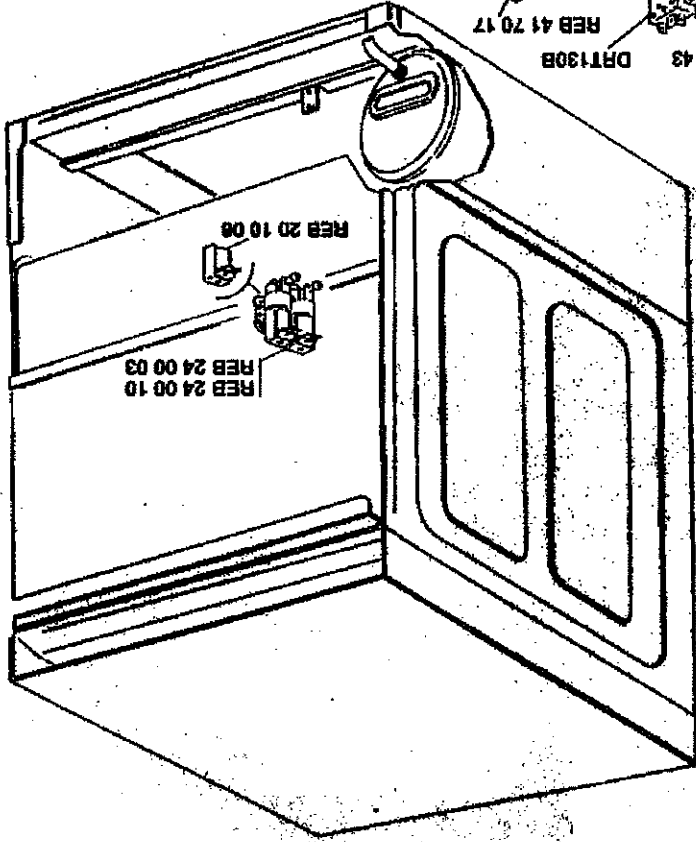
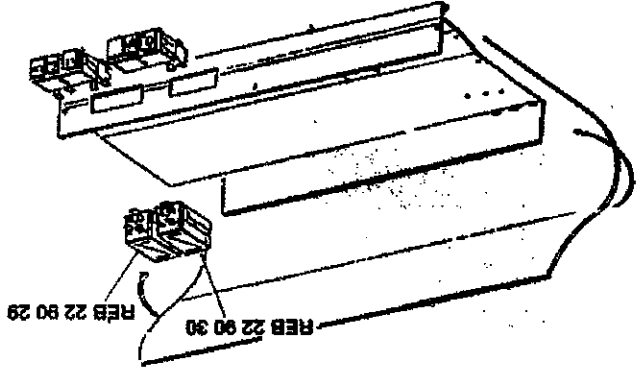
**Ta. 2**



● F. MATR. 00 38 69  
 ■ DA MATR. 00 38 70  
 \* OPTIONAL

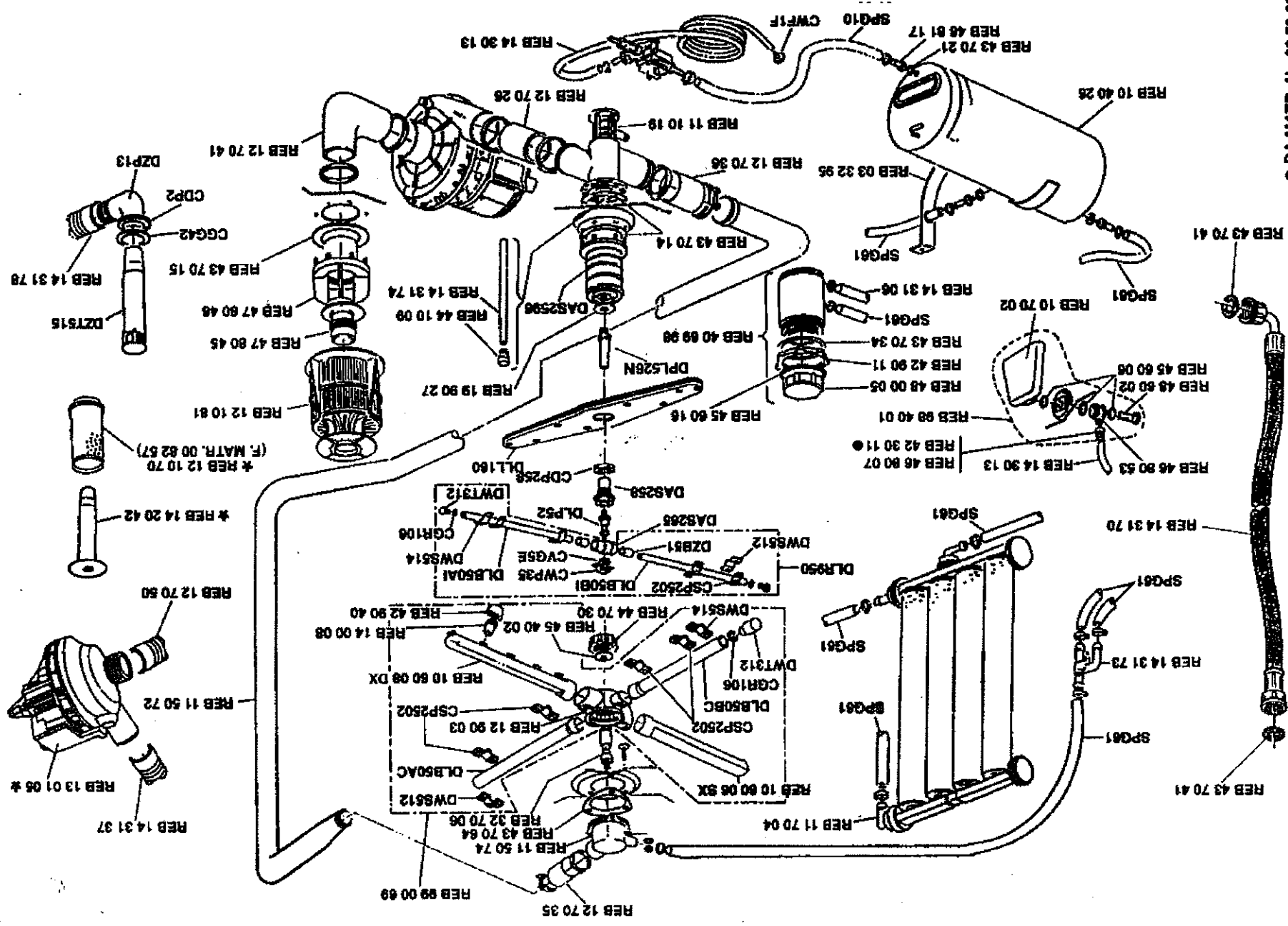
1	2	3	4	5	6	7	8	9	10	11	12	13	14	15
---	---	---	---	---	---	---	---	---	----	----	----	----	----	----

# Ta. 2A



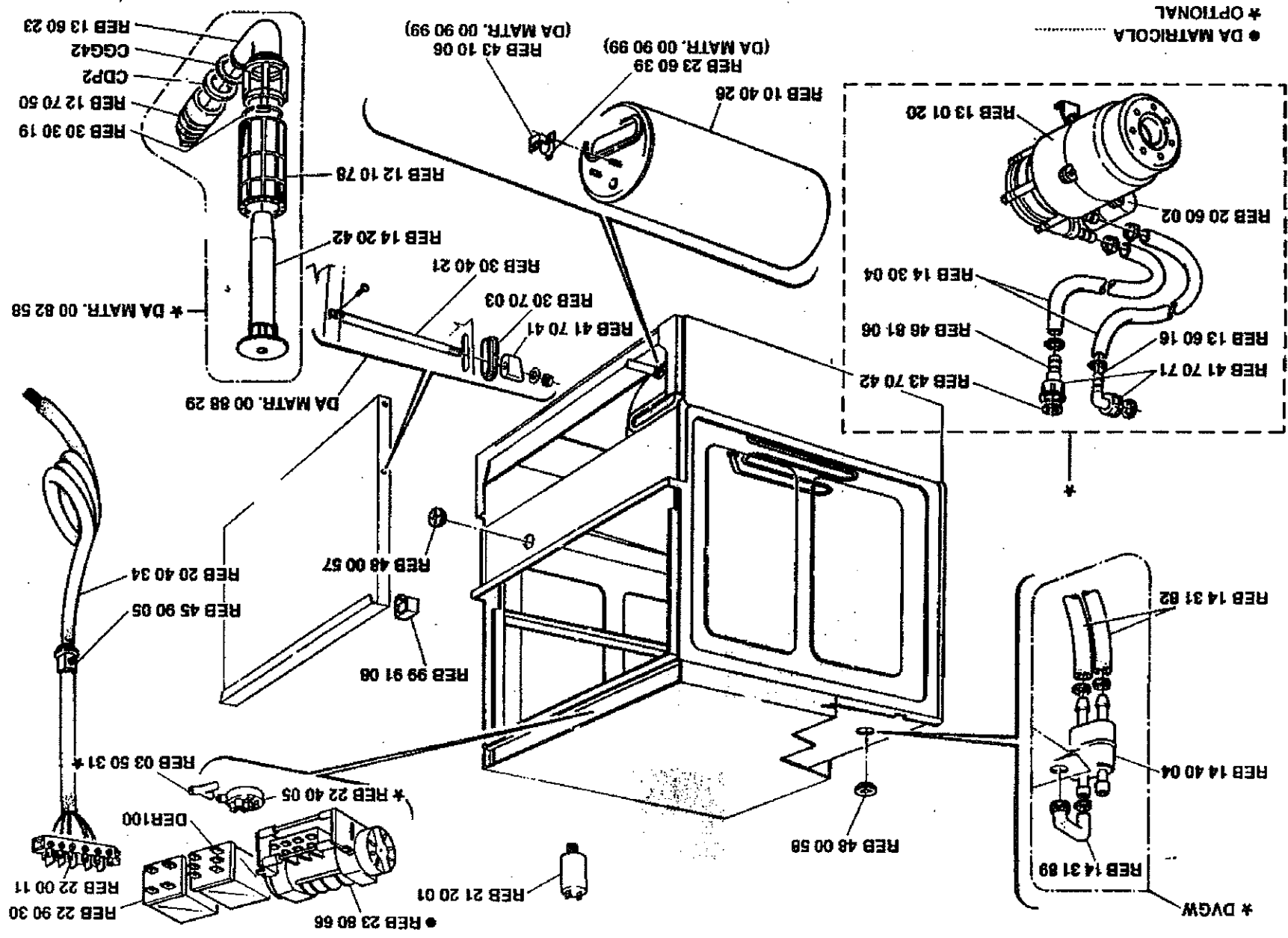
\* DA MATR. N.:

1	2	3	4	5	6	7	8	9	10	11	12	13	14	15
---	---	---	---	---	---	---	---	---	----	----	----	----	----	----

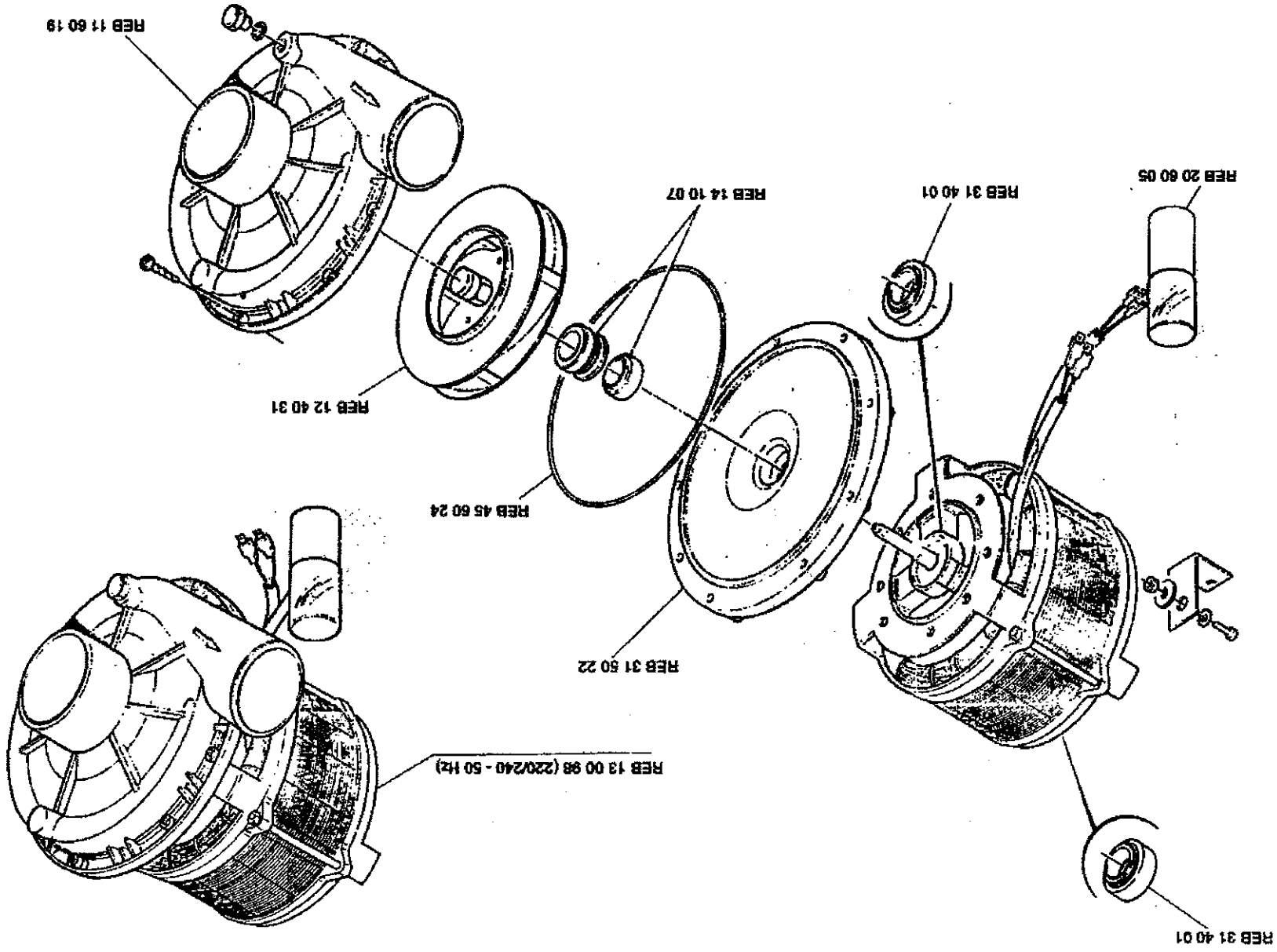


● DA MATR. N.: 00 53 68  
\* OPTIONAL

1	2	3	4	5	6	7	8	9	10	11	12	13	14	15
---	---	---	---	---	---	---	---	---	----	----	----	----	----	----



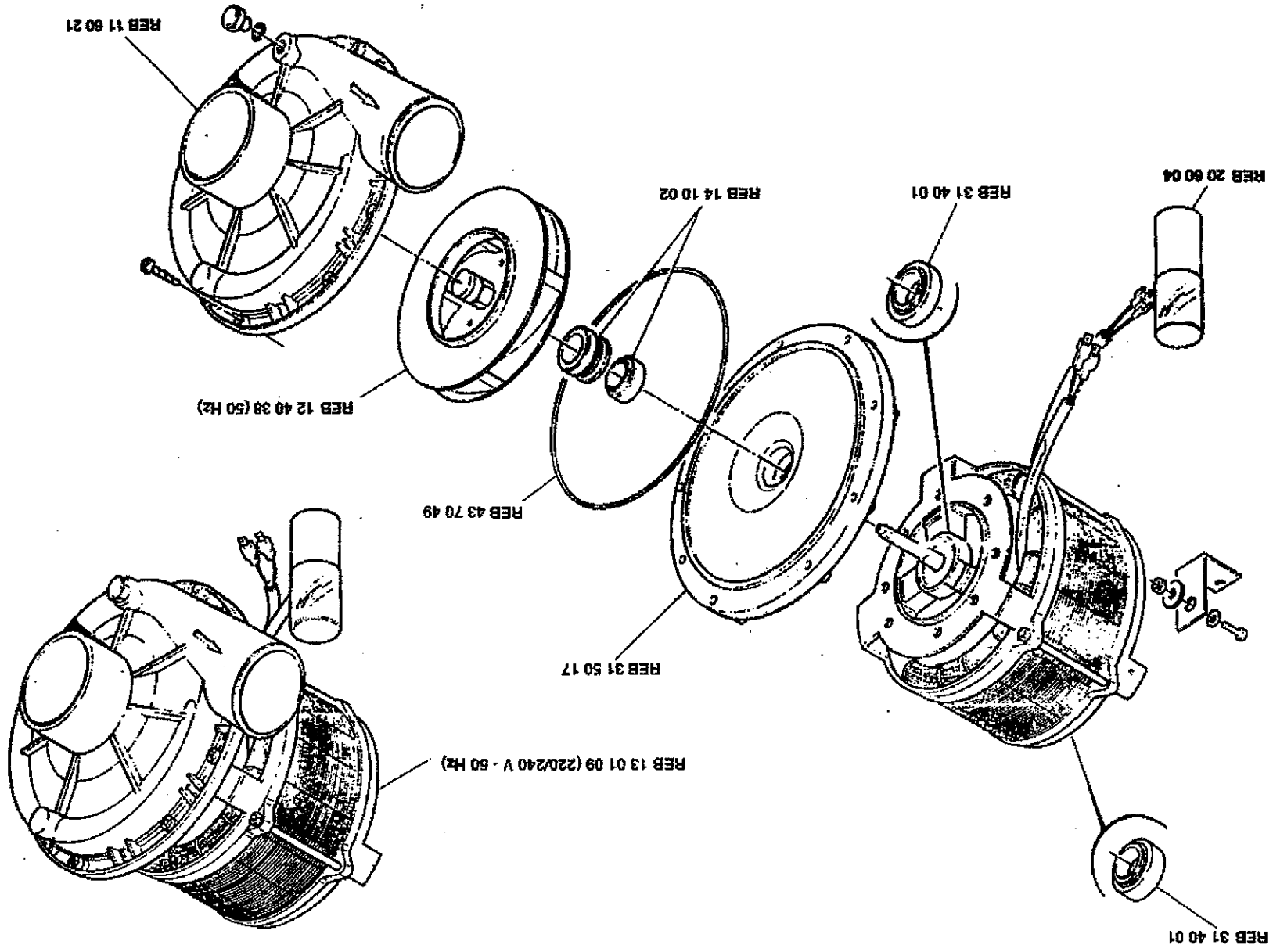
# Ta. 5



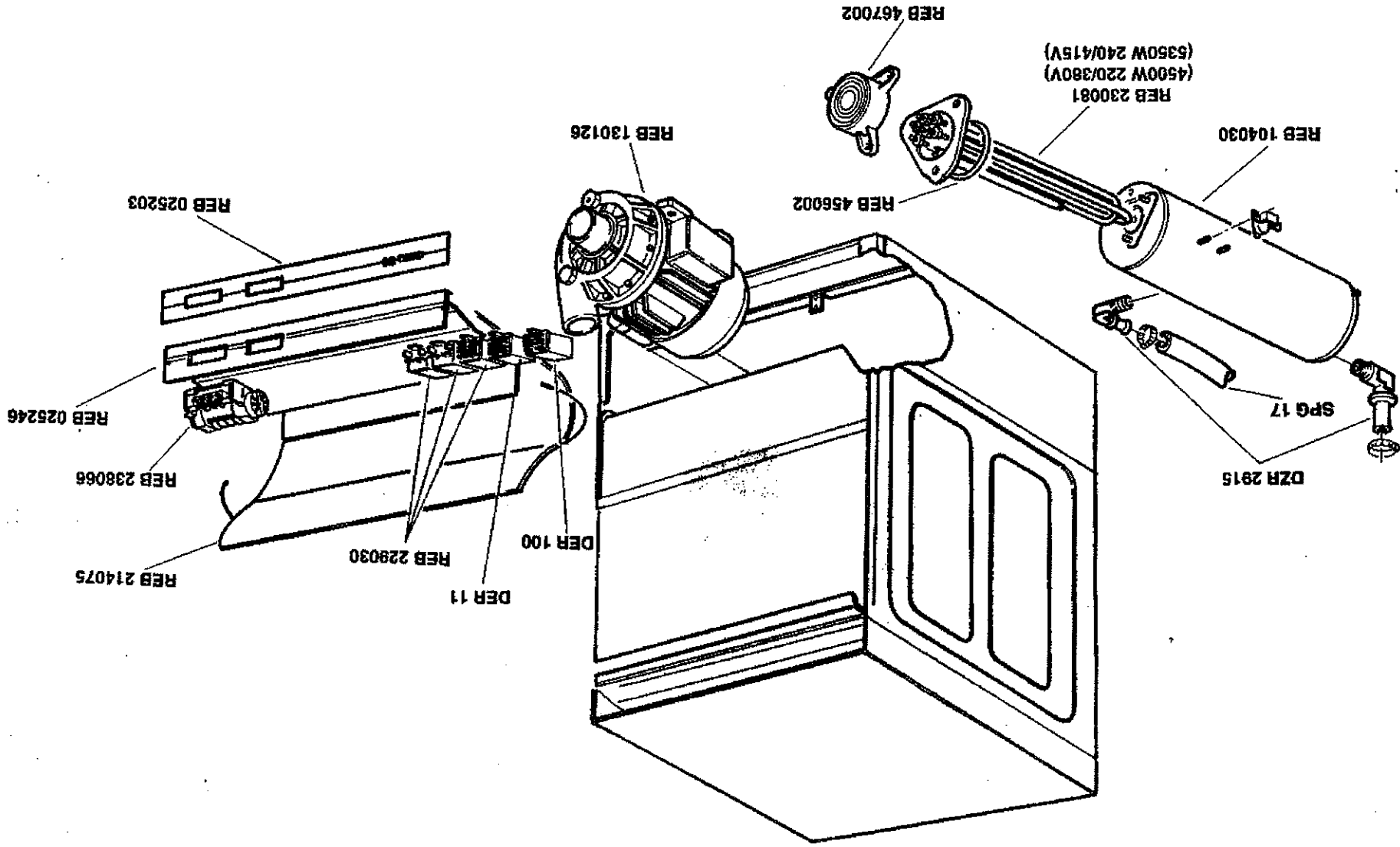
1	2	3	4	5	6	7	8	9	10	11	12	13	14	15
---	---	---	---	---	---	---	---	---	----	----	----	----	----	----



# Ta. 5A

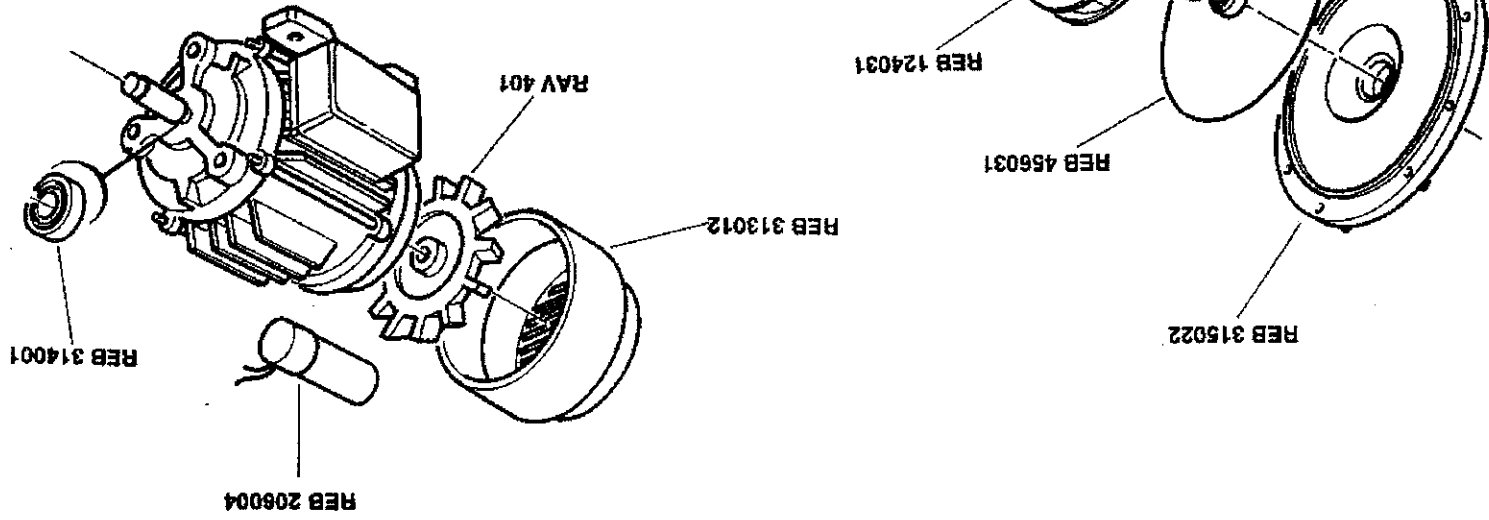


1	2	3	4	5	6	7	8	9	10	11	12	13	14	15	16
---	---	---	---	---	---	---	---	---	----	----	----	----	----	----	----



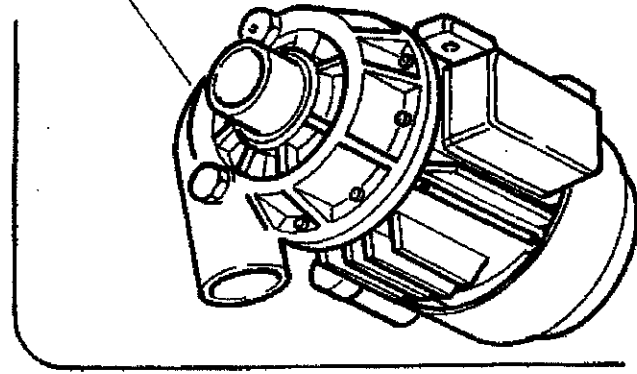
1	2	3	4	5	6	7	8	9	10	11	12	13	14	15
---	---	---	---	---	---	---	---	---	----	----	----	----	----	----

# Ta. 7



OPTIONAL

REB 130126 (230V-50HZ)



1	2	3	4	5	6	7	8	9	10	11	12	13	14	15
---	---	---	---	---	---	---	---	---	----	----	----	----	----	----