

# RACK CONVEYOR MACHINE

TYPE: 72

Accessories

STEAM CONDENSER - LC 91

CONVEYOR SPEED ADJUSTING- LC 101

DRYER - LC 90/2

ADDITIONAL BOILER FOR COLD WATER SUPPLY

DVGW VALVE SYSTEM

TANKS INSULATION

DOUBLE SKIN

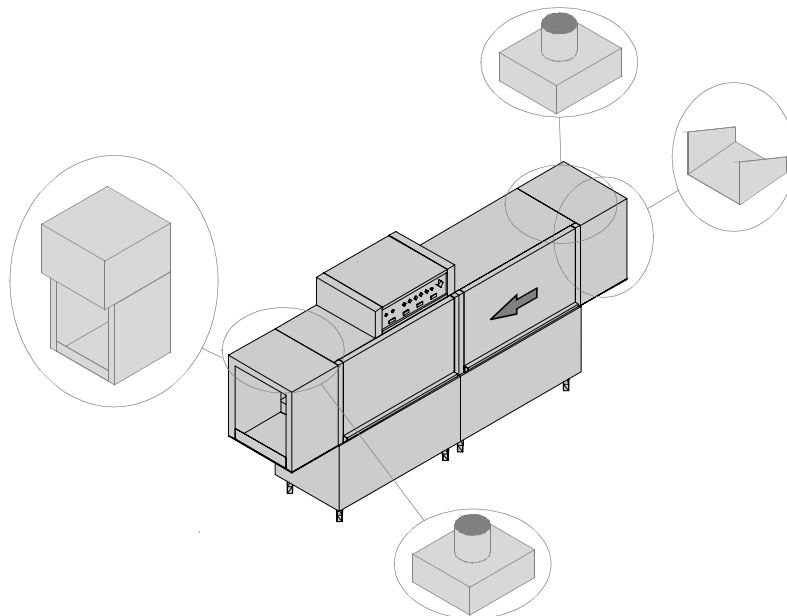
BOOSTER PUMP

DISPENSERS SYSTEM SDN-3

---

## Spare parts manual

---





## 1. Spare parts

|  |           |
|--|-----------|
| <b>Control Panel.....</b>                          | <b>7</b>  |
| <b>Electric parts .....</b>                        | <b>9</b>  |
| <b>General parts .....</b>                         | <b>13</b> |
| <b>Economizer components.....</b>                  | <b>15</b> |
| <b>Curtains group components .....</b>             | <b>17</b> |
| <b>Dryer LC 90/2 (12kW) - part 1 .....</b>         | <b>19</b> |
| <b>Dryer LC 90/2 (12kW) - part 2 .....</b>         | <b>21</b> |
| <b>Dryer LC 90/2 ( 12kW) - electric components</b> | <b>23</b> |
| <b>Steam condenser - part 1 .....</b>              | <b>25</b> |
| <b>Steam condenser - part 2 .....</b>              | <b>27</b> |
| <b>Steam condenser - part 3 .....</b>              | <b>29</b> |
| <b>Additional boiler components .....</b>          | <b>31</b> |
| <b>Additional boiler: electrical components</b>    | <b>33</b> |
| <b>DVGW valve .....</b>                            | <b>35</b> |
| <b>Motorgear components module 1300</b>            | <b>37</b> |
| <b>Prewashing components .....</b>                 | <b>39</b> |

---

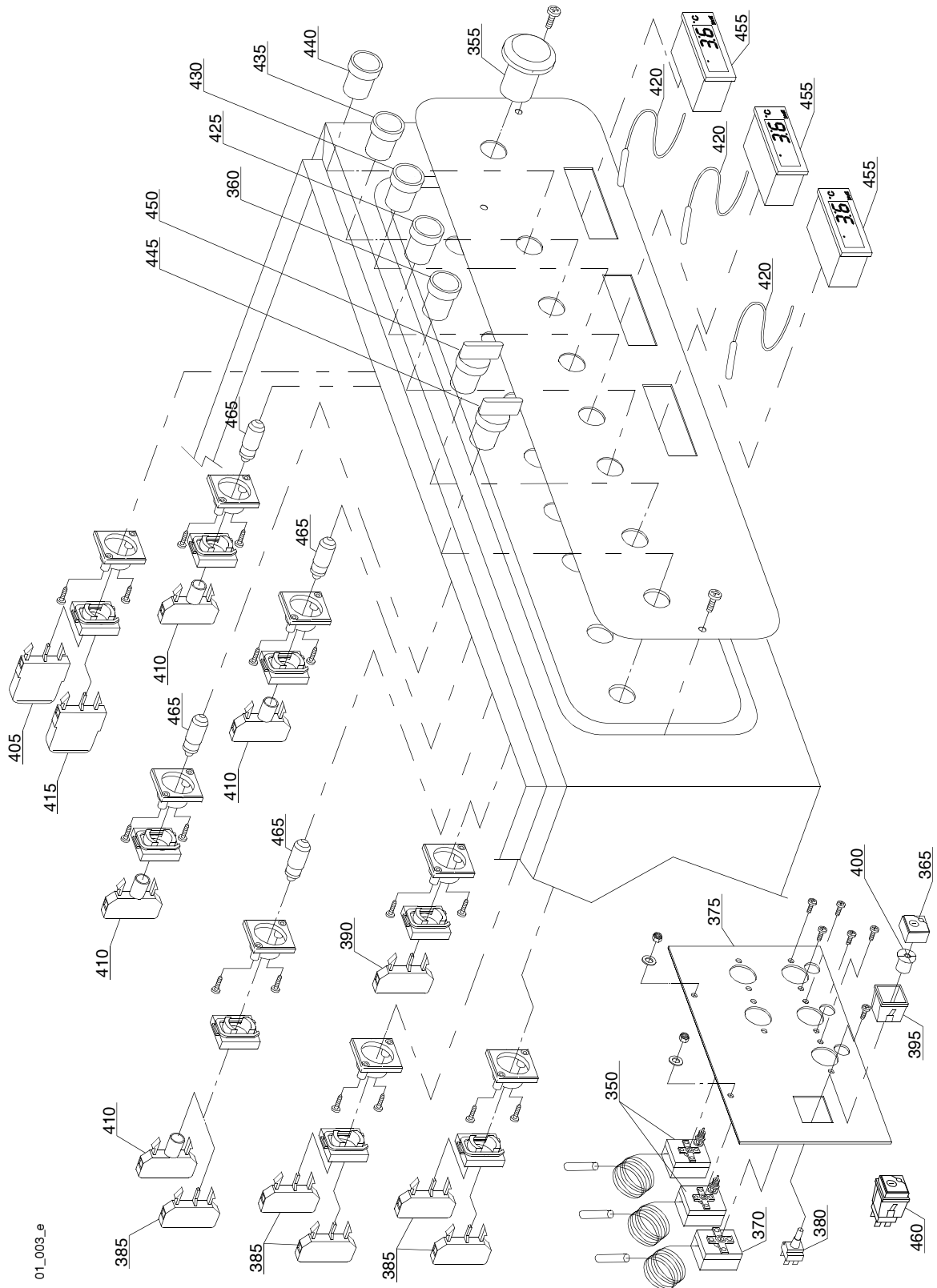
|   |           |
|---|-----------|
| <b>Washing components .....</b>   | <b>41</b> |
| <b>Internal components washing module 1300</b>  | <b>43</b> |
| <b>Rinsing components .....</b>   | <b>45</b> |
| <b>Boiler components .....</b>  | <b>47</b> |
| <b>Solenoid valves components: tank loading + rinsing</b>                             | <b>49</b> |
| <b>Solenoid valves components: tank loading + rinsing</b>                             | <b>49</b> |
| <b>Solenoid valves components: tank loading + rinsing + steam<br/>condenser .....</b> | <b>51</b> |
| <b>Conveyor parts .....</b>   | <b>53</b> |
| <b>Tank insulation.....</b>   | <b>55</b> |
| <b>Double skin.....</b>   | <b>57</b> |
| <b>Booster pump .....</b>   | <b>59</b> |
| <b>Dispensers SDN-3 .....</b>   | <b>61</b> |
| <b>Accessory .....</b>  | <b>63</b> |

## 1.1 Voltage codes

| Voltage code | Voltage              |
|--------------|----------------------|
| A            | 3/N/PE~400/230V 50Hz |
| B            | ~250V 16A 50Hz       |
| C            | 3/N/PE~380/220V 50Hz |
| D            | 3/PE~200V 50-60Hz    |
| F            | 2/PE 220-240V 50Hz   |
| G            | 3/N/PE~415/240V 50Hz |
| H            | 3/PE~230V 50Hz       |
| I            | 3/PE~220V 60Hz       |
| J            | 3/PE~380 50Hz        |
| K            | 3/PE~400V 50Hz       |
| L            | 3/PE~415V 50Hz       |
| M            | 3/PE~440V 60Hz       |
| N            | 3/PE~460V 60Hz       |
| O            | 3/PE~480V 60Hz       |
| P            | 1/N/PE~220-240V 50Hz |
| R            | 2/PE~220-230V 60Hz   |
| S            | 3/N/PE~400/230V 50Hz |
| T            | 3/PE~230V 60Hz       |

## 1.2 Product codes

| Product code    | Full name                               |
|-----------------|---|
| Model codes     |   |
|                 |   |
| Type codes      |   |
| 72              | 72                                      |
| Accessory codes |   |
| sc9             | STEAM CONDENSER - LC 91                 |
| csa             | CONVEYOR SPEED ADJUSTING- LC 101        |
| d92             | DRYER - LC 90/2                         |
| cw              | ADDITIONAL BOILER FOR COLD WATER SUPPLY |
| dvgw            | DVGW VALVE SYSTEM                       |
| ti              | TANKS INSULATION                        |
| ds              | DOUBLE SKIN                             |
| bp              | BOOSTER PUMP                            |
| sdn3            | DISPENSERS SYSTEM SDN-3                 |



01\_003\_e

## Spare parts

| ID                   | P-code  | Model | Type | Accessory | Voltage | Description                |
|----------------------|---------|-------|------|-----------|---------|----------------------------|
| MODULE:Control Panel |         |       |      |           |         |                            |
| 350                  | 2000430 |       | 72   |           |         | Safety thermostat          |
| 355                  | 3002050 |       | 72   |           |         | Emergency button           |
| 360                  | 3002055 |       | 72   |           |         | Button red                 |
| 365                  | 15874   |       | 72   |           |         | Green main switch          |
| 370                  | 10707/1 |       | 72   |           |         | Thermostat 0 - 90° (TB2)   |
| 375                  | 3009114 |       | 72   |           |         | Assembly plate             |
| 380                  | 15812   |       | 72   |           |         | Starter electric component |
| 385                  | 3002054 |       | 72   |           |         | Green contact piece (NO)   |
| 390                  | 3002056 |       | 72   |           |         | Red contact piece (NC)     |
| 395                  | 15815   |       | 72   |           |         | Support square single      |
| 400                  | 15824   |       | 72   |           |         | Green-orange cam           |
| 405                  | 3002051 |       | 72   |           |         | 2NO contact (green)        |
| 410                  | 2000234 |       | 72   |           |         | Lamp holder                |
| 415                  | 3002052 |       | 72   |           |         | 2NC contact (red)          |
| 420                  | 3006121 |       | 72   |           |         | Digital thermostat probe   |
| 425                  | 2000284 |       | 72   |           |         | Switch start green         |
| 430                  | 2000230 |       | 72   |           |         | Yellow pillow lamp         |
| 435                  | 2000231 |       | 72   |           |         | Red pillow lamp            |
| 440                  | 2000232 |       | 72   |           |         | Green pillow lamp          |
| 445                  | 2000310 |       | 72   |           |         | Selector                   |
| 450                  | 2000311 |       | 72   |           |         | Selector                   |
| 455                  | 3006120 |       | 72   |           |         | Digital thermostat         |
| 460                  | 15849   |       | 72   |           |         | Switch assembly            |
| 465                  | 3002068 |       | 72   |           |         | Lamp                       |
|                      |         |       |      |           |         |                            |
|                      |         |       |      |           |         |                            |
|                      |         |       |      |           |         |                            |



## Spare parts

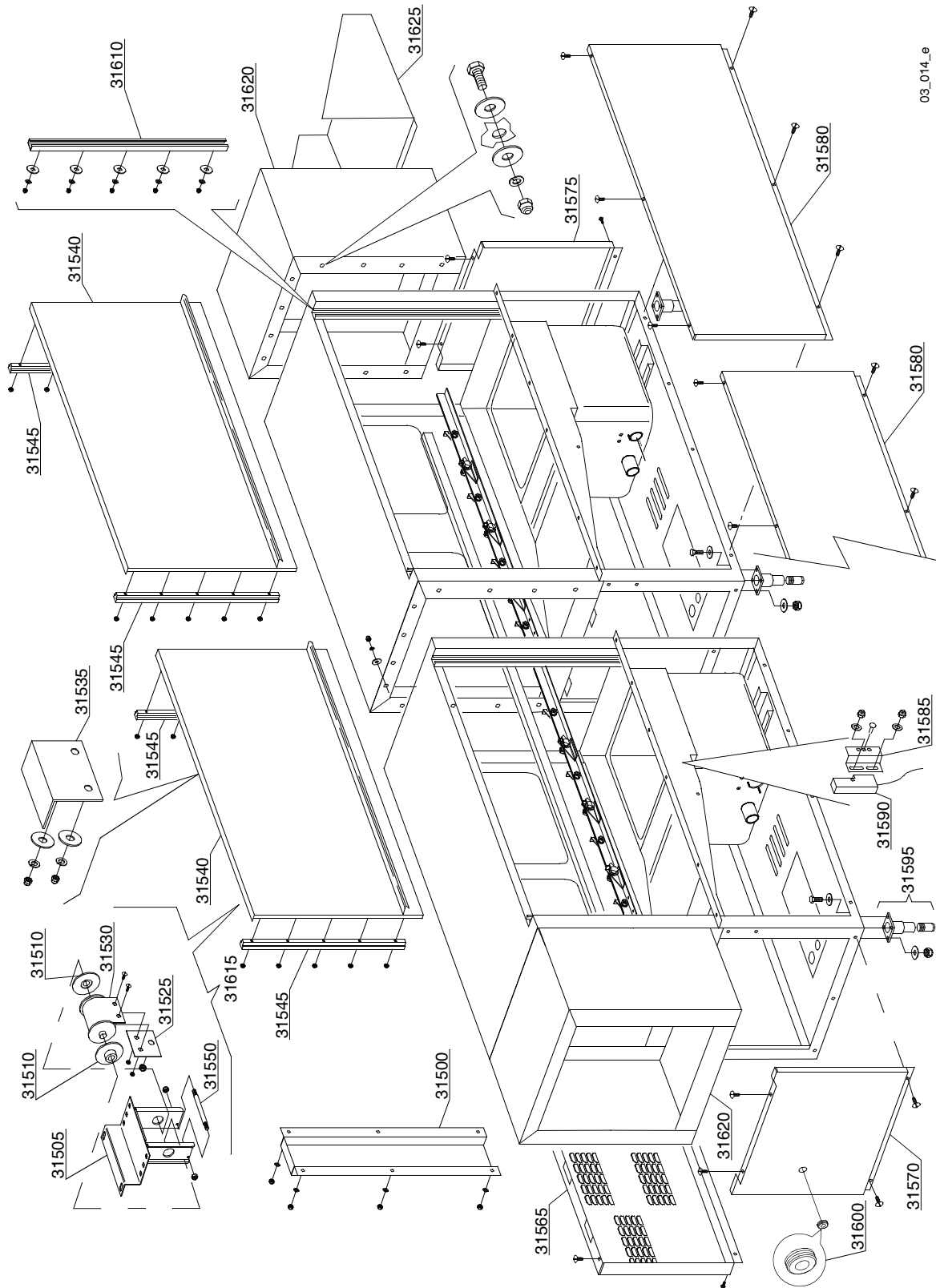
| ID                    | P-code   | Model | Type | Accessory | Voltage | Description                                |
|-----------------------|----------|-------|------|-----------|---------|--|
| MODULE:Electric parts |          |       |      |           |         |  |
| 31700                 | 15160    |       | 72   |           | A       | Fuse 5x20 10A                              |
| 31705                 | 15163    |       | 72   |           | A       | Fuse 5x20 1A                               |
| 31710                 | 3006090  |       | 72   |           | A       | Clamp 35 mm                                |
| 31715                 | 3006091  |       | 72   |           | A       | Earth clamp 35 mm                          |
| 31720                 | 10300403 |       | 72   |           | A       | Clamp 6 mm                                 |
| 31725                 | 3006066  |       | 72   |           | A       | Contacteur                                 |
| 31730                 | 3006072  |       | 72   |           | A       | Double clamp 4 mm                          |
| 31735                 | 3006093  |       | 72   |           | A       | DIN guide backstop                         |
| 31740                 | 2000370  |       | 72   |           | A       | Contacteur MC9                             |
| 31745                 | 2000380  |       | 72   |           | A       | Contacteur BF12 (heating element < 9 kW)   |
| 31745                 | 2000385  |       | 72   |           | A       | Contacteur BF20 (heating element > 9 kW)   |
| 31750                 | 2000385  |       | 72   |           | A       | Contacteur BF20                            |
| 31755                 | 2000390  |       | 72   |           | A       | Motorprotector 1 - 1.6A                    |
| 31760                 | 2000400  |       | 72   |           | A       | Motorprotector 4-6,3A                      |
| 31765                 | 2000394  |       | 72   |           | A       | Motorprotector 2,5-4A                      |
| 31770                 | 3006085  |       | 72   |           | A       | 2 position electrical contactor LMS25      |
| 31770                 | 3006086  |       | 72   |           | A       | 3 position electrical contactor LMS25      |
| 31770                 | 3006100  |       | 72   |           | A       | 4 position electrical contactor LMS25      |
| 31770                 | 3006101  |       | 72   |           | A       | 5 position electrical contactor LMS25      |
| 31775                 | 3006087  |       | 72   |           | A       | Electrical connection                      |
| 31780                 | 2000403  |       | 72   |           | A       | Automatic fuse C20 (heating element < 9kW) |
| 31780                 | 2000404  |       | 72   |           | A       | Automatic fuse C25 (heating element > 9kW) |
| 31790                 | 3006061  |       | 72   |           | A       | Transformer 200VA                          |
| 31800                 | 3006078  |       | 72   |           | A       | Relay                                      |
| 31805                 | 3006079  |       | 72   |           | A       | Base for relay                             |
| 31810                 | 3006080  |       | 72   |           | A       | Auxiliary contact LMS25                    |
| 31815                 | 3006147  |       | 72   |           | A       | Fuse holder                                |
| 31820                 | 3009652  |       | 72   |           | A       | Control panel cover                        |
| 31825                 | 3009146  |       | 72   |           | A       | Electric parts pannel                      |
| 31835                 | 3009654  |       | 72   |           | A       | Control panel case                         |
| 31840                 | 3006092  |       | 72   |           | A       | Clamp 4mm                                  |
| 31845                 | 80419    |       | 72   |           | A       | Cable-fastener PG29                        |
| 31850                 | 80420    |       | 72   |           | A       | Lock nut                                   |
| 31855                 | 80421    |       | 72   |           | A       | Plug PG29                                  |
| 31860                 | 3006144  |       | 72   |           | A       | Fuse holder covering plate                 |
| 31865                 | 3006071  |       | 72   |           | A       | Double clamp covering plate 4mm            |
| 31870                 | 3006083  |       | 72   |           | A       | Clamp covering plate 4mm                   |
| 31875                 | 3006084  |       | 72   |           | A       | Clamp covering plate 35mm                  |
| 31880                 | 3006068  |       | 72   |           | A       | MC9 auxiliary contact 1NO-1NC              |
| 31880                 | 3002057  |       | 72   |           | A       | MC9 auxiliary contact 2NO                  |
| 31880                 | 3002052  |       | 72   |           | A       | MC9 auxiliary contact 2NC                  |
| 31885                 | 3006067  |       | 72   |           | A       | DIN guide support                          |
| 31890                 | 3006161  |       | 72   |           | A       | Electrical bonding bar                     |
| 31895                 | 3006162  |       | 72   |           | A       | Insulators                                 |

**Spare parts**

---

| ID    | P-code  | Model | Type | Accessory | Voltage | Description            |
|-------|---------|-------|------|-----------|---------|------------------------|
| 31900 | 3006163 |       | 72   |           | A       | Connection bar         |
| 31905 | 3006153 |       | 72   |           | A       | Mechanical lock safety |
| 31910 | 3006160 |       | 72   |           | A       | Feed clamp 35mm        |
| 31915 | 3006090 |       | 72   |           | A       | Clamp 35mm (Imax<90A)  |
| 31915 | 3006108 |       | 72   |           | A       | Clamp 70mm (Imax>90A)  |
|       |         |       |      |           |         |                        |
|       |         |       |      |           |         |                        |

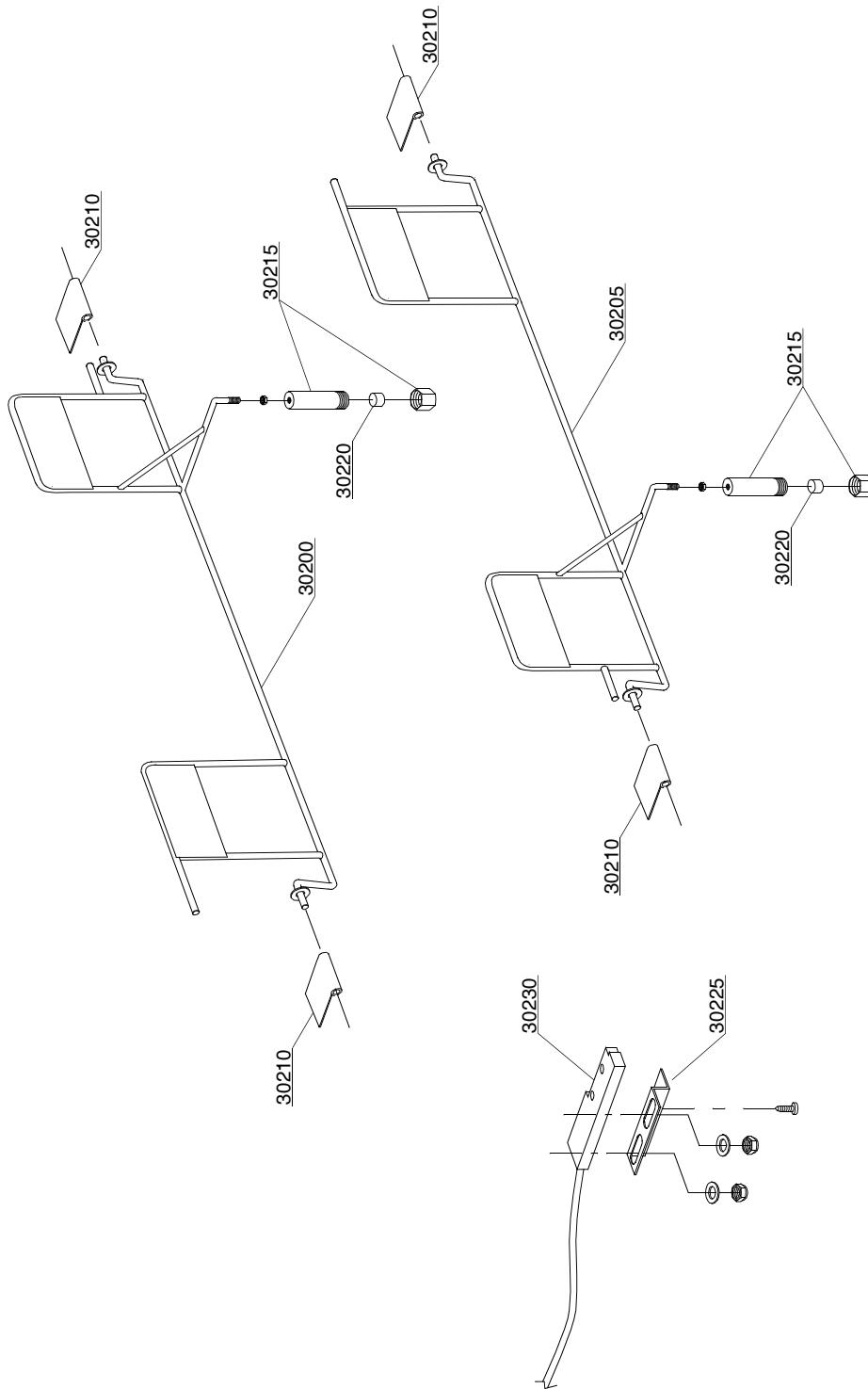




03\_014\_e

## Spare parts

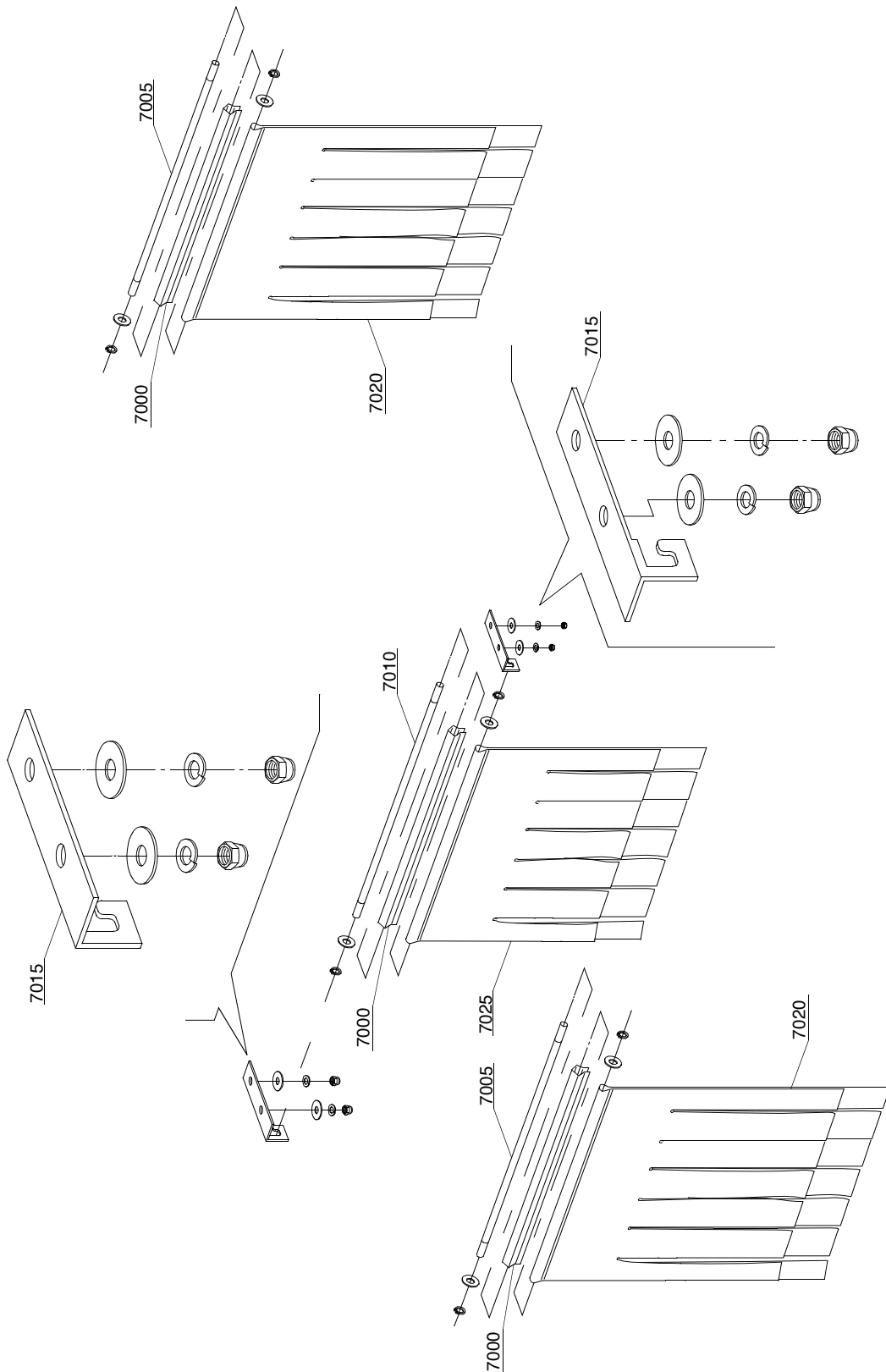
| ID                   | P-code    | Model | Type | Accessory | Voltage | Description             |
|----------------------|-----------|-------|------|-----------|---------|-------------------------|
| MODULE:General parts |           |       |      |           |         |                         |
| 31500                | 3009322   |       | 72   |           |         | Rear cover              |
| 31505                | 3009909   |       | 72   |           |         | Spring support          |
| 31510                | 3004012   |       | 72   |           |         | Spring holder           |
| 31525                | 3009555   |       | 72   |           |         | Spring clamping plate   |
| 31530                | 3004011   |       | 72   |           |         | Door spring BBSR 23     |
| 31535                | 3009269   |       | 72   |           |         | Door stop               |
| 31540                | 3009404   |       | 72   |           |         | Door assembly           |
| 31545                | 3004026   |       | 72   |           |         | Door guide              |
| 31550                | 3003958   |       | 72   |           |         | Pin                     |
| 31565                | 3009173   |       | 72   |           |         | Rear panel              |
| 31570                | 3009189   |       | 72   |           |         | Cover left              |
| 31575                | 3009188   |       | 72   |           |         | Cover right             |
| 31580                | 3009465   |       | 72   |           |         | Front cover             |
| 31585                | 3009112   |       | 72   |           |         | Microswitch support     |
| 31590                | 3003112   |       | 72   |           |         | Door microswitch        |
| 31595                | 80116     |       | 72   |           |         | Foot                    |
| 31600                | 13329     |       | 72   |           |         | Fairlead                |
| 31610                | 3009033   |       | 72   |           |         | Slideways               |
| 31615                | 3009905   |       | 72   |           |         | Spring assembly BBSR 23 |
| 31620                | 999910061 |       | 72   |           |         | Splash zone             |
| 31625                | 3009365   |       | 72   |           |         | Chute                   |
|                      |           |       |      |           |         |                         |
|                      |           |       |      |           |         |                         |
|                      |           |       |      |           |         |                         |
|                      |           |       |      |           |         |                         |
|                      |           |       |      |           |         |                         |



03\_103\_e

## Spare parts

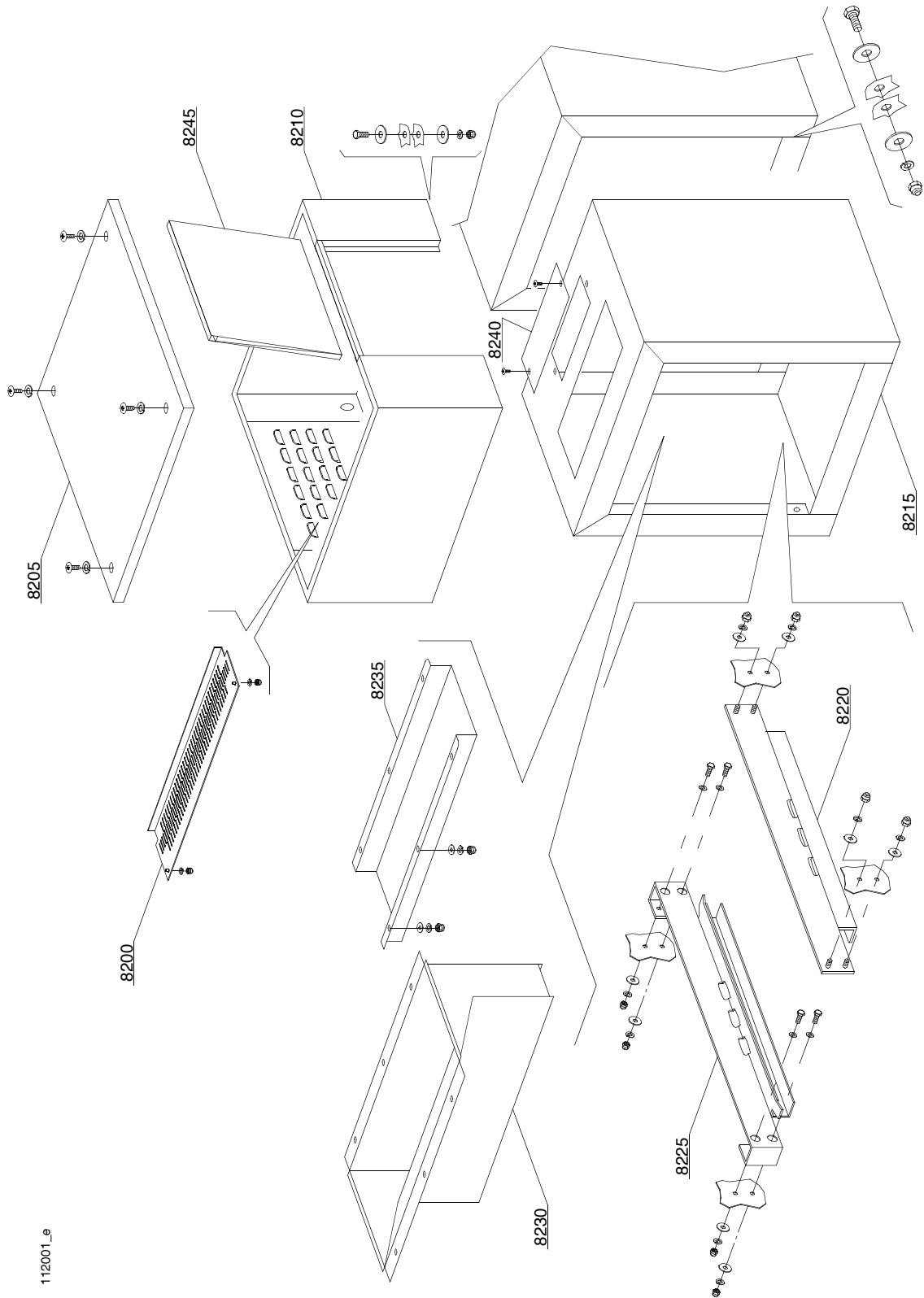
| ID                           | P-code  | Model | Type | Accessory | Voltage | Description              |
|------------------------------|---------|-------|------|-----------|---------|--------------------------|
| MODULE:Economizer components |         |       |      |           |         |                          |
| 30200                        | 3004124 |       | 72   |           |         | Right economizer         |
| 30205                        | 3004125 |       | 72   |           |         | Left economizer          |
| 30210                        | 3003061 |       | 72   |           |         | Economizer support       |
| 30215                        | 3003058 |       | 72   |           |         | Magnet holder            |
| 30220                        | 3003113 |       | 72   |           |         | Magnet                   |
| 30225                        | 3009112 |       | 72   |           |         | Door microswitch support |
| 30230                        | 3003112 |       | 72   |           |         | Door microswitch         |
|                              |         |       |      |           |         |                          |



03\_201\_e

## Spare parts

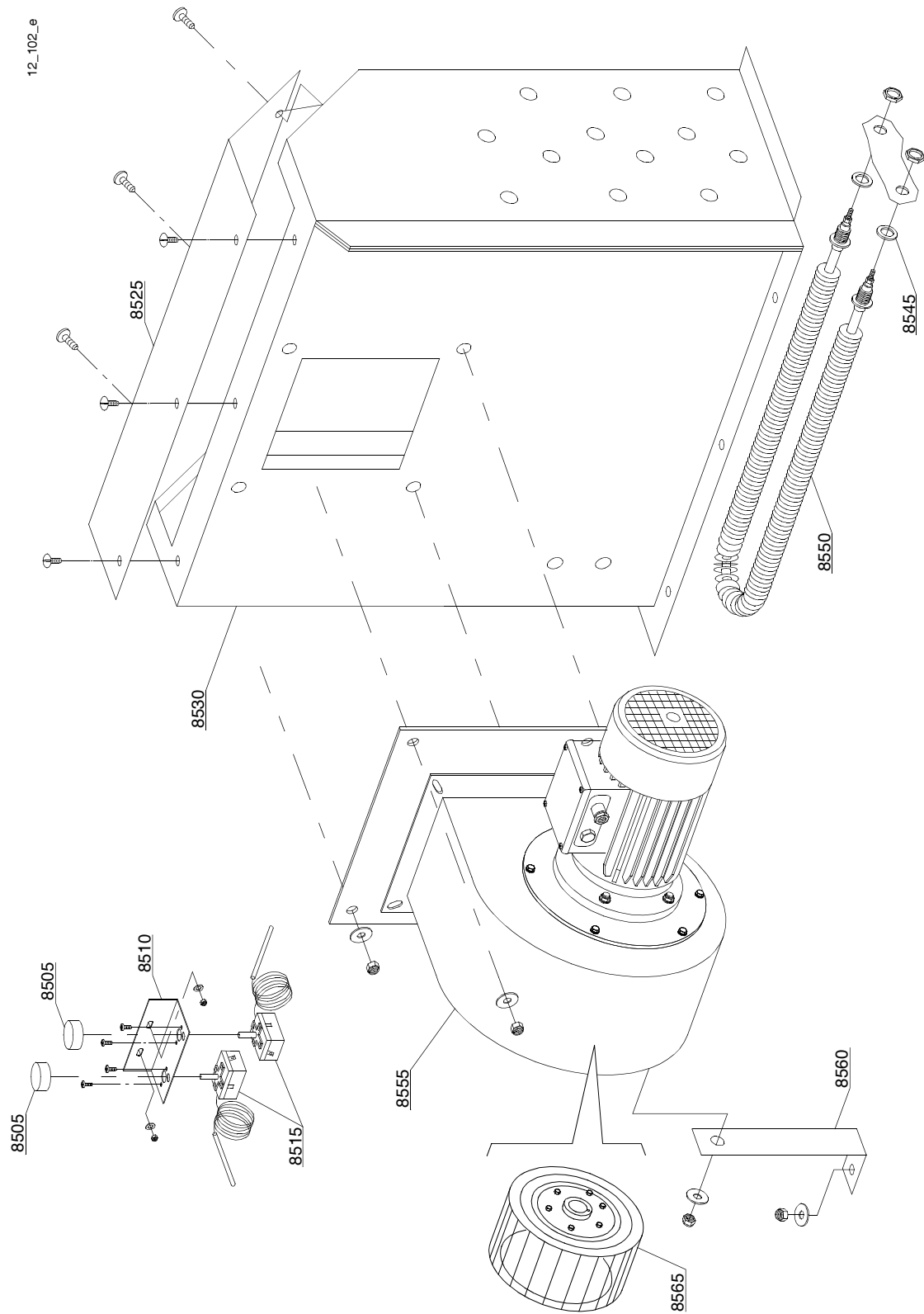
| ID                                | P-code  | Model | Type | Accessory | Voltage | Description       |
|-----------------------------------|---------|-------|------|-----------|---------|-------------------|
| MODULE: Curtains group components |         |       |      |           |         |                   |
| 7000                              | 3009109 |       | 72   |           |         | Curtain moulding  |
| 7005                              | 3004053 |       | 72   |           |         | Curtain rod short |
| 7010                              | 3004052 |       | 72   |           |         | Curtain rod long  |
| 7015                              | 3009110 |       | 72   |           |         | Curtain support   |
| 7020                              | 3004050 |       | 72   |           |         | Curtain long      |
| 7025                              | 3004051 |       | 72   |           |         | Curtain short     |
|                                   |         |       |      |           |         |                   |
|                                   |         |       |      |           |         |                   |
|                                   |         |       |      |           |         |                   |



112001\_e

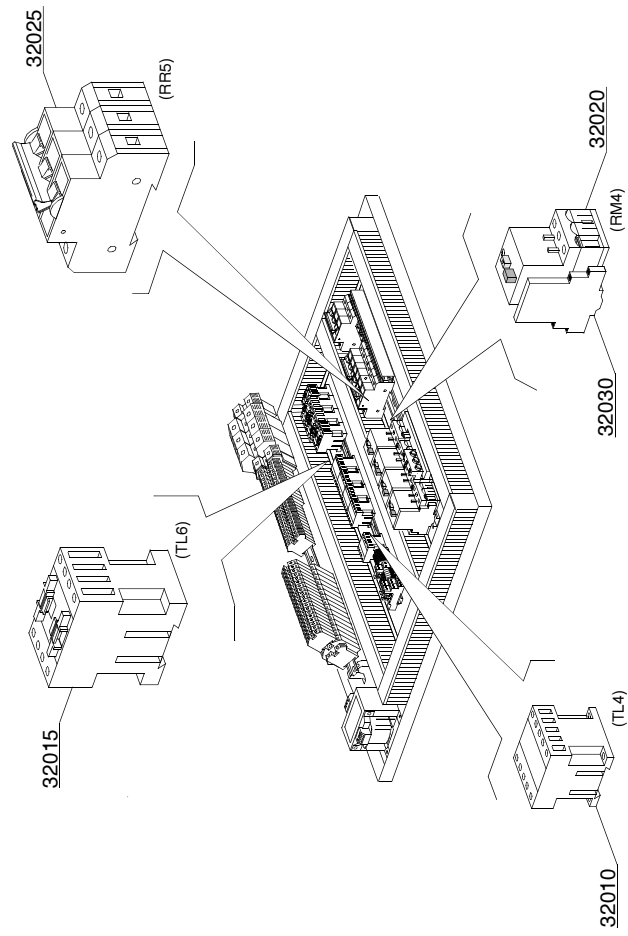
## Spare parts

| ID                                   | P-code    | Model | Type | Accessory | Voltage | Description         |
|--------------------------------------|-----------|-------|------|-----------|---------|---------------------|
| MODULE:Dryer LC 90/2 (12kW) - part 1 |           |       |      |           |         |                     |
| 8200                                 | 3009362/A |       | 72   | d92       |         | Protection          |
| 8205                                 | 3009267   |       | 72   | d92       |         | Cover panel         |
| 8210                                 | 3009484   |       | 72   | d92       |         | Complete body       |
| 8215                                 | 3009485   |       | 72   | d92       |         | Dryer module        |
| 8220                                 | 3009047   |       | 72   | d92       |         | Front slideways     |
| 8225                                 | 3009057   |       | 72   | d92       |         | Back slideways      |
| 8230                                 | 3009492   |       | 72   | d92       |         | Flow conveyor       |
| 8240                                 | 3009100   |       | 72   | d92       |         | Air covering        |
| 8245                                 | 3009268   |       | 72   | d92       |         | Dryer carter lockup |
|                                      |           |       |      |           |         |                     |
|                                      |           |       |      |           |         |                     |



## Spare parts

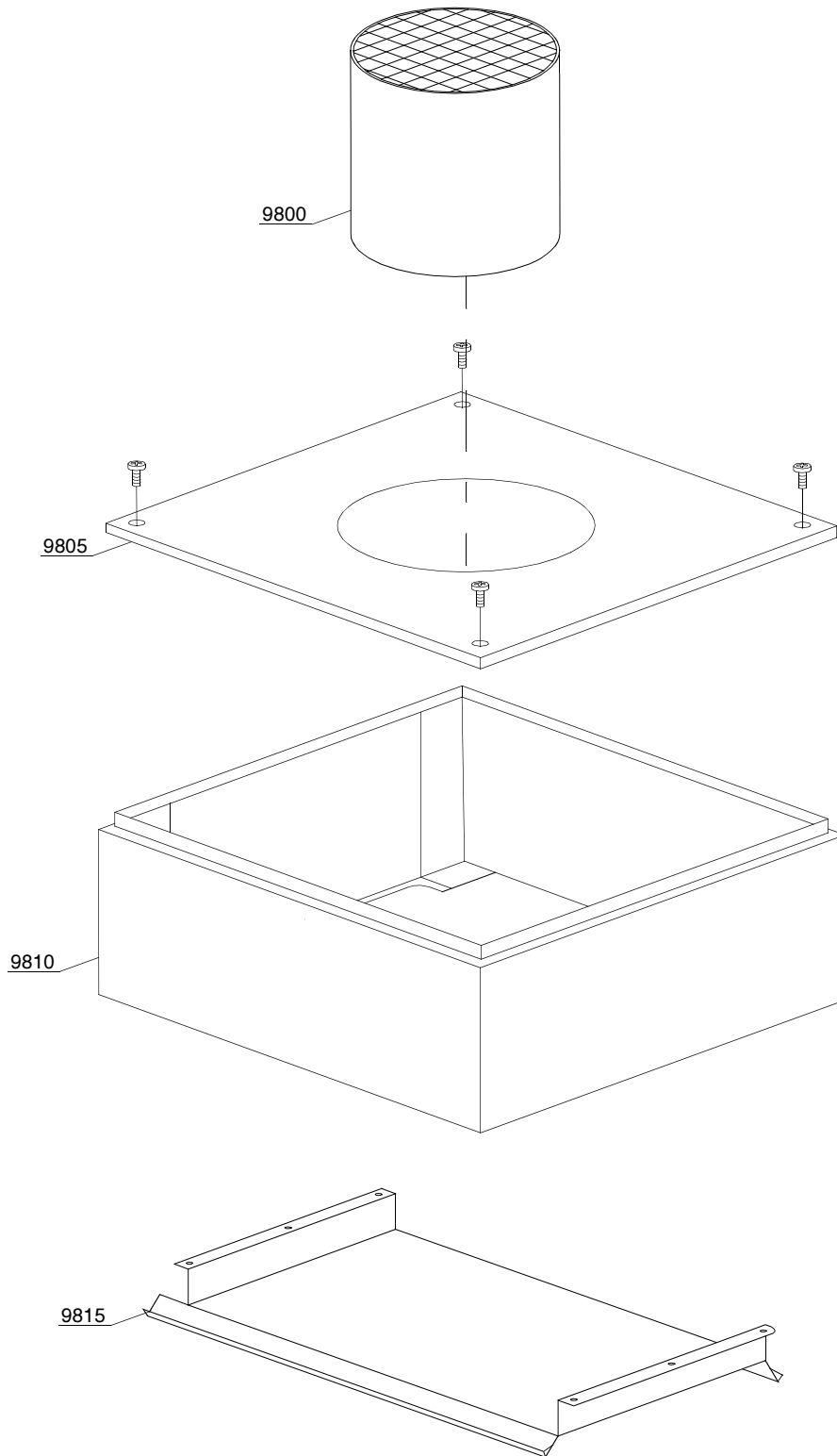
| ID                                   | P-code   | Model | Type | Accessory | Voltage | Description                     |
|--------------------------------------|----------|-------|------|-----------|---------|---------------------------------|
| MODULE:Dryer LC 90/2 (12kW) - part 2 |          |       |      |           |         |                                 |
| 8505                                 | 15105/A  |       | 72   | d92       |         | Thermostat knob                 |
| 8510                                 | 3009104  |       | 72   | d92       |         | Thermostat support              |
| 8515                                 | 10707/2  |       | 72   | d92       |         | Thermostat with shaft 0 - 90°   |
| 8525                                 | 3009085  |       | 72   | d92       |         | Cover drying conveyer           |
| 8530                                 | 3009488  |       | 72   | d92       |         | Right drying conveyer           |
| 8530                                 | 3009489  |       | 72   | d92       |         | Left drying conveyer            |
| 8545                                 | 10200171 |       | 72   | d92       |         | Gasket FASIT 25x17x2            |
| 8550                                 | 2000359  |       | 72   | d92       |         | Drying heating element with nut |
| 8555                                 | 3003118  |       | 72   | d92       |         | Motorfan 0.75 kW                |
| 8555                                 | 3000301  |       | 72   | d92       |         | Motorfan 1,5 kW                 |
| 8560                                 | 3009214  |       | 72   | d92       |         | Motorfan support                |
| 8565                                 | 3003119  |       | 72   | d92       |         | Pump rotor                      |
|                                      |          |       |      |           |         |                                 |
|                                      |          |       |      |           |         |                                 |
|                                      |          |       |      |           |         |                                 |
|                                      |          |       |      |           |         |                                 |



112108\_9

## Spare parts

| ID  | P-code  | Model | Type | Accessory | Voltage | Description                              |
|---|---------|-------|------|-----------|---------|--|
| MODULE:Dryer LC 90/2 (12kW) - electric components |         |       |      |           |         |  |
| 32010   | 2000370 |       | 72   | d92       | A       | Contactora MC9                           |
| 32015   | 2000385 |       | 72   | d92       | A       | Contactora BF20 (LC90/2 - 12kW)          |
| 32020   | 2000394 |       | 72   | d92       | A       | Motorprotector 2,5-4A (Motorfan 0,75 kW) |
| 32020   | 2000400 |       | 72   | d92       | A       | Motorprotector 4-6,3A (Motorfan 1,5 kW)  |
| 32025   | 2000404 |       | 72   | d92       | A       | Automatic fuse C25 (LC90/2 - 12kW)       |
| 32030   | 3006080 |       | 72   | d92       | A       | Auxiliary contact LMS25                  |
|   |         |       |      |           |         |  |
|   |         |       |      |           |         |  |



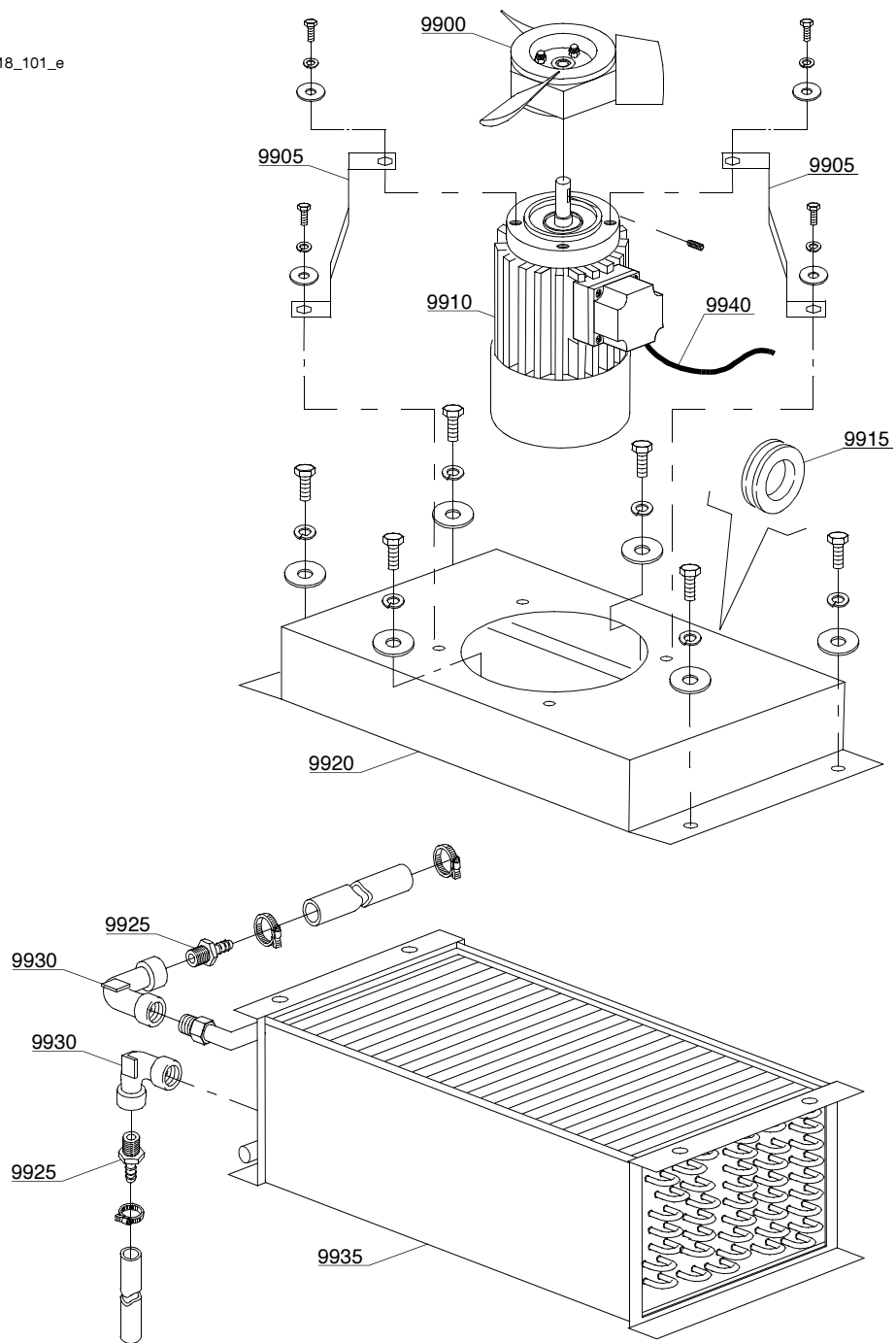
18\_001\_e

**Spare parts**

---

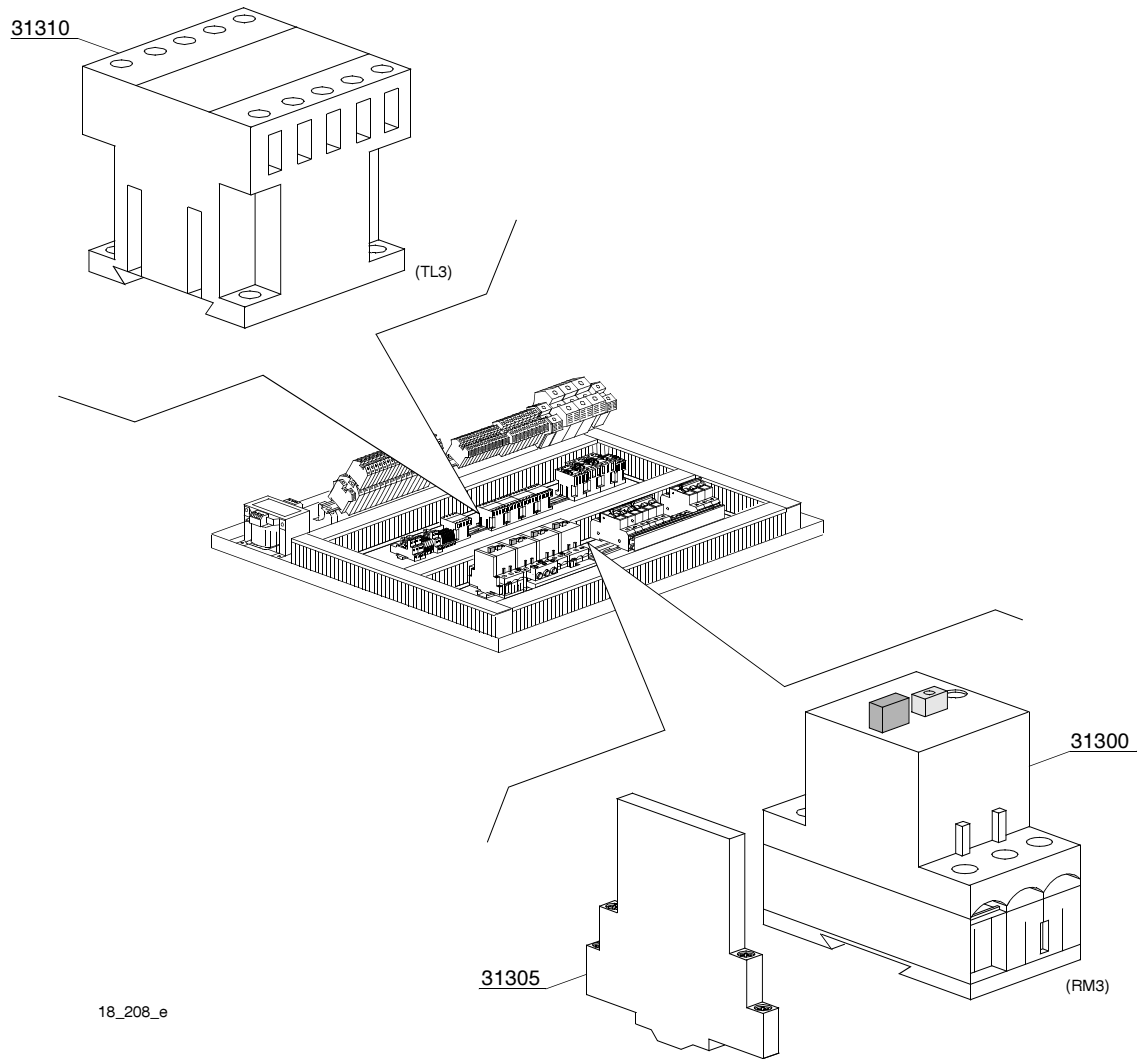
| ID                              | P-code  | Model | Type | Accessory | Voltage | Description     |
|---------------------------------|---------|-------|------|-----------|---------|-----------------|
| MODULE:Steam condenser - part 1 |         |       |      |           |         |                 |
| 9800                            | 3009499 |       | 72   | sc9       |         | Chimney         |
| 9805                            | 3009306 |       | 72   | sc9       |         | Cover with hole |
| 9810                            | 3009502 |       | 72   | sc9       |         | Complete body   |
| 9815                            | 3009090 |       | 72   | sc9       |         | Suction group   |
|                                 |         |       |      |           |         |                 |

18\_101\_e



## Spare parts

| ID                              | P-code  | Model | Type | Accessory | Voltage | Description              |
|---------------------------------|---------|-------|------|-----------|---------|--------------------------|
| MODULE:Steam condenser - part 2 |         |       |      |           |         |                          |
| 9900                            | 3000125 |       | 72   | sc9       |         | Impeller fan             |
| 9905                            | 3009106 |       | 72   | sc9       |         | Motor holder             |
| 9910                            | 3000120 |       | 72   | sc9       | A       | Motor 0.18KW             |
| 9915                            | 13329   |       | 72   | sc9       |         | Fairlead                 |
| 9920                            | 3009079 |       | 72   | sc9       |         | Steam condenser base     |
| 9925                            | 12023   |       | 72   | sc9       |         | Hose holder              |
| 9930                            | 3002139 |       | 72   | sc9       |         | Elbow                    |
| 9935                            | 3000155 |       | 72   | sc9       |         | Heating recovery battery |
| 9940                            | 15184   |       | 72   | sc9       |         | Cable                    |
|                                 |         |       |      |           |         |                          |
|                                 |         |       |      |           |         |                          |

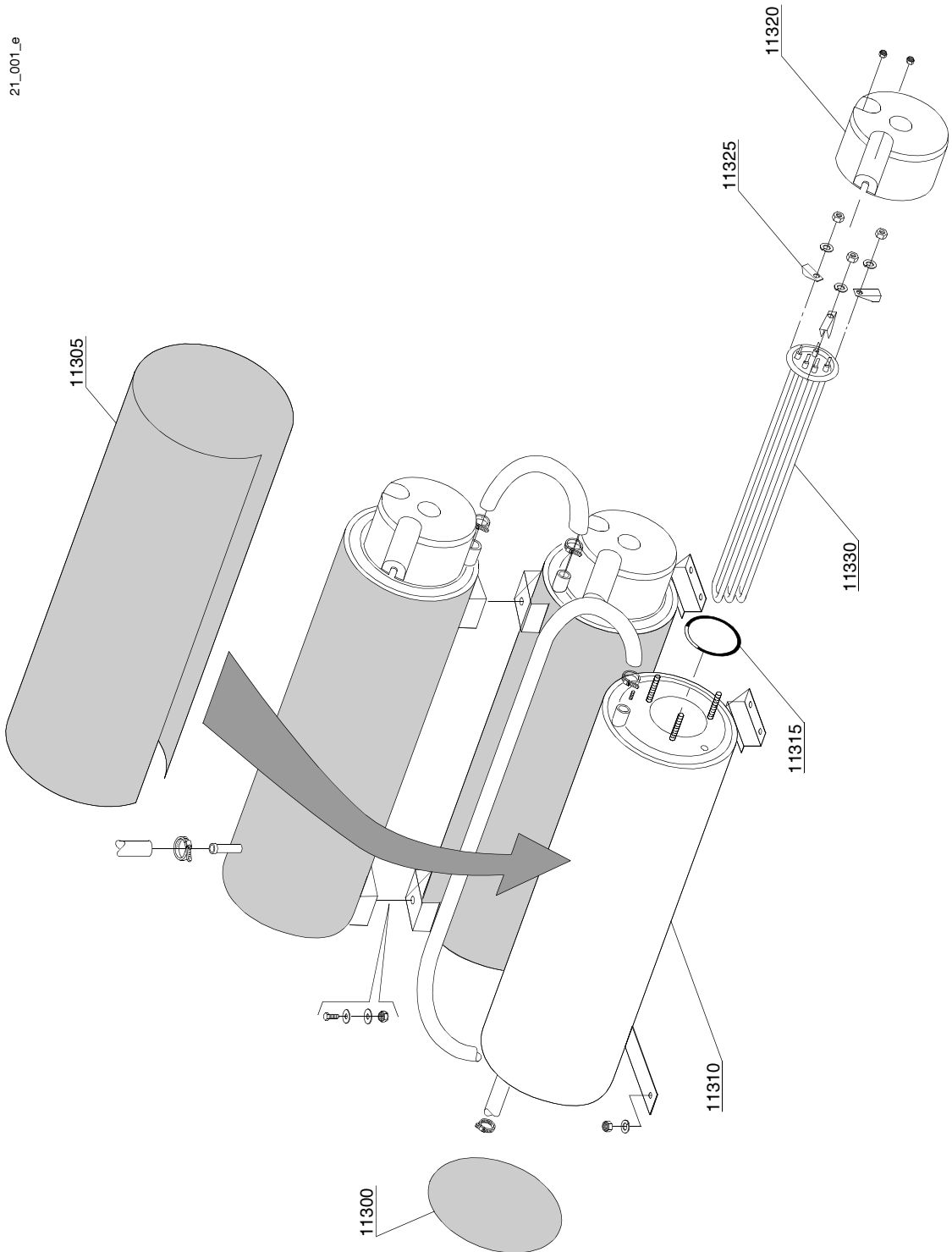


18\_208\_e

**Spare parts**

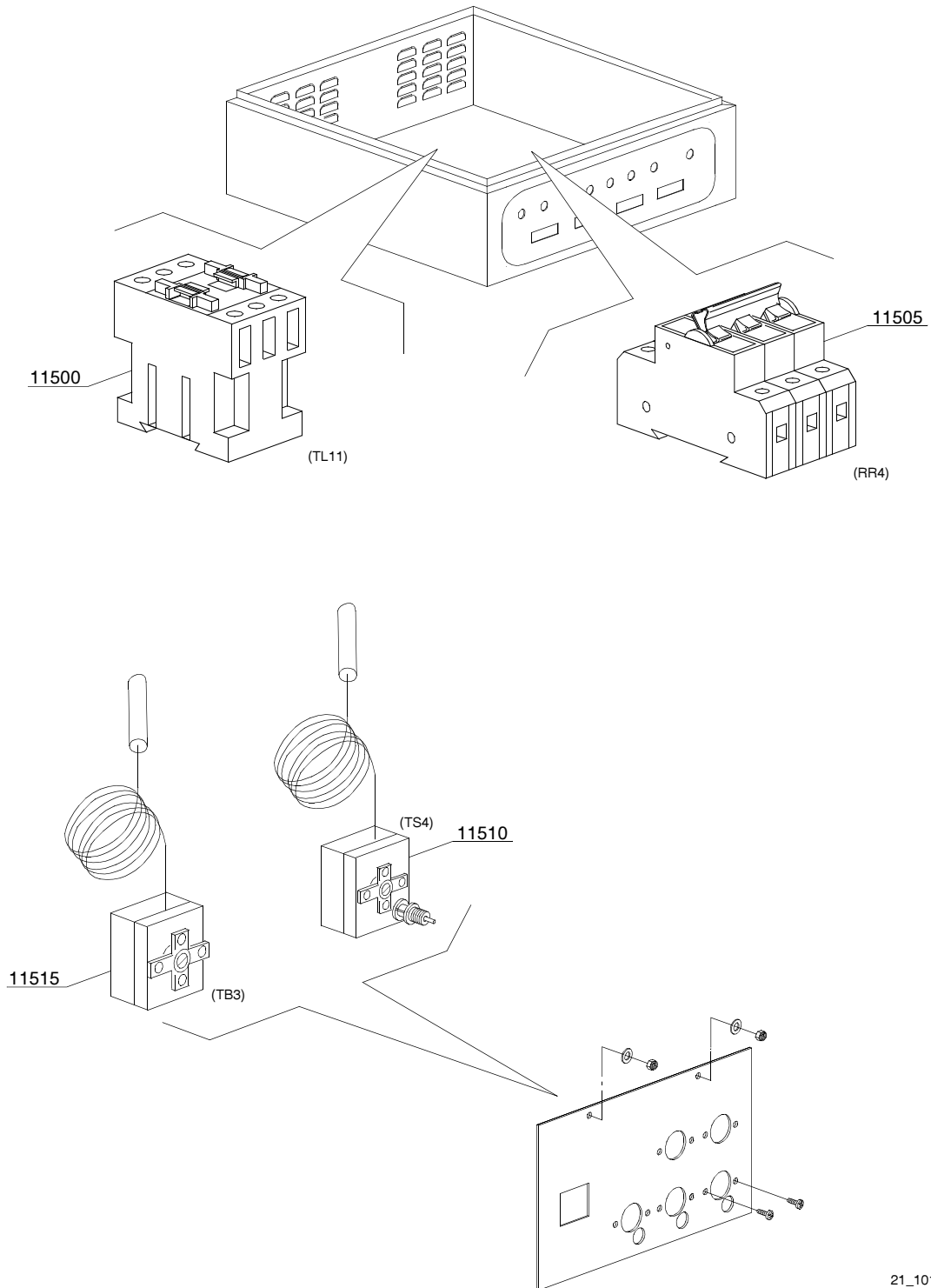
---

| ID                              | P-code  | Model | Type | Accessory | Voltage | Description             |
|---------------------------------|---------|-------|------|-----------|---------|-------------------------|
| MODULE:Steam condenser - part 3 |         |       |      |           |         |                         |
| 31300                           | 2000390 |       | 72   | sc9       | A       | Motorprotector 1 - 1.6A |
| 31305                           | 3006080 |       | 72   | sc9       | A       | Auxiliary contact LMS25 |
| 31310                           | 2000370 |       | 72   | sc9       | A       | Contactore MC9          |
|                                 |         |       |      |           |         |                         |



## Spare parts

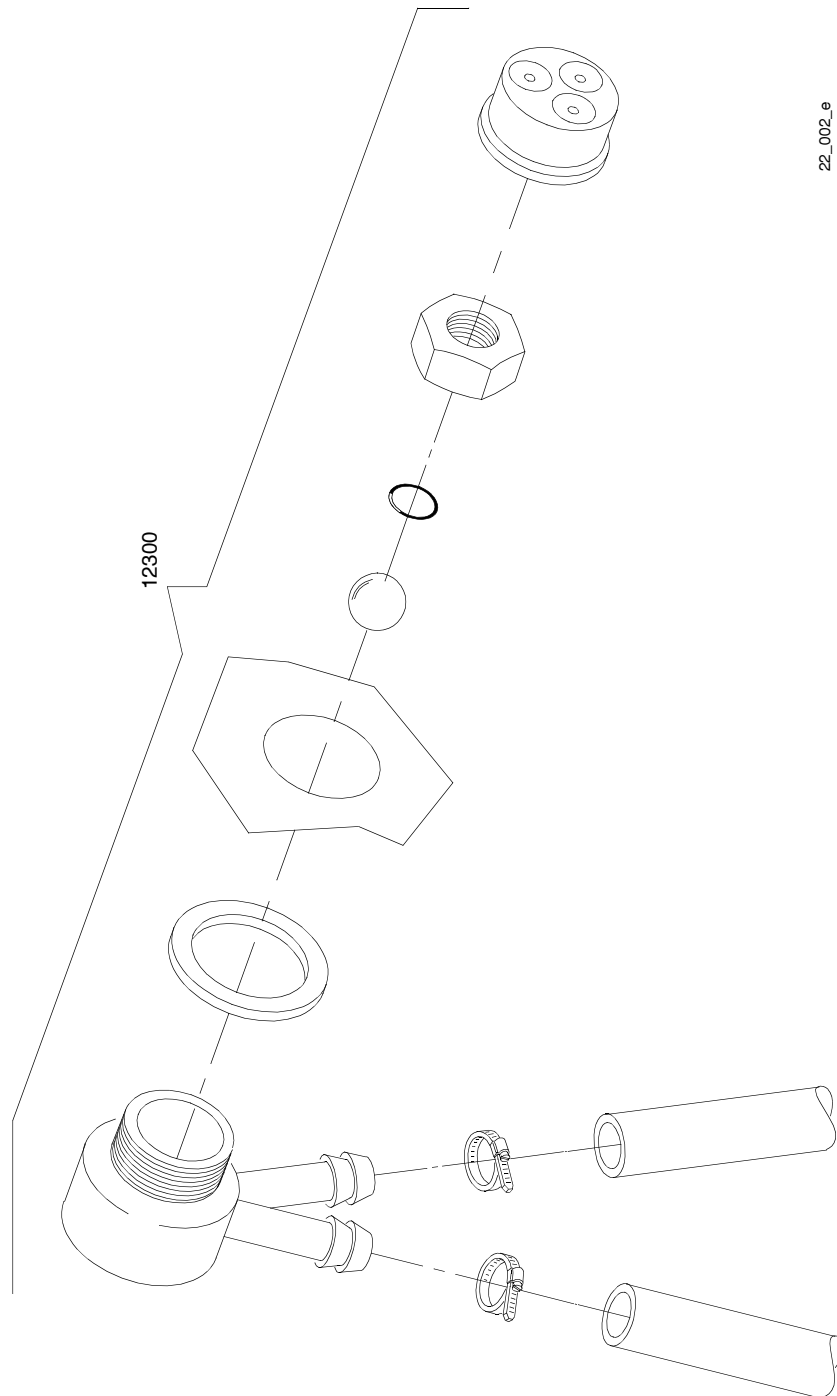
| ID                                  | P-code     | Model | Type | Accessory | Voltage | Description                  |
|-------------------------------------|------------|-------|------|-----------|---------|------------------------------|
| MODULE:Additional boiler components |            |       |      |           |         |                              |
| 11300                               | 75205      |       | 72   | cw        |         | Bottom boiler insulating     |
| 11305                               | 30002030   |       | 72   | cw        |         | Boiler insulating            |
| 11310                               | 3007012    |       | 72   | cw        |         | Boiler                       |
| 11315                               | 13015      |       | 72   | cw        |         | O-ring 160 (6225)            |
| 11320                               | 75311      |       | 72   | cw        |         | Heating element cover        |
| 11325                               | 16045      |       | 72   | cw        |         | Heating element support Ø6,3 |
| 11330                               | 30001010   |       | 72   | cw        | A       | Heating element 6kW          |
| 11330                               | 30001011   |       | 72   | cw        | A       | Heating element 9kW          |
| 11330                               | 30001011/A |       | 72   | cw        | A       | Heating element 12kW         |
| 11330                               | 30001011/B |       | 72   | cw        | A       | Heating element 14kW         |



21\_101\_€

## Spare parts

| ID  | P-code  | Model | Type | Accessory | Voltage | Description                                 |
|---|---------|-------|------|-----------|---------|---|
| MODULE:Additional boiler: electrical components |         |       |      |           |         |   |
| 11500   | 2000380 |       | 72   | cw        | A       | Contactora BF12 (heating element < 9 kW)    |
| 11500   | 2000385 |       | 72   | cw        | A       | Contactora BF20 (heating element > 9 kW)    |
| 11505   | 2000403 |       | 72   | cw        | A       | Automatic fuse C20 (heating element < 9 kW) |
| 11505   | 2000404 |       | 72   | cw        | A       | Automatic fuse C25 (heating element > 9 kW) |
| 11510   | 2000430 |       | 72   | cw        |         | Safety thermostat                           |
| 11515   | 10707/1 |       | 72   | cw        |         | Thermostat 0 - 90° (TB2)                    |
|   |         |       |      |           |         |   |
|   |         |       |      |           |         |   |
|   |         |       |      |           |         |   |
|   |         |       |      |           |         |   |

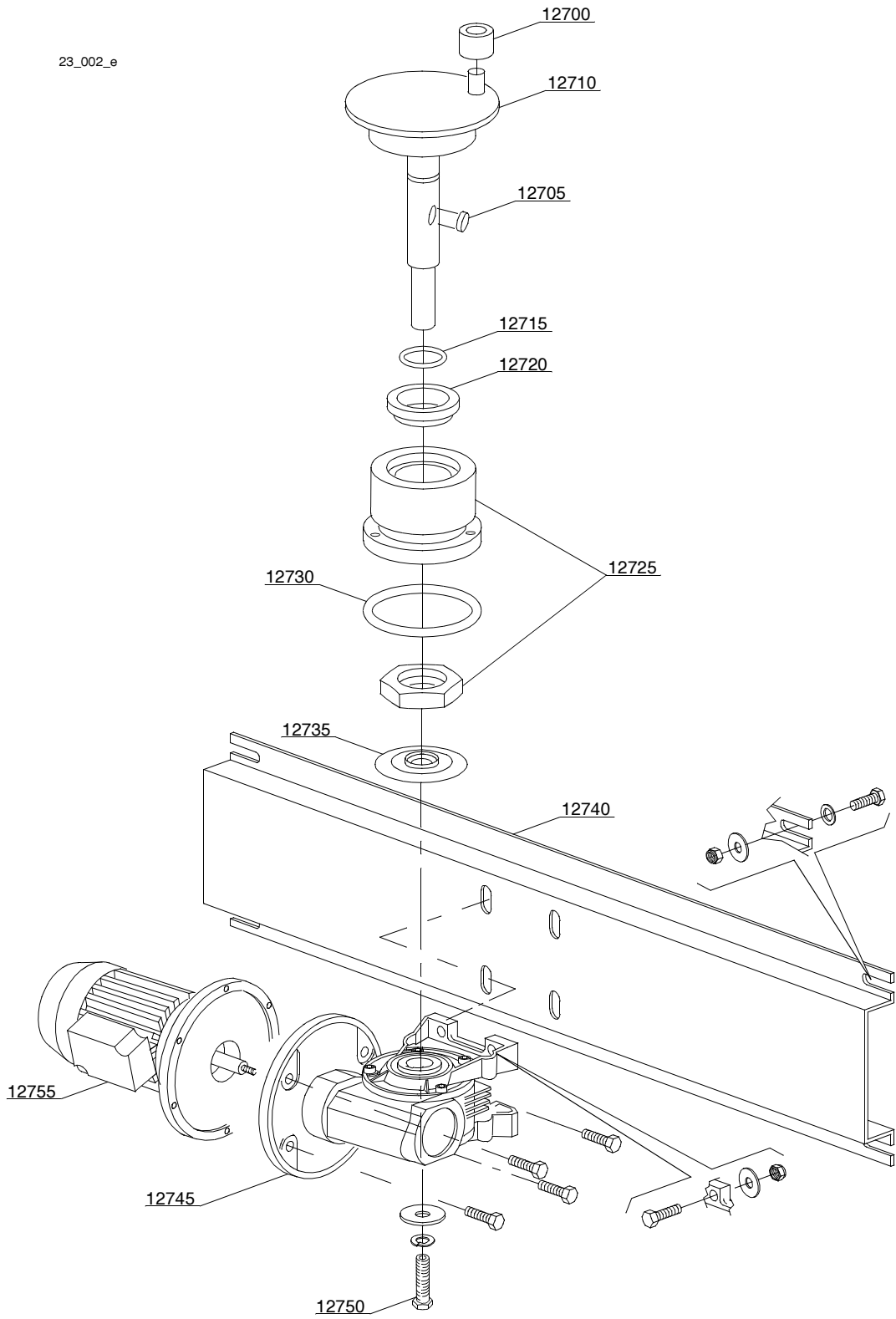


**Spare parts**

---

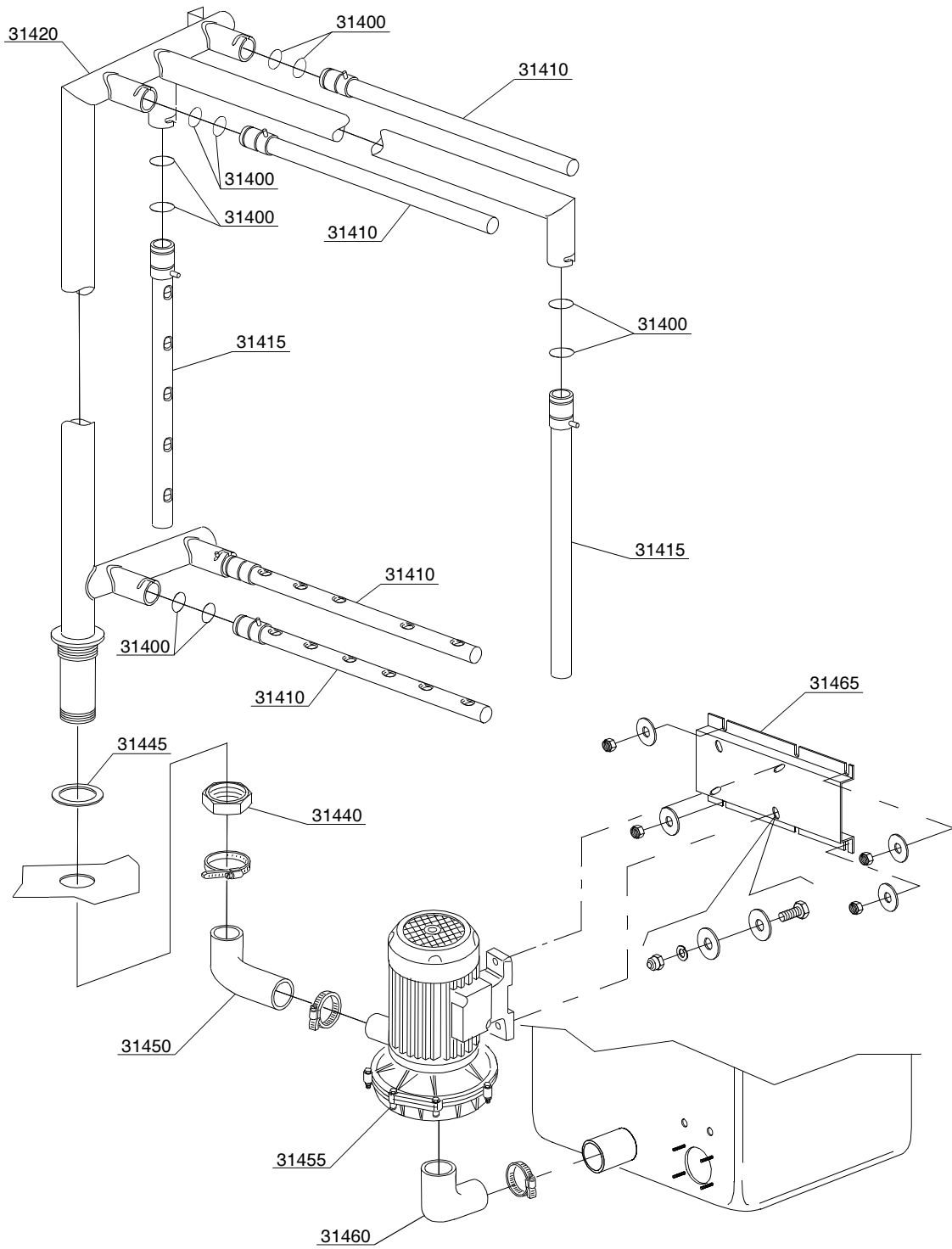
| ID                | P-code    | Model | Type | Accessory | Voltage | Description           |
|-------------------|-----------|-------|------|-----------|---------|-----------------------|
| MODULE:DVGW valve |           |       |      |           |         |                       |
| 12300             | 999900006 |       | 72   | dvgw      |         | DVGW valvola assembly |
|                   |           |       |      |           |         |                       |
|                   |           |       |      |           |         |                       |

23\_002\_e



## Spare parts

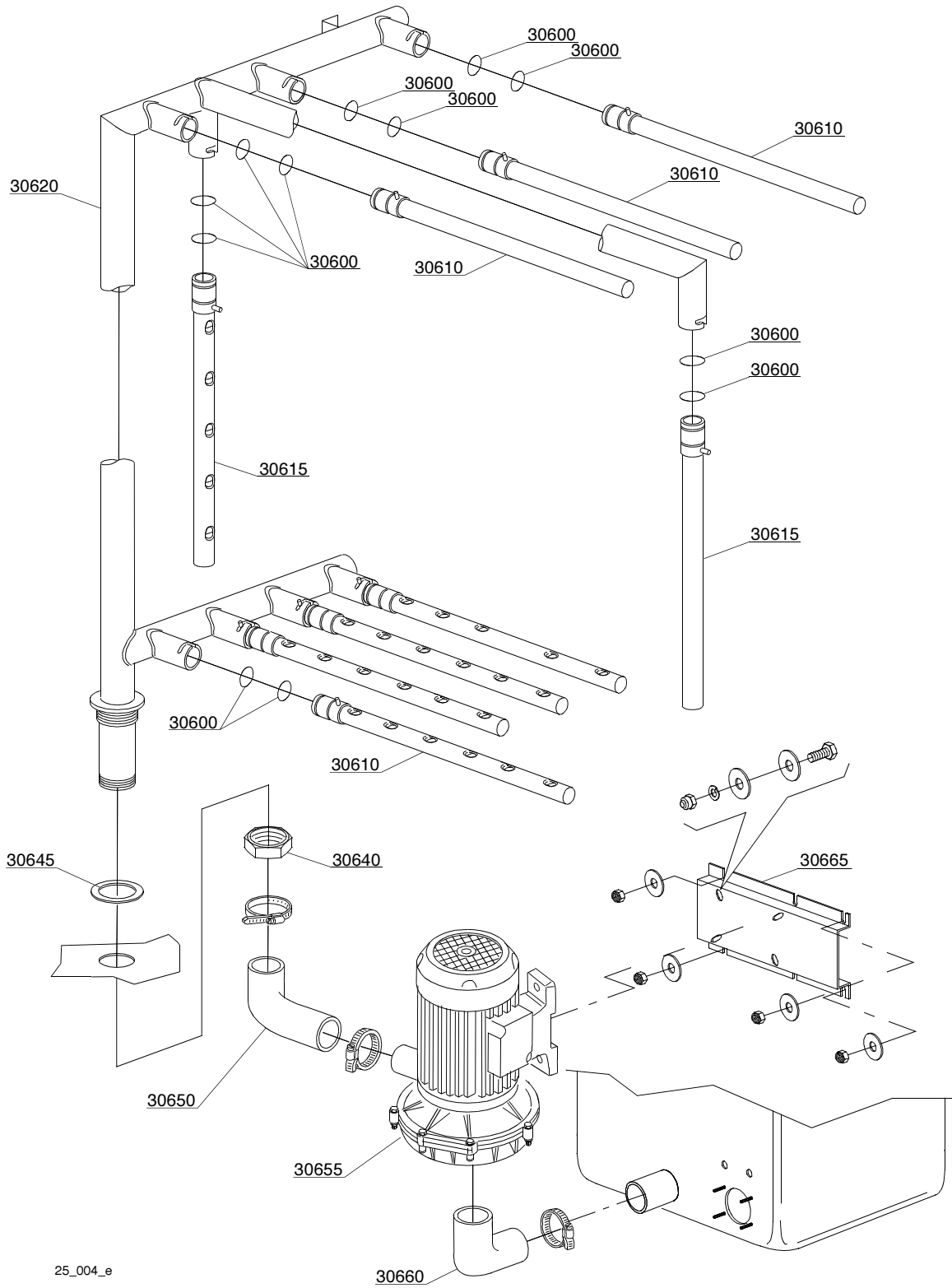
| ID                                      | P-code  | Model | Type | Accessory | Voltage | Description                                    |
|---|---------|-------|------|-----------|---------|--|
| MODULE:Motorgear components module 1300 |         |       |      |           |         |  |
| 12700                                   | 3003012 |       | 72   |           |         | Conveyor roller                                |
| 12705                                   | 2001046 |       | 72   |           |         | Key  |
| 12710                                   | 3003116 |       | 72   |           |         | Crank shaft                                    |
| 12715                                   | 13023   |       | 72   |           |         | O-ring 131 (4093)                              |
| 12720                                   | 13024   |       | 72   |           |         | Oil splash guard DEM 40 TC 30x42x7 with spring |
| 12725                                   | 3004131 |       | 72   |           |         | Coupling part serie                            |
| 12730                                   | 13015   |       | 72   |           |         | O-ring 160 (6225)                              |
| 12735                                   | 3004161 |       | 72   |           |         | Protection disk                                |
| 12740                                   | 3009060 |       | 72   |           |         | Motorgear support                              |
| 12745                                   | 3000216 |       | 72   |           |         | Gear right 1:36                                |
| 12745                                   | 3000217 |       | 72   |           |         | Gear left 1:36                                 |
| 12745                                   | 3000218 |       | 72   |           |         | Gear right 1:28                                |
| 12745                                   | 3000219 |       | 72   |           |         | Gear left 1:28                                 |
| 12750                                   | 11165   |       | 72   |           |         | Screw  |
| 12755                                   | 3000110 |       | 72   |           | A       | Conveyor motor                                 |
| 12755                                   | 3000109 |       | 72   | csa       |         | Conveyor motor                                 |
|   |         |       |      |           |         |  |
|   |         |       |      |           |         |  |
|   |         |       |      |           |         |  |



24\_003\_e

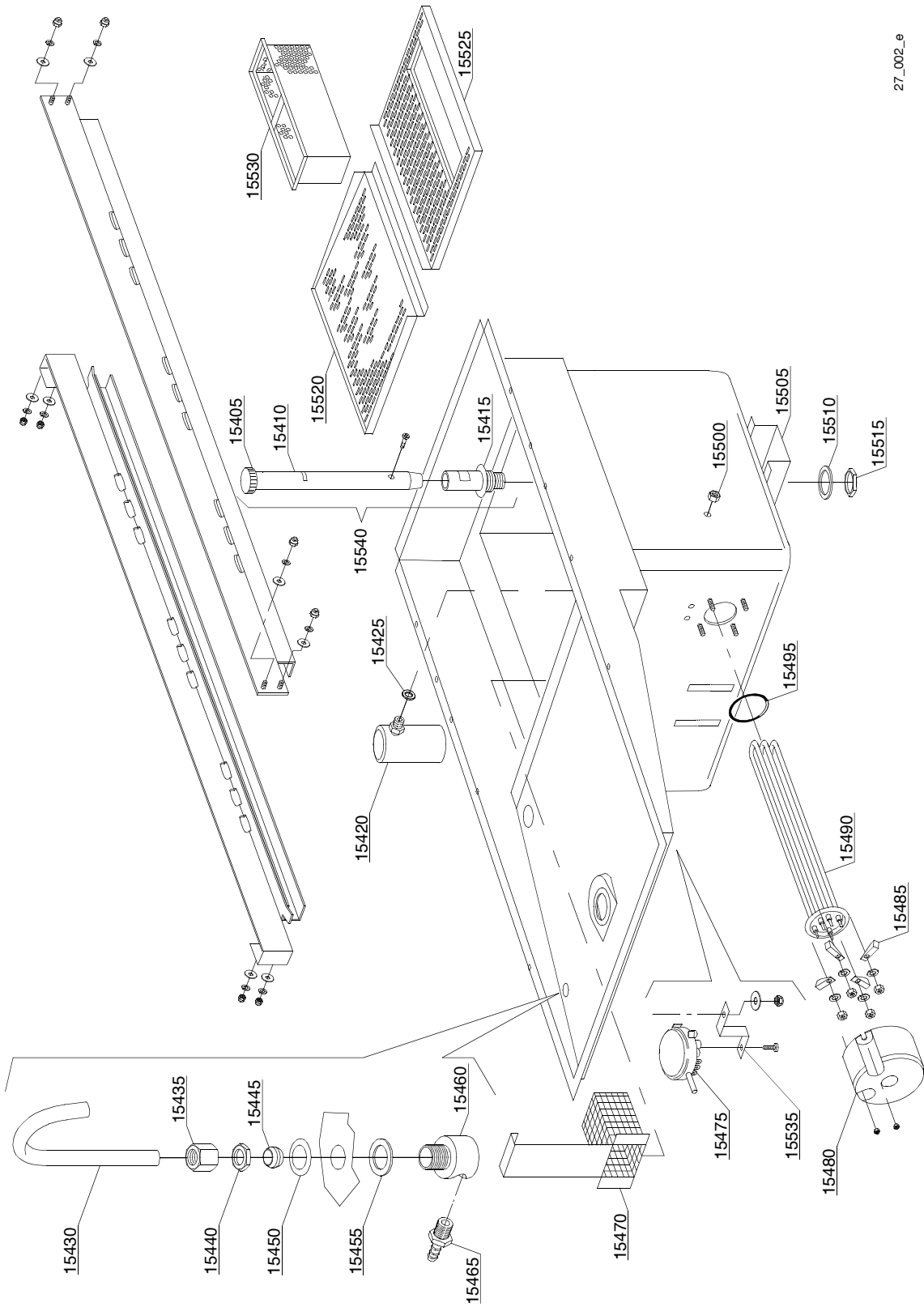
## Spare parts

| ID                           | P-code     | Model | Type | Accessory | Voltage | Description            |
|------------------------------|------------|-------|------|-----------|---------|------------------------|
| MODULE:Prewashing components |            |       |      |           |         |                        |
| 31400                        | 13000      |       | 72   |           |         | O-ring 3125            |
| 31410                        | 3019090    |       | 72   |           |         | Horizontal wash arm    |
| 31415                        | 3004141    |       | 72   |           |         | Vertical wash arm      |
| 31420                        | 3004156    |       | 72   |           |         | Right wash ramp        |
| 31420                        | 3004155    |       | 72   |           |         | Left wash ramp         |
| 31440                        | 10600012   |       | 72   |           |         | Flat nut               |
| 31445                        | 10200173/A |       | 72   |           |         | Gasket 75x58x3         |
| 31450                        | 3004025    |       | 72   |           |         | Elbow coupling press.  |
| 31455                        | 22037      |       | 72   |           | A       | Pump 1.5 kW            |
| 31455                        | 22037/3    |       | 72   |           | A       | Pump 1.5 kW - 60 Hz    |
| 31460                        | 3002020    |       | 72   |           |         | Suction elbow coupling |
| 31465                        | 3009148    |       | 72   |           |         | Pump support           |
|                              |            |       |      |           |         |                        |
|                              |            |       |      |           |         |                        |
|                              |            |       |      |           |         |                        |



## Spare parts

| ID                        | P-code     | Model | Type | Accessory | Voltage | Description                    |
|---------------------------|------------|-------|------|-----------|---------|--------------------------------|
| MODULE:Washing components |            |       |      |           |         |                                |
| 30600                     | 13000      |       | 72   |           |         | O-ring 3125                    |
| 30610                     | 3019080    |       | 72   |           |         | Horizontal wash arm            |
| 30615                     | 3004141    |       | 72   |           |         | Vertical wash arm              |
| 30620                     | 3004055    |       | 72   |           |         | Right wash ramp                |
| 30620                     | 3004056    |       | 72   |           |         | Left wash ramp                 |
| 30640                     | 10600012   |       | 72   |           |         | Flat nut                       |
| 30645                     | 10200173/A |       | 72   |           |         | Gasket 75x58x3                 |
| 30650                     | 3004025    |       | 72   |           |         | Elbow coupling press.          |
| 30655                     | 88106      |       | 72   |           | A       | Pump 2 kW                      |
| 30655                     | 88106/B    |       | 72   |           | H       | Pump 2 kW - 220/380-415 V 60Hz |
| 30655                     | 88106/E    |       | 72   |           |         | Pump 2 kW - 240/415 V 50Hz     |
| 30660                     | 3002020    |       | 72   |           |         | Suction elbow coupling         |
| 30665                     | 3009148    |       | 72   |           |         | Pump support                   |
|                           |            |       |      |           |         |                                |
|                           |            |       |      |           |         |                                |
|                           |            |       |      |           |         |                                |
|                           |            |       |      |           |         |                                |
|                           |            |       |      |           |         |                                |

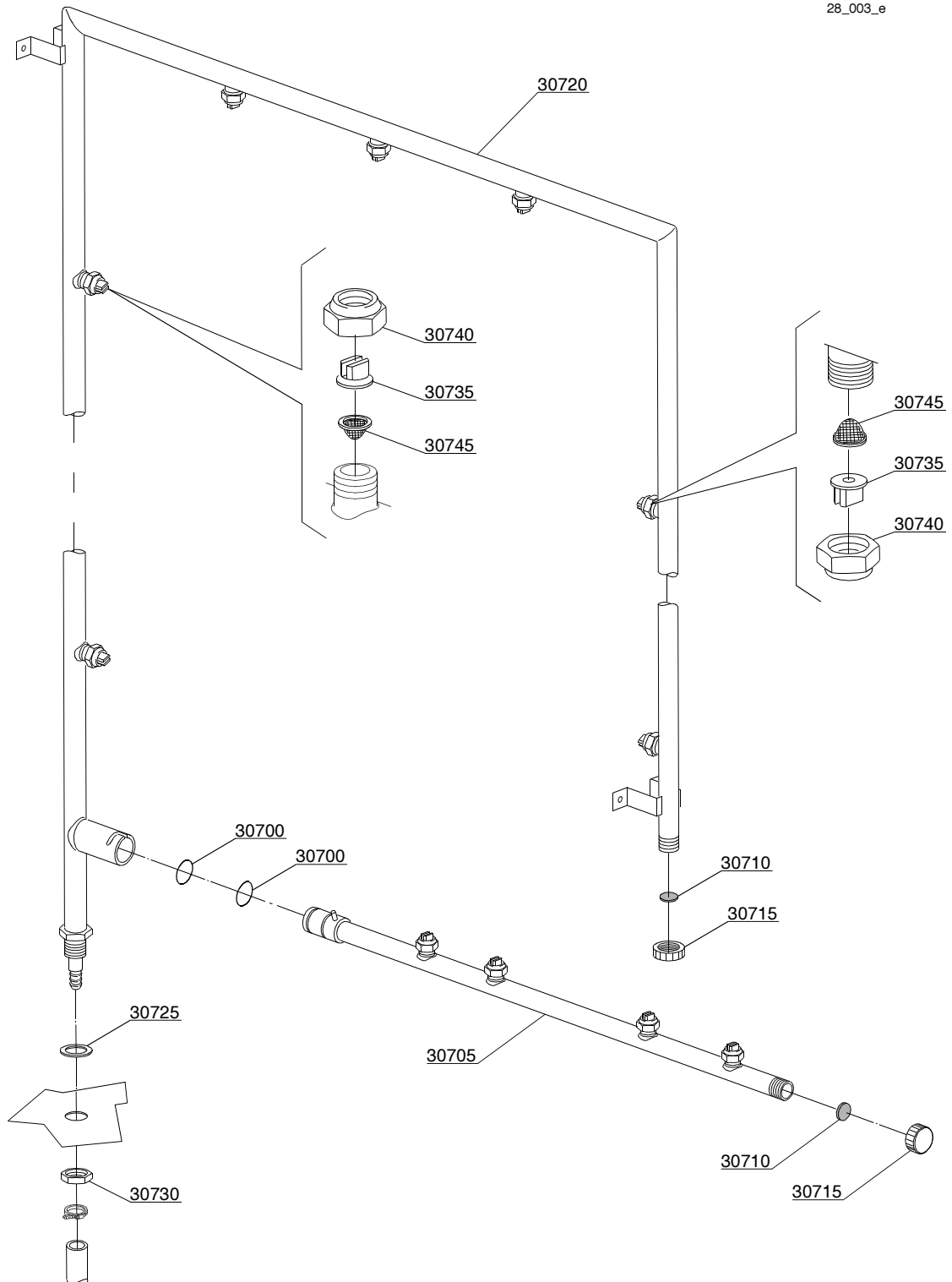


27\_002\_e

## Spare parts

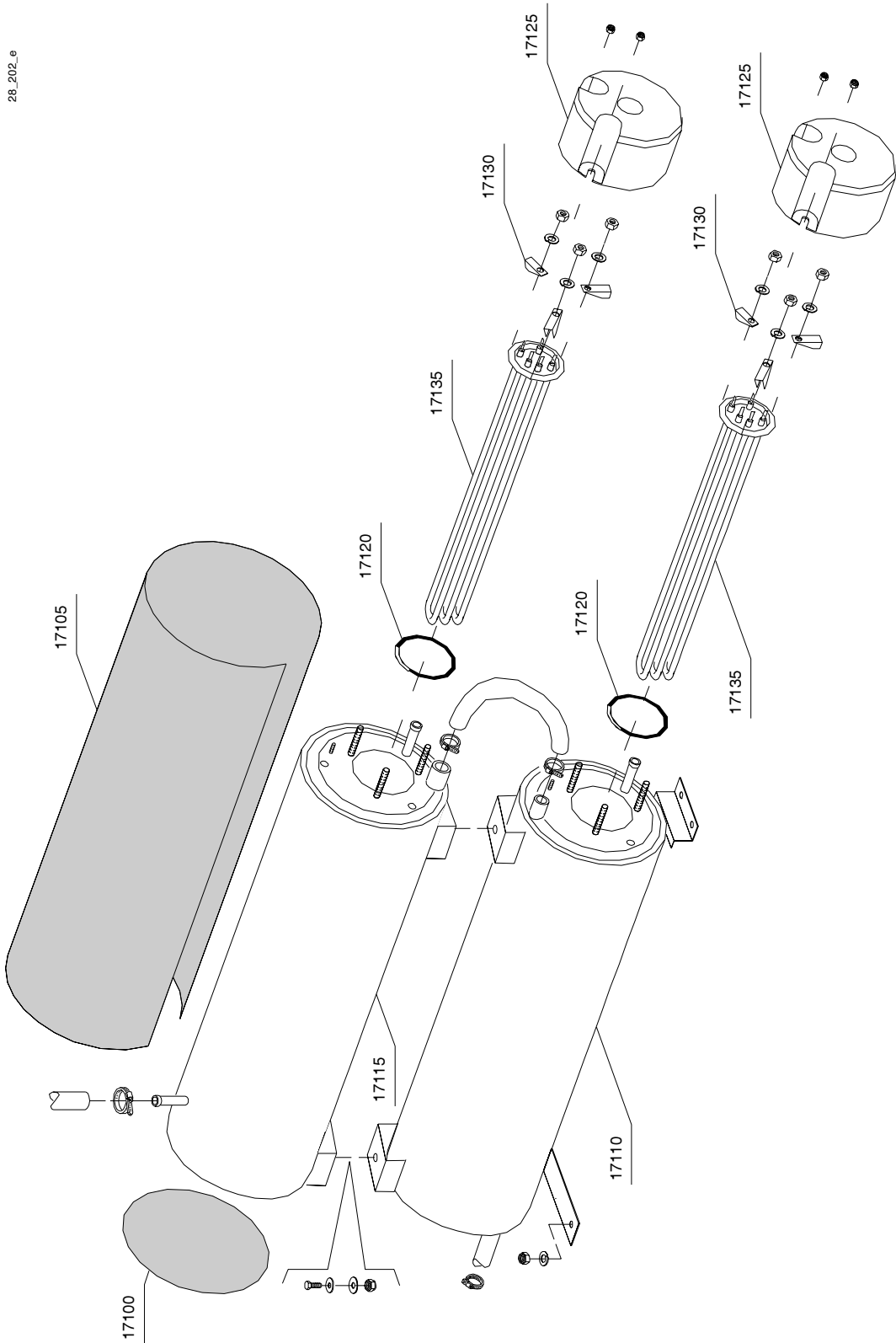
| ID   | P-code     | Model | Type | Accessory | Voltage | Description                  |
|--|------------|-------|------|-----------|---------|------------------------------|
| MODULE:Internal components washing module 1300 |            |       |      |           |         |                              |
| 15405  | 88105      |       | 72   |           |         | Overflow pipe plug           |
| 15410  | 2000477    |       | 72   |           |         | Overflow pipe                |
| 15410  | 3004094    |       | 72   |           |         | Overflow pipe                |
| 15415  | 3004099    |       | 72   |           |         | Overflow device support      |
| 15420  | 80106      |       | 72   |           |         | Air trap                     |
| 15425  | 13301      |       | 72   |           |         | Gasket ROLMART 14x8x1.5      |
| 15430  | 3004054    |       | 72   |           |         | Inlet pipe                   |
| 15435  | 10600016   |       | 72   |           |         | Nut                          |
| 15440  | 10200101   |       | 72   |           |         | Nut                          |
| 15445  | 10200182   |       | 72   |           |         | Cone                         |
| 15450  | 3009387    |       | 72   |           |         | Washer                       |
| 15455  | 10200171   |       | 72   |           |         | Gasket FASIT 25x17x2         |
| 15460  | 80231      |       | 72   |           |         | Fitting                      |
| 15465  | 12005      |       | 72   |           |         | Hose holder                  |
| 15470  | 3019071    |       | 72   |           |         | Pump suction-filter          |
| 15475  | 88110      |       | 72   |           |         | Pressure switch (260-30)     |
| 15480  | 75311      |       | 72   |           |         | Heating element cover        |
| 15485  | 16045      |       | 72   |           |         | Heating element support Ø6.3 |
| 15490  | 30001011   |       | 72   |           | A       | Heating element 9kW          |
| 15490  | 30001011/A |       | 72   |           | A       | Heating element 12kW         |
| 15490  | 30001011/B |       | 72   |           | A       | Heating element 14kW         |
| 15495  | 13015      |       | 72   |           |         | O-ring 160 (6225)            |
| 15500  | 11702      |       | 72   |           |         | Nut                          |
| 15505  | 3009299    |       | 72   |           |         | Tank support                 |
| 15510  | 10200173   |       | 72   |           |         | Gasket 75x58x3               |
| 15515  | 10600012   |       | 72   |           |         | Flat nut                     |
| 15520  | 3009567    |       | 72   |           |         | Strainer plate, back         |
| 15525  | 3019074    |       | 72   |           |         | Strainer plate front         |
| 15530  | 3019065    |       | 72   |           |         | Scrap tray                   |
| 15535  | 3009363    |       | 72   |           |         | Pressure switch support      |
| 15540  | 3004115    |       | 72   |           |         | Overflow pipe assembly       |
|  |            |       |      |           |         |                              |
|  |            |       |      |           |         |                              |
|  |            |       |      |           |         |                              |
|  |            |       |      |           |         |                              |

28\_003\_e



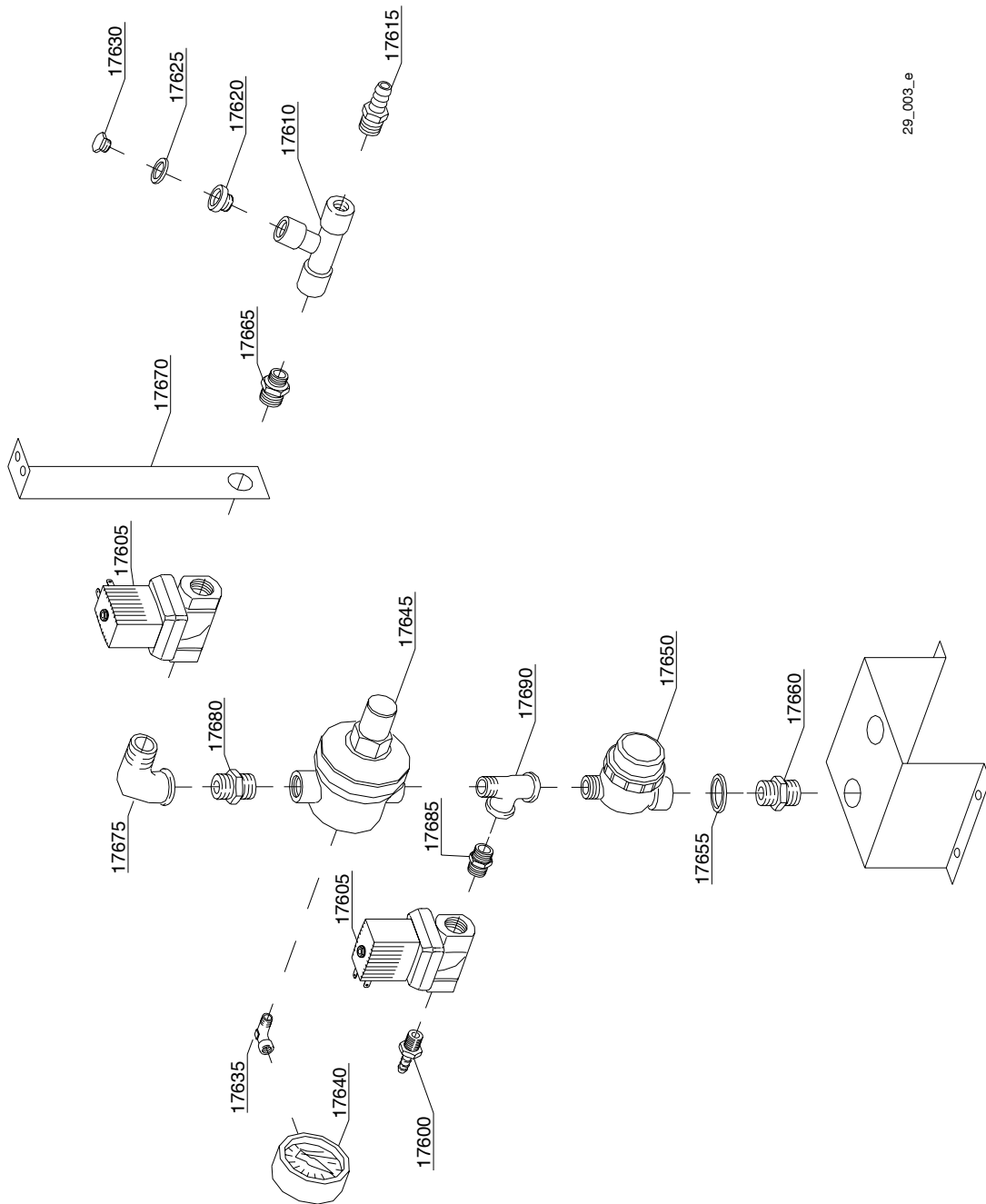
## Spare parts

| ID                        | P-code  | Model | Type | Accessory | Voltage | Description          |
|---------------------------|---------|-------|------|-----------|---------|----------------------|
| MODULE:Rinsing components |         |       |      |           |         |                      |
| 30700                     | 13025   |       | 72   |           |         | O-ring 2081          |
| 30705                     | 3003080 |       | 72   |           |         | Rinsing arm 4n       |
| 30710                     | 2002051 |       | 72   |           |         | Gasket EPDM 17.5x1.5 |
| 30715                     | 2002054 |       | 72   |           |         | Plug for arm         |
| 30720                     | 3003062 |       | 72   |           |         | Rinsing ramp         |
| 30725                     | 13326   |       | 72   |           |         | Gasket 38x27x2       |
| 30730                     | 2200103 |       | 72   |           |         | Nut                  |
| 30735                     | 2200114 |       | 72   |           |         | Nozzle               |
| 30740                     | 2200116 |       | 72   |           |         | Nut                  |
| 30745                     | 2200117 |       | 72   |           |         | Filter               |
|                           |         |       |      |           |         |                      |
|                           |         |       |      |           |         |                      |



## Spare parts

| ID                       | P-code     | Model | Type | Accessory | Voltage | Description                  |
|--------------------------|------------|-------|------|-----------|---------|------------------------------|
| MODULE:Boiler components |            |       |      |           |         |                              |
| 17100                    | 75205      |       | 72   |           |         | Bottom boiler insulating     |
| 17105                    | 30002030   |       | 72   |           |         | Boiler insulating            |
| 17110                    | 3007012    |       | 72   |           |         | Boiler                       |
| 17115                    | 3007013    |       | 72   |           |         | Boiler                       |
| 17120                    | 13015      |       | 72   |           |         | O-ring 160 (6225)            |
| 17125                    | 75311      |       | 72   |           |         | Heating element cover        |
| 17130                    | 16045      |       | 72   |           |         | Heating element support Ø6.3 |
| 17135                    | 30001011   |       | 72   |           | A       | Heating element 9kW          |
| 17135                    | 30001011/A |       | 72   |           | A       | Heating element 12kW         |
| 17135                    | 30001011/B |       | 72   |           | A       | Heating element 14kW         |
|                          |            |       |      |           |         |                              |
|                          |            |       |      |           |         |                              |
|                          |            |       |      |           |         |                              |
|                          |            |       |      |           |         |                              |



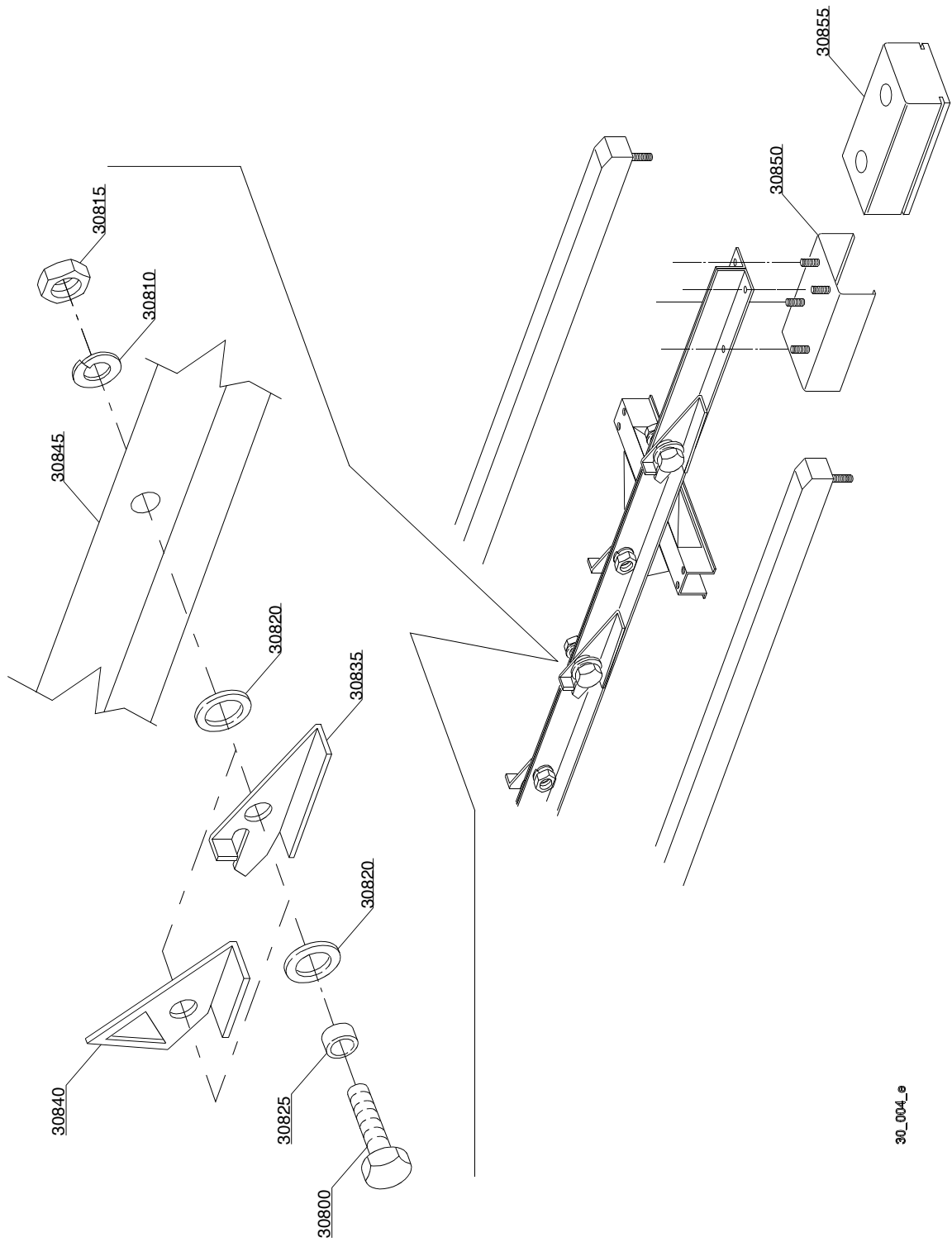
29\_003\_e

## Spare parts

| ID  | P-code   | Model | Type | Accessory | Voltage | Description              |
|---|----------|-------|------|-----------|---------|--------------------------|
| MODULE:Solenoid valves components: tank loading + rinsing |          |       |      |           |         |                          |
| 17600   | 12023    |       | 72   |           |         | Hose holder              |
| 17605   | 3002030  |       | 72   |           |         | Solenoid valve           |
| 17610   | 12008    |       | 72   |           |         | Connection T             |
| 17615   | 12005    |       | 72   |           |         | Hose holder              |
| 17620   | 12032    |       | 72   |           |         | Reduction nipples        |
| 17625   | 13309    |       | 72   |           |         | Gasket 14x10x1.5         |
| 17630   | 12002    |       | 72   |           |         | Plug                     |
| 17635   | 12012    |       | 72   |           |         | Elbow                    |
| 17640   | 2000244  |       | 72   |           |         | Pressure reduction gauge |
| 17645   | 2000364  |       | 72   |           |         | Pressure reduction valve |
| 17650   | 2000121  |       | 72   |           |         | Filter                   |
| 17655   | 13326    |       | 72   |           |         | Gasket 38x27x2           |
| 17660   | 12025    |       | 72   |           |         | Nipples                  |
| 17665   | 12033    |       | 72   |           |         | Nipples                  |
| 17670   | 3009585  |       | 72   |           |         | Solenoid valve support   |
| 17675   | 3002141  |       | 72   |           |         | Elbow                    |
| 17680   | 10200208 |       | 72   |           |         | Nipples                  |
| 17685   | 3002145  |       | 72   |           |         | Reduction nipples        |
| 17690   | 3002144  |       | 72   |           |         | Connection T             |
| MODULE:Solenoid valves components: tank loading + rinsing |          |       |      |           |         |                          |
| 17600   | 12023    |       | 72   | d92       |         | Hose holder              |
| 17605   | 3002030  |       | 72   | d92       |         | Solenoid valve           |
| 17610   | 12008    |       | 72   | d92       |         | Connection T             |
| 17615   | 12005    |       | 72   | d92       |         | Hose holder              |
| 17620   | 12032    |       | 72   | d92       |         | Reduction nipples        |
| 17625   | 13309    |       | 72   | d92       |         | Gasket 14x10x1.5         |
| 17630   | 12002    |       | 72   | d92       |         | Plug                     |
| 17635   | 12012    |       | 72   | d92       |         | Elbow                    |
| 17640   | 2000244  |       | 72   | d92       |         | Pressure reduction gauge |
| 17645   | 2000364  |       | 72   | d92       |         | Pressure reduction valve |
| 17650   | 2000121  |       | 72   | d92       |         | Filter                   |
| 17655   | 13326    |       | 72   | d92       |         | Gasket 38x27x2           |
| 17660   | 12025    |       | 72   | d92       |         | Nipples                  |
| 17665   | 12033    |       | 72   | d92       |         | Nipples                  |
| 17670   | 3009585  |       | 72   | d92       |         | Solenoid valve support   |
| 17675   | 3002141  |       | 72   | d92       |         | Elbow                    |
| 17680   | 10200208 |       | 72   | d92       |         | Nipples                  |
| 17685   | 3002145  |       | 72   | d92       |         | Reduction nipples        |
| 17690   | 3002144  |       | 72   | d92       |         | Connection T             |
|   |          |       | 72   |           |         |                          |



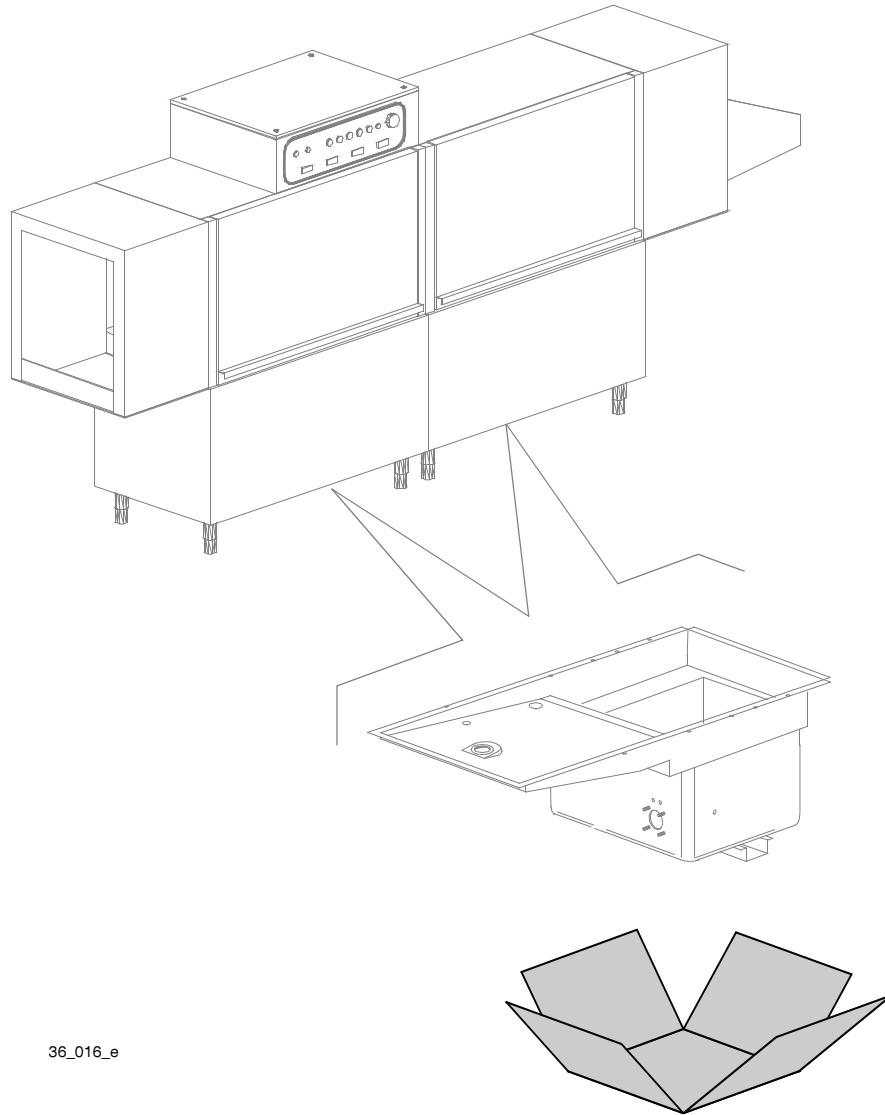
| ID  | P-code   | Model | Type | Accessory | Voltage | Description              |
|---|----------|-------|------|-----------|---------|--------------------------|
| MODULE:Solenoid valves components: tank loading + rinsing + steam condenser |          |       |      |           |         |                          |
| 19000   | 12023    |       | 72   | sc9       |         | Hose holder              |
| 19005   | 3002030  |       | 72   | sc9       |         | Solenoid valve           |
| 19010   | 12008    |       | 72   | sc9       |         | Connection T             |
| 19015   | 12005    |       | 72   | sc9       |         | Hose holder              |
| 19020   | 12032    |       | 72   | sc9       |         | Reduction nipples        |
| 19025   | 13309    |       | 72   | sc9       |         | Gasket 14x10x1.5         |
| 19030   | 12002    |       | 72   | sc9       |         | Plug                     |
| 19035   | 12012    |       | 72   | sc9       |         | Elbow                    |
| 19040   | 2000244  |       | 72   | sc9       |         | Pressure reduction gauge |
| 19045   | 2000364  |       | 72   | sc9       |         | Pressure reduction valve |
| 19050   | 2000121  |       | 72   | sc9       |         | Filter                   |
| 19055   | 13326    |       | 72   | sc9       |         | Gasket 38x27x2           |
| 19060   | 12025    |       | 72   | sc9       |         | Nipples                  |
| 19065   | 12033    |       | 72   | sc9       |         | Nipples                  |
| 19070   | 3009585  |       | 72   | sc9       |         | Solenoid valve support   |
| 19075   | 3002141  |       | 72   | sc9       |         | Elbow                    |
| 19080   | 10200208 |       | 72   | sc9       |         | Nipples                  |
| 19085   | 3002145  |       | 72   | sc9       |         | Reduction nipples        |
| 19090   | 3002144  |       | 72   | sc9       |         | Connection T             |
| 19095   | 3009220  |       | 72   | sc9       |         | Solenoid valve support   |
| 19100   | 12027    |       | 72   | sc9       |         | Nipples                  |
| 19105   | 3002140  |       | 72   | sc9       |         | Tap                      |



30\_004\_e

## Spare parts

| ID                    | P-code  | Model | Type | Accessory | Voltage | Description                |
|-----------------------|---------|-------|------|-----------|---------|----------------------------|
| MODULE:Conveyor parts |         |       |      |           |         |                            |
| 30800                 | 11109   |       | 72   |           |         | Screw                      |
| 30810                 | 11609   |       | 72   |           |         | Split washer               |
| 30815                 | 11719   |       | 72   |           |         | Nut                        |
| 30820                 | 3003024 |       | 72   |           |         | Washer                     |
| 30825                 | 3003025 |       | 72   |           |         | Bush                       |
| 30835                 | 3003100 |       | 72   |           |         | Clip right                 |
| 30835                 | 3003101 |       | 72   |           |         | Clip left                  |
| 30840                 | 3003102 |       | 72   |           |         | Right pawl                 |
| 30840                 | 3003103 |       | 72   |           |         | Left pawl                  |
| 30845                 | 3009132 |       | 72   |           |         | Right mobile frame         |
| 30845                 | 3009133 |       | 72   |           |         | Left mobile frame          |
| 30850                 | 3009358 |       | 72   |           |         | Guide                      |
| 30855                 | 3003068 |       | 72   |           |         | Mobile frame sliding guide |
|                       |         |       |      |           |         |                            |
|                       |         |       |      |           |         |                            |
|                       |         |       |      |           |         |                            |

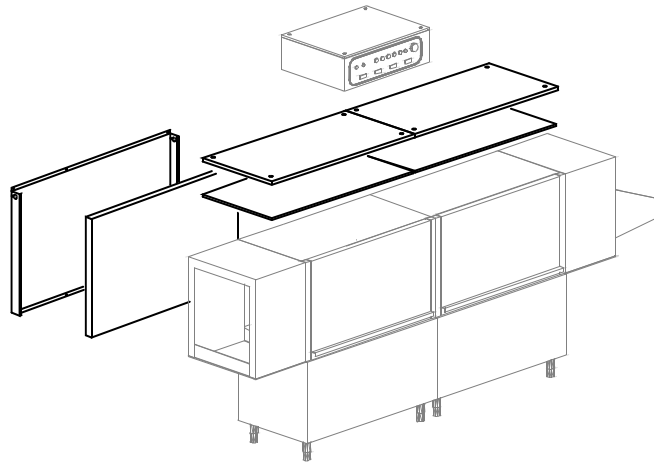


36\_016\_e

## Spare parts

---

| ID   | P-code    | Model | Type | Accessory | Voltage | Description     |
|--|-----------|-------|------|-----------|---------|-----------------|
| MODULE:Tank insulation   |           |       |      |           |         |                 |
|  | 999910207 |       | 72   | ti        |         | Tank insulation |
|  |           |       |      |           |         |                 |
| N.B.: kit suppliable only together with the machine, not after |           |       |      |           |         |                 |
|  |           |       |      |           |         |                 |

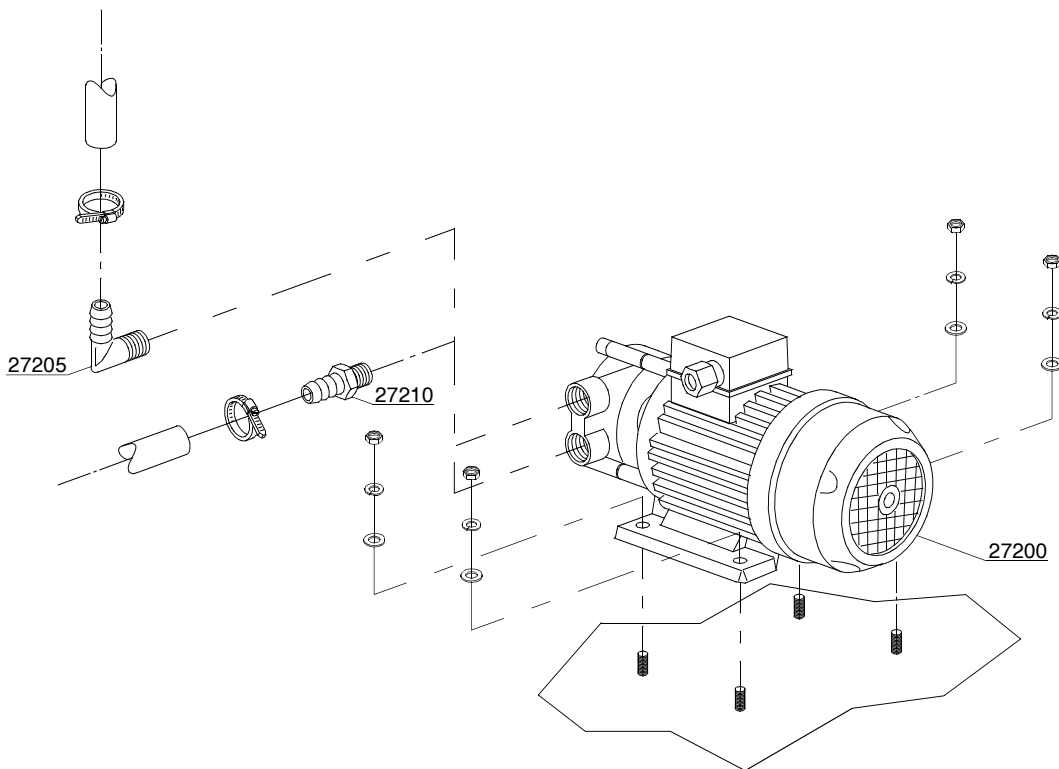
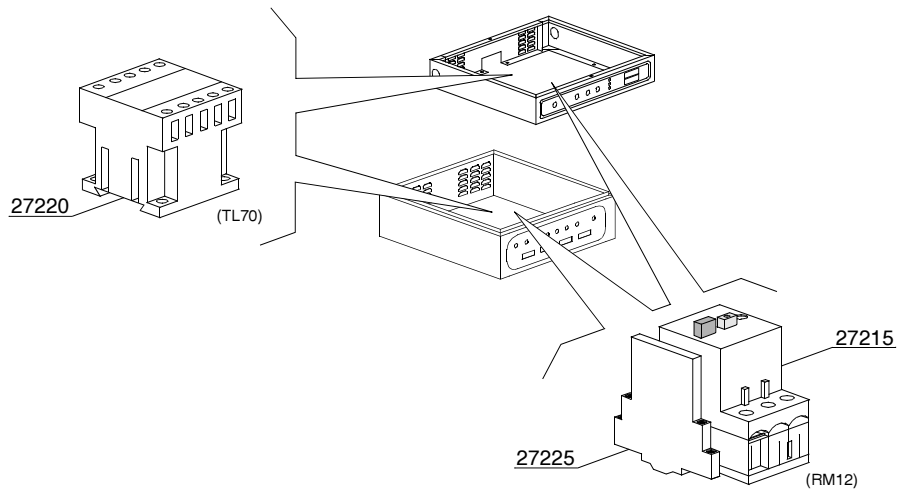


37\_016\_e

## Spare parts

---

| ID  | P-code    | Model | Type | Accessory | Voltage | Description          |
|---|-----------|-------|------|-----------|---------|----------------------|
| MODULE:Double skin  |           |       |      |           |         |                      |
|   | 999910206 |       | 72   | ds        |         | Double skin assembly |
| N.B.: kit suppliable only togeter with the machine, not after |           |       |      |           |         |                      |
|   |           |       |      |           |         |                      |

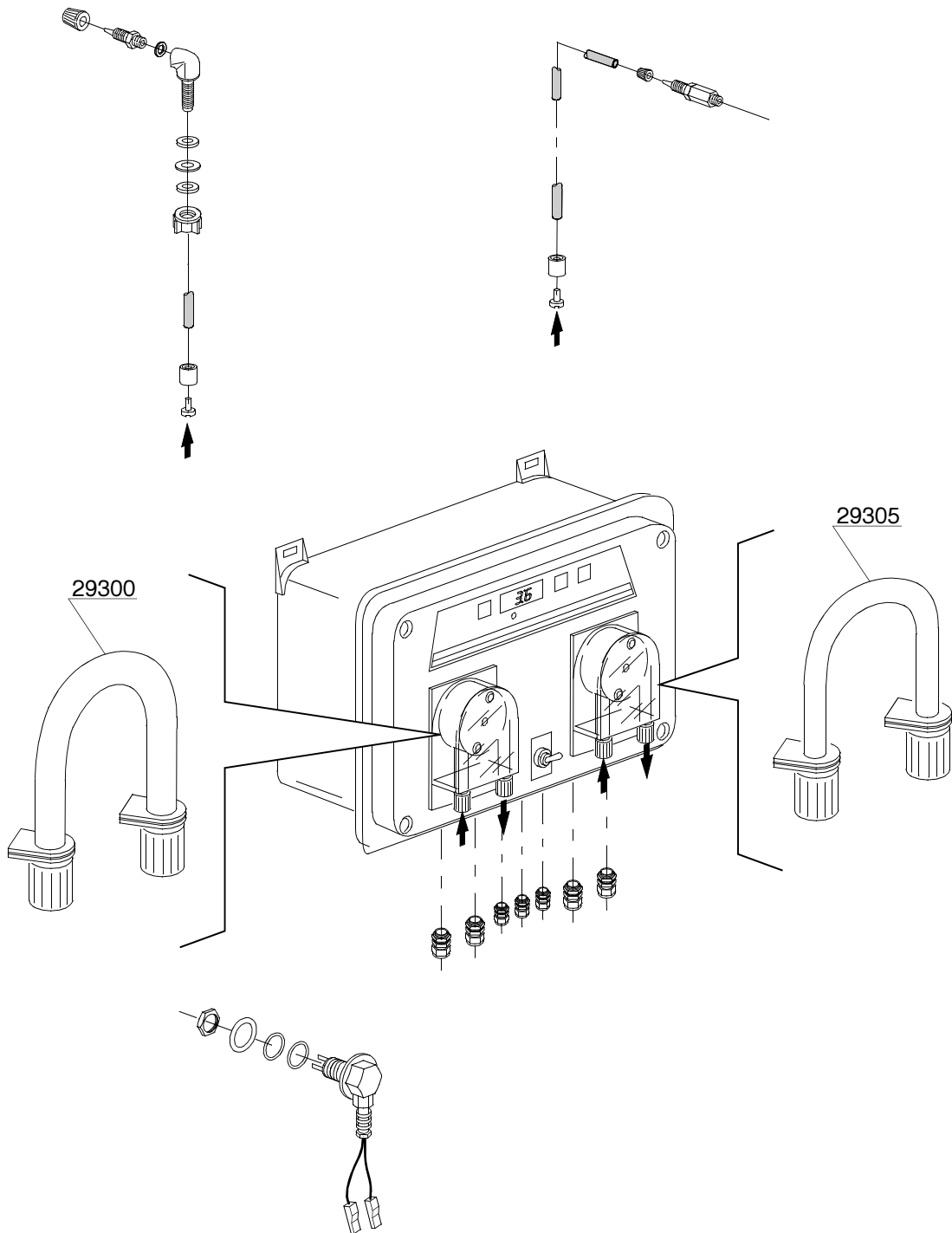


38\_001\_e

## Spare parts

---

| ID                  | P-code   | Model | Type | Accessory | Voltage | Description             |
|---------------------|----------|-------|------|-----------|---------|-------------------------|
| MODULE:Booster pump |          |       |      |           |         |                         |
| 27200               | 15100    |       | 72   | bp        |         | Booster pump            |
| 27205               | 12030    |       | 72   | bp        |         | Elbow pipe fitting      |
| 27210               | 10221311 |       | 72   | bp        |         | Pipe fitting            |
| 27215               | 2000394  |       | 72   | bp        |         | Motorprotector 2,5-4A   |
| 27220               | 2000370  |       | 72   | bp        |         | Contactora MC9          |
| 27225               | 3006080  |       | 72   | bp        |         | Auxiliary contact LMS25 |
|                     |          |       |      |           |         |                         |

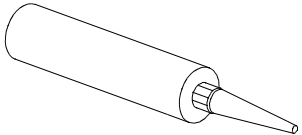
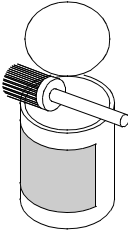
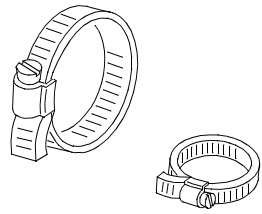
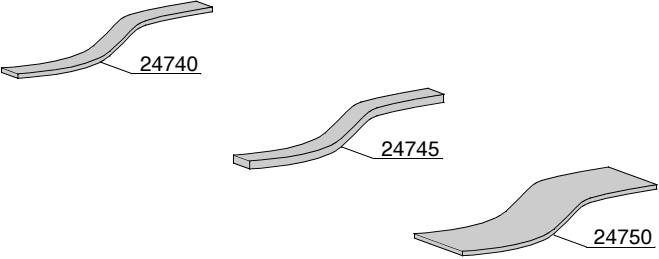
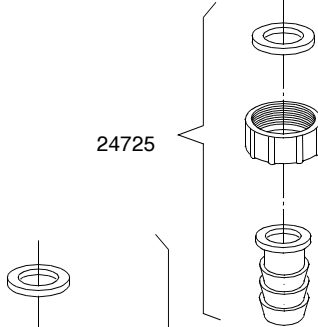
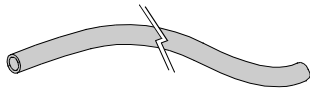
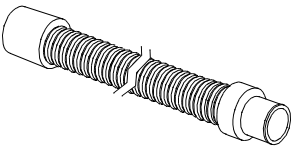
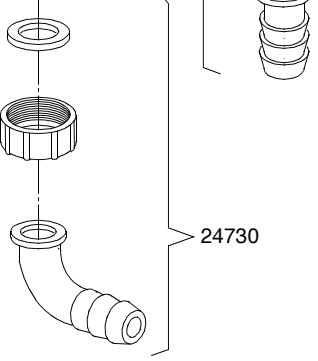
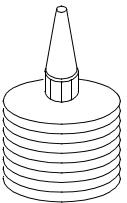
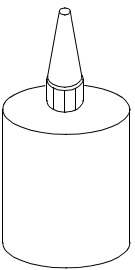
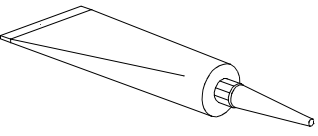


39\_001\_e

## Spare parts

---

| ID                      | P-code | Model | Type | Accessory | Voltage | Description                          |
|-------------------------|--------|-------|------|-----------|---------|--------------------------------------|
| MODULE:Dispensers SDN-3 |        |       |      |           |         |                                      |
|                         | 15181  |       | 72   | sdn3      |         | Dispensers assembly SDN-3            |
| 29300                   | 15185  |       | 72   | sdn3      |         | Pipe fitting for detergent dispenser |
| 29305                   | 15186  |       | 72   | sdn3      |         | Pipe fitting for rinse dispenser     |
|                         |        |       |      |           |         |                                      |
|                         |        |       |      |           |         |                                      |
|                         |        |       |      |           |         |                                      |

|  |  |  |
|--|--|--|
|  <p>24700</p>                           |  <p>24705</p>   |  <p>24760</p>               |
|  <p>24740</p> <p>24745</p> <p>24750</p> |  |  <p>24725</p> <p>24730</p> |
|  <p>24755</p>                         |  <p>24735</p> |  <p>24730</p>              |
|  <p>24765</p>                         |  <p>24770</p> |  <p>24775</p>             |

## Spare parts

| ID               | P-code   | Model | Type | Accessory | Voltage | Description                                     |
|------------------|----------|-------|------|-----------|---------|---|
| MODULE:Accessory |          |       |      |           |         |   |
| 24700            | ---      |       | 72   |           |         | Silicone UNI 9610 - UNI 9611                    |
| 24705            | ---      |       | 72   |           |         | Grease for higt temperatures CCIAA 629224       |
| 24705            | ---      |       | 72   |           |         | Grease for food - Loctite 8104 Cat. N° 26560    |
| 24725            | 15613/A  |       | 72   |           |         | Fitting exauster                                |
| 24730            | 15613    |       | 72   |           |         | "1"" 1/4x30 nylon elbow"                        |
| 24735            | 10727    |       | 72   |           |         | Exauster pipe Ø 24mm                            |
| 24735            | 10200112 |       | 72   |           |         | Exauster pipe Ø 32mm                            |
| 24740            | 15750    |       | 72   |           |         | 20x2 self-stick mousse                          |
| 24745            | 15751    |       | 72   |           |         | 20x4 self-stick mousse                          |
| 24750            | 15752    |       | 72   |           |         | 60x2 self-stick mousse                          |
| 24755            | 2907350  |       | 72   |           |         | Flexible pipe EPDM Ø12                          |
| 24755            | 2907352  |       | 72   |           |         | Flexible pipe EPDM Ø12 - WRAS                   |
| 24755            | 2907353  |       | 72   |           |         | Flexible pipe EPDM Ø12                          |
| 24760            | 2902050  |       | 72   |           |         | Steel hose clamp 15/24                          |
| 24760            | 11806    |       | 72   |           |         | Steel hose clamp 25/40                          |
| 24760            | 11810    |       | 72   |           |         | Steel hose clamp 40/60                          |
| 24760            | 11824    |       | 72   |           |         | Steel hose clamp 50/70                          |
| 24760            | 2902491  |       | 72   |           |         | Steel hose clamp 60/80                          |
| 24765            | ---      |       | 72   |           |         | -50°C +150°C threads dope                       |
| 24770            | ---      |       | 72   |           |         | Loctite 542 Cat.N° 54246 - DIN-DVGW 86.02 e 125 |
| 24770            | ---      |       | 72   |           |         | Loctite 243 Cat.N° 18937 - 19386                |
| 24775            | ---      |       | 72   |           |         | Loctite 511 Cat.N° 24003 - DIN-DVGW 86.01 e 125 |
| 24775            | ---      |       | 72   |           |         | Loctite 577 Cat.N° 25392                        |