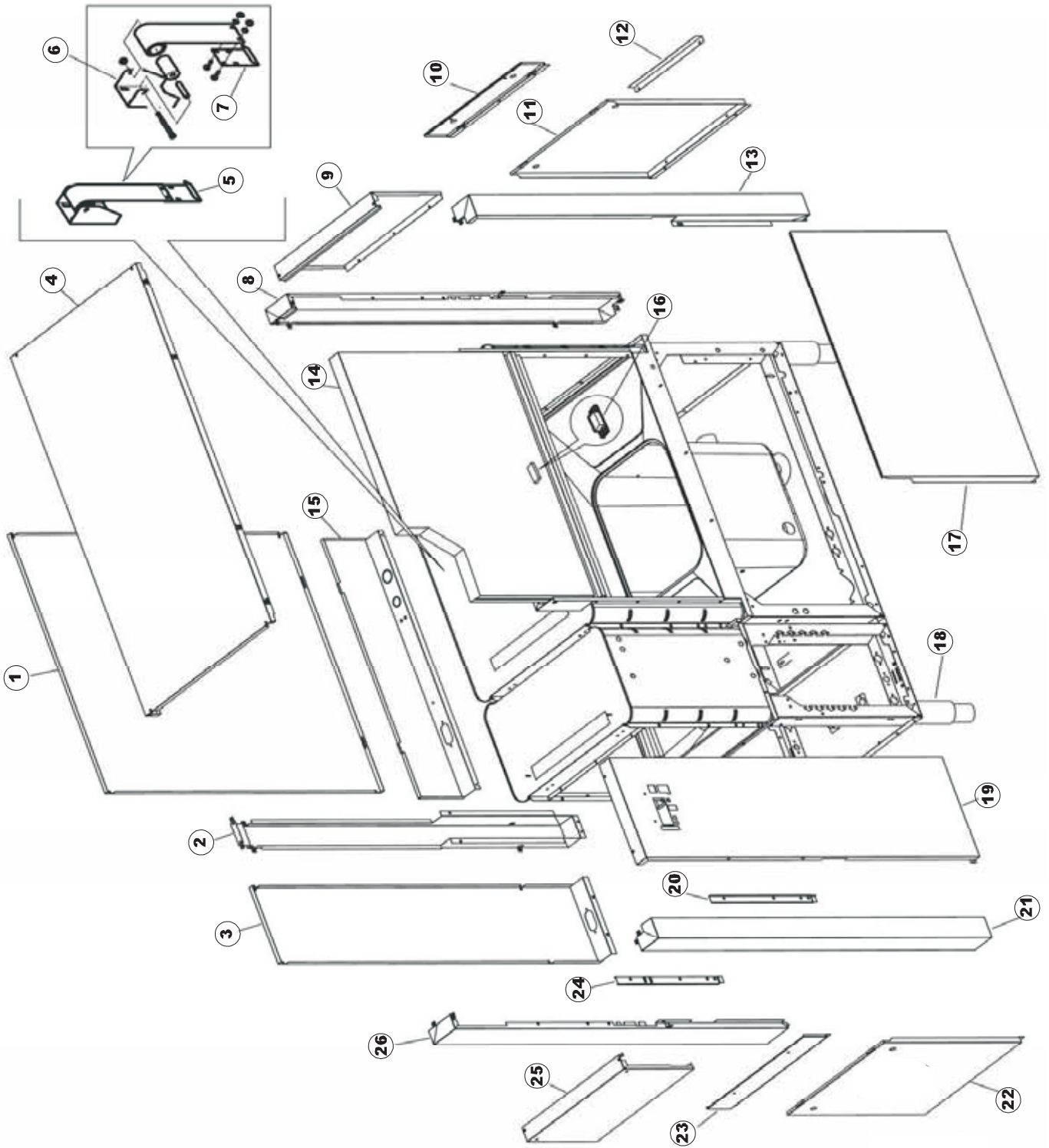


**M B M**

**SPARE PARTS CATALOGUE  
ERSATZTEILKATALOG  
CATALOGUE PIECES DETACHEES  
CATALOGO PARTI RICAMBIO  
CATALOGO DE PIEZAS DE RECAMBIO  
CATALOGO PEÇAŞ DE REPOSIÇÃO**

**DOMINA  
LTD316**

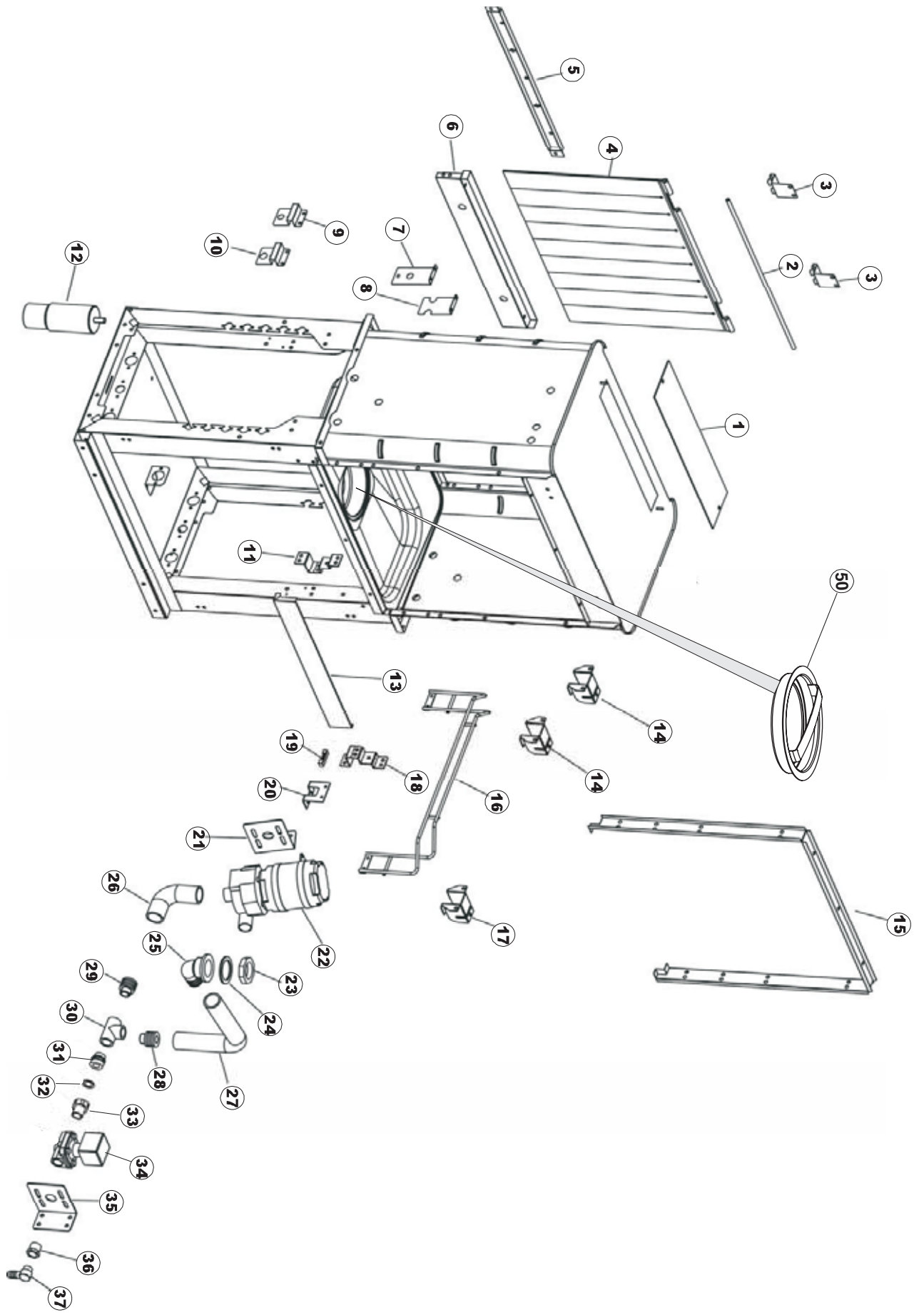
**29-07-2011**



# Pagina 1

1	75244	PANNELLO POSTER.SUP. TRAINO PG FINITO BACK PANEL RUECKWAND PANNEAU POSTERIEUR PANEL TRASERO SUP. ACCION. PG ACABADO	
2	77541	MONTANTE CENTRALE POST. PG.FINITO	
3	77107	PANNELLO POSTERIORE INOX DOPPIO RISCIAQUO REAR PANEL RUECKWANDVERKLEIDUNG PANNEAU ARRIERE PANEL TRASERO INOX DOBLE ENJUAGUE	
4	77081	PANNELLO SUP. ESTERNO PRERISC. PG F	
5	75271	KIT MOLLE SPORTELLO GOLD80/RIVER150 KIT DOOR SPRINGS GOLD80/RIVER150 KIT TÜRFEDER GOLD80/RIVER150 KIT RESSORTS VOLET GOLD80/RIVER150 KIT MUELLES PUERTA GOLD80/RIVER150	
6	75225	SCATOLA SUPPORTO MOLLE SPORT. PG FINITO  CAJA SOPORTE MUELLE PUERTA PG ACAB.	
7	75226	GANCIO MOLLA SPORTELLO TRAINO PG FINITO SPRING HOOK FEDER-HAKEN CROCHAGE RESSORT GANCHO MUELLE PUERTA ACCION. PG ACAB.	
8	75040	PANNELLO ANGOLARE POSTERIORE DESTRO PIEGATO FINITO BACK ANGLE RIGHT PANEL  PANEL ANG TRASERO DCHO. PG ACABADO	
9	75035	FACCIATINA ESTERNA SUP. PIEGATO FINITO  FACHADA ESTERNA SUP PG ACAB.	
10	75307	SPONDA ESTERNA INF PG FINITO	
11	75053	PANNELLO LATERIALE TRAINO PG FINITO SIDE PANEL SEITENPANEEL PANNEAU LATERAL PANEL LAT TRAINO PG ACAB.	
12	75136	STAFFA FISSAGGIO SOTTOPIANI PG FINITO	
13	75039	PANNELLO ANG ANT DX PG FINITO	
14	75082	SPORTELLO TRAINO COMPLETO COMPLETE DOOR KOMPLETTE TUER PORTE COMPLETE PUERTA ACCION. COMPLETA	
15	75080	PANNELLO POST.INF TRAINO PG FINITO	

16	926014	MAGNETE 8x16x40 + CUST.xDEM201 MAGNET 8x16x40 + CUST.xDEM201 MAGNET 8x16x40 + CUST.xDEM201 AIMANT 8x16x40 + CUST.xDEM201 IMAN 8x16x40 + CUST. xDEM201	
17	75287	PANNELLO ANTERIORE TRAINO (NEUTRO) FRONT PANEL FRONTPANEEL PANNEAU AVANT PANEL DELANT. ACCION. (NEUTRO)	
18	926117	PIEDE REGOLABILE X CAPOTT.3LINEA FOOT, ADJUST. X CAPOTT.3LINE VERSTELLFUSS X HAUB.3LEIT. PIED REGLABLE POUR CAPOT.3LIGNE PATA REGULABLE X CAPOTA 3LINEA	
19	77082	PANNELLO ANTERIORE COMANDI AUTOR. COMPLE	
20	75327	CANALE DX TENUTA ANGOLARE ESTERNO PIEGATO FINITO EXTERNAL CORNER SEAL LEFT CONDUCT AUSSENENLINKKANAL MIT ECK-DICHTIGKEIT CANAL EXTERIEUR A GAUCHE AVEC ETANCHE ANGULAIRE	
21	75038	PANNELLO ANGOLARE ANTERIORE SINISTRO PIEGATO FINITO CORNER FRONT PANEL RUECKWAND PANNEAU ANGLE ANTERIEUR PANEL ANG DELANT. IZQDO. PG ACAB.	
22	75053	PANNELLO LATERALE TRAINO PG FINITO SIDE PANEL SEITENPANEEL PANNEAU LATERAL PANEL LAT TRAINO PG ACAB.	
23	75307	SPONDA ESTERNA INF PG FINITO	
24	75328	CANALE SINISTRO TENUTA ANGOLARE ESTERNO PIEGATO FINITO EXTERNAL CORNER SEAL LEFT CONDUCT AUSSENENLINKKANAL MIT ECK-DICHTIGKEIT CANAL EXTERIEUR A GAUCHE AVEC ETANCHE ANGULAIRE CANAL IZQDO. ESTANQ. ANGULAR EXT. PG ACAB	
25	75035	FACCIATINA ESTERNA SUP. PIEGATO FINITO  FACHADA EXTERNA SUP PG ACAB.	
26	75041	PANNELLO ANG POST. SX PG FINITO BACK PANEL RUECKWAND PANNEAU ANGLE POSTERIEUR PANEL ANG TRASERO IZQDO. PG ACAB.	



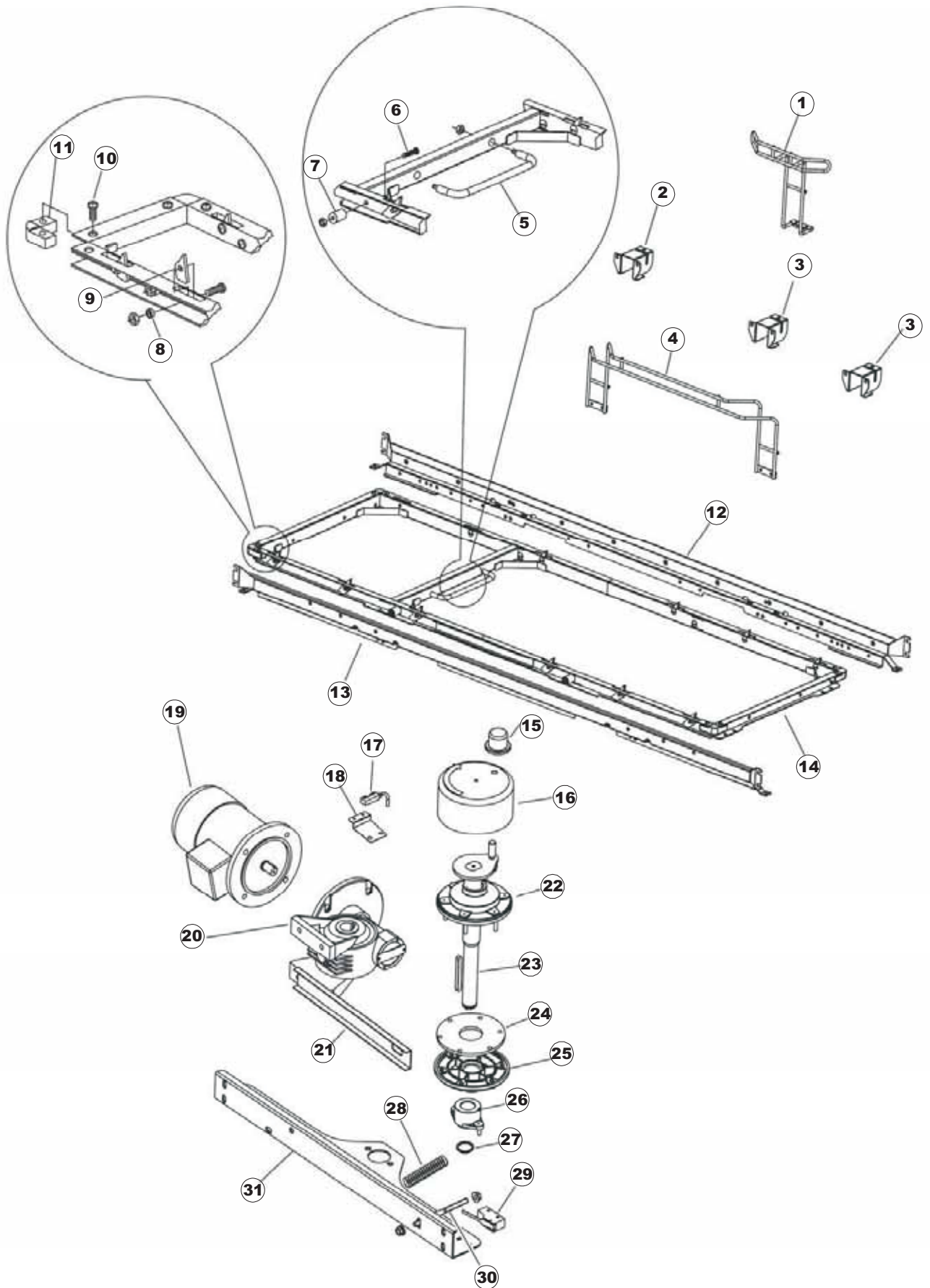
## Pagina 2

1	75112	TAPPO SUPERIORE TELAIO (ELIMINATO 02.08)	
2	75121	ASTA SOSTEGNO TENDINA TRAINO ROD, SSUPPORT FOR CURTAIN STAB, STÜTZE FÜR VORHANG BARRE SUPPORT RIDEAU AVANCEMENT VARA SOSTEN CORTINA ACCION.	
3	75581	SQ. SUPPORTO TENDINA PG FINITA CURTAIN SUPPORTING BRACKET - FINISHED PART BEFESTIGUNGSWINKEL FUER VORHANG - FERTIGTEIL ÉQUERRE SUPPORT RIDEAU PG - ACHEVÉE ESC. SOPORTE CORTINA PG ACABADA	
4	75120	TENDINE ENTRATA/USCITA TRAINO CURTAIN, INPUT/OUTPUT VORHANG, EINTRITT/AUSTRITT RIDEAUX ENTREE/SORTIE AVANCEMENT CORTINAS ENTRADA/SALIDA ACCION.	
5	77025	SOSTEGNO FACCIATINA D.R. PG FINITA	
6	77020	SPONDA INTERNA D.R. PG FINITA	
7	77041	STAFFA SUPER.SUPP.BRACCIO PRERISC	
8	75131	SQUADRA SUPERIORE FISSAGGIO BRACCIO RISCIAQUO PG. BRACKET BEF.WINKEL EQUERRE ESC SUP. FIJACION BRAZO ENJUAGUE PG.ACAB.	
9	77039	STAFFA INFER.FISS.BRACCIO RISC. PG.F	
10	77040	STAFFA INFER.FISS.BRACCIO PRERISC	
11	77021	STAFFA GUIDA PRERISCIAQUO  SOPORTE GUIA PRE-ENJUAGUE PG. ACABADO	
12	926117	PIEDE REGOLABILE X CAPOTT.3LINEA FOOT, ADJUST. X CAPOTT.3LINE VERSTELLFUSS X HAUB.3LEIT. PIED REGLABLE POUR CAPOT.3LIGNE PATA REGULABLE X CAPOTA 3LINEA	
13	77019	SCIVOLO DOPPIO RISCIAQUO PG FINITO	
14	77057	SQUADRA SUPPORTO LEVA ECONOMIZZATORE AUTORACK F BRACKET WINKEL EQUERRE ESC. SOP. PALANCA ECONOM. AUTORACK.PG ACAB.	
15	77008	CORNICE COLLEGAM. PRERISCIAQUO COMPLETA  MARCO CONEX. PRE-ENJUAGUE COMPLETO	

16	77074	ECONOMIZZATORE AUTORACK	
17	75110	STAFFA ECONOMIZZATORE TRAINO PG FINITO	
18	77021	STAFFA GUIDA PRERISCIACQUO  SOPORTE GUIA PRE-ENJUAGUE PG. ACABADO	
19	927088	MAGNETE PER MICROINTERRUPTORE MAGNET FOR MICROSWITCH MAGNET FÜR MIKROSCHALTER AIMANT POUR MINIRUPTEUR IMAN PARA MICROINTERRUPTOR	
20	77079	PIASTRINA MOBILE ECONOMIXX. AUTORACK  PLANCHITA MOVIL ECONOMIZ. AUTORACK	
21	77058	STAFFA POMPA/ELETTROVALVOLA PG FINITA	
22	77047	ELETTROPOMPA 230/400V TRIFASE 50HZ ELECTROPUMP 230/400V-3PH-50HZ MOTORPUMPE 230/400V-3PH-50HZ MOTOPOMPE 230/400V-3PH-50HZ ELECTROBOMBA 230/400V-3PH-50HZ (TRIFASICA)	
23	417081	DADO PLASTICA 1'- 1/4 NUT, PLASTIC 1'- 1/4 SCHRAUBENMUTTER, KUNST. 1'- 1/4 ECROU PLASTIQUE 1'- 1/4 TUERCA PLASTICO 1'- 1/4	
24	437063	GUARNIZIONE PILETTA SCARICO 50 GASKET, DRAIN 50 DICHTUNG, ABFLUSS 50 JOINT TUYAU DE VIDANGE 50 JUNTA PILETA DESCARGA 50	
25	DZP13	PILETTA CURVA PLAST DRAIN, BENT, PLASTIC ABFLUSS, GEBOG. KUNST. TUYAU DE VIDANGE COURB PLAST. PILETA CURVA PLAST	
26	77030	TUBO ASPIRAZIONE POMPA DR AUTORACK 7180 INTAKE COUPLING SAUGMUFFE MANCHON ASPIRATION TUBO ASPIRACION BOMBA DR AUTORACK	
27	77028	TUBO ASPIRAZIONE DR AUTORACK INTAKE COUPLING SAUGMUFFE MANCHON ASP. TUBO ASPIRACION DR AUTORACK	
28	927232	RACC.OT.ELETTROV/FILTRO 1/2M-30 NASTRO UNION, BRASS, SOLEN.VALV./FILTER 1/2M-30 FLIGHT-T. VERBINDUNGSST., MESS., ELEKTROV./FILTER 1/2M-30 BANDTI RACC.LAIT.ELECTROV/FILTRE 1/2M-30 CONVOYEUR EMP. OCT.ELECTROV/FILTRO 1/2M-30 CINTA	
29	927232	RACC.OT.ELETTROV/FILTRO 1/2M-30 NASTRO UNION, BRASS, SOLEN.VALV./FILTER 1/2M-30 FLIGHT-T. VERBINDUNGSST., MESS., ELEKTROV./FILTER 1/2M-30 BANDTI RACC.LAIT.ELECTROV/FILTRE 1/2M-30 CONVOYEUR EMP. OCT.ELECTROV/FILTRO 1/2M-30 CINTA	
30	DZR582I	RACC INOX 1/2" TE FIL.  EMP. INOX 1/2" TE FIL.	

31	927077	RACCORDO OT.1/2-3/4 NIPPLE UNION, BRASS 1/2-3/4 NIPPLE VERBINDUNGSST., MESSING 1/2-3/4 NIPPEL RACCORD LAITON 1/2-3/4 NIPPLE EMPALME LAT. 1/2-3/4 NIPLE	
32	CGF17	GUARNIZ D.24X17 GASKET, D.24X17 DICHTUNG, D.24X17 JOINT D.24X17 JUNTA D. 24X17	
33	927076	RACCORDO DA 1/2X297 COMPL.DI DADO UNION, 1/2X297 COMPL.W/NUT VERBINDUNGSST., 1/2X297 MIT SCHRAUBENMUTTER RACCORD DE 1/2X297 COMPL.D'ECROU EMPALME DE 1/2X297 COMPL. DE TUERCA	
34	77909	ELETTROVALVOLVA SOLENOID MAGNETVENTIL ECTROVANNE ELECTROVALVULA NC (24V 50-60HZ)	
35	77058	STAFFA POMPA/ELETTROVALVOLA PG FINITA	
36	927234	RACCORDO ZINC.1/2-3/8 RID. 49090 FIG241 UNION, GALV.1/2-3/8 RED. 49090 FIG241 VERBINDUNGSST., VERZ.1/2-3/8 REDUZIERST. 49090 FIG241 RACCORD GALV.1/2-3/8 RED. 49090 FIG241 EMPALME GALV. 1/2-3/8 RED. 49090 FIG241	
37	929163	RACCORDO IN OTTONE 3/8M CURVO METANO UNION, BRASS 3/8M BEND METHANE VERBINDUNGSST., MESSING 3/8M GEBOG. ERDGAS RACCORD EN LAITON 3/8M COURB METHANE EMPALME LATON 3/8M CURVO METANO	
50	77066	FILTRO VASCA DR AUTORACK	

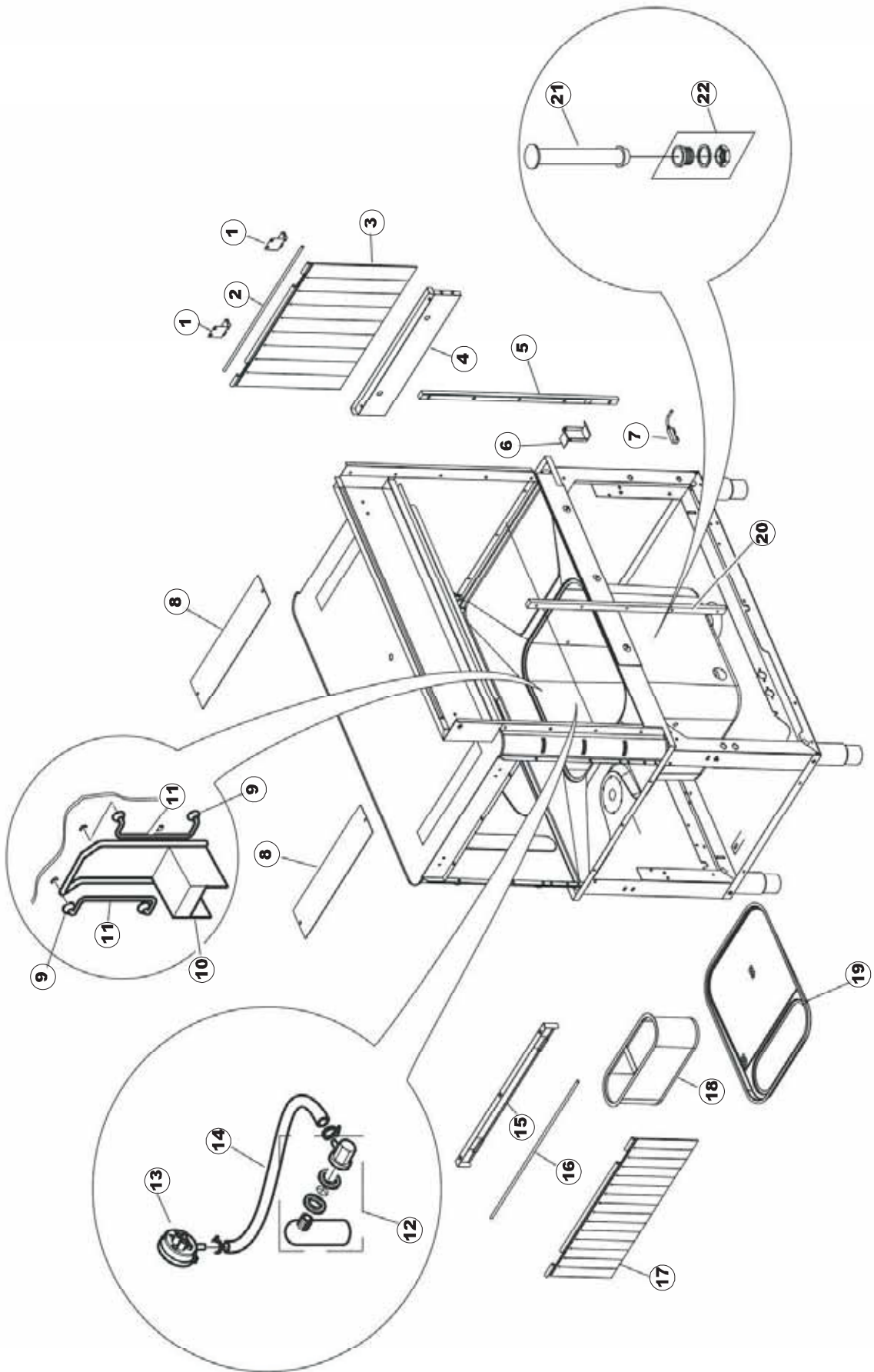




# Pagina 3

1	75095	LEVA ECONOMIZZATORE/AUTOTIMER TRAINO LEVER FOR ECONOMIZER/AUTOTIMER FOR RACK C. HEBEL FÜR SPARREGLER/AUTOTIMER KORBTR. LEVIER ECONOMISATEUR/AUTOTIMER AVANCEMENT PALANCA ECONOMIZADOR/AUTOTIMER ACCION.	
2	75110	STAFFA ECONOMIZZATORE TRAINO PG FINITO	
3	77057	SQUADRA SUPPORTO LEVA ECONOMIZZATORE AUTORACK F BRACKET WINKEL EQUERRE ESC. SOP. PALANCA ECONOM. AUTORACK.PG ACAB.	
4	77074	ECONOMIZZATORE AUTORACK	
5	75073	MANIGLIA COLLEGAMENTO TRAINO HANDLE, RACK CONVEYOR CONNECTION GRIFF, KORBTRANSPORTM.VERBIND. POIGNEE CONNECTION AVANCEMENT MANIJA CONEXION ACCION.	
6	486078	VITE TC-CE M6X40 INOX SCREW TC-CE M6X40 INOX SCHRAUBE TC-CE M6X40 INOX VIS TC-CE M6X40 INOX TORNILLO TC-CE M6X40 INOX	
7	75076	TAMPONE FERMO TRAINO BUFFER FOR DRIVE STOP PUFFER, HALTEVORRICHTUNG FÜR KORBTRANSPORTAUT. TAMPON ARRET AVANC. TAMPON TOPE ACCION.	
8	75077	BOCCOLA SALTARELLO BUSH, PAWL BUCHSE, ABLAUFVERSCHLUSS BAGUE CLIQUET D'ARRET CASQUILLO TRINQUETE	
9	75071	SALTARELLO TRAINO DRIVE CLICK ABLAUFVERSCHLUSS CLIQUET D'ARRET AVANCEMENT TRINQUETE ACCION.	
10	486169	VITE NOX 4MAX10/4 TBCR-SP SCREW, INOX 4MAX10/4 TBCR-SP SCHRAUBE, INOX 4MAX10/4 TBCR-SP VIS NOX 4MAX10/4 TBCR-SP TORNILLO NOX 4MAX10/4 TBCR-SP	
11	75075	PATTINO CARRELLO TRAINO SLIDING BLOCK FOR RACK-CONVEYOR KUFEN FÜR KORBTR. PATINS PANIER AVANC. PATIN CARRITO ACCION.	
12	77024	GUIDA CESTELLI COMPLETA AUTORACK  GUIA CESTAS COMPLETA AUTORACK	
13	77024	GUIDA CESTELLI COMPLETA AUTORACK  GUIA CESTAS COMPLETA AUTORACK	
15	75058	ROTELLA TRAINO ROLLER FOR RACK CONVEYOR ROLLE FÜR KORBTR. ROULEAUX D'AVANC. RUEDECILLA ACCION.	
16	75231	PARASPRUZZI TRAINO SPLASHGUARD FOR RACK-CONVEYOR SPRITZBLECH FÜR KORBTR. ANTIECLABOUSS. AVANCEM. ANTI-SALPICADURAS ACCION.	

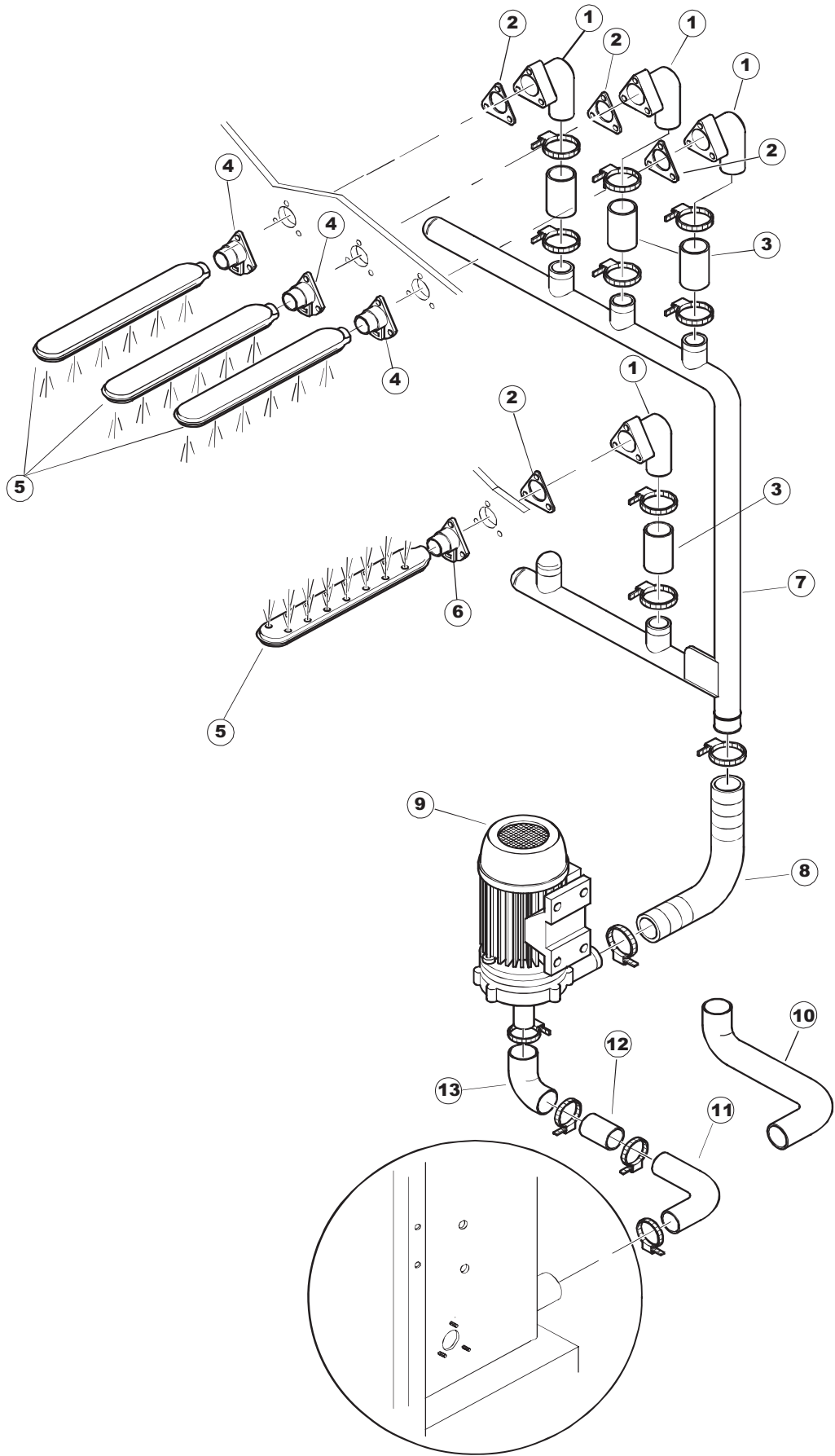
17	80871	MICRO MAGNETICO MAGNETIC DOOR SWITCH TUERKONTAKTSCHALTER CONTACTE MAGNETIQUE CONTACTO MAGNETICO	
18	75240	STAFFA SUPPORTO MICRO ECONOMIZZATORE	
19	927105	MOTORE 180W MEC71 B5 6-8POLI 400 220/270 MOTOR 180W MEC71 B5 6-8POLES 400 220/270 MOTOR 180W MEC71 B5 6-8POL. 400 220/270 MOTEUR 180W MEC71 B5 6-8POLES 400 220/270 MOTOR 180W MEC71 B5 6-8 POLOS 400V 270	
20	927103	RIDUTTORE MVF-49A 1/45 270 RED.GEAR MVF-49A 1/45 270 REDUZIERST. MVF-49A 1/45 270 REDUCTEUR MVF-49A 1/45 270 REDUCTOR MVF-49A 1/45 270	
21	75128	TRONCH INOX D60 MM.120	
22	75141	BOCCOLA TRAINO SUPERIORE BUSH, UPPER DRIVE BUCHSE, OB. KORBTRANSPORTMASCHINE BAGUE AVANCEMENT SUP. CASQUILLO ACCION. SUPERIOR	
23	75235	ALBERO MOTORE TRAINO COMPLETO DRIVING SHAFT, COMPLETE ANTRIEBSWELLE KOMPL. ARBRE MOTEUR AVANCEMENT COMPLET EJE MOTOR ACCION. COMPLETO	
24	75168	GUARNIZIONE FLANGIA ALBERO TRAINO GASKET, FLANGE, DRIVE SHAFT DICHTUNG, FLANSCH, ANTRIEBSWELLE JOINT BRIDE ARBRE AVANCEMENT JUNTA BRIDA EJE ACCION.	
25	75057	BOCCOLA TRAINO INFERIORE BUSH, LOWER DRIVE BUCHSE, UNT. KORBTRANSPORTMASCHINE BAGUE AVANCEMENT INF. CASQUILLO ACCION. INFERIOR	
26	75142	BOCCOLA INFERIORE TRAINO BUSH, LOWER RACK-CONVEYOR BUCHSE, UNTEN KORBTR. BAGUE INF. AVANCEMENT CASQUILLO INFERIOR ACCION.	
27	75322	ANELLO ELASTICO DI SICUREZZA(D=25UNI7435 D.P. FINNED RING NUT INT. REINF. RING VERST.RING INNEN NUTMUTTER PS ANNEAU RENF.INT.BAGUE AILET.PS ANILLO ELASTICO DE SEGURIDAD (D=25UNI7435	
28	CMT13	MOLLA A COMPRESS D 20 L 100 FILO 2 SPRING, COMPRESSION D 20 L 100 WIRE 2 DRUCKFEDER D 20 L 100 DRAHT 2 RESSORT A COMPRESS D 20 L 100 FIL 2 MUELLE DE COMPRESION D 20 L 100 HILO 2	
29	927246	MICROINTERRUTTORE MS30+CALOTTA VFC03 MICROSWITCH, MS30+NUT VFC03 MIKROSCHALTER, MS30+MUTTER VFC03 MINIRUPTEUR MS30+ECROU VFC03 MICROINTERRUPTOR MS30+CAPERUZA VFC03	
30	60354	VITE REGISTRO FRIZIONE ALFA SCREW, ADJUSTING SCREW FOR FRICTION ALFA JUSTIERSCHRAUBE FÜR KOPPLUNG ALFA VIS REGISTRE FRICTION ALFA TORNILLO REGISTRO FRICCION ALFA	
31	75217	STAFFA MOTORE TRAINO PG FINITO	



# Pagina 4

1	75581	SQ. SUPPORTO TENDINA PG FINITA CURTAIN SUPPORTING BRACKET - FINISHED PART BEFESTIGUNGSWINKEL FUER VORHANG - FERTIGTEIL ÉQUERRE SUPPORT RIDEAU PG - ACHEVÉE ESC. SOPORTE CORTINA PG ACABADA	
2	75121	ASTA SOSTEGNO TENDINA TRAINO ROD, SSUPPORT FOR CURTAIN STAB, STÜTZE FÜR VORHANG BARRE SUPPORT RIDEAU AVANCEMENT VARA SOSTEN CORTINA ACCION.	
3	75120	TENDINE ENTRATA/USCITA TRAINO CURTAIN, INPUT/OUTPUT VORHANG, EINTRITT/AUSTRITT RIDEAUX ÉNTREE/SORTIE AVANCEMENT CORTINAS ENTRADA/SALIDA ACCION.	
4	75308	SPONDA INTERNA INNER LOWER FRONT PANEL - FINISHED PART INNEREUNTERE VORDERPLATTE PG-FERTIGTEIL FAÇADE INTERNE INFÉRIURE PG -PIÈCE ACHEVÉE SPONDA INTERNA INF PG FINITO	
5	75047	GUIDA SCORRIMENTO SPORTELLO	
6	75064	GANCIO SPORTELLO TRAINO PG FINITA HOOK SICHEREHEITSHAKEN CROCHET GANCHO PUERTA ACCION. PG ACAB.	
7	80871	MICRO MAGNETICO MAGNETIC DOOR SWITCH TUERKONTAKTSCHALTER CONTACTE MAGNETIQUE CONTACTO MAGNETICO	
8	75112	TAPPO SUPERIORE TELAIO (ELIMINATO 02.08)	
9	REF472061	RONDELLA DI APPOGGIO DIS. 11/FG (15X3,5) WASHER, DWG. 11/FG (15X3,5) UNTERLEGSSCHEIBE, ZEICHN. 11/FG (15X3,5) RONDELLE DESS. 11/FG (15X3,5) ARANDELA DE APOYO DIB. 11/FG (15X3,5)	
10	42089	FILTRO ASPIRAZIONE POMPA U70 FILTER, SUCTION FOR PUMP U70 FILTER, ABSAUG. FÜR PUMPE U70 FILTRE ASPIRATION POMPE U70 FILTRO ASPIRACION BOMBA U70	
11	42092	GUIDA FILTRO ASPIRAZIONE U70 GUIDE, EXHAUST. FILTER U70 FÜHRUNG, ABSAUG.FILTER U70 GUIDE FILTRE ASPIRATION U70 GUIA FILTRO ASPIRACION U70	
12	984005	GRUPPO CAMPANA PRESSOST.35/40 PRESSURE SWITCH BELL 35/40 GLOCKE, DRUCKSCHALTER 35/40 ENS.BOITE PRESSOSTAT 35/40 GRUPO CAMPANA PRESOSTATO 35/40	
13	926049	PRESSOSTATO 761999 180-70 PRESSURE SWITCH 761999 180-70 DRUCKSCHALTER 761999 180-70 PRESSOSTAT 761999 180-70 PRESOSTATO 761999 180-70	
14	143005	TUBO PRESS.TP 5x11 (CASER/15/NL C4N) PIPE, PRESSURE SWITCH TP 5x11 (CASER/15/NL C4N) SCHLAUCH TP 5X11 (CASER/15/NL C4N) TUYAU PRESS.TP 5x11 (CASER/15/NL C4N) TUBO PRES. TP 5x11 (CASER/15/NL C4N)	
15	75111	SUPPORTO TENDINA INTERMADIA COMPLETO SUPPORT, INTERM.CURTAIN HALTER, ZWISCHENVORHANG SUPPORT RIDEAU INTERM. COMPLET SOPORTE CORTINA INTERMADIA COMPLETO	

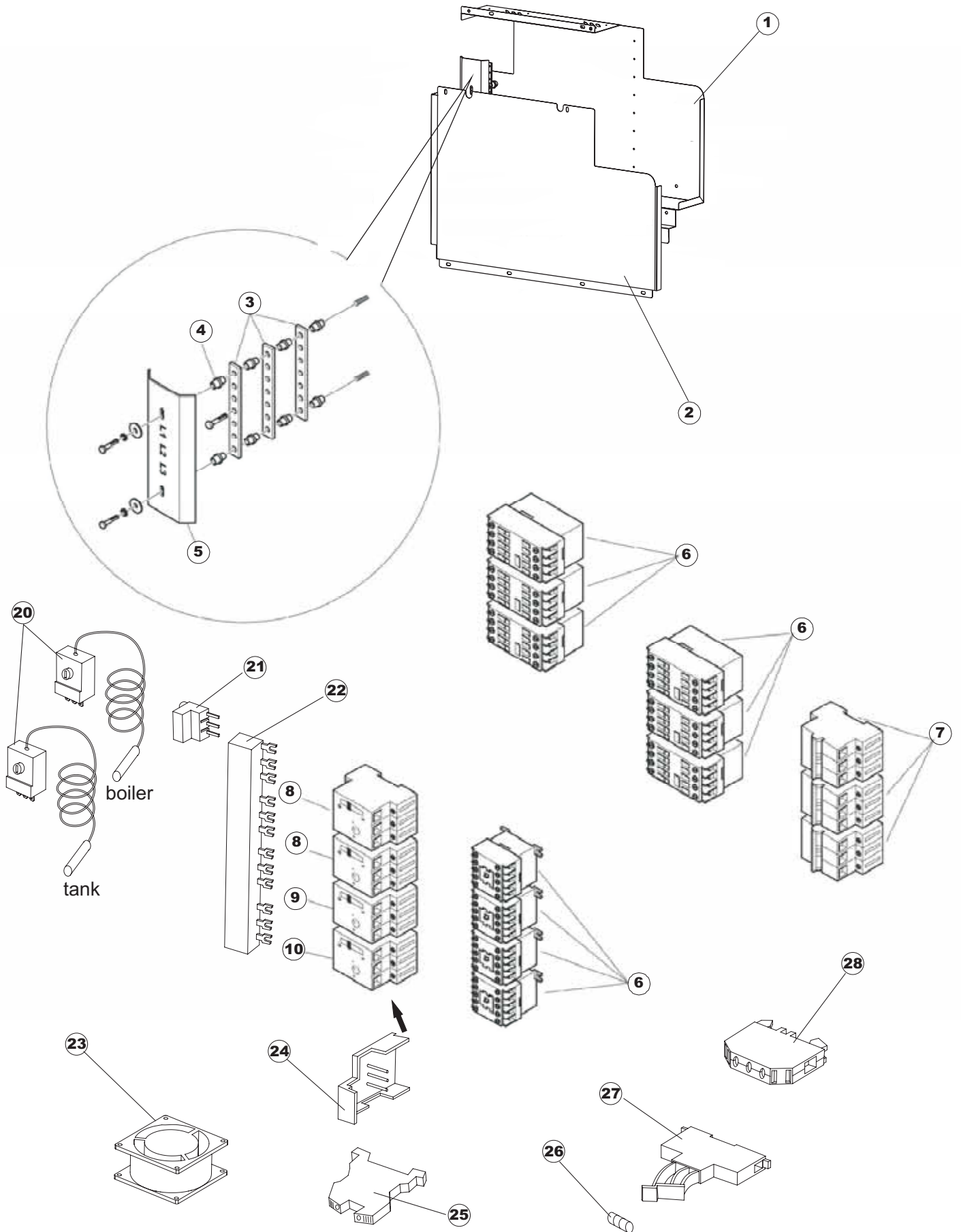
16	75124	ASTA SOSTEGNO TENDINA INERMED. TRAINO ROD, SUPPORT FOR INTERM. CURTAIN STAB, STÜTZE FÜR MITTL.VORHANG BARRE SUPPORT RIDEAU INTERMED. AVANCEMENT VARA SOSTEN CORTINA INERMED. ACCION.	
17	75123	TENDINA INTERMEDIA TRAINO CURTAIN, INTERMEDIATE ZWISCHENVORHANG RIDEAU INTERM. AVANCEMENT CORTINA INTERMEDIA ACCION.	
18	75146	FILTRO RACCOLTA CON MANIGLIA TRAINO FILTER, COLL. WITH RACK CONVEYOR HANDLE FILTER, SAMML. MIT KORBTR.GRIFF FILTRE RECOLTE AVEC POIGNEE AVANCEMENT FILTRO RECOGIDA CON MANIJA ACCION.	
19	75200	FILTRO PIANO TRAINO FILTER, FOR RACK CONVEYOR TABLE FILTER, FÜR KORBTR.TISCH FILTRE PLAQUE AVANCEMENT FILTRO SUPERF. ACCION.	
20	75047	GUIDA SCORRIMENTO SPORTELLO	
21	75262	TROPPOP INOX COMPL TRAINO OVERFLOW, INOX COMPL.FOR HOOD-TYPE ÜBERLAUF, INOX KOMPL.FÜR KORBTRANSP. TROP-PLEIN INOX COMPL AVANCEMENT REBOSE INOX COMPL ACCION.	
22	42185	PILETTA COMPL.INOX 1"1/2 (01713007) DRAIN, COMPL., INOX 1"1/2 (01713007) ABFLUSS, KOMPL., INOX 1"1/2 (01713007) TUYAU DE VIDANGE COMPL.INOX 1"1/2 (01713007) PILETA COMPL. INOX 1"1/2 (01713007)	



# Pagina 5

1	437050	GUARN.GOMITO PORTAGOMMA MOD 22 GASKET, ELBOW RUBBER-HOLDER MOD 22 DICHTUNG, KNIESTÜCK SCHLAUCHTÜLLE MOD 22 JOINT COUDE PORTE-CAOUTCHOUC MOD 22 JUNTA CODO EMPALME MOD 22	
2	75155	RACCORDO LAVAGGIO ESTERNO TRAINO UNION, WASH.OUTS. RACK CONVEYOR VERBINDUNGSST., AUSS. SPÜL. KORBTR. RACCORD LAVAGE EXTERIEUR AVANCEMENT EMPALME LAVADO EXTERNO ACCION.	
3	75154	MANICOTTO MANDTA LAVAGGIO TRAINO SLEEVE, WASH. DELIVERY FOR RACK CONVEYOR MUFFE, SPÜL.VERSORGUNG FÜR KORBTRANSPORTM. MANCHON REFOUL. LAVAGE AVANCEMENT MANGUITO IMPULSION LAVADO ACCION.	
4	75169	ATTACCO LANCIA SUPERIORE COMPLETO UNION, UPPER WASH-ARM ASSB. VERBIND., OB. LANZE KOMPL. FIXATION RAMPE SUP. COMPLETE CONEXION LANZA SUPERIOR COMPLETA	
5	75616	BRACCIO LAVAGGIO WASH ARM SPUELARM  BRAZO LAVADO (TUERCA 10,5X4MM)	
6	75171	ATTACCO LANCIA INFERIORE COMPLETO UNION, LOWER WASH-ARM ASSB. VERBIND., UNT. LANZE KOMPL. FIXATION RAMPE INF. COMPLETE CONEXION LANZA INFERIOR COMPLETA	
7	75145	MANICOTTO MOBILE INFERIORE SLEEVE, MOBILE LOWER MUFFE, BEW. UNTEN MANCHON MOBILE INF. MANGUITO MOVIL INFERIOR	
8	80188	MANICOTTO MANDATA POMPA RIVER 80/81 SLEEVE, PUMP DELIVERY RIVER 80/81 MUFFE, ZUFUHR PUMPE RIVER 80/81 MANCHON REFOUL. POMPE RIVER 80/81 MANGUITO IMPULSION BOMBA RIVER 80/81	
9	DPE2640HZ	ELETTROPOMPA 1.4KW 230-400/240-415 60HZ ELECTR.PUMP 1.4KW 230-400/240-415 60HZ ELEKTROPUMPE 1.4KW 230-400/240-415 60HZ ELECTROPOMPE 1.4KW 230-400/240-415 60HZ ELECTROBOMBA 1. 4KW 230-400/240-415 60HZ	
10	75189	MANICOTTO MANDATA RUBBER SLEEVE - SUPPLY SIDE ZUFHURUNGSMUFFE MANCHON DE DEBIT MANGUITO ASPIRACION BOMBA (ART.6796)	
11	929164	GOMITO IN GOMMA P2703 SAIAG ELBOW, RUBBER P2703 SAIAG KNIESTÜCK, GUMMI P2703 SAIAG COUDE EN CAOUTCHOUC P2703 SAIAG CODO DE GOMA P2703 SAIAG	
12	42028	TRONCHETTO ASPIRAZIONE  TRONCO ASPIRACION (EMBUTIDO)	
13	926056	GOMITO GOMMA ASPIRAZIONE POMPA 120/140 ELBOW, RUBBER, EXHAUST. PUMP 120/140 KNIESTÜCK, GUMMI, ABSAUG.PUMPE 120/140 COUDE CAOUTCHOUC ASPIRATION POMPE 120/140 CODO GOMA ASPIRACION BOMBA 120/140	

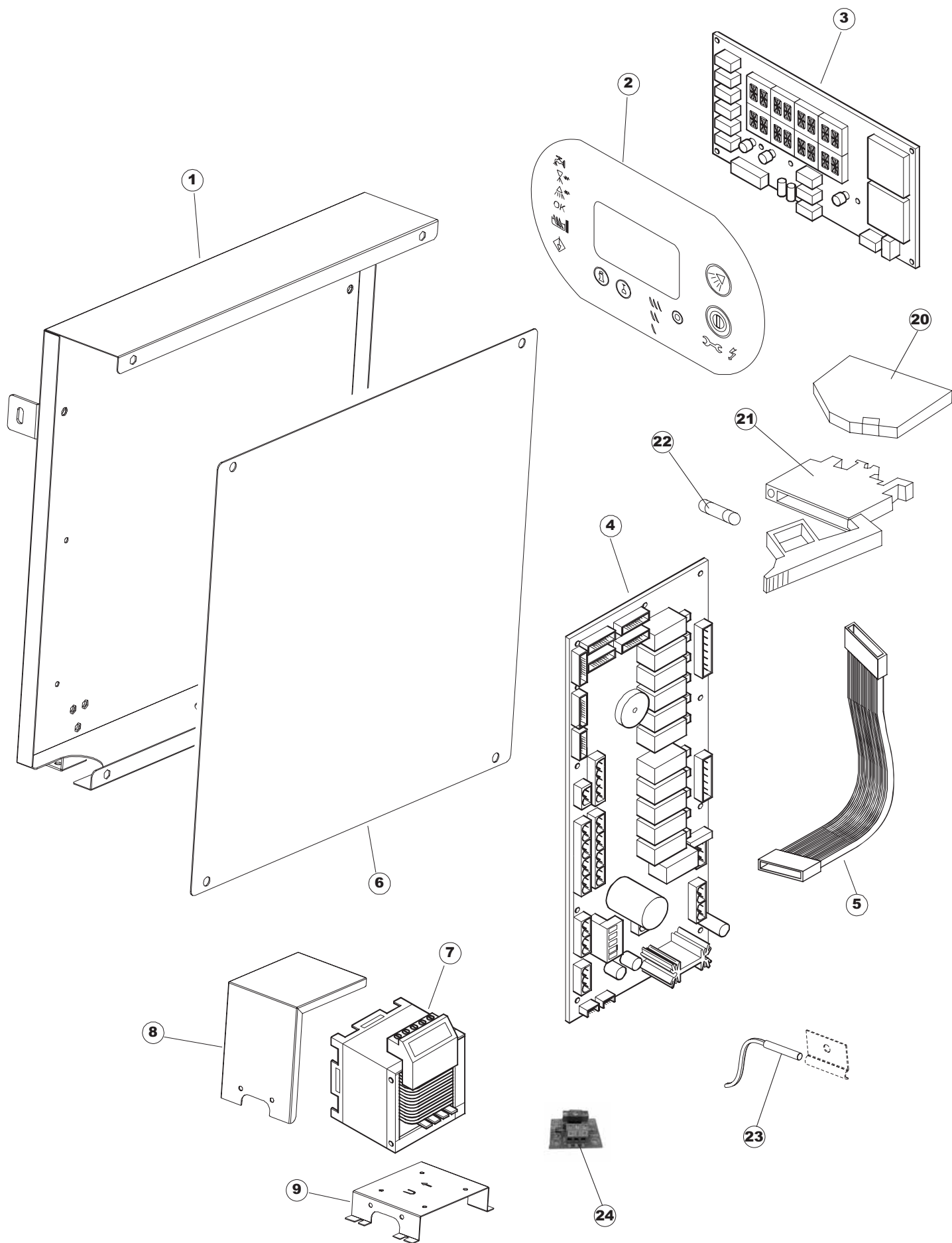




# Pagina 6

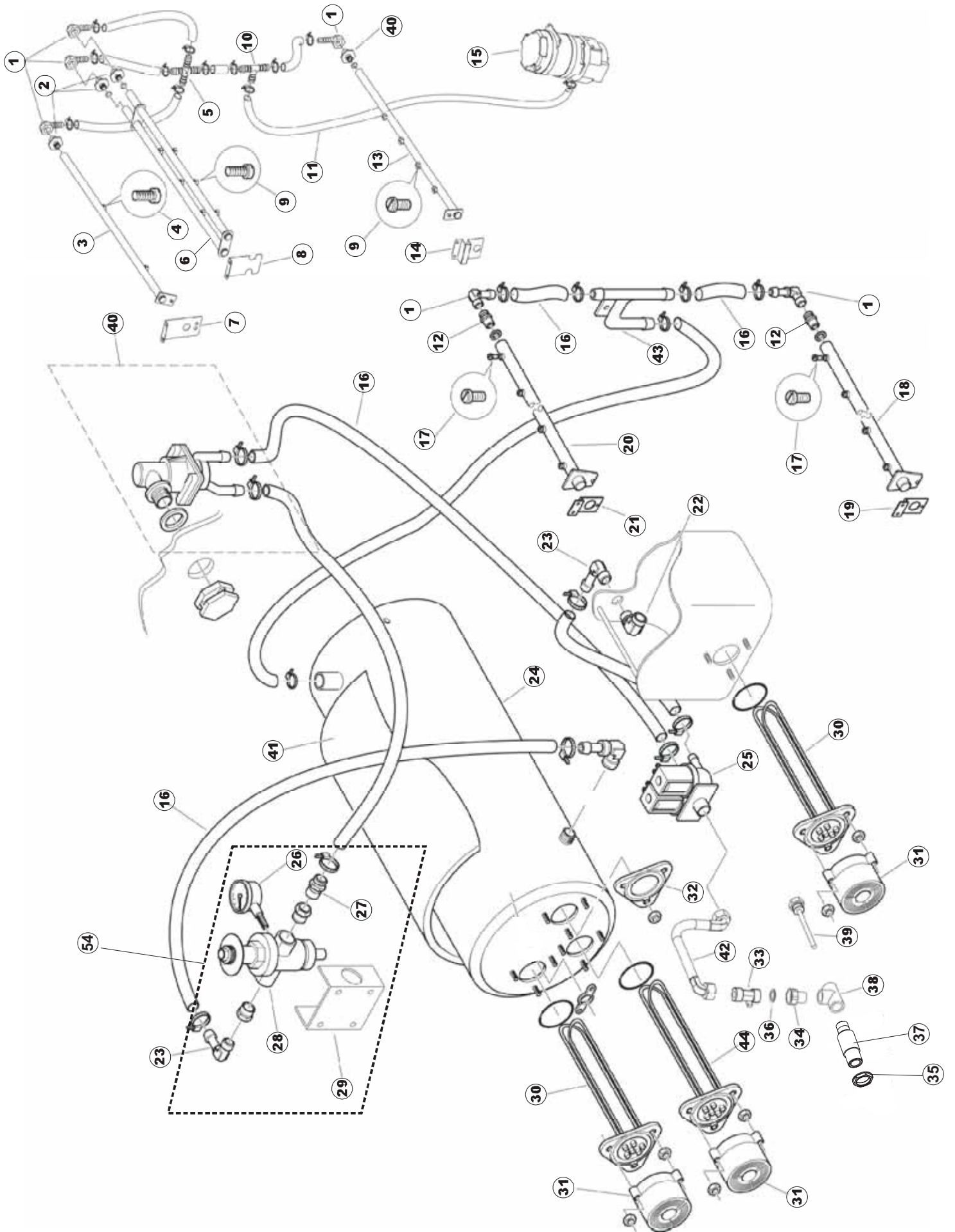
1	77061	PANN.QUADRO ELETTRICO AUTORACK COMPLETO	
2	77064	TAPPO QUADRO ELETTRICO	
3	60852	BARRA DI ALIMENTAZIONE X TRAINO FEEDING BAR FOR RACK-CONVEYOR ZUFÜHRUNGSSCHIENE, KORBTRANSPORTM. BARRE D'ALIMENTATION POUR AVANCEMENT BARRA DE ALIMENTACION X ACCION.	
4	927047	ISOLATORE RESIST.POL.H=25MM 5MA SCH71030 INSULATOR RESIST.POL.H=25MM 5MA SCH71030 WIDERS.ISOL. POL.H=25MM 5MA SCH71030 ISOLATEUR RESIST.POL.H=25MM 5MA SCH71030 AISLADOR RESIST. POL. H=25MM 5MA	
5	927048	PROTEZIONE BARRE ALIMENTAZIONE X TRAINO FEEDING SYSTEM PROTECTION BARS SCHUTZ, ZUFÜHRUNGSSCHIENEN FÜR KORBTR. PROTECTION BARRES ALIMENTATION POUR AVANC. PROTECCION BARRAS ALIMENTACION X ACCION.	
6	927160	CONTATTORE 3TF4010 OAC2 24V 50/60HZ CONTACTOR 3TF4010 OAC2 24V 50/60HZ SCHALTSCHÜTZ 3TF4010 OAC2 24V 50/60HZ CONTACTEUR 3TF4010 OAC2 24V 50/60HZ CONTACTOR 3TF4010 OAC2 24V 50/60HZ	
7	DEI416	INTERRUTTORE AUTOMATICO 3X16A (TIPO 5SY6316-7)  INT AUT 3X16A (ART.5SY6316-7)	
8	DEI35	INT AUT 3X25A 07/1A 3RV1011-0JA10 AUTOM.SWITCH 3X25A 07/1A 3RV1011-0JA10 AUTOMATIKSCHALTER 3X25A 07/1A 3RV1011-0JA10 INTERRUPT. AUT 3X25A 07/1A 3RV1011-0JA10 INT AUT 3X25A 07/1A 3RV1011-0JA10	
9	DEI37	INT AUT 3X25A 1,8/2,5A 3RV1011-1CA10 AUTOM.SWITCH 3X25A 1,8/2,5A 3RV1011-1CA10 AUTOMATIKSCHALTER 3X25A 1,8/2,5A 3RV1011-1CA10 INTERRUPT. AUT 3X25A 1,8/2,5A 3RV1011-1CA10 INT AUT 3X25A 1,8/2,5A 3RV1011-1CA10	
10	DEI340	INT AUT3X25A 0,4/0,6A 3RV1011-0GA10 SWITCH SCHALTER INTERRUPTEUR INT AUT3X25A 0,4/0,6A 3RV1011-0GA10	
20	927057	TERMOSTATO 3 CONTATTI 90/110°C TYPE LS1 THERMOSTAT, 3-CONTACT 90/110°C TYPE LS1 THERMOSTAT, 3-KONTAKTE 90/110°C TYP LS1 THERMOSTAT 3 CONTACTS 90/110°C TYPE LS1 TERMOSTATO 3 CONTACTOS 90/110°C TIPO LS1	
21	80826	MORSETTO BARRA ALIMENTA.(ART.3RV1915-5A)	
22	80827	BARRA 3FASE 4 INTER.(ART.3RV1915-1CB)	
23	77045	VENTILATORE QUADRO COMANDI AUTORACK 24V	
24	80830	COLLEGAMENTO INT-CONT(ART.3RA1911-1A)	

25	927115	MORSETTIERA DOPPIO COLLEGAMENTO 4MMQ TERRA CONNECTION BOARD ANSCHLUSSKLEMME CONNEXTION BORNERO CONEX. 4MMQ TIERRA (LEG39371)	
26	DEF13006	FUSIBILE 6A 10X38 AM (VERDE) WEBER FUSE, 6A 10X38 AM (GREEN) WEBER SICHERUNG, 6A 10X38 AM (GRÜN) WEBER FUSIBLE 6A 10X38 AM (VERT) WEBER FUSIBLE 6A 10X38 AM (VERDE) WEBER	
27	927043	PORTAFUSIBILE PONTEG LEG 01127 FUSE-HOLDER PONTEG LEG 01127 SICHERUNGSTRAGER PONTEG LEG 01127 PORTE-FUSIBLE PONTEG LEG 01127 PORTA-FUSIBLE PONTEG LEG 01127	
28	927114	MORSETTIERA SIEMENS 35MM 8WA1-735(TERRA) TERM.B. SIEMENS 35MM 8WA1-735(EARTH) KLEMMENB. SIEMENS 35MM 8WA1-735(ERDUNG) BOITE A BORNES SIEMENS 35MM 8WA1-735(TERRE) BORNERO SIEMENS 35MM 8WA1-735(TIERRA)	



# Pagina 7

1	77085	PANNELLO PORTA COMPONENTI COMPLETO	
2	77420	POLIESTERE LTD  POLIESTER AUTORACK LTD MBM	
3	77401	TASTIERA COMANDI AUTORACK CONTROL PANEL AUTORACK BEDINGUNGEN TESTENBRETT AUTORACK TABLEAU A POUSSOIRS COMMANDES AUTORACK TECLADO MANDOS AUTORACK	
4	77400	SCHEDA CONTROLLO AUTORACK MAIN BOARD AUTORACK KARTE AUTORACK CARTE ELECTRONIQUE AUTORACK TARJETA CONTROL AUTORACK	
5	77402	CAVO FLAT AUTORACK CABLE FLAT AUTORACK KABEL FLAT AUTORACK CABLEFLAT AUTORACK CABLE FLAT AUTORACK	
6	77086	TAPPO SCHEDA ELETTRONICA LASER	
7	77905	TRASFORMATORE 500VA (AUTORACK) TRANSFORMER TRANSFORMER TRANSFORMATEUR TRANSFORMADOR 500VA (AUTORACK)	
8	77043	COPERCHIO COVER DECKEL COUVERCLE TAPA TRANSFORMADOR PG ACABADO	
9	77026	SUPPORTO TRASFORMATORE PIEGATO FINITO	
20	80822	MORSETTO  BORNE 2,5MM 24A (ART.280-641) GRIS	
21	H.228047	* PORTA-FUSIBILE * FUSE-HOLDER *SICHERUNGSTRAGER * PORTE-FUSIBLE * PORTAFUSIBLE	
22	228013	FUSIBILE 5X20 8A FUSE SICHERUNG FUSIBLE FUSIBLE 5X20 8A	
23	231016	SONDA TEMPERATURA TEMP. PROBE KUGEL SONDE SONDA TEMPERATURA (AMPOLLA ACERO)	2x
24	77300	SCHEDA INTERFACCIA TURBINA AUTORACK  TARJETA INTERFAZ TURBINA AUTORACK	



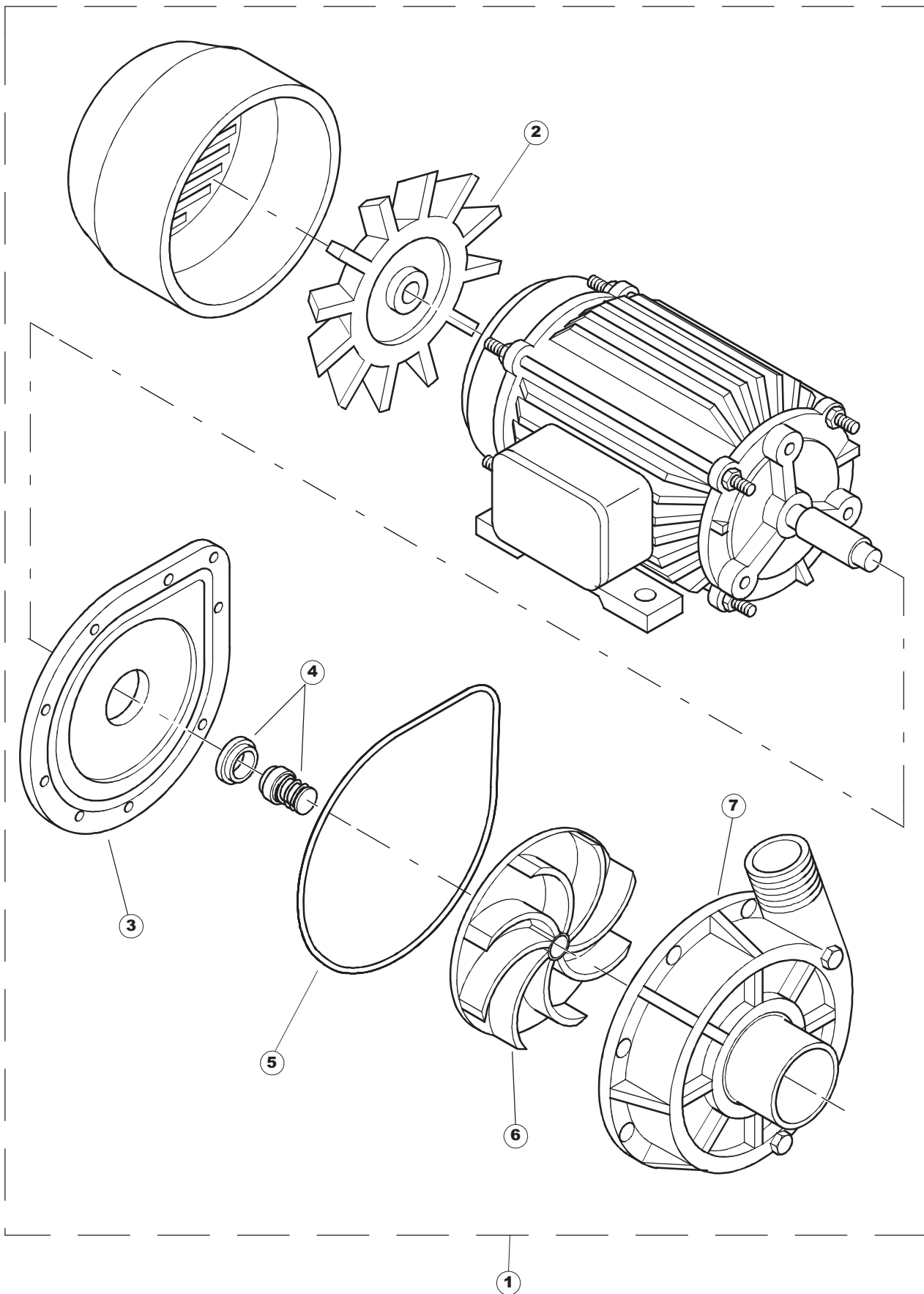
# Pagina 8

1	77904	PORTAGOMMA CURVO 3/8F PIPE HOLDER TUERE PORTE-TUYAU PORTAGOMA CURVO 3/8F(ART.GTL6446010C38)	
2	77049	RACCORDO BRACCIO PRERISCIACQUO  EMPALME BRAZO PRE-ENJUAGUE	
3	77035	BRACCIO PRERISCIACQUO 2 UGELLI COMPLETO	
4	77068	SPRUZZATORE RISCIAQUO MC3 INOX JOINT RINSING NOZZLE MC3 NACHSPUELUNGDUESE MC3 GICLEUR RINCAGE MC3 ROCIADOR ENJUAGUE MC3 E 08/95 INOX	
5	77060	RACCORDO A CROCE (KS12) IN PLASTICA	
6	77084	BRACCIO DOPPIO RISCIAQUO 6 UGELLI COMPL	
7	77042	STAFFA SUPER.SUPP.BRACCIO PRERISC	
8	77039	STAFFA INFER.FISS.BRACCIO RISC. PG.F	
9	927309	SPRUZZATORE INOX PER PRIMO SPRAYER, INOX FIRST SPRITZDÜSE, INOX ERSTES GICLEUR INOX PREMIER ROCIADOR INOX PARA PRIMO	
10	77059	TUBO 3VIE (TAGLIATO )	
11	41525	TUBO MANDATA RISCIAQUO (CRP) PIPE, DELIVERY PIPE FOR RINSE (CRP) ZUFLUSSROHR FÜR NACHSPÜLEN (CRP) TUYAU REFOULEMENT RINCAGE (CRP) TUBO IMPULSION ENJUAGUE (CRP)	
12	75401	RACCORDO BRACCIO RISCIAQUO TRAINO UNION, RINSE ARM TRAINO VERBINDUNGSST., NACHSPÜLARM KORBTR. RACCORD BRAS RINCAGE AVANCEMENT EMPALME BRAZO ENJUAGUE ACCION.	
13	77031	BRACCIO PRERISCIACQUO 4 UGELLI COMPLETO	
14	77040	STAFFA INFER.FISS.BRACCIO PRERISC	
15	77047HZ	ELETTROPOMPA 230/400V-3PH-60HZ ELECTROPUMP 230/400V-3PH-60HZ ELEKTROPUMPE 230/400V-3PH-60HZ ELECTROPOMPE 230/400V-3PH-60HZ ELECTROBOMBA 230/400V-3PH-60HZ (TRIFASICA)	

16	143010	TUBO PRESS.TP 12X19.5 PIPE, PRESSURE SWITCH TP 12X19.5 ROHR, DRUCKSCHALTER TP 12X19.5 TUYAU PRESS.TP 12X19.5 TUBO PRES. TP 12X19. 5	
17	75133	SPRUZZATORE RISCIAQUO INOX SPRAYER, RINSE, INOX SPRITZDÜSE, NACHSPÜLEN, INOX GICLEUR RINCAGE INOX ROCIADOR ENJUAGUE INOX	
18	75125	BRACCIO INFERIORE RISCIAQUO COMPLETO LOWER ARM, RINSE COMPLETE UNT. ARM, NACHSPÜLEN KOMPL. BRAS INF. RINCAGE COMPLET BRAZO INFERIOR ENJUAGUE COMPLETO	
19	75129	SQ INF. FISSAGGIO BRACCIO RISCIAQ.PG.F BRACK., LOWER FOR RINSE ARM FIX.PG.F BEFESTIGUNGSWINKEL, UNT. FÜR NACHSPÜLARM PG.F EQ. INF. FIXATION BRAS RINC.PG.F ESC. INF. FIJACION BRAZO ENJUAGUE PG ACAB	
20	75115	BRACCIO SUPERIORE RISCIAQUO COMPLETO UPPER ARM, COMPL.RINSE OB. NACHSPÜLARM, KOMPL. BRAS SUPERIEUR RINCAGE COMPLET BRAZO SUPERIOR ENJUAGUE COMPLETO	
21	75131	SQUADRA SUPERIORE FISSAGGIO BRACCIO RISCIAQUO PG. BRACKET BEF.WINKEL EQUERRE ESC SUP. FIJACION BRAZO ENJUAGUE PG.ACAB.	
22	927013	RACCORDO OT.3/8X12 SALDATO CROMATO UNION, BRASS 3/8X12 WELDED CHROM.-PLATED VERBINDUNGSST., MESSING 3/8X12 GESCHW. VERCHR. RACCORD LAITON 3/8X12 SOUDE CHROME EMPALME LAT. 3/8X12 SOLDADO CROMADO	
23	929163	RACCORDO IN OTTONE 3/8M CURVO METANO UNION, BRASS 3/8M BEND METHANE VERBINDUNGSST., MESSING 3/8M GEBOG. ERDGAS RACCORD EN LAITON 3/8M COURB METHANE EMPALME LATON 3/8M CURVO METANO	
24	75625	BOILER TRAINO COMPATTA(17LT.) BOILER  CALENTADOR ACCION. COMPATTA(17LT.)	
25	DEV224	EL.VAL DOPPIA 24V 50-60HZ MULLER ---> SOL.VALVE, DOUBLEA 24V 50-60HZ MULLER ---> E/VENTIL, DOPPELT 24V 50-60HZ MULLER ---> ELECTROV. DOUBLE 24V 50-60HZ MULLER ---> EL. VAL DOBLE 24V 50-60HZ MULLER --->	
26	75998	MANOMETRO PER RIDUTTORE(0-2,5 BAR) MANOMETER FOR RED.GEAR(0-2,5 BAR) MANOMETER FÜR REDUZIERST.(0-2,5 BAR) MANOMETRE POUR REDUCTEUR (0-2,5 BAR) MANOMETRO PARA REDUCTOR(0-2,5 BAR)	
27	927015	RACCORDO IN OTTONE 3/8 PORTAGOMMA D12 UNION, BRASS 3/8 RUBBER-HOLDER D12 VERBINDUNGSST., MESSING 3/8 SCHLAUCHTÜLLE D12 RACCORD EN LAITON 3/8 PORTE-CAOUTCHOUC D12 EMPALME LATON 3/8 EMPALME D12	
28	927150	RIDUTTORE PRESSIONE 1/2" RED.GEAR, PRESSURE 1/2" DRUCKMINDERER 1/2" REDUCTEUR PRESSION 1/2" REDUCTOR PRESION 1/2"	
29	75283	STAFFA SOSTEGNO RIDUTTORE PRESSIONE PG.F BRACKET, SUPP. FOR PRESSURE REDUCER PG.F BÜGEL, HALTER FÜR DRUCKMINDERER PG.F ETRIER SUPPORT REDUCTEUR PRESSION PG.F SOPORTE SOSTEN REDUCTOR PRESION PG. F	
30	230020C	KIT RESISTENZA REB230020 (8KW) KIT, RESISTANCE REB230020 (8KW) KIT, WIDERSTAND REB230020 (8KW) KIT RESISTANCE REB230020 (8KW) KIT RESISTENCIA REB230020 (8KW)	

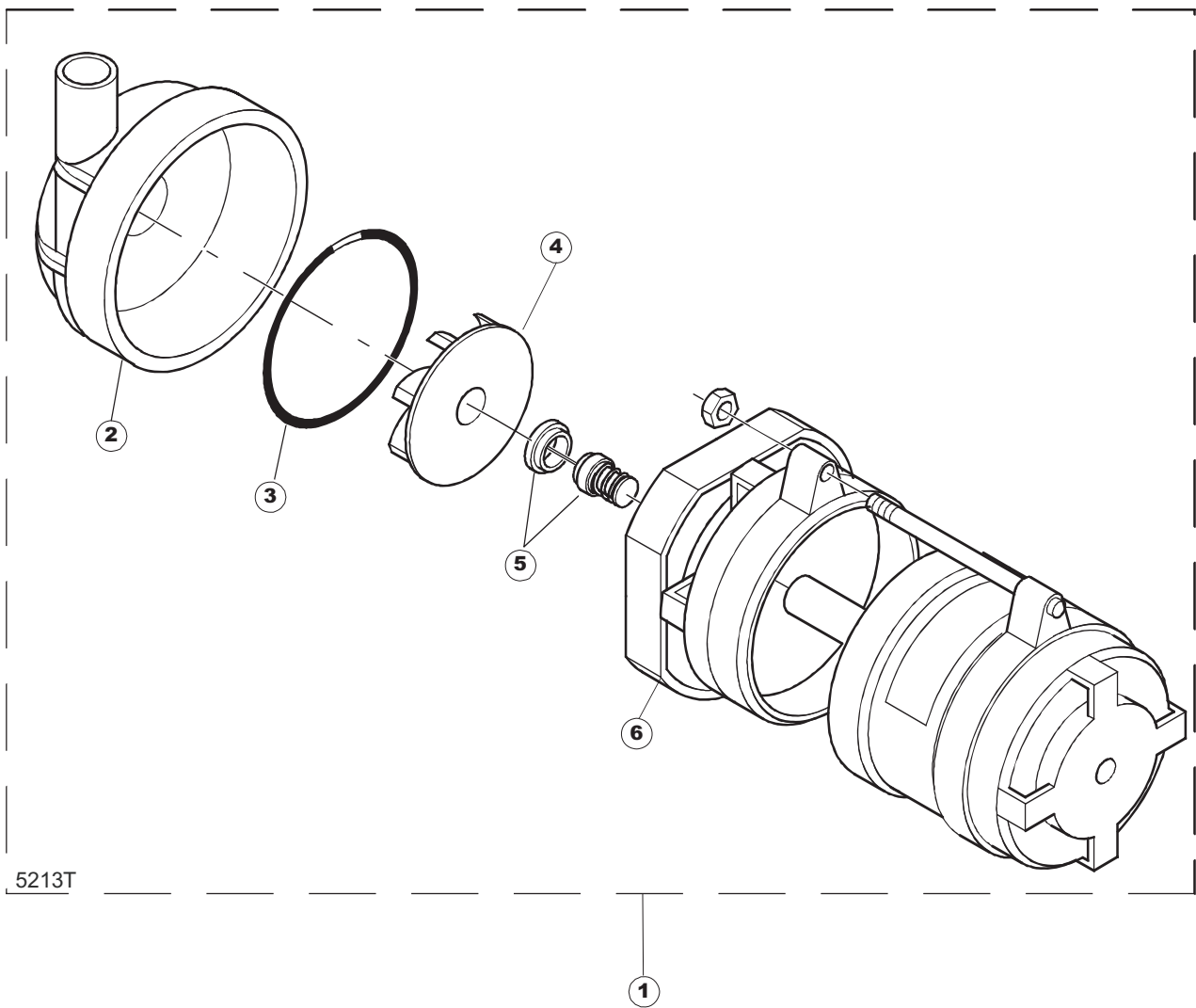


31	69870	PROTEZIONE RESISTENZA BOILER BOILER HEATING ELEMENT PROTECTION HEIZUNGSSCHUETZ DES WARMWASSERBEREITERS PROTECTION RESISTANCE BOILER PROTECCION RESISTENCIA CALENTADOR	
32	926053	TAPPO/FLANGIA CIECA 170880543 CAP/FLANGE BLIND 170880543 PFROPFEN/FLANSCH BLIND 170880543 BOUCHON/BRIDE BORGNE 170880543 TAPON/BRIDA CIEGA 170880543	
33	77903	MISURATORE DI FLUSSO (ART.VTY10K5-30-2)  MEDIDOR DE FLUJO (ART.VTY10K5-30-2)	
34	927076	RACCORDO DA 1/2X297 COMPL.DI DADO UNION, 1/2X297 COMPL.W/NUT VERBINDUNGSST., 1/2X297 MIT SCHRAUBENMUTTER RACCORD DE 1/2X297 COMPL.D'ECROU EMPALME DE 1/2X297 COMPL. DE TUERCA	
35	77930	DADO	
36	CGF17	GUARNIZ D.24X17 GASKET, D.24X17 DICHTUNG, D.24X17 JOINT D.24X17 JUNTA D. 24X17	
37	77714	RACCORDO INOX 3/4" -1/2"  EMPALME INOX 3/4" -1/2"	
38	DZR582I	RACC INOX 1/2" TE FIL.  EMP. INOX 1/2" TE FIL.	
39	929038	PORTASONDA TERMOSTATO 55 PROBE-HOLDER, THERMOSTAT 55 SONDENHALTER, THERMOSTAT 55 PORTE-SONDE THERMOSTAT 55 PORTASONDA TERMOSTATO 55	
40	144010	DISPOSIT.A/R.(EB) CON RACCORDO SFIATO CHECK VALVE (EB) W/DRAIN UNION RÜCKSCHLAGVORR.(EB) MIT ENTLÜFTUNG DISPOSIT.A/R.(EB) AVEC RACCORD DE VIDANGE DISPOSIT. A/R. (EB) CON EMPALME ALIVIAD.	
41	75245	COIBENTAZ BOILER GOLD80 BOILER INSULATION GOLD 80 BOILERISOLIERUNG GOLD 80 ISOLATION CHAUDIERE GOLD80 AISLAMIENTO CALENTADOR GOLD80	
42	77090	TUBO DI COLLEGAMENTO TURBINA PIPE GUMMISCHLAUCH TUYAU TUBO DE CONEXION TURBINA	
43	143173	GIUNZIONE RISC.PLAST.35/40/50 JOINT, RINSE PLAST.35/40/50 VERBIND., NACHSPÜLEN KUNST.35/40/50 JOINT RINC.PLAST.35/40/50 UNION ENJUAGUE PLAST. 35/40/50	
44	230083C	KIT RESISTENZA REB230083 (6KW) KIT, RESISTANCE REB230083 (6KW) KIT, WIDERSTAND REB230083 (6KW) KIT RESISTANCE REB230083 (6KW) KIT RESISTENCIA REB230083 (6KW)	
54	75977	KIT KIT KIT KIT KIT REDUCTOR PRESION ACCION.	



## Pagina 9

1	DPE2640HZ	ELETTROPOMPA 1.4KW 230-400/240-415 60HZ ELECTR.PUMP 1.4KW 230-400/240-415 60HZ ELEKTROPUMPE 1.4KW 230-400/240-415 60HZ ELECTROPOMPE 1.4KW 230-400/240-415 60HZ ELECTROBOMBA 1.4KW 230-400/240-415 60HZ	
2	335003	VENTOLA 1295/2277 FAN 1295/2277 GEBL. 1295/2277 VENT. 1295/2277 ROTOR 1295/2277	
3	80880	FLANGIA PER ELETTROPOMPA 4225/2 ELECTROPUMP FLANGE 4225/2 FLANSCH FUER MOTOPOMPE 4225/2 BRIDE POUR MOTOPOMPE 4225/2 BRIDA EL.BOMBA 4225/2 (PM4225320)	
4	141002	TENUTA MECCANICA ROTANTE D 12 SEAL, MECH., REVOLVING D 12 DICHTUNG, MECH., ROTIER. D 12 JOINT MECANIQUE PIVOTANT 12 SELLO MECANICO GIRAT. D 12	
5	456023	OR FIR 1225-41-95 O-ring FIR 1225-41-95 O-Ring FIR 1225-41-95 OR FIR 1225-41-95 OR FIR 1225-41-95	
6	RAG297HZ	GIRANTE EL POMPA (60HZ) D=90MM	
7	80882	CHIOCC EL.POMPA 4225/2 1295303/B C/TAPPO	



# Pagina 10

1	77047HZ	ELETTROPOMPA 230/400V-3PH-60HZ ELECTROPUMP 230/400V-3PH-60HZ ELEKTROPUMPE 230/400V-3PH-60HZ ELECTROPOMPE 230/400V-3PH-60HZ ELECTROBOMBA 230/400V-3PH-60HZ (TRIFASICA)	
2	80812	CHIOCCIOLA POMPA RISCIAQUO (5213) PUMP HOUSING PUMPENGEHAEUSE VOLUTE ESPIRAL BOMBA ENJUAGUE (5213)	
3	80816	GUARNIZ. POMPA RISCIAQUO (5213) RINSE PUMP GASKET (5213) DICHTUNG FUER SPUELPUMPE JOINT POMPE DE RINCAGE JUNTA BOMBA ENJUAGUE (5213)	
4	80813HZ	GIRANTE POMPA (60HZ) D=60MM	
5	80815	TENUTA MECC. POMPA RISCIAQUO (5213) RINSE PUMP SEAL (5213) GLEITRINGDICHTUNG FUER SPUELPUMPE TENUE MECANIQUE POMPE DE RINCAGE ESTANQ. MEC. BOMBA ENJUAGUE (5213)	
6	80814	FLANGIA C/SCUDO POMPA RISCIAQUO (5213) FLANGE FOR RINSE PUMP FLANSCH FUER SPUELPUMPE FLASQUE BRIDA C/ESCUDO BOMBA ENJUAGUE (5213)	