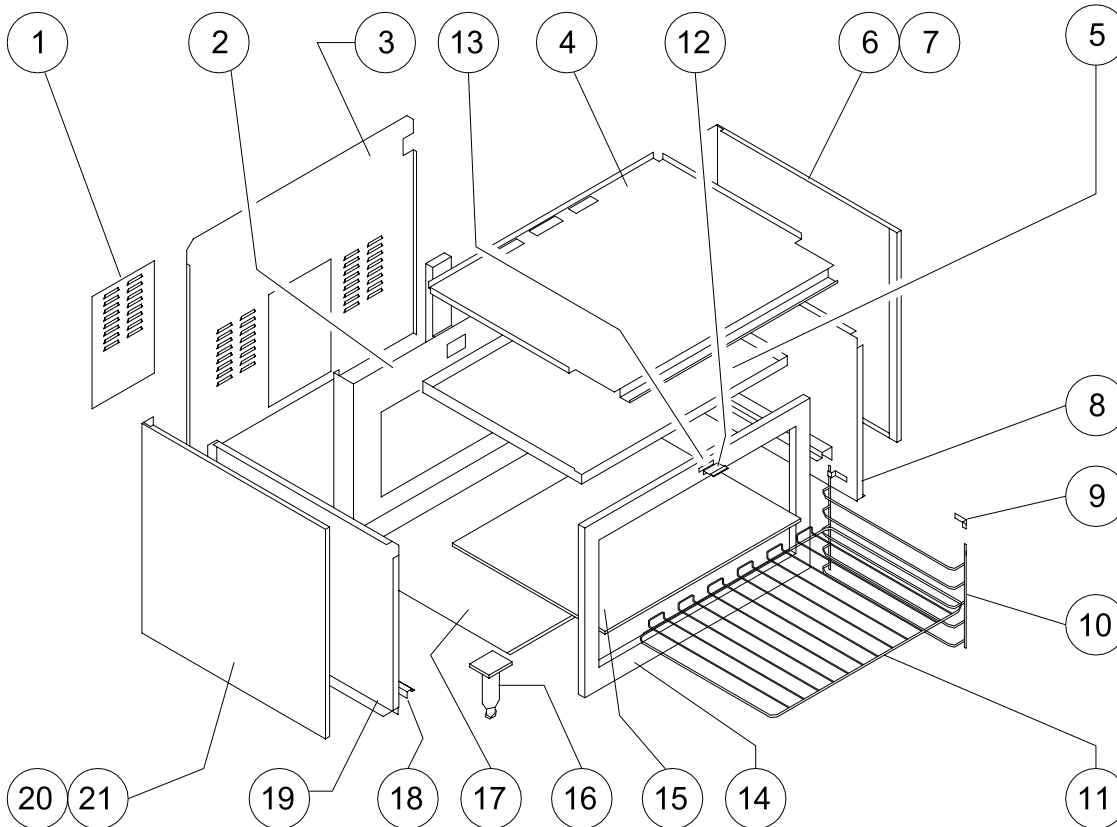


# G1197 DOMINATOR PLUS

## SPARES INFORMATION

### BODY ASSEMBLY



| Item | Spares No. | Description                   |
|------|------------|-------------------------------|
| 1.   | 537160260  | Electrics Cover Plate         |
| 2.   | 537160340  | Inner Back Panel              |
| 3.   | 537160190  | Outer Back Panel              |
| 4.   | 537101220  | Crown Plate Assembly          |
| 5.   | 537160350  | Oven Inner Top Panel          |
| 6.   | 530963022  | Outer Side Panel - RH (s/s)   |
| 7.   | 530963041  | Outer Side Panel - RH (black) |
| 8.   | 537160360  | Inner Side Panel - RH         |
| 9.   | 530963200  | Hanger Bracket                |
| 10.  | 530963190  | Shelf Hanger                  |

| Item | Spares No. | Description                     |
|------|------------|---------------------------------|
| 11.  | 530963180  | Grid Shelf                      |
| 12.  | 537101190  | Keeper Bracket Door Catch       |
| 13.  | 530962151  | Shim for Keeper Brkt. Door Cth. |
| 14.  | 537160210  | Front Frame                     |
| 15.  | 537160220  | Oven Bottom Panel               |
| 16.  | 537101090  | Adjustable Leg                  |
| 17.  | 534101060  | Oven Base Plate                 |
| 18.  | 537160370  | Oven Side Trim                  |
| 19.  | 537160380  | Inner Side Panel - LH           |
| 20.  | 530963012  | Outer Side Panel - RH (s/s)     |
| 21.  | 530963031  | Outer Side Panel - RH (black)   |

### Falcon Catering Equipment

#### HEAD OFFICE AND WORKS

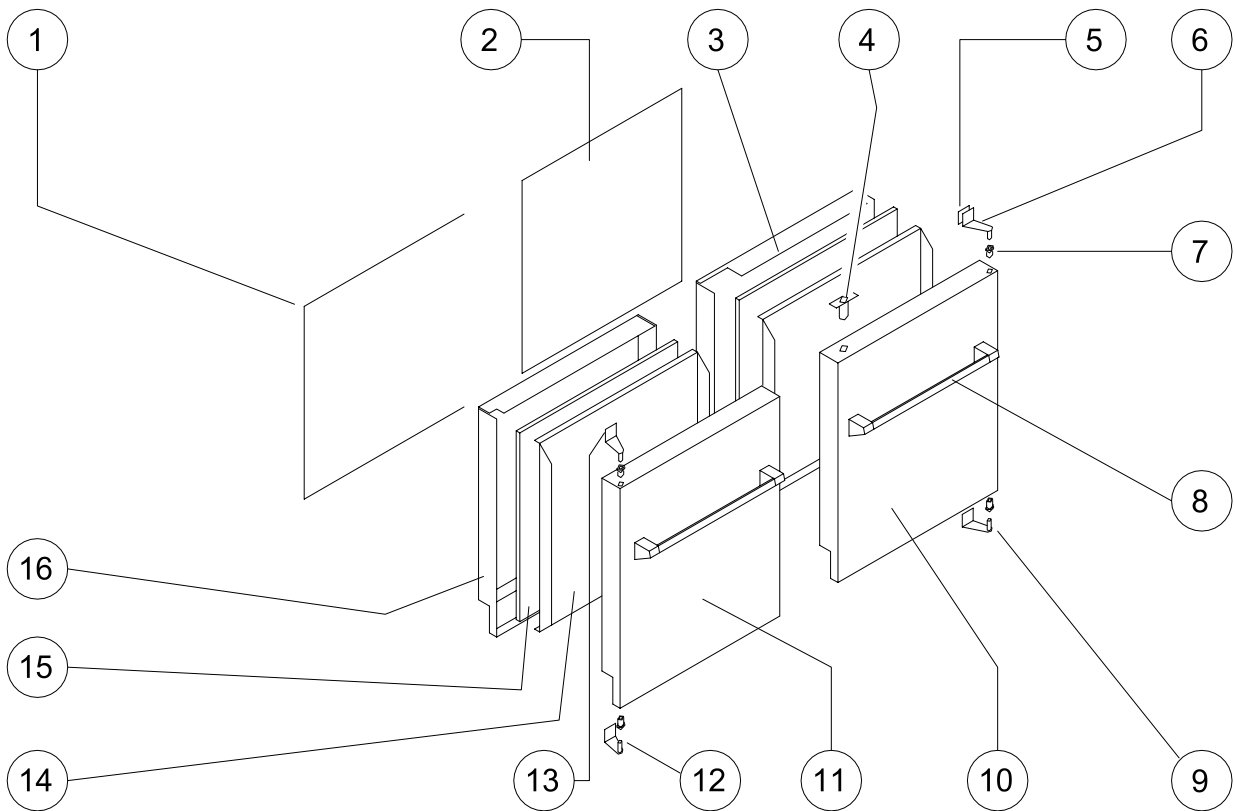
PO Box 37, Foundry Loan, Larbert.  
Stirlingshire. Scotland. FK5 4PL

Tel: 01324 554 221

Fax: 01324 552 211

RZZ 264 Ref. 1

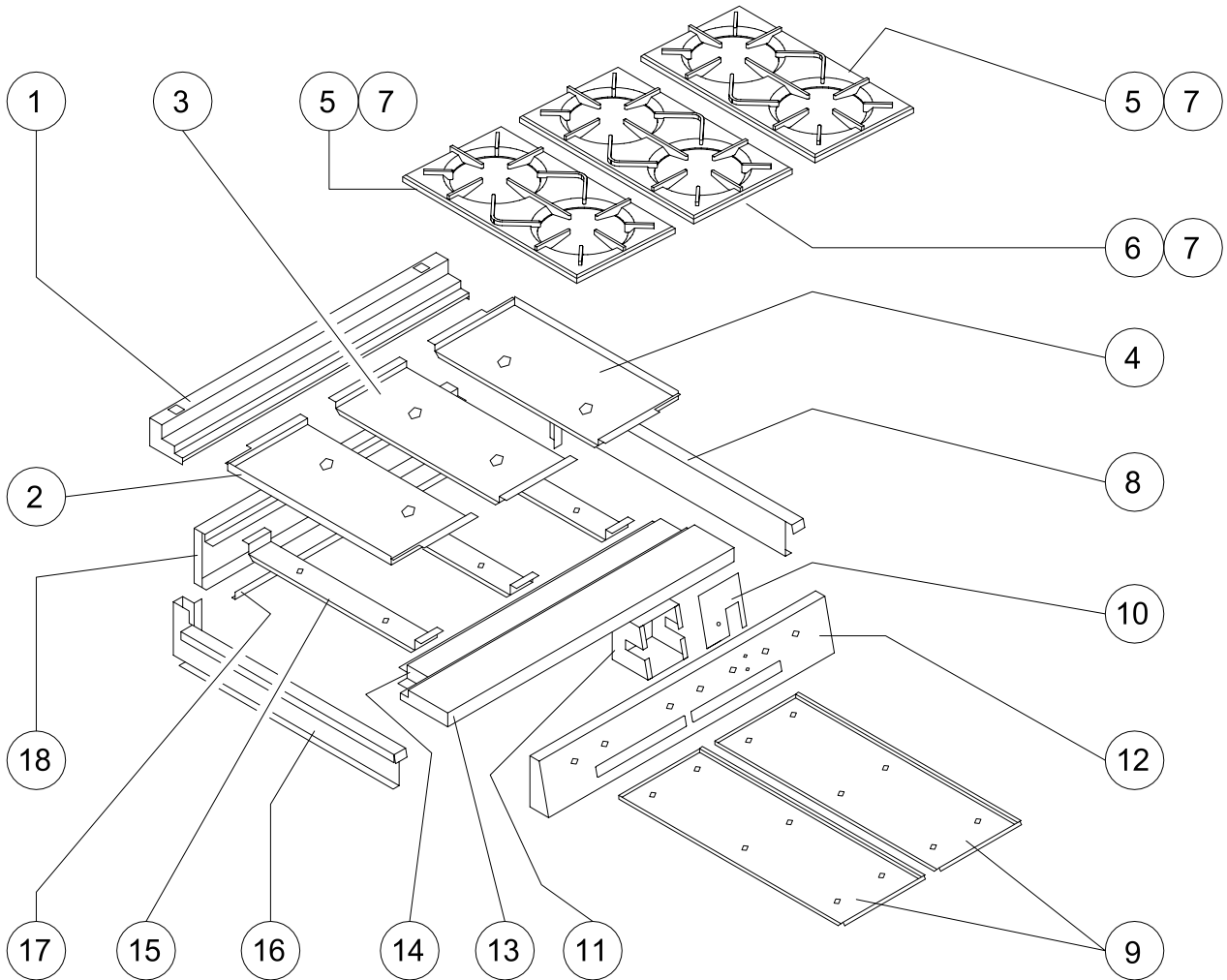
# DOOR ASSEMBLY



| Item | Spares No. | Description                 |
|------|------------|-----------------------------|
| 1.   | 537160110  | Oven Door Seal - LH         |
| 2.   | 537160140  | Oven Door Seal - RH         |
| 3.   | 537160130  | Inner Door Panel - RH       |
| 4.   | 537101350  | Roller Catch                |
| 5.   | 530962221  | Shim for Door Hinge         |
| 6.   | 534101013  | Door Hinge - Top RH         |
| 7.   | 537101290  | Bush for Door Hinge         |
| 8.   | 530962170  | Handle Assembly c/w Gaskets |
| 9.   | 534101015  | Door Hinge - Bottom RH      |

| Item | Spares No. | Description                    |
|------|------------|--------------------------------|
| 10.  | 537101380  | Outer Door Panel - RH          |
| 11.  | 537101340  | Outer Door Panel - LH          |
| 12.  | 534101014  | Door Hinge - Bottom LH         |
| 13.  | 534101012  | Door Hinge - Top LH            |
| 14.  | 537101310  | Insulation Panel               |
| 15.  | 537101300  | Insulation for Oven Door       |
| 16.  | 537160100  | Inner Door Panel - LH          |
| 17.  | 537160120  | Door Assembly - RH (not shown) |
| 18.  | 537160090  | Door Assembly - LH (not shown) |

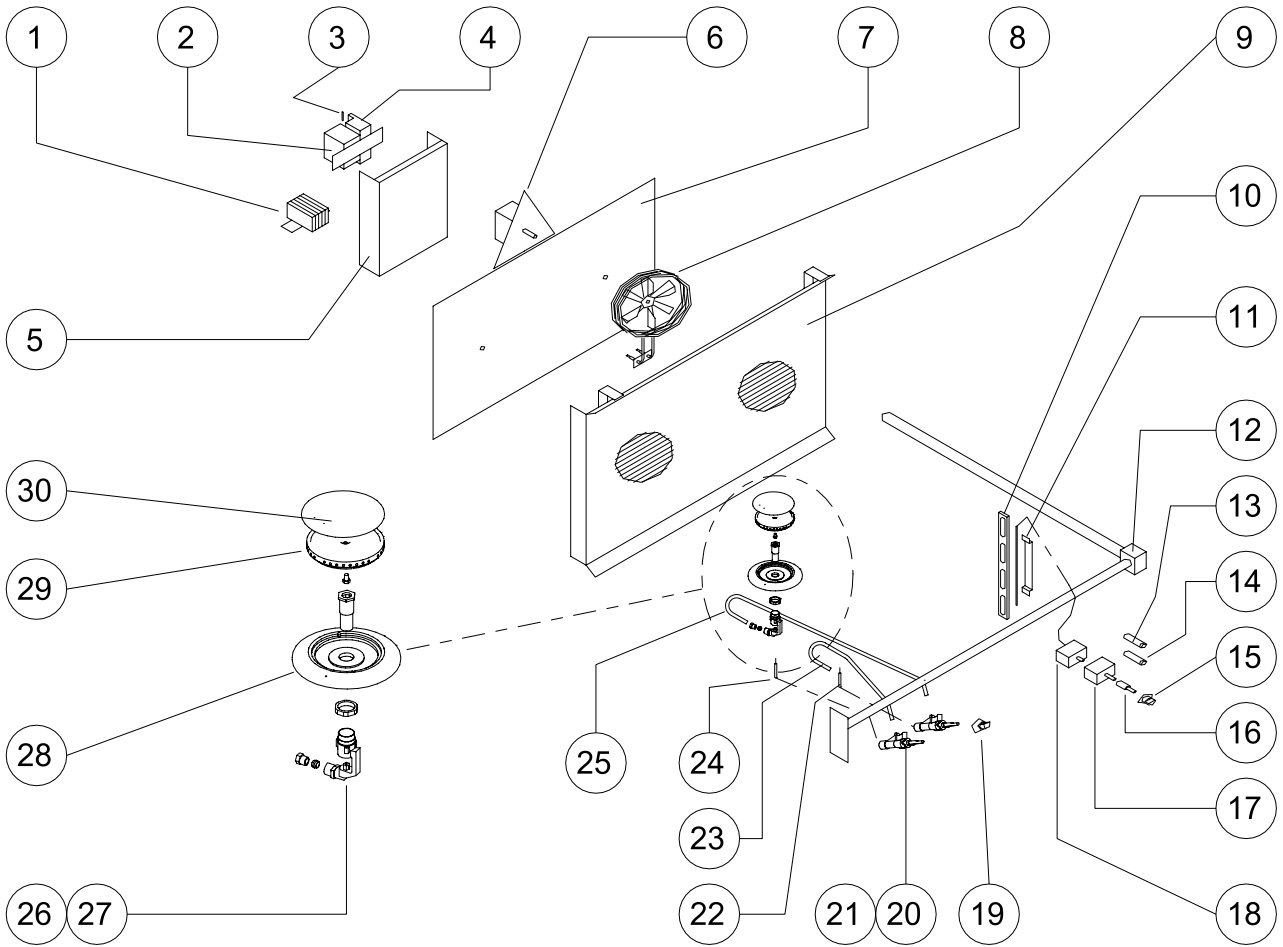
# HOB ASSEMBLY



| Item | Spares No. | Description             |
|------|------------|-------------------------|
| 1.   | 530961201  | Hob Rail - Rear         |
| 2.   | 534101070  | Drip Shed - LH          |
| 3.   | 534101090  | Drip Shed - Centre      |
| 4.   | 534101080  | Drip Shed - RH          |
| 5.   | 534100010  | Pan Support (End)       |
| 6.   | 534100020  | Pan Support (Centre)    |
| 7.   | 534101051  | Pan Support - Enamelled |
| 8.   | 537101460  | Hob Support - RH        |
| 9.   | 530960120  | Drip Tray               |

| Item | Spares No. | Description                 |
|------|------------|-----------------------------|
| 10.  | 537160250  | Thermostat Cover Plate      |
| 11.  | 537160240  | Thermostat Mounting Bracket |
| 12.  | 537160310  | Control Panel               |
| 13.  | 537101510  | Hob Rail - Front            |
| 14.  | 537160320  | Hob Rail Support - Front    |
| 15.  | 537101570  | Burner Support Bar          |
| 16.  | 537101450  | Hob Support - LH            |
| 17.  | 537101520  | Drip Tray Stop              |
| 18.  | 537160330  | Hob Rail Support - Rear     |

# CONTROLS ASSEMBLY



| Item | Spares No. | Description                    |
|------|------------|--------------------------------|
| 1.   | 537160170  | Terminal Block (Incoming)      |
| 2.   | 537160020  | Contactator                    |
| 3.   | 537160010  | Fuse                           |
| 4.   | 537160180  | Terminal Block (Support Panel) |
| 5.   | 537160270  | Electrics Support Panel        |
| 6.   | 537160050  | Oven Fan                       |
| 7.   | 537160230  | Element Mounting Panel         |
| 8.   | 537160060  | Oven Element                   |
| 9.   | 537160200  | Oven Back Baffle               |
| 10.  | 537160290  | Phial Guard                    |
| 11.  | 537160280  | Phial Bracket                  |
| 12.  | 537160300  | Float Rail Assembly            |
| 13.  | 537140440  | Indicator Neon (Amber)         |
| 14.  | 537140450  | Indicator Neon (Red)           |
| 15.  | 537160150  | Control Knob for Thermostat    |
| 16.  | 537160160  | Spindle Adaptor                |

| Item | Spares No. | Description                  |
|------|------------|------------------------------|
| 17.  | 537160000  | Fan Switch                   |
| 18.  | 537160030  | Oven Thermostat              |
| 19.  | 534101000  | Control Knob for Hob Gas Tap |
| 20.  | 537101610  | Hob Gas tap c/w Knob         |
| 21.  | 534101018  | Hob Gas Tap                  |
| 22.  | 535130122  | Thermocouple (Short)         |
| 23.  | 537101530  | Burner Pipe (Front)          |
| 24.  | 535130123  | Thermocouple (Long)          |
| 25.  | 537101540  | Burner Pipe (Rear)           |
| 26.  | 537101096  | Burner Venturi (Natural Gas) |
| 27.  | 537101097  | Burner Venturi (Propane Gas) |
| 28.  | 537101560  | Burner Head                  |
| 29.  | 537101600  | Burner Ring                  |
| 30.  | 537101550  | Burner Cap                   |
| 31.  | 537101130  | Open Top Injector (Natural)  |
| 32.  | 537101140  | Open Top Injector (Propane)  |