

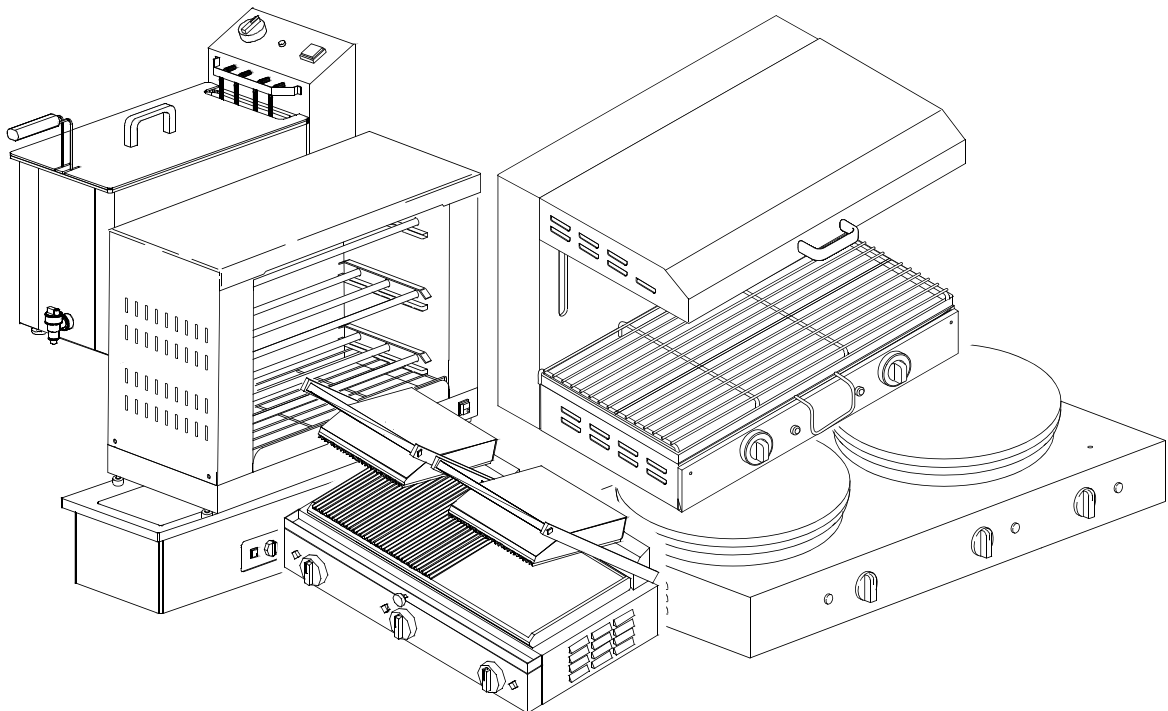
COOKING APPLIANCES

COOKING LINES

TYPE: CT

Accessories
WITHOUT ACCESSORY

Spare parts manual



S/N:

Valid from:..04/2004

Rev.: 4.0

1. Spare parts

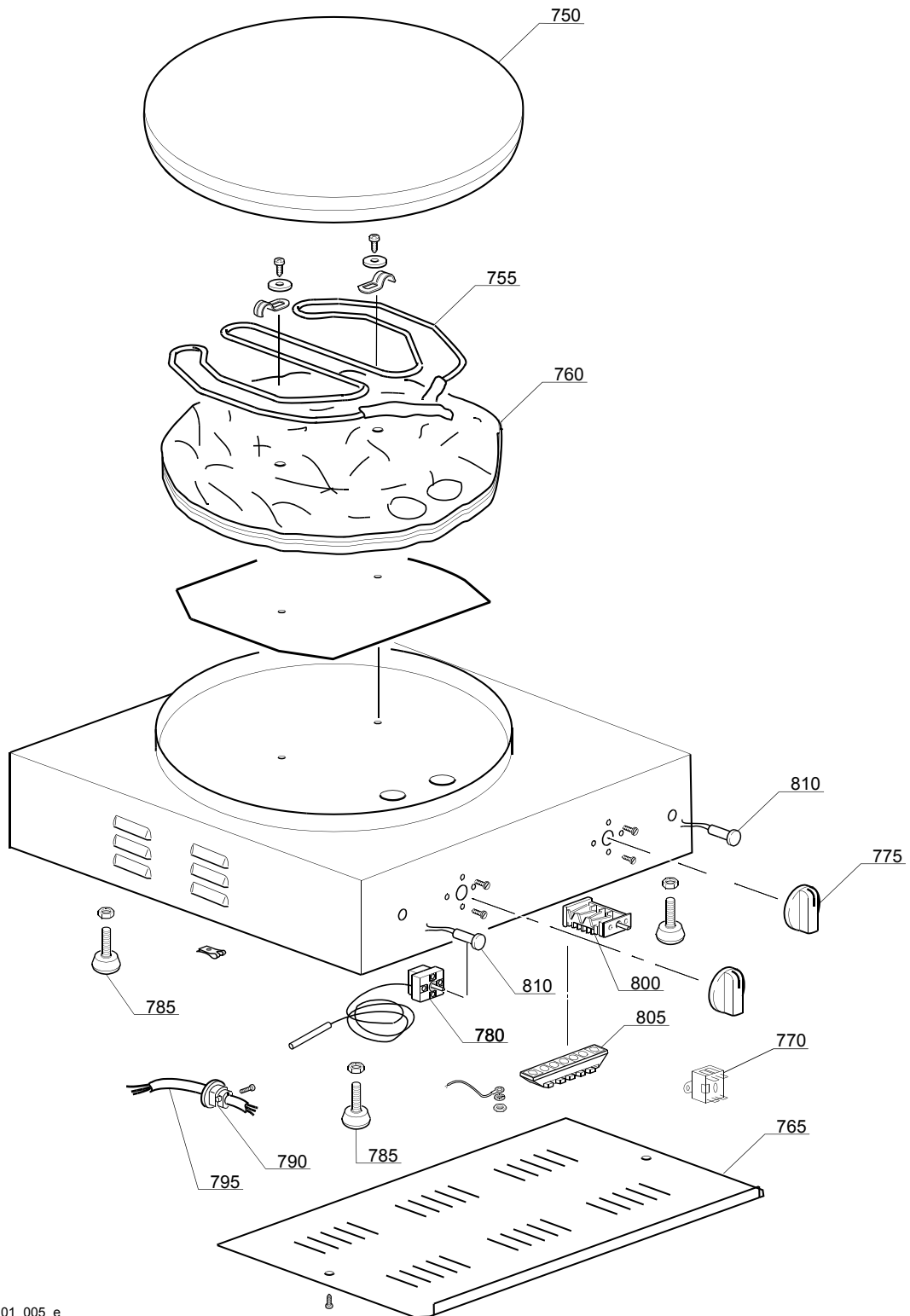
Toaster F6	7
Toaster F60	9
Toaster F60	11
Toaster F12	13
Toaster F120	15
Toaster F120	17
Crepe-X1	19
Crepe-X2	21
Single grill	23
Double grill.....	25
Salamander S1	27
Salamander S2.....	29
Bain Marie BM100-200-300	31
5M-6M/T-8T deep-fryer	33
5+5M-6+6M/T-8+8T deep-fryer	35

1.1 Voltage codes

Voltage code	Voltage
A	3/N/PE~400/230V 50Hz
B	~250V 16A 50Hz
C	3/N/PE~380/220V 50Hz
D	3/PE~200V 50-60Hz
F	2/PE 220-240V 50Hz
G	3/N/PE~415/240V 50Hz
H	3/PE~230V 50Hz
I	3/PE~220V 60Hz
J	3/PE~380 50Hz
K	3/PE~400V 50Hz
L	3/PE~415V 50Hz
M	3/PE~440V 60Hz
N	3/PE~460V 60Hz
O	3/PE~480V 60Hz
P	1/N/PE~220-240V 50Hz
R	2/PE~220-230V 60Hz
S	3/N/PE~400/230V 50Hz
T	3/PE~230V 60Hz

1.2 Product codes

Product code	Full name
Model codes	
Type codes	
50U	50U
50D	50D
50	50
52S	52S
52D	52D
52	52
53S	53S
53D	53D
53	53
54F	54F
54R	54R
54	54
55	55
59	59
CT	CT
BW	BW
Accessory codes	
wa	WITHOUT ACCESSORY



01_005_e

Spare parts

ID	P-code	Model	Type	Accessory	Voltage	Description
MODULE:Crepe-X1						
750	6005		BW,CT,52,52S			Polished plate
755	6006		BW,CT,52,52S			Electrical heating element
760	6007		BW,CT,52,52S			Insulating thermal panel
765	6009		BW,CT,52,52S			Bottom protection
770	6011		BW,CT,52,52S			Safety thermostat
775	8029		BW,CT,52,52S			Timer knob
780	9010		BW,CT,52,52S			Plate thermostat
785	9024		BW,CT,52,52S			Plate small foot
790	9035		BW,CT,52,52S			Plate cable-fastener
795	9540		BW,CT,52,52S			Power supply cable
800	9564		BW,CT,52,52S			Plate switch
805	500550		BW,CT,52,52S			3 poles terminal board
810	10711/B		BW,CT,52,52S			Pilot light