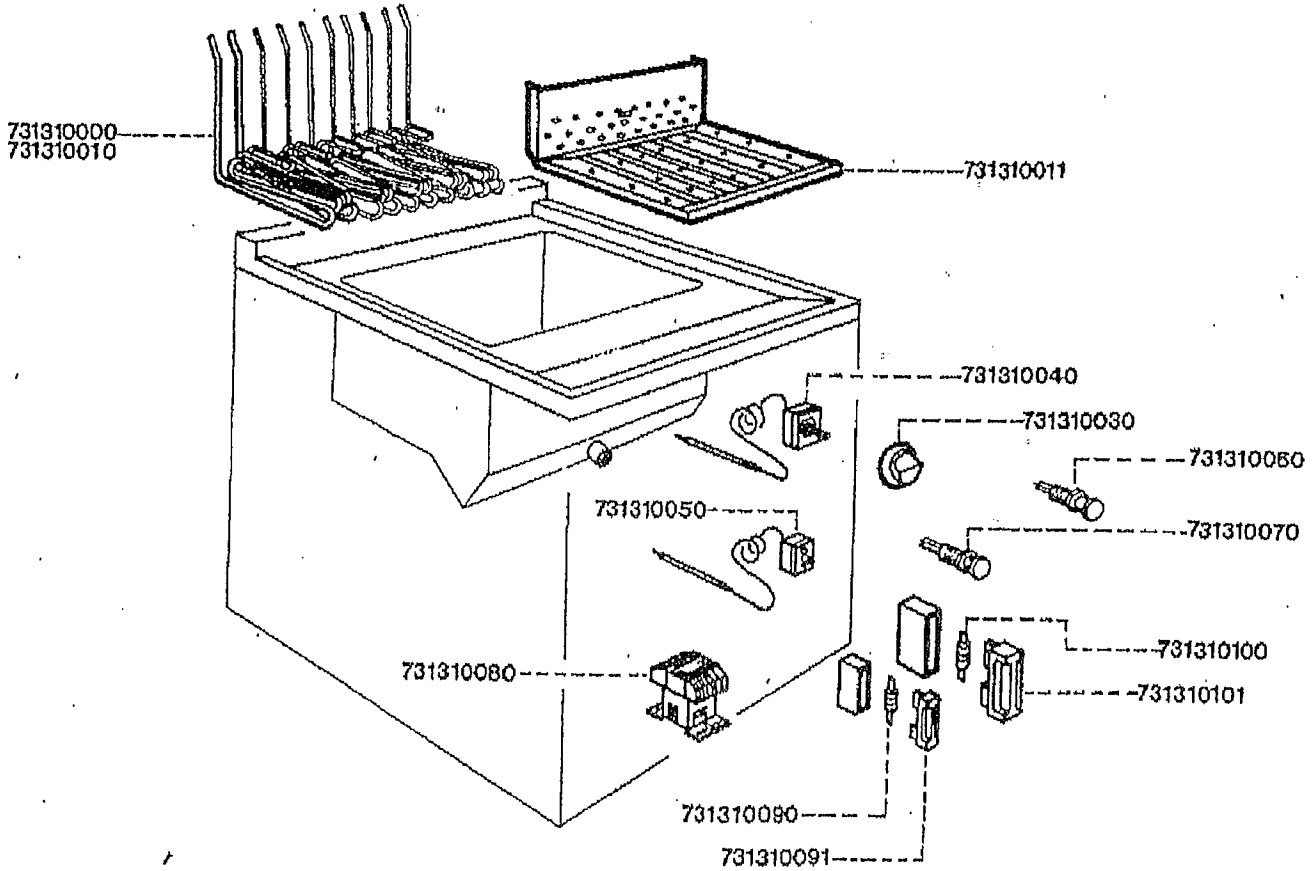


E1860 - Fryer Controls

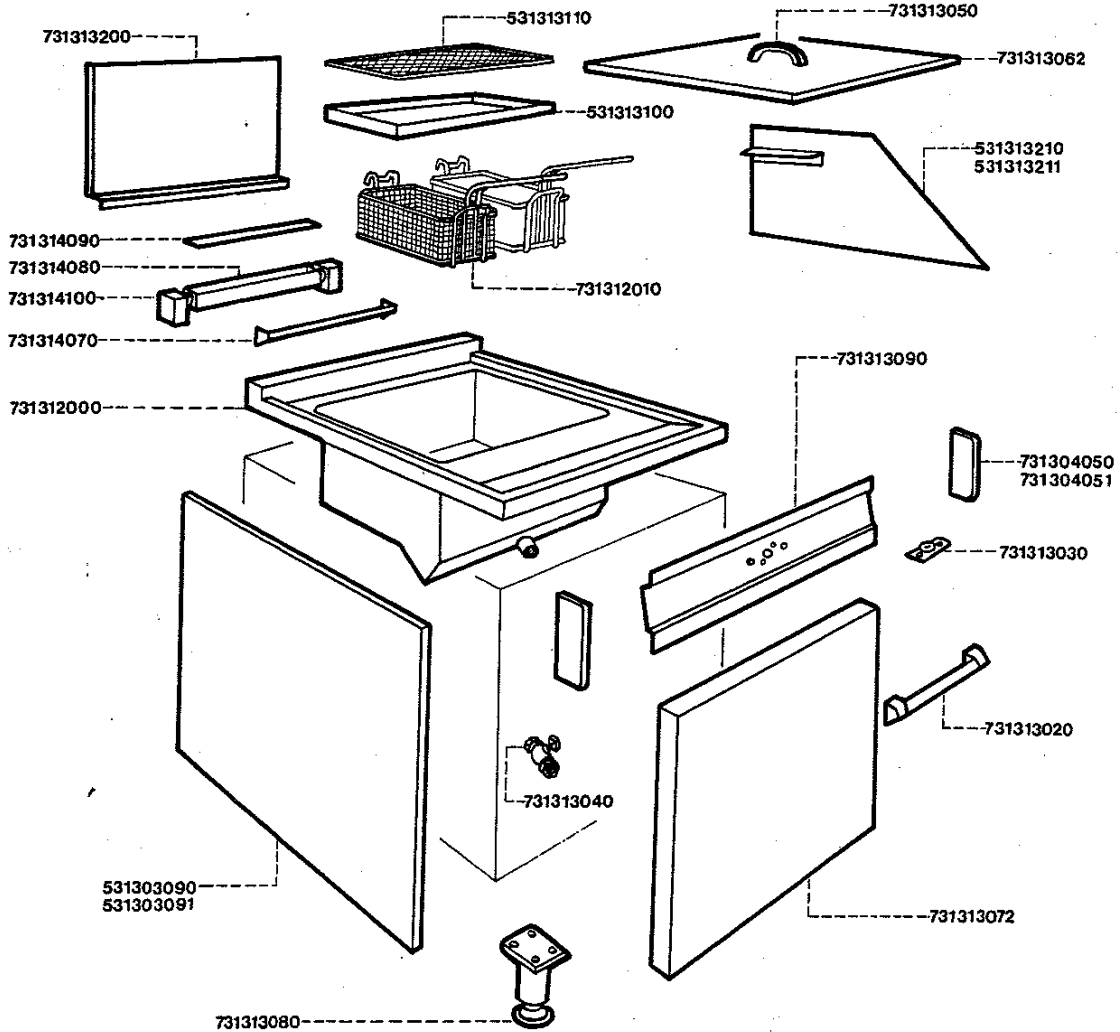


Part Number	Description
731310000	Element (4kw) 240v
731310010	Element Set (5)
731310040	Operating Thermostat – pre 01/07/06
731300030	Control Knob – pre 01/07/06
731300190	Operating Thermostat – post 01/07/06
731300200	Control Knob – post 01/07/06
731300050	Safety Thermostat – pre 10/04
731310135	Safety Thermostat – post 10/04
730300060	Red Neon
731300070	Amber Neon
731300080	Contactors
731300120	Element Guard
*	Non Production Parts
731310090	Fuse – 20 amp
731310091	Fuse Carrier + Base (20 amp)
731310100	Fuse – 40 amp
731310101	Fuse Carrier + base (40 amp)

* 7313001100 THERMOSTAT REPLACEMENT KIT OP/SAFETY E1830/60 post OCT/06

E1860 DEEP FAT FRYER

FRYER FITMENTS



Code No.	Description
5G 531303090	Outer Side Panel—L.H.
5G 531303091	Outer Side Panel—R.H.
7E 531313100	Fish Tray
12E 531313110	Fish Tray Mesh Insert
4G 531313210	Side Screen—R.H.
4G 531313211	Side Screen—L.H.
10M 731312000	Pan
10E 731312010	Basket
10H 731313012	Door Complete (not illustrated)
6C 731313020	Door Handle
9B 731313030	Door Catch
4E 731313040	Drain Valve

Code No.	Description
5B 731313050	Cover Handle
12E 731313062	Cover c/w Handle
10G 731313072	Door Panel
9B 731313080	Adjustable Leg
2D 731313090	Control Panel
1E 731313200	Back Screen
8D 731314070	Basket Hanging Rail
7G 731314080	Element Box
2D 731314090	Element Box Lid
12E 731314100	Element Support Box
12C 731304050	End Cheek—L.H.
12C 731304051	End Cheek—R.H.

TILT SWITCH - 539221290
HINGE BUSH ASSY - 731310013

731300160 E1830
Element Clamp E1808
7423115

731310130 E1860
Element Clamp E1838
7423114

731300150 E1830
Element Clamp Bkt E1860
7423115

Sheet Reference Number

E1860/1184/001

**Falcon Catering
Equipment**
Commercial and institutional
catering equipment



Falcon Catering Equipment is a
business name of
Glynwed Consumer & Building Products Ltd
a member of the
Glynwed International plc
group of companies