



Würfeleisbereiter Vollkegel, Luftk., 26 kg/24 h, 6 kg Speicher, einbaufähig

Artikel-Nr.
711057 (IC24A)

Explosionszeichnung / Ersatzteile

Bitte bei Ersatzteilbestellung immer Artikelnummer und
Seriennummer mit angeben!



IC 24

LIST OF THE EXPLODED VIEWS



SHELL ASSY

COOLING SYSTEM

HYDRAULIC CIRCUIT

SPRAYER PUMP

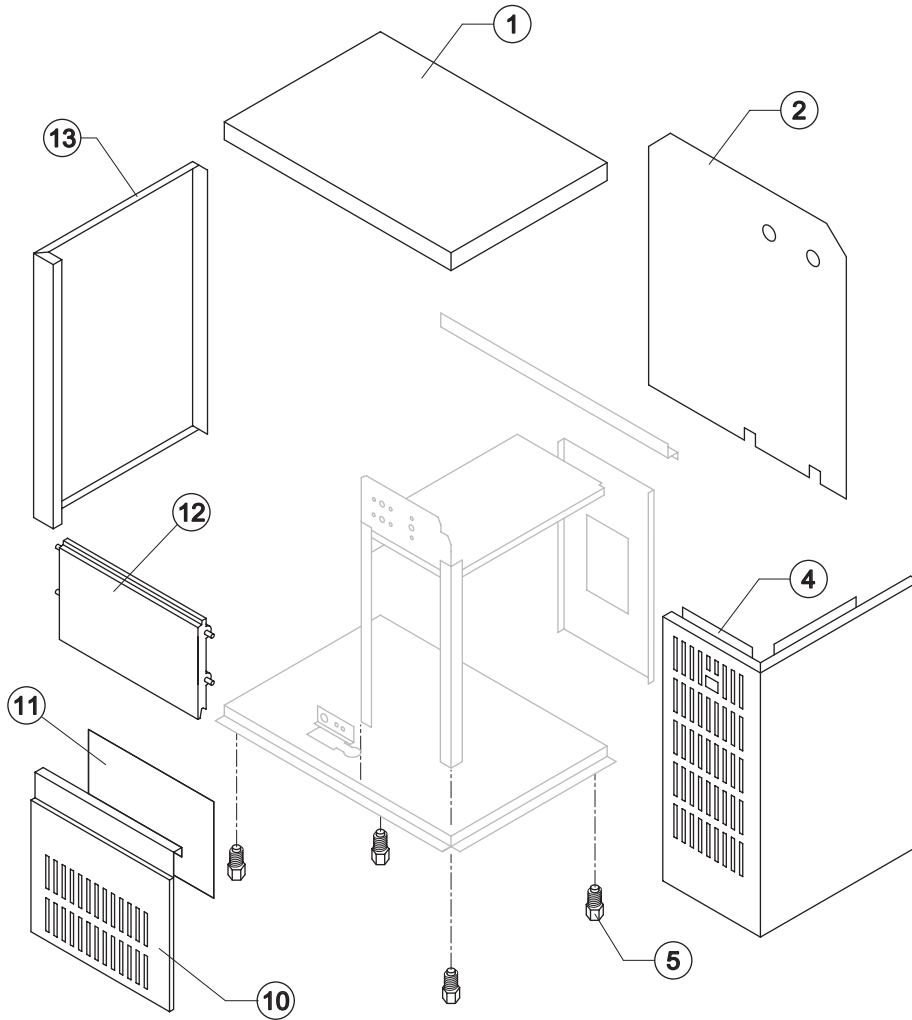
ELECTRIC PARTS

Rev. 12 - 18/05/2018



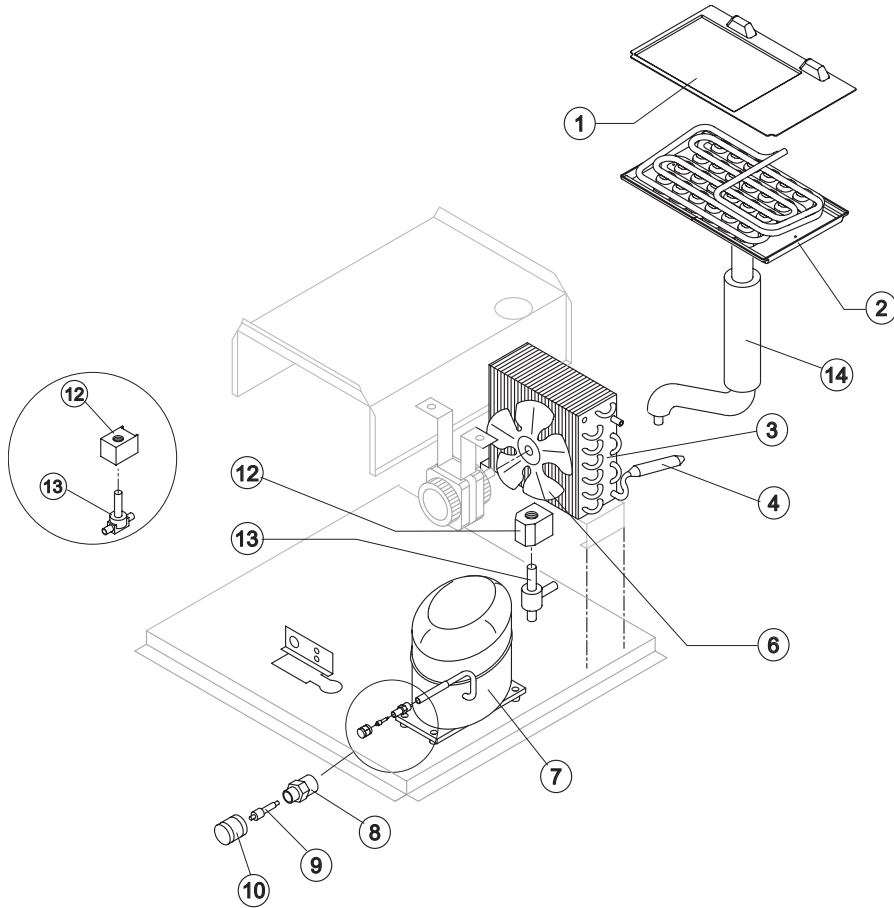
IC 24

SHELL ASSY



Ref.	Spare Description	Code
1	Top Assembly	C22298
2	Rear Panel	21152
4	Right + Front Panel (Fan Side)	22297
5	Foot	10017
10	Front Panel	22300
11*	Filtering Panel	18106
12	Door Assy	C10303
13	Left Side Panel	22299

Rev. 12 - 18/05/2018



Ref.	Spare Description	Code
1	Evaporator Cover Panel	10451
2	Evaporator	See Table
3	Air Condenser	20260
4*	Molecular Drier	14009
6	Sucking Fan	20095
7	Compressor	See Table
8	Vacuum-Charge Valve Body	14007
9*	Vacuum-Charge Valve Device	14005
10*	Vacuum-Charge Valve Plug	14006
12*	Hot Gas Valve Coil	See Table
13*	Hot Gas Valve Body	20410
14	Suctin Line	for the spare parts code give us the s/n.

Ref. 2 - Evaporator

Kind of Cube	Code
18 g. (Standard)	D10045
33 g.	-
13 g.	D10416

Ref. 7 - Compressor

Tension	Code
T11	23886
T12	23494A
T13	231036

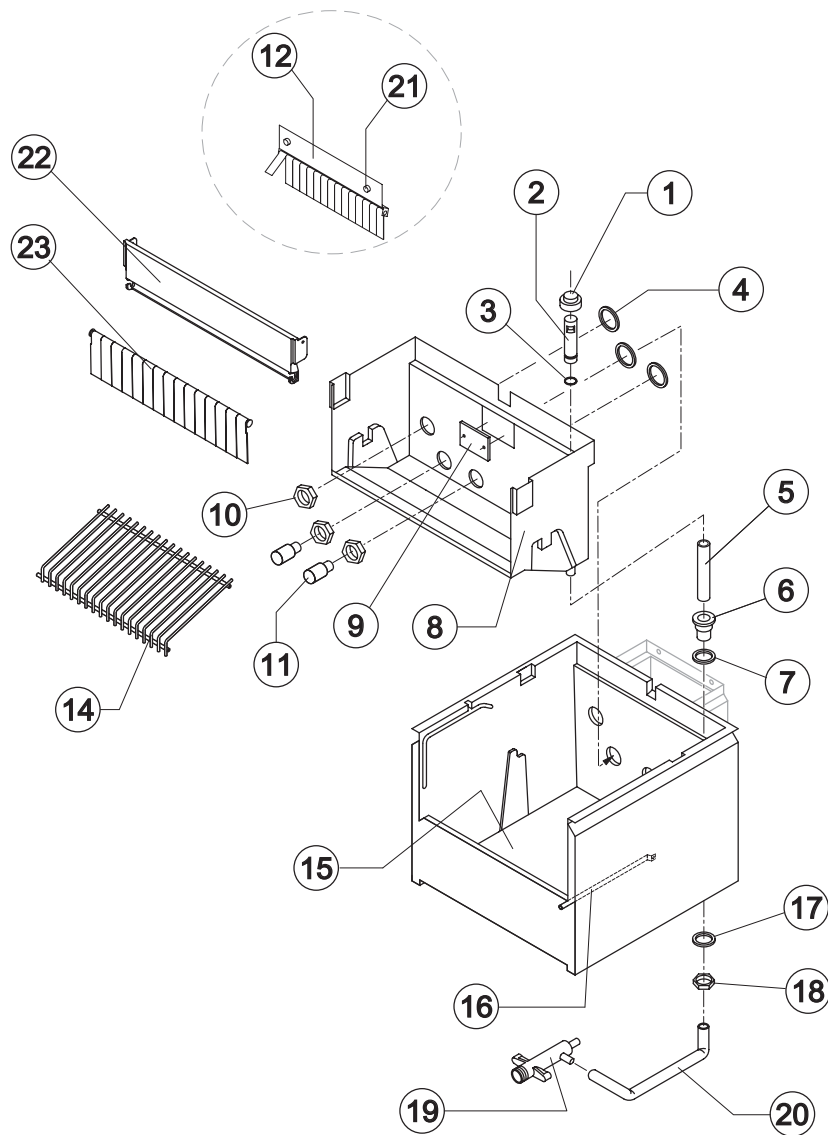
Ref. 12* - Hot Gas Valve Coil

Tension	Code
T11	231294
T12	231294
T13	23256



IC 24

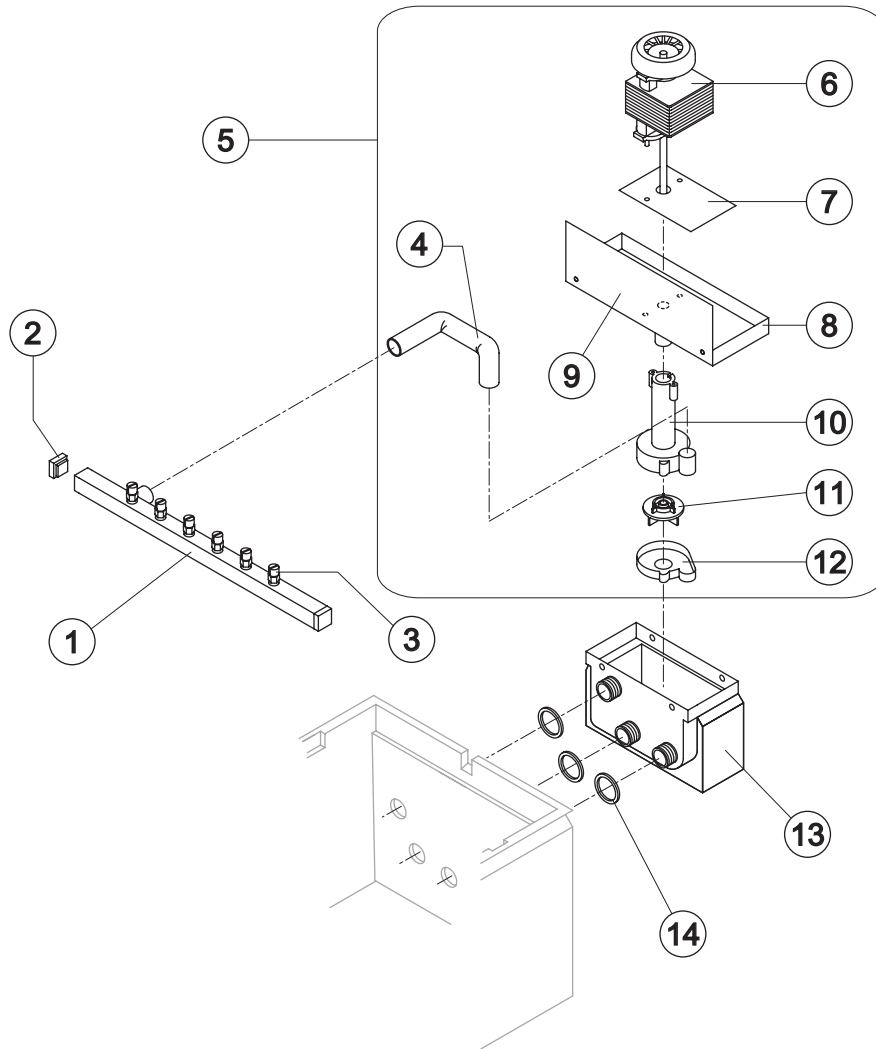
HYDRAULIC CIRCUIT



Ref.	Spare Description	Code
1*	Overflow Cap	10305
2*	Overflow Pipe	10133
3*	OR Gasket for Overflow Pipe	20233
4	Silicone Seal for Pump Basin	13069
5*	Overflow Pipe	13105
6	Water Outlet Nipple	10472
7	Silicone Gasket	13006
8	Inner Basin	10158
9	Slide Keep Plate	10009
10	Nut for Basin Connections	10159
11*	Pump Suction Filter	20005
12	Panel with Flags	Till s/n. 381652 K10533
14	Ice Cubes Slide	See Table
15	Foamed Basin	RC11121
16	Bulbe-holder Pipe	20520
17	Semirigid Polyethylene Gasket	13007
18	Bin Discharge Nut	10096
19	Discharges Manifold	10006
20	Water Discharge Pipe	13066
21	Fixing Screw	Till s/n. 381652 20009
22	Flags ABS Support	Current Version 10529
23	Rod with Flags	Current Version C10533

Ref. 14 - Ice Cubes Slide

Kind of Cube	Code
18 g. (Standard)	D12001
33 g.	-
13 g.	D12046



Ref.	Spare Description	Code
1*	Sprayers Bar Assembly	See Table
2	Sprayers Bar plug	10012
3	Sprayer	D20002
4	Pump Delivery Pipe	13068
5*	Pump Assembly	See Table
6	Pump	See Table
7	Heat Dissipator	22430
8	Pump Motor Holder	10161
9	Basin/Pump Fender Case	22763
10	Pump Body	10065
11	Pump Impeller	10066
12	Diffusor	10067
13	Insulated Pump Basin	C11048
14	Silicone Seal for Pump Basin	13069

Ref. 1* - Sprayers Bar Assembly

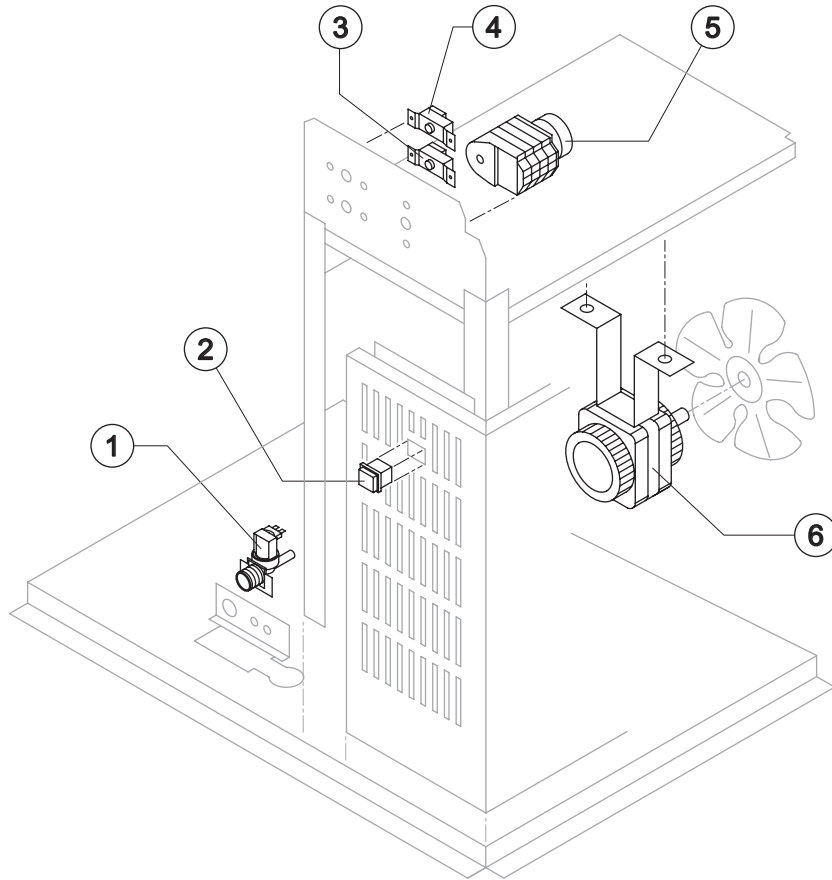
Kind of Cube	Code
18 g. (Standard)	C20572
33 g.	-
13 g.	C20570

Ref. 5* - Pump Assembly

Tension	Code
T11	C23254
T12	C23416
T13	C23417

Ref. 6 - Pump

Tension	Code
T11	23073
T12	23187
T13	23188



Ref.	Spare Description	Code
1*	1 Way- Water Inlet Valve	See Table
2*	Green Light Switch (On-Off)	23327
3*	Evaporator Thermostat	R23591
4*	Bin Thermostat	R23005
5*	Timer	See Table
6*	Fan Motor	See Table

Ref. 1* - 1 Way- Water Inlet Valve

Tension	Code
T11	23300
T12	23300
T13	23415

Ref. 5* - Timer

Tension	18g Cube	33g Cube	13g Cube
T11	23222	-	23247
T12	231078	-	231077
T13	23259	-	23258

Ref. 6* - Fan Motor

Tension	Code
T11	231041
T12	231041
T13	23683