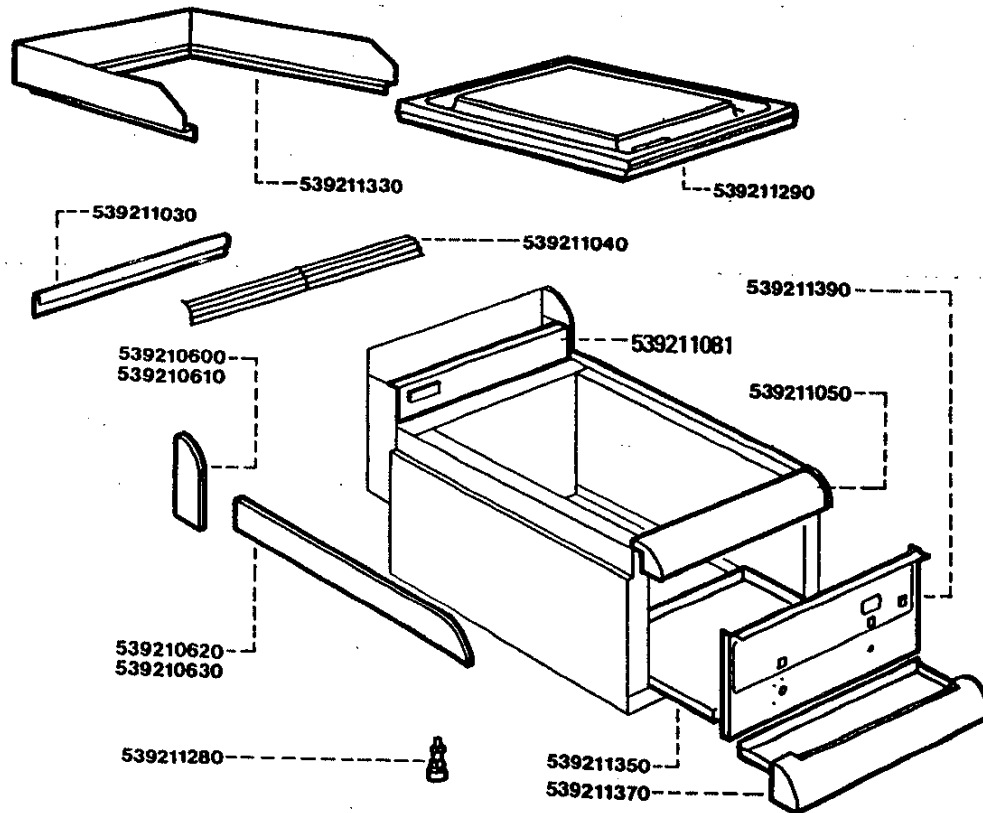
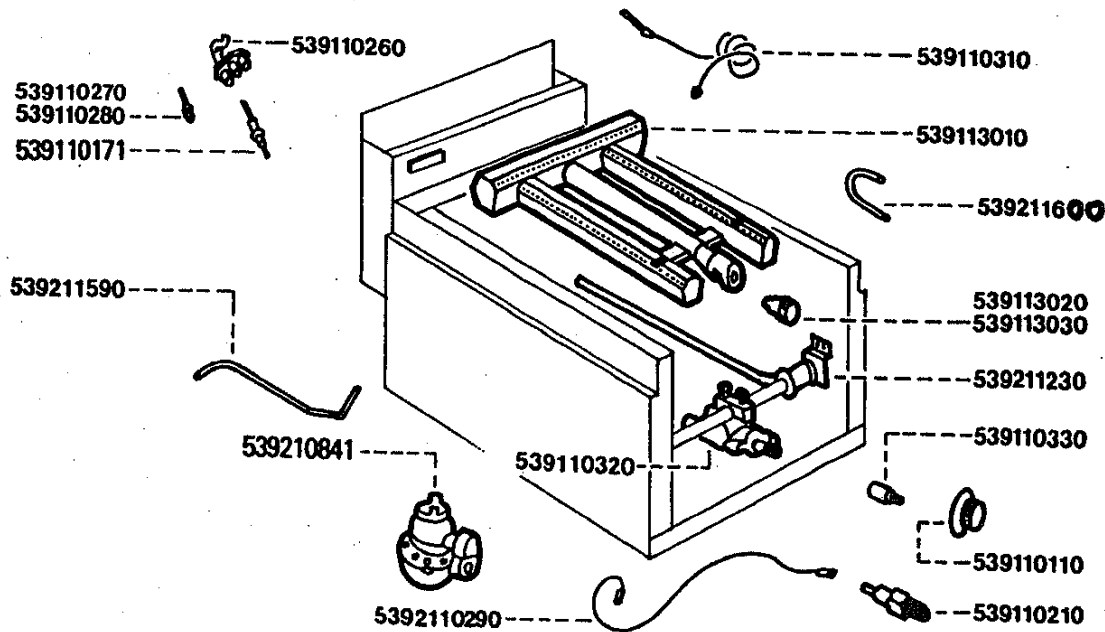


G350/7 Griddle – Fitments



Item	Part No.	Description
1	539211330	Plate Surround
2	539211290	Griddle Plate
3	539211030	Flue Trim
4	539211040	Flue Guard
5	539216330	Flue Front
6	539210600	Rear Cheek – L/H
	539210610	Rear Cheek – R/H
7	539210620	Side Cheek – L/H
	539210630	Side Cheek – R/H
8	539211350	Drip Tray
9	539216340	Fat Drawer
10	539216350	Front Panel
11	539211050	Hob Rail
12	539211280	Foot

G350/7 Griddle – Controls



Item	Part No.	Description
1	539211231	Inlet Pipe c/w Manifold
2	539110320	Control Valve
3	539216300	Control Knob
4	539110330	Spindle Adaptor
5	539113020	Burner Injector – (Natural)
	539113030	Burner Injector – (Propane)
6	539113010	Burner
7	539211600	Pipe – Control to Burner
8	539211590	Pilot Pipe
9	539110310	Thermocouple
10	539110260	Pilot Burner – (Natural)
	539110270	Pilot Burner – (Propane)
11	539110270	Pilot Injector – (Natural)
	539110280	Pilot Injector – (Propane)
12	539110210	Spark Ignitor
13	539215740	Ignition Lead
14	539110171	Spark Electrode
15	539210741	½" Governor
Not shown	539216310	Control Valve c/w Knob & Adaptor