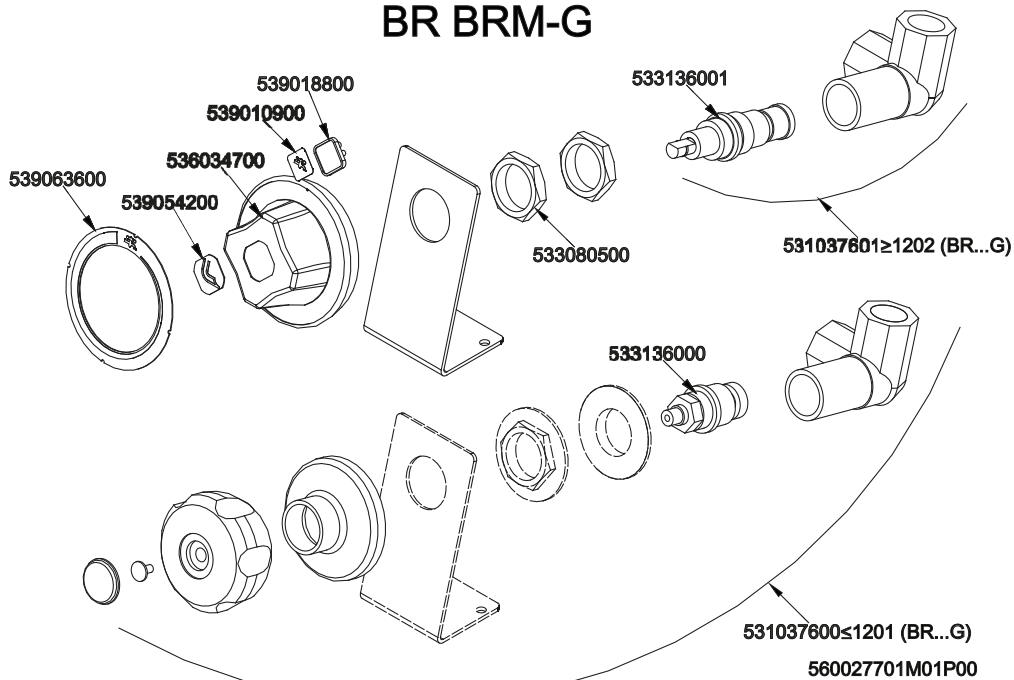


### BR BRM-G



Page	Pos	Code	Description
001		541114900	UPPER PLATE BM-98E
001		532004100	FLUE GRID L=370 90LINE (RAF
001		541008100	DRAIN FILTER TANK CP 700LINE
001		537026000	HEATING EL.ICE-FOIL 1500W 230V BM90
001		537012100	SECURITY THERMOSTAT SINGLEP.165°C
001		537036500	TERMINAL BLOCK 4POLES 40A SCREW-SCR
001		537003800	TERMINAL BLOCK 3POLES 16A
001		546005500	RUBBER TUBE §25INT.*§33EXT.XL=660
001		546005600	RUBBER TUBE §25INT.*§33EXT.XL=420
001		544407400	LEFT SIDE PANEL 70 LINE
001		541106002	PANEL CONTROL S607090 BM-78/98E
001		531018600	BALL VALVE 1"G M-F CPM-62G
001		533039900	PIPE HOLDER 1" G M D.24
001		533038200	1" G M-F ELBOW FITTING
001		536005200	INOX LEG 2" 120-180 M10
001		533087300	HEXAGONAL BICONE 1G
001		533040000	1"G F-F-F "T" FITTING
001		544407300	RIGHT SIDE PANEL 90 LINE
002		539060600	RED STICKING DISK 72 (030,090°
002		539054200	STAMP Ø20,5 CR."L" LOTUS R.
002		536034400	KNOB §77 4P. §06*4,6 C/M
002		537000400	COMMUTATOR 1POS.SINGLEPHASE S49 16A
002		539018900	INDEX FOR KNOB W/RED SIGN
002		537033600	FIXING BRACKET FOR THERMOSTAT/COMM.
002		537001200	FIXING BRACKET FOR THERMOSTAT/COMM.
002		537001500	THERMOSTAT 30-90°C SINGLEPHASE
002		537012200	THERMOSTAT 30/110°C SINGLEPHASE
002		537014200	GREEN WARNING LIGHT 250V
002		537014100	WHITE WARNING LIGHT 250V
003		533010800	TUBE NUT D.10 M16*1,5
003		533155600	PERNO PER SENSORE ACQUA
003		536039100	GUIDA PER SENSORE ACQUA
003		536039000	GUARNIZ.O-RING 12,42X1,78 SILIC.
003		536039200	DISTANZIALE PER SENSORE ACQUA
003		533039300	BICONE §10
003		533159400	RACC.UN.2 U.ELETTROV.ACQUA CP
003		533144500	FITTING FOR WATER INPUT 3/4G
003		531037500	RACCORD CA.H2O 1/2G CAN.D10
003		533144900	MALE FITTING WATER INLET M16X1,5
003		533048700	NUT 1/2G ZN
003		533048800	GASKET §30*§21*2 FIBRE
003		533147000	BICONE FITTING 3/4G ZN
003		533009500	NIPPLE FOR BICONE 10S
003		533024400	HEXAGONAL NUT 1/2G TUBE D.10
003		537062900	ELETTROV.A.3/4GM-2Ø10JG 230V RPV
003		537063800	COIL ELECTROV.G.1/2GF 230V
003		533065700	FITTING FOR WATER INPUT 1/2G
003		533148100	RACC.A GOM.90° 1/2G F.M16X1,5M. (S
003		537063000	ELETTROV.G.1/2GF-1/2GF 230V
003		539010900	ADHESIVE LABEL FOR DRAIN COCK
003		533136001	SCREW TAP WATER LOAD FOR CP S70/90

Page	Pos	Code	Description
003		539012000	ADHESIVE LABEL FOR DRAIN COCK USA
003		539018800	BLANK INDEX FOR KNOB
003		539063600	ADHESIVE DISK 72 FOR DRAIN COCK
003		539063700	ADHESIVE DISK 72 FOR DRAIN COCK USA
003		536034700	KNOB §77 4P. §08*6,5 F§30
003		539054200	STAMP Ø20,5 CR."L" LOTUS R.
003		531037601	TAP FOR WATER 90°DX CP
003		533136000	SCREW TAP WATER LOAD FOR CP S70/90
003		531037600	TAP FOR WATER LOADING 1/2"GF CP 90