

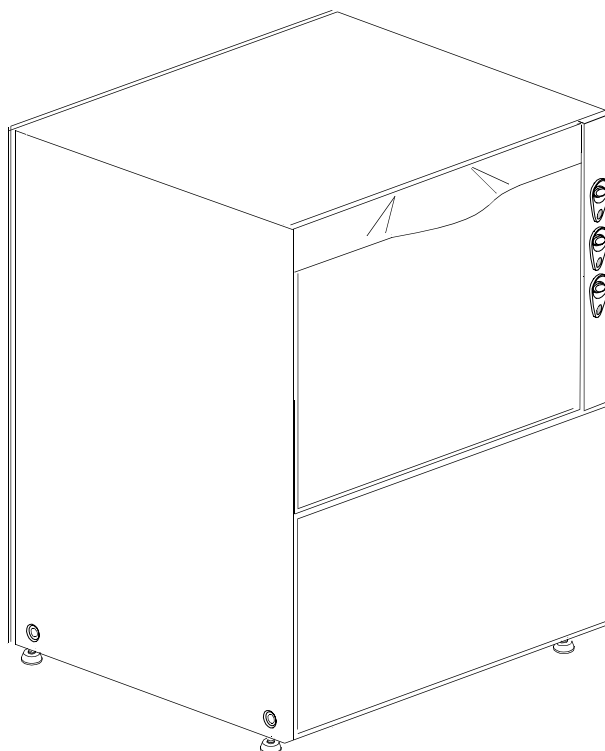
DISHWASHER

ELECTROMECHANICAL SWITCHES
LOWER AND UPPER WASHING

TYPE: 4U

Accessories
COLD RINSE
WATER SOFTNER
DETERGENT DISPENSER

Spare parts manual



1. Spare parts

General body parts.....	7
Lockup system	9
Control panel	11
Control electric components.....	13
Solenoid valve group	15
Solenoid valve group	17
Water softner group.....	19
Shining product dosing device group .	21
Shining product dosing device group .	23
4 ways derivation.....	25
Wash pump	27
Wash pump	29
Dosing device group	31
Drain pump group.....	33
Pressure switch group with air trap ...	35
Turret group with rotating arms	37

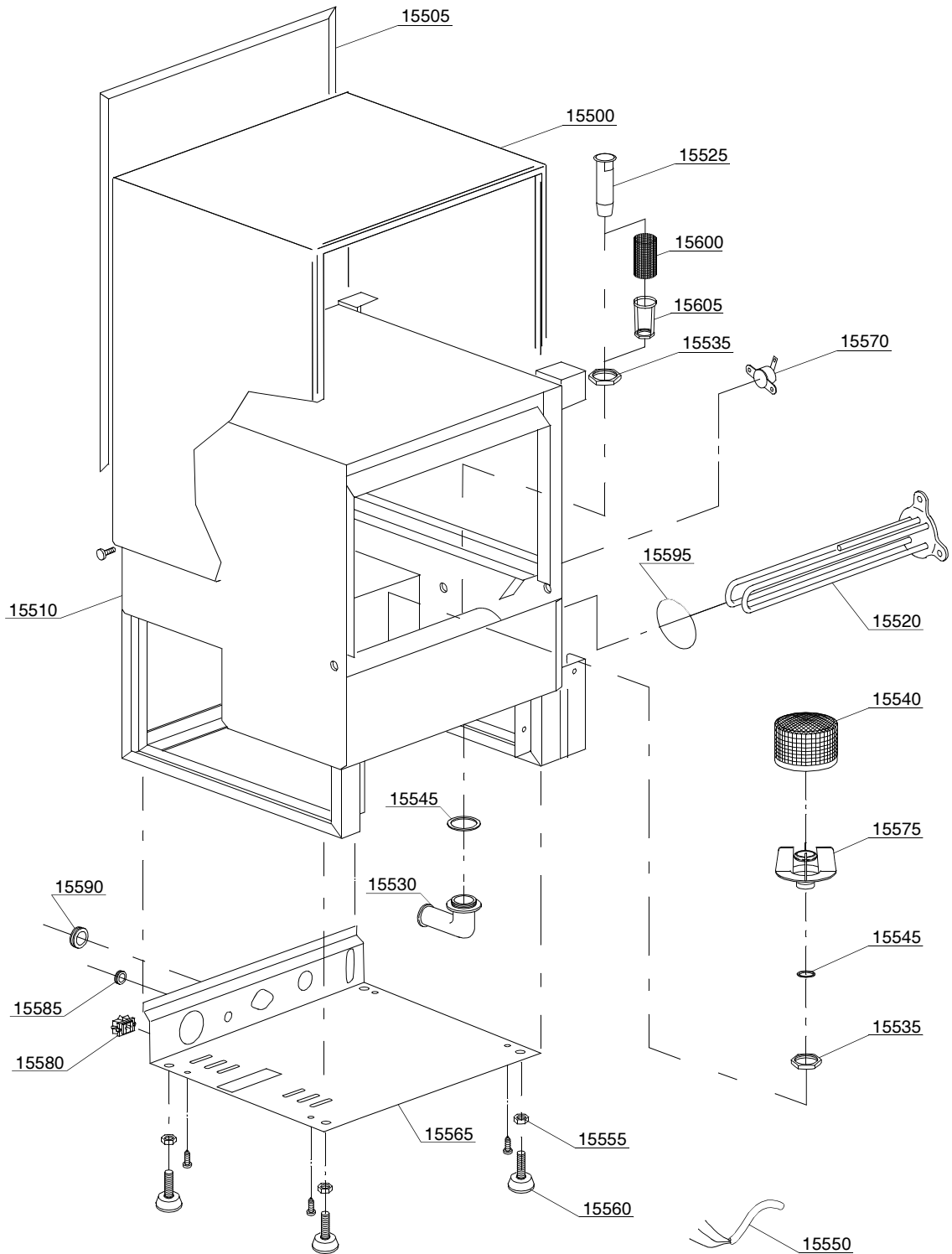
Turret group with rotating arms39

1.1 Voltage codes

Voltage code	Voltage
A	3/N/PE~400/230V 50Hz
B	~250V 16A 50Hz
C	3/N/PE~380/220V 50Hz
D	3/PE~200V 50-60Hz
F	2/PE 220-240V 50Hz
G	3/N/PE~415/240V 50Hz
H	3/PE~230V 50Hz
I	3/PE~220V 60Hz
J	3/PE~380 50Hz
K	3/PE~400V 50Hz
L	3/PE~415V 50Hz
M	3/PE~440V 60Hz
N	3/PE~460V 60Hz
O	3/PE~480V 60Hz
P	1/N/PE~220-240V 50Hz
R	2/PE~220-230V 60Hz
S	3/N/PE~400/230V 50Hz
T	3/PE~230V 60Hz

1.2 Product codes

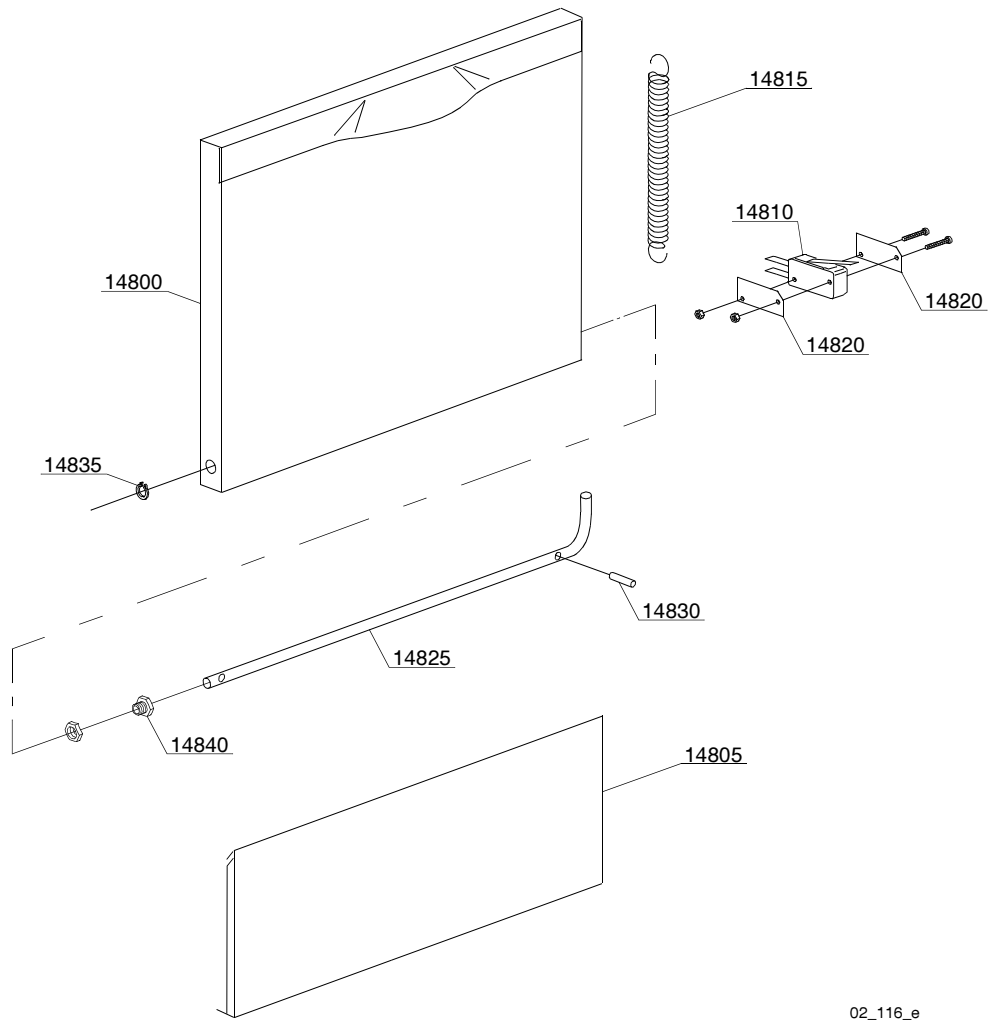
Product code	Full name
Model codes	
em	ELECTROMECHANICAL SWITCHES
ls	LOWER AND UPPER WASHING
Type codes	
4U	4U
Accessory codes	
bt	BREAK TANK
pap	BOOSTER PUMP
dvgw	DVGW
fs	COLD RINSE
d	WATER SOFTNER
dde	DETERGENT DISPENSER
ps	DRAIN PUMP



01_018_e

Spare parts

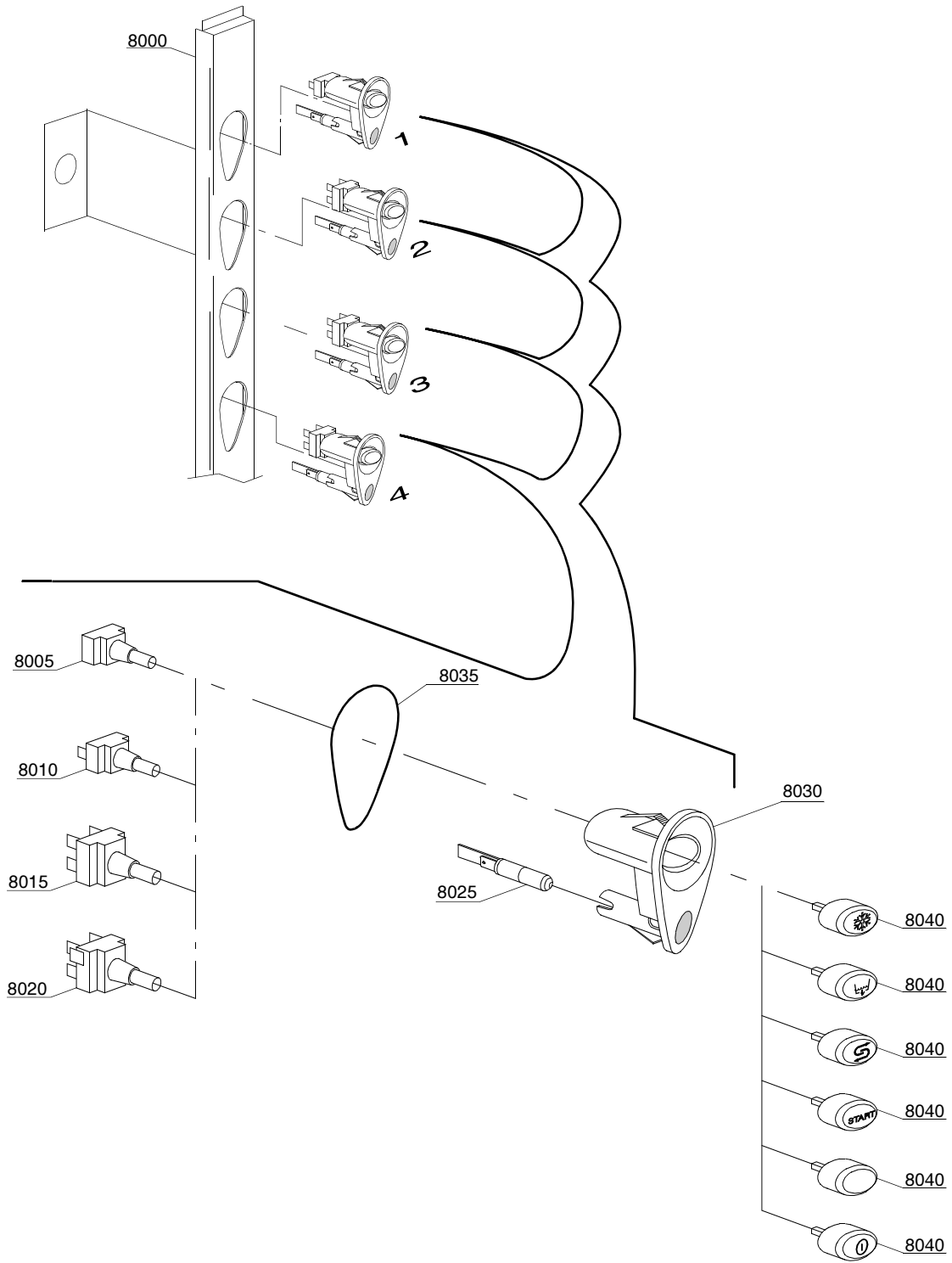
ID	P-code	Model	Type	Accessory	Voltage	Description
MODULE:General body parts						
15500	18201		4U			Cover
15505	18202		4U			Back panel
15505	18204		4U			Back panel
15510	18950		4U			Body
15520	18206		4U			2,4KW heating element
15525	10725		4U			Overflow pipe
15530	10701		4U			Drain elbow
15535	11701/A		4U			Stainless steel nut
15540	540002		4U			Filter for top body
15545	13305		4U			44x32x3 drain elbow gasket
15550	10713		4U			3x2,5x2500 cable
15555	11711		4U			M10 zinc plated nut
15560	10786		4U			M10x25 O40 black foot
15565	18209		4U			Bottom protection
15565	18210		4U			Bottom protection
15570	15550		4U			Safety thermostat
15575	540000		4U			Top filter body
15580	15065/A		4U			Cable-fastener with screw
15585	13323		4U			O13mm fairlead
15590	13317		4U			O40mm fairlead
15595	13010		4U			OR gasket
15600	440751		4U	dp		Drain pump stainless steel filter
15605	11701/B		4U	dp		Stainless steel nut



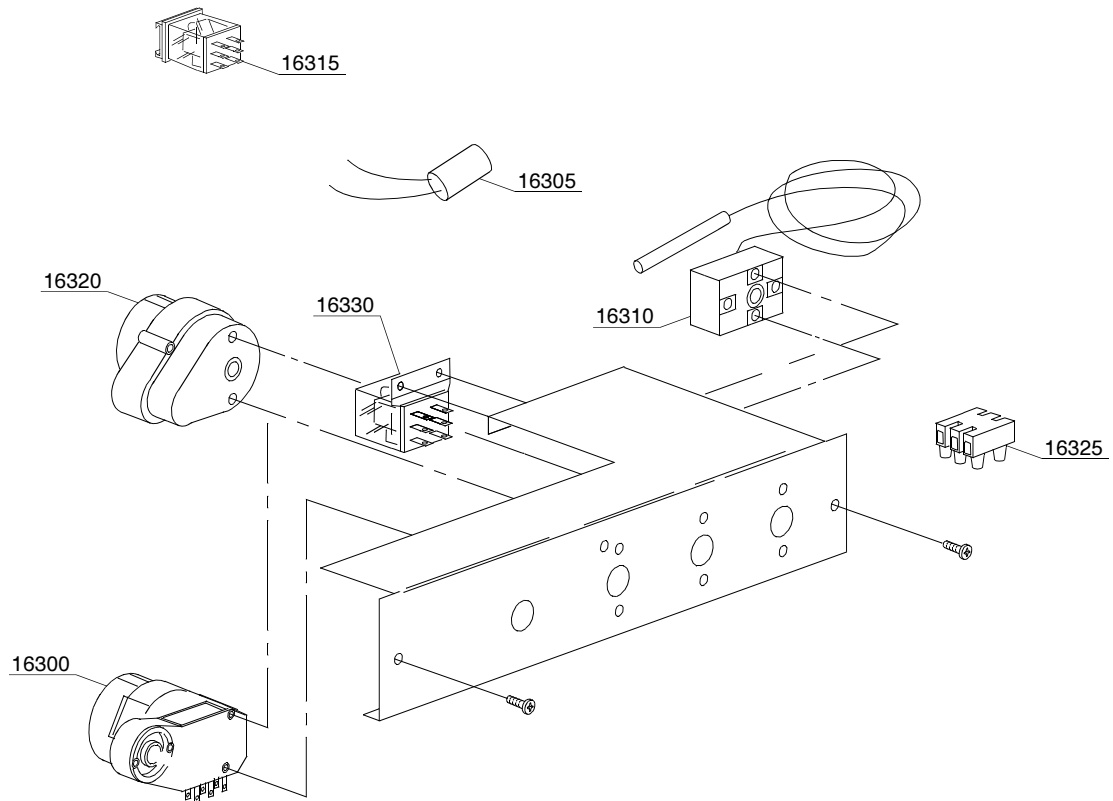
02_116_e

Spare parts

ID	P-code	Model	Type	Accessory	Voltage	Description
MODULE:Lockup system						
14800	18960		4U			Door with stainless steel handle
14805	18203		4U			Lower door
14810	10704		4U			Door microswitch
14815	10700/B		4U			Door spring
14820	10770		4U			Insulating for door microswitch
14825	18136		4U			Rod door
14830	11170		4U			M5x25 grub-screw
14835	11815		4U			O8 stainless steel snap ring
14840	11835		4U			Brass bush with nut



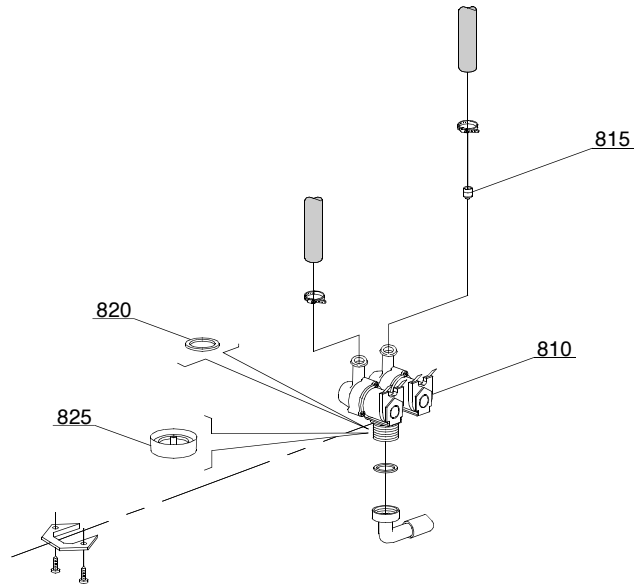
03_015_e



04_016_e

Spare parts

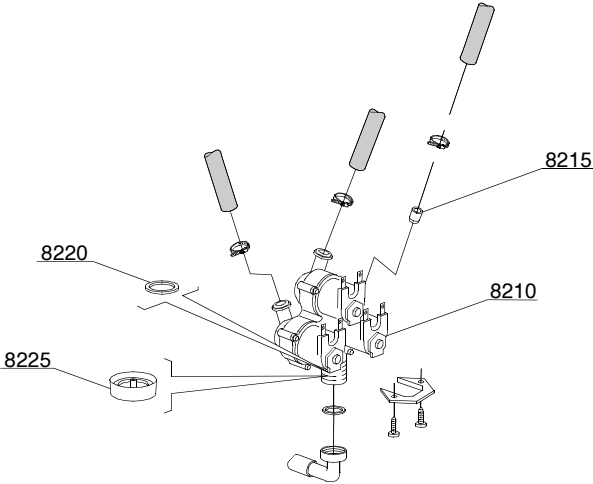
ID	P-code	Model	Type	Accessory	Voltage	Description
MODULE:Control electric components						
16300	10708/L		4U		A	"120"" timer - 230Vac 50Hz"
16300	10708/B		4U			"120"" timer - 220Vac 60Hz"
16305	15146		4U			Low noise filter
16310	10707/1		4U			0-90°C thermostat
16315	16047		4U	ws		16A bipolar relay
16320	16064/A		4U	ws		Regeneration timer
16325	15065		4U			Terminal board
16330	15620		4U	dp		16A bipolar relay



05_003_e

Spare parts

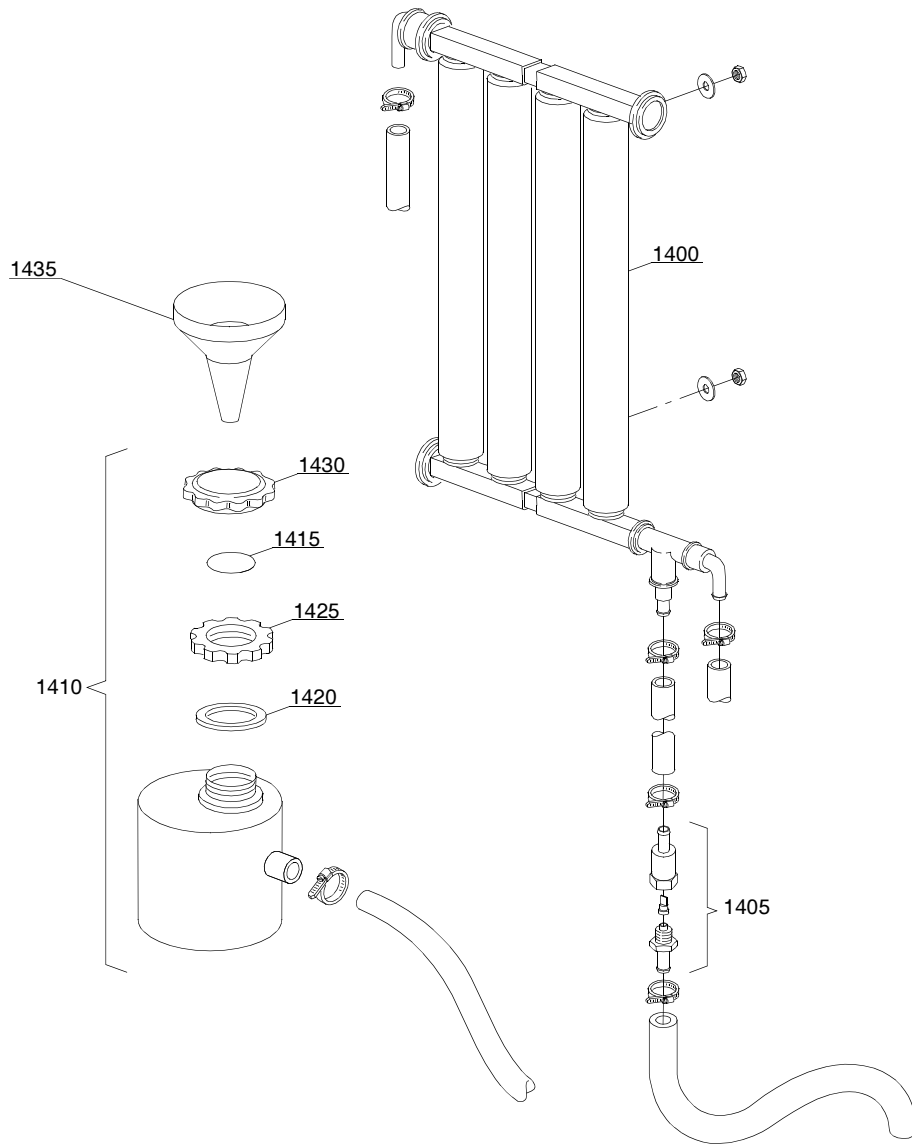
ID	P-code	Model	Type	Accessory	Voltage	Description
MODULE:Solenoid valve group						
810	15098		4U	cr,ws		Double solenoid valve - O10
815	15115		4U	cr,ws		Green pression solenoid valve
820	N.C.		4U	cr,ws		Pression reducing valve



05_004_e

ID	P-code	Model	Type	Accessory	Voltage	Description
MODULE:Solenoid valve group						
8210	15099		4U	cr,ws		Triple solenoid valve
8215	15115		4U	cr,ws		Green pression solenoid valve

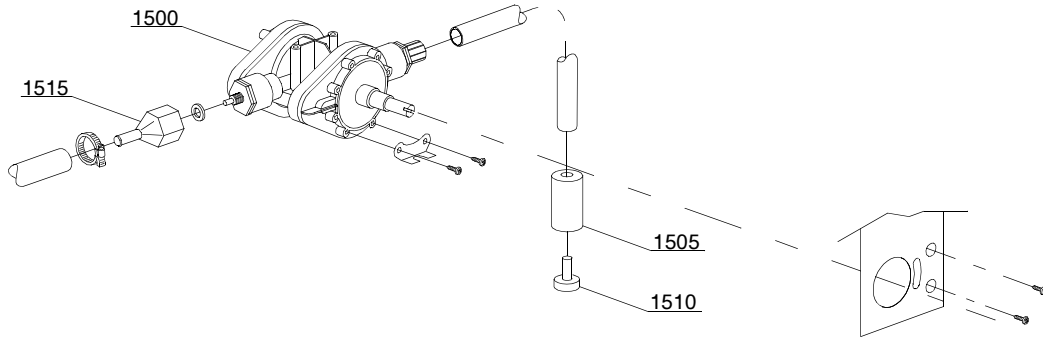
09_001_e



Spare parts

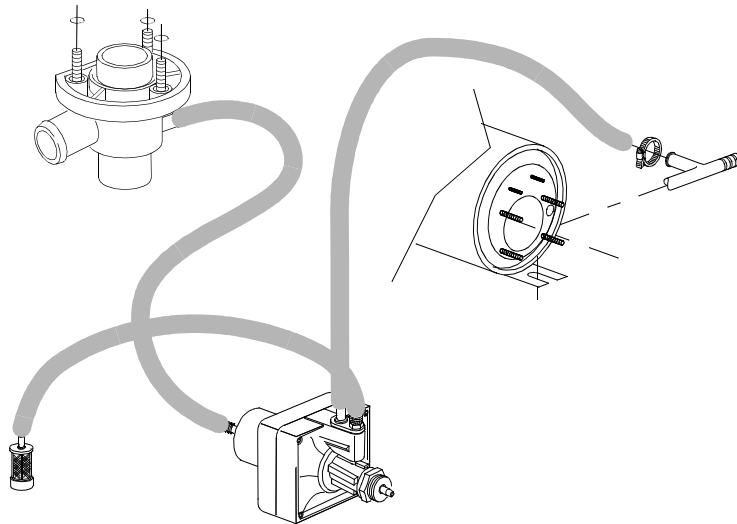
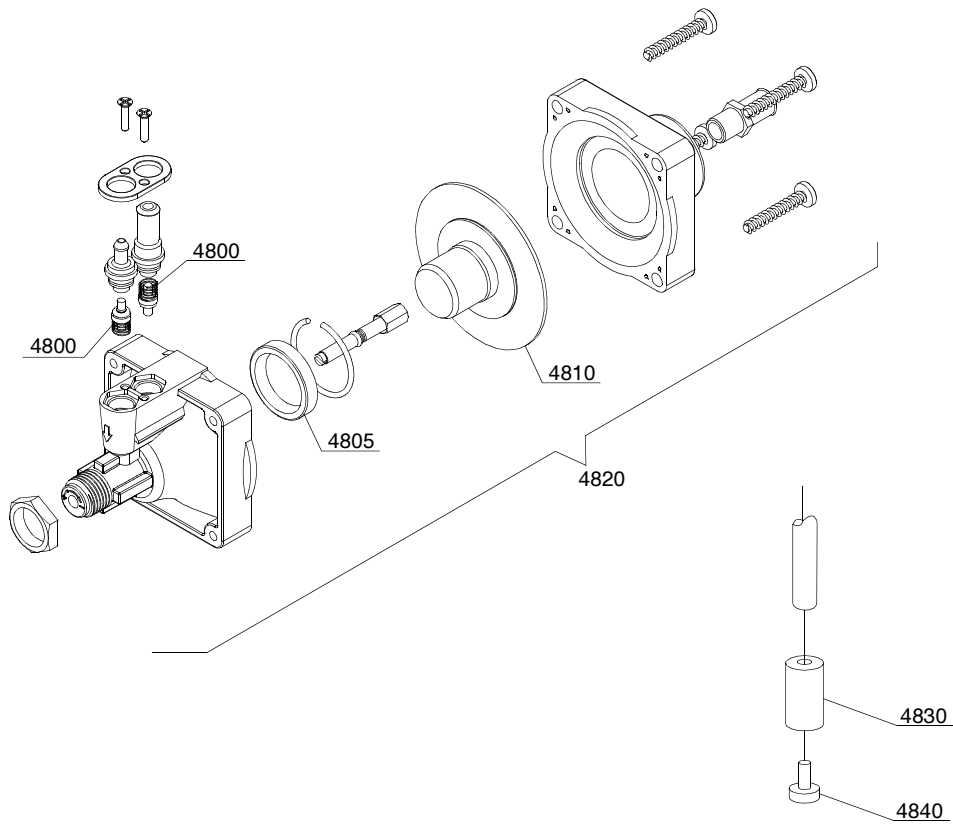
ID	P-code	Model	Type	Accessory	Voltage	Description
MODULE:Water softner group						
1400	16066		4U	ws		4 elements water softner
1405	16070		4U	ws		Nonreturn valve
1410	16065		4U	ws		Salt container
1415	16067/A		4U	ws		OR gasket
1420	16067/B		4U	ws		Gasket
1425	16067/C		4U	ws		Ring nut
1430	16067/D		4U	ws		Plug
1435	16082		4U	ws		Funnel

10_002_e



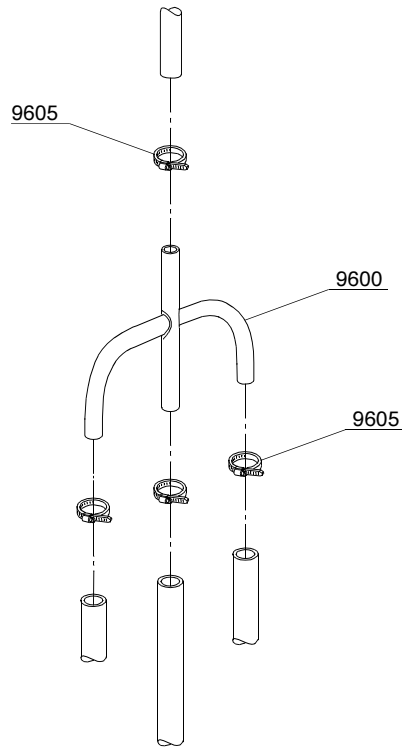
Spare parts

ID	P-code	Model	Type	Accessory	Voltage	Description
MODULE:Shining product dosing device group						
1500	10798		4U			Shining product dosing device
1505	12525		4U			Counter-weight
1510	15058		4U			Small filter
1515	10798/B		4U			Brass pipe fitting



10_004_e

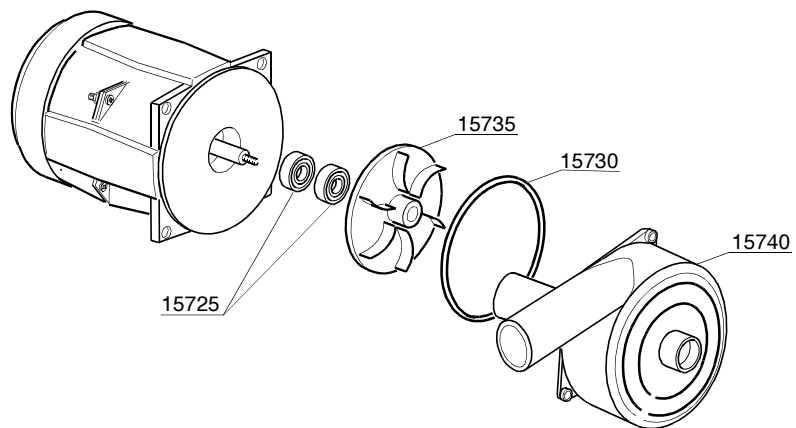
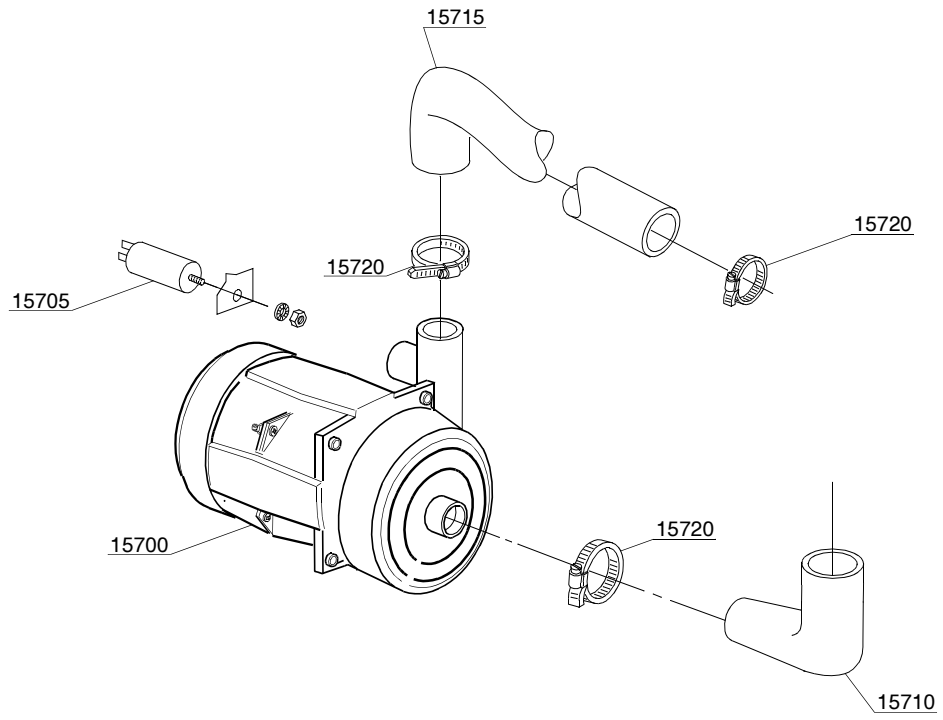
ID	P-code	Model	Type	Accessory	Voltage	Description
MODULE:Shining product dosing device group						
4800	10805		4U			Tecno pro dosing valve
4805	10806		4U			O22 gasket
4810	10807		4U			Membrane
4820	10799		4U			Shining product dosing device
4830	12525		4U			Counter-weight
4840	15058		4U			Small filter



12_004_e

Spare parts

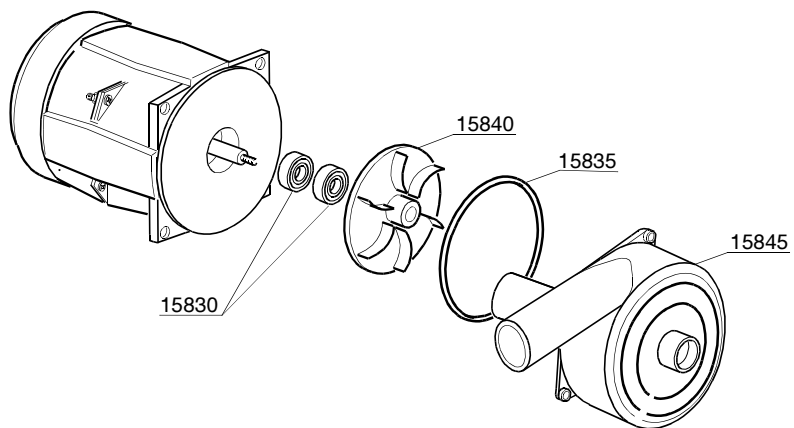
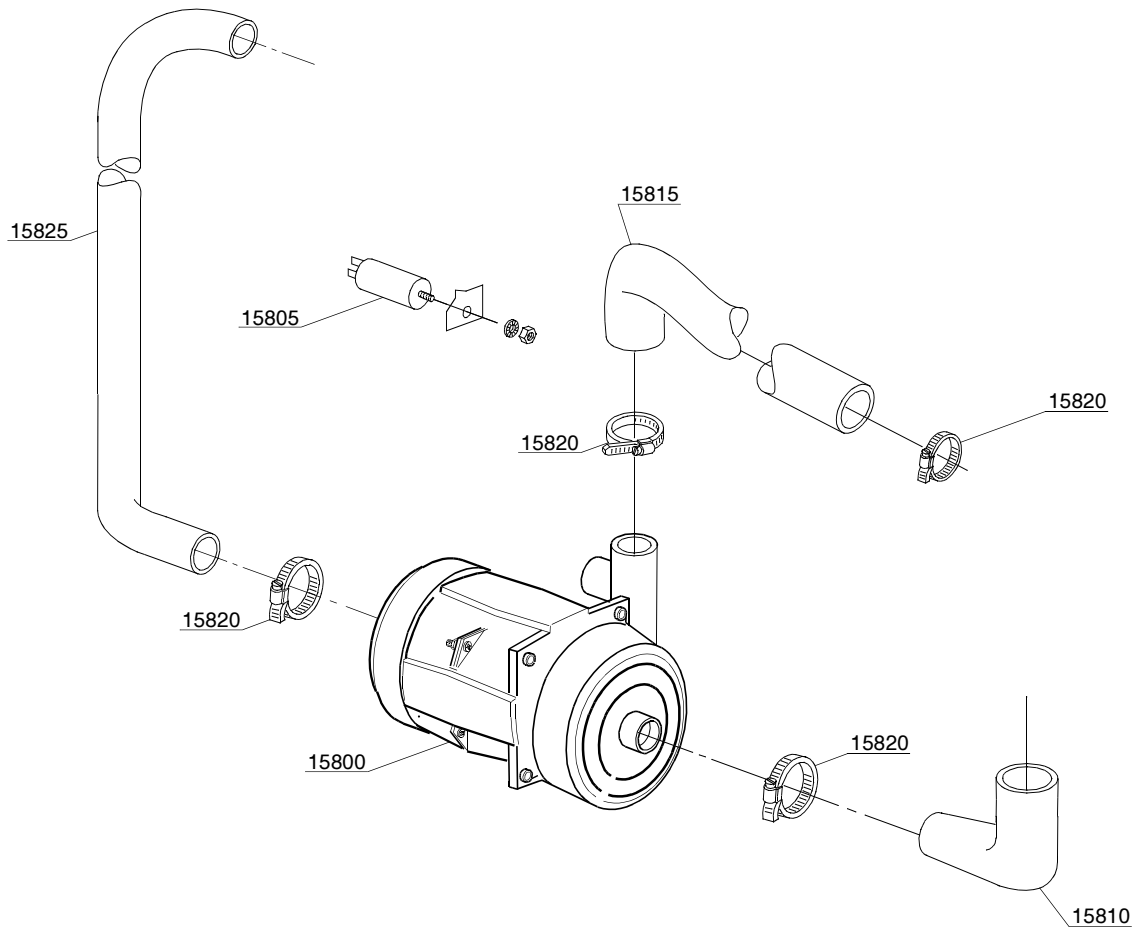
ID	P-code	Model	Type	Accessory	Voltage	Description
MODULE:4 ways derivation						
9600	15151		4U			O10 mm 4 ways derivation
9605	11807		4U			12/22 clamp



13_006_e

Spare parts

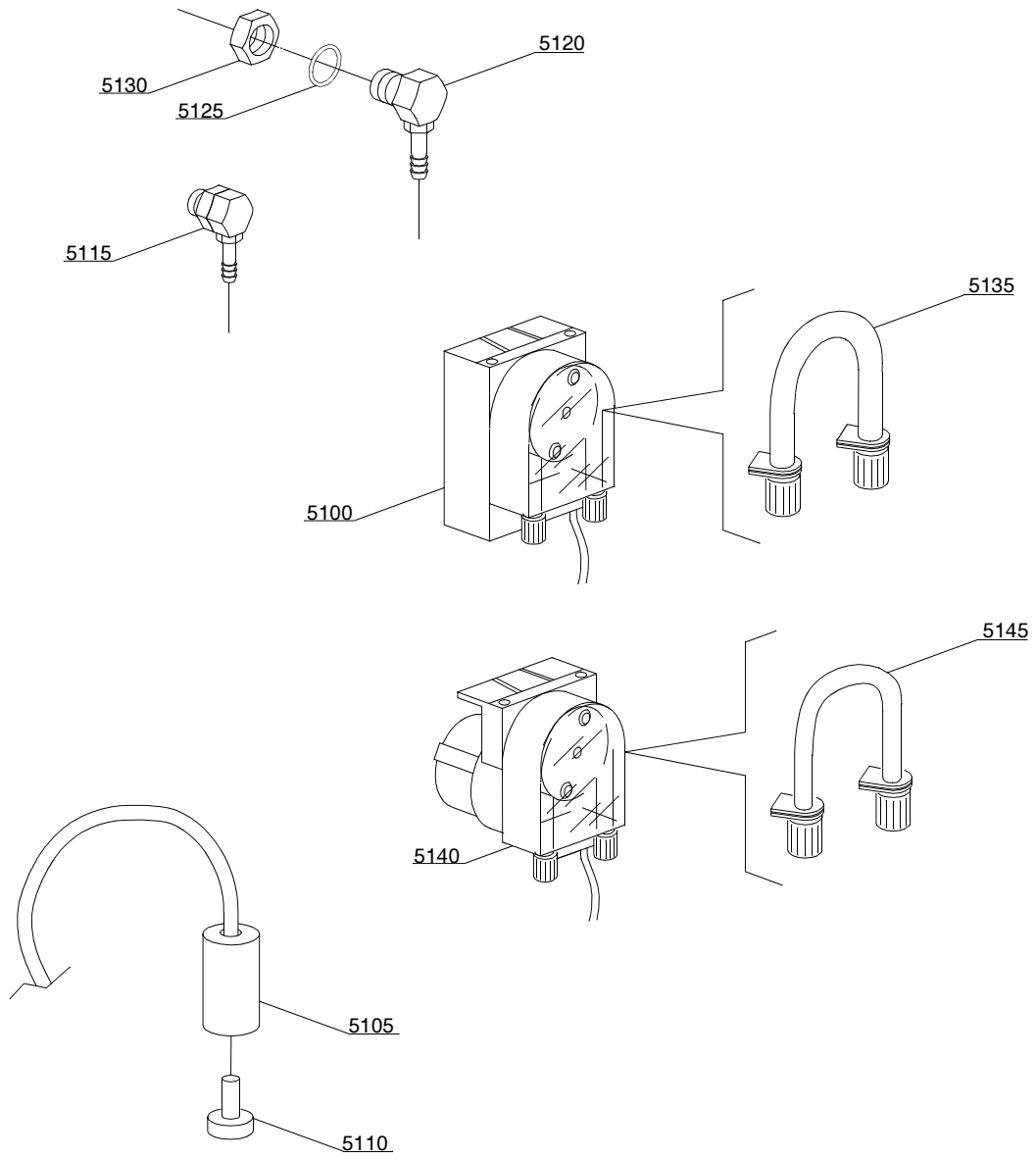
ID	P-code	Model	Type	Accessory	Voltage	Description
MODULE:Wash pump						
15700	18243		4U			0,33Hp wash pump
15700	18243/A		4U			0,33Hp wash pump - 220VAc 60Hz
15705	18043		4U			10 uF condenser
15710	18787		4U			Suction pipe coupling
15715	18788		4U			Delivery side pipe coupling
15720	11806		4U			25/40 clamp
15725	15080		4U			Rotating seals
15730	18245		4U			OR gasket
15735	18246		4U			Pump rotor
15740	18247		4U			Scroll
15740	18248		4U			Scroll



13_112_e

Spare parts

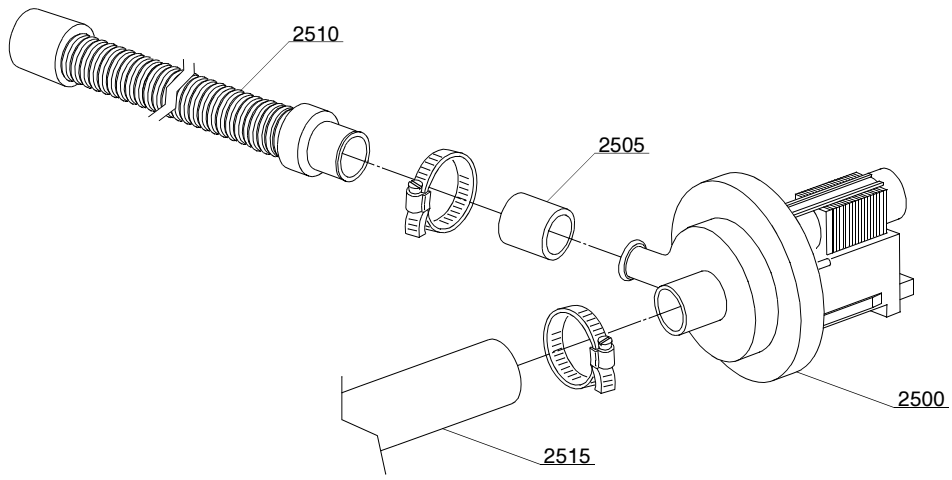
ID	P-code	Model	Type	Accessory	Voltage	Description
MODULE:Wash pump						
15800	18242		4U			0,30Hp wash pump
15800	18242/D		4U			0,30Hp wash pump - 220Vac 60Hz
15805	18043		4U			10 uF condenser
15810	18787		4U			Suction pipe coupling
15815	18788		4U			Delivery side pipe coupling
15820	11806		4U			25/40 clamp
15825	18044		4U			O28 top wash pipe
15830	15080		4U			Rotating seals
15835	18245		4U			OR gasket
15840	18246		4U			Pump rotor
15845	18247		4U			Scroll



14_004_e

Spare parts

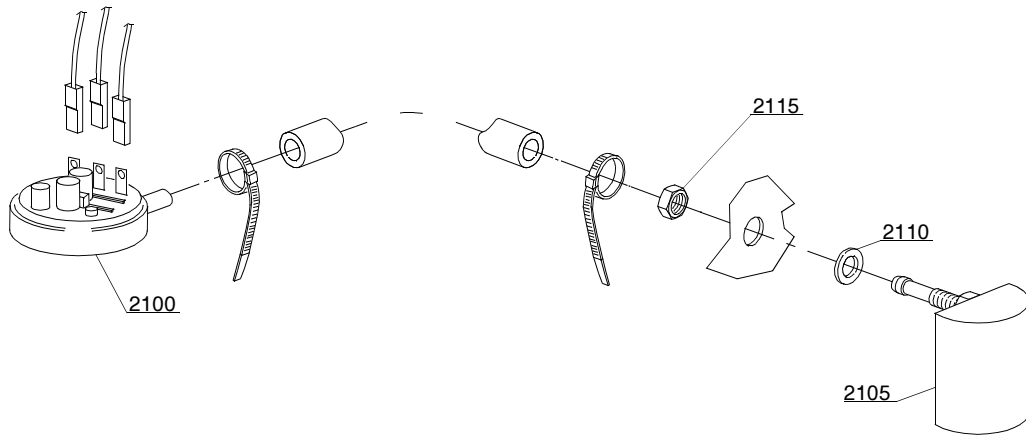
ID	P-code	Model	Type	Accessory	Voltage	Description
MODULE:Dosing device group						
5100	15985		4U	dd		Seko dosing device
5105	12525		4U	dd		Counter-weight
5110	15058		4U	dd		Small filter
5115	15123		4U	dd		Complet plastic injector
5120	15148		4U	dd		Steel injector
5125	15159		4U	dd		OR gasket
5130	10200205		4U	dd		M12x1 stainless steel nut
5135	15185		4U	dd		Seko thermoplastic pipe
5140	15985		4U	dd		Germac dosing device
5145	15108/E		4U	dd		Germac thermoplastic pipe



15_004_e

Spare parts

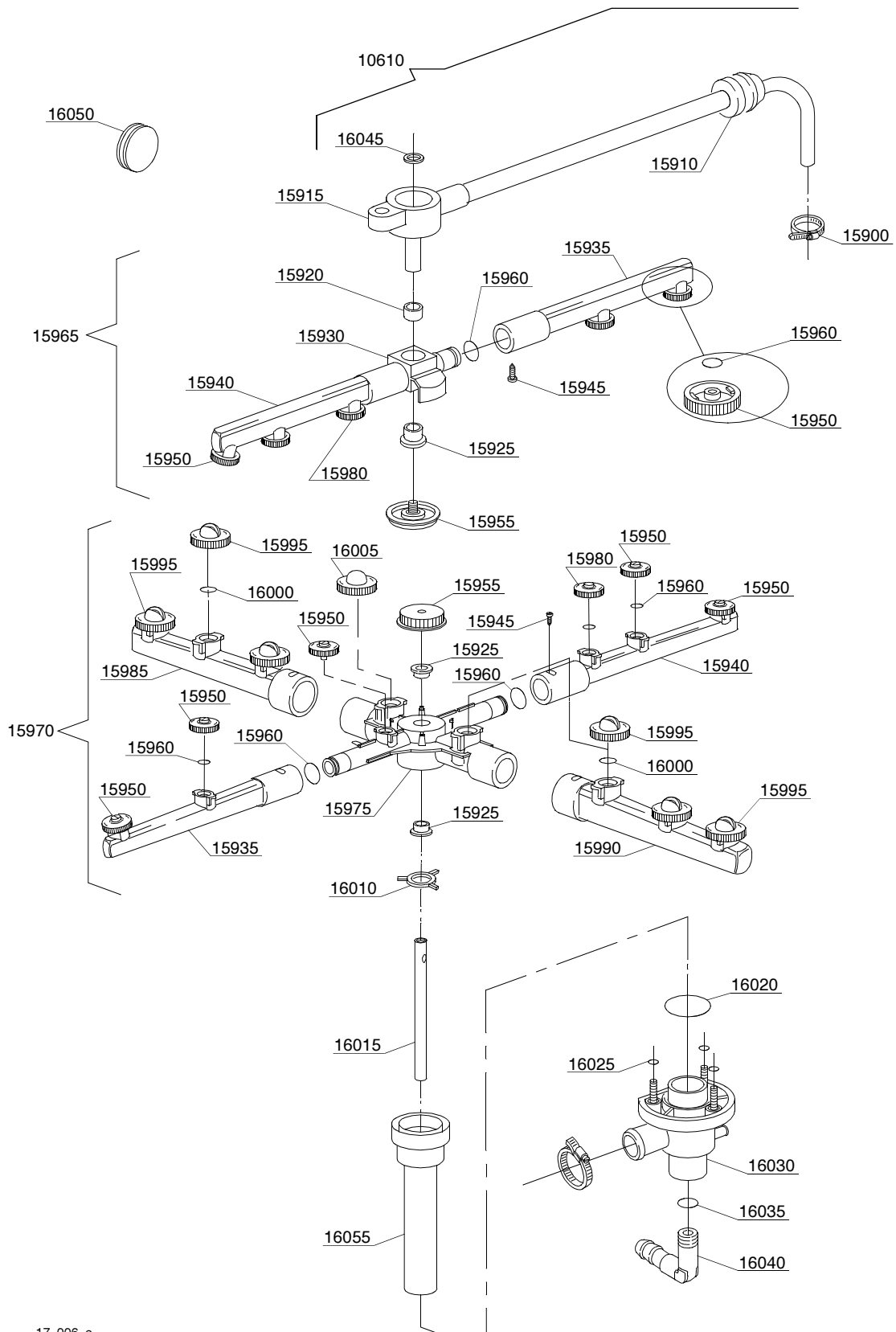
ID	P-code	Model	Type	Accessory	Voltage	Description
MODULE:Drain pump group						
2500	15101		4U	dp		Drain pump
2505	15101/D		4U	dp		Pipe fitting
2510	10727		4U	dp		Drain pipe
2515	10718		4U	dp		Drain coude/pump connection pipe



16_001_e

Spare parts

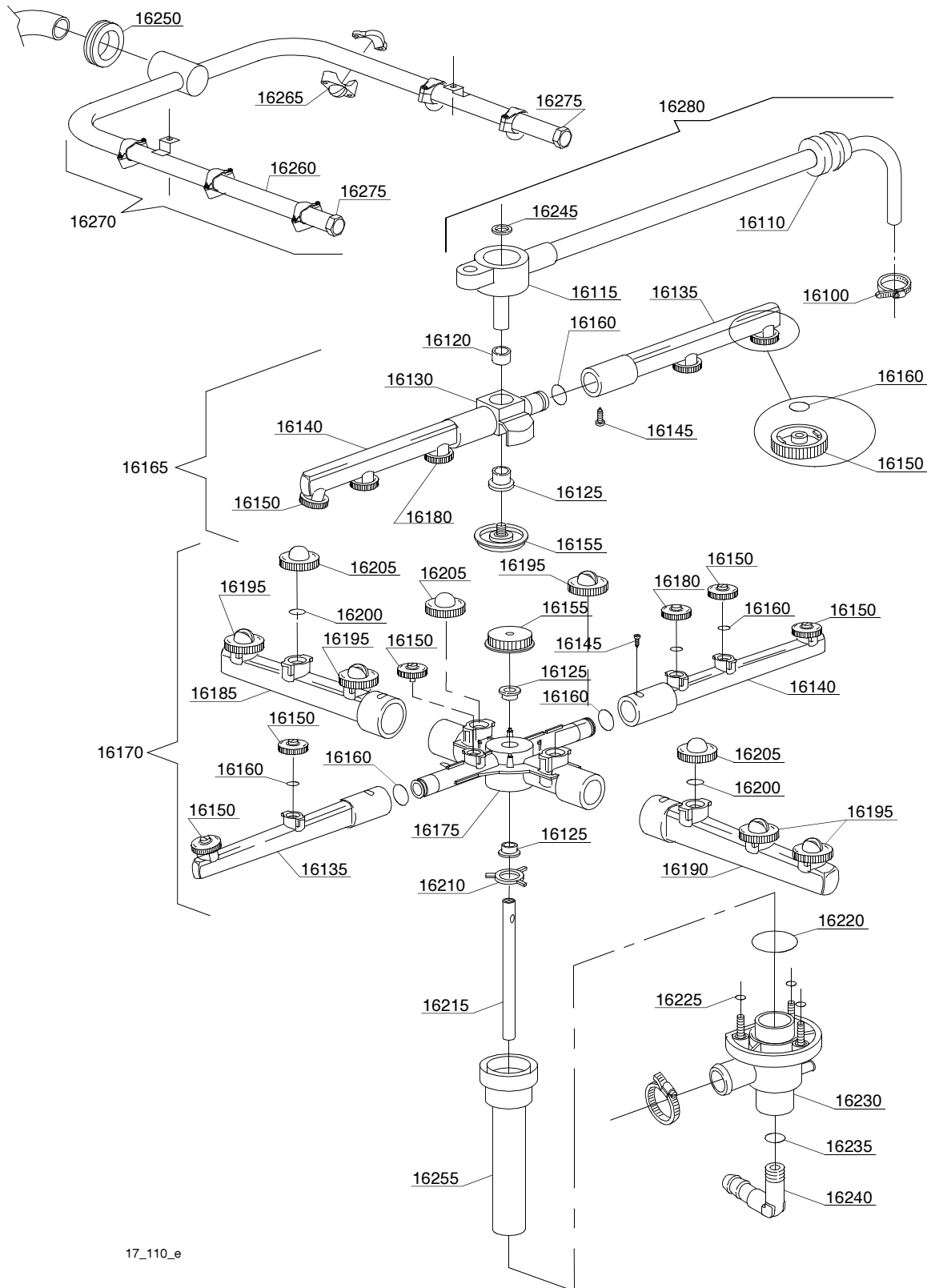
ID	P-code	Model	Type	Accessory	Voltage	Description
MODULE:Pressure switch group with air trap						
2100	10706/A		4U			47-27 pressure switch
2105	10911		4U			Air trap assembly
2110	13301		4U			Gasket
2115	11702		4U			M8 stainless steel nut



17 006 a

Spare parts

ID	P-code	Model	Type	Accessory	Voltage	Description
MODULE:Turret group with rotating arms						
15900	11807		4U			12/22 clamp
15910	13304		4U			Pipe-pass gasket
15915	10909		4U			Top rinse turret
15920	13320		4U			Sliding washer
15925	13319		4U			Sliding washer
15930	10359		4U			Rinse rotor
15935	10360		4U			Right rinse pipe
15940	10361		4U			Left rinse pipe
15945	11004		4U			4x10 TCB O8 spax toothed screw
15950	12537		4U			Opened head rinse nozzle
15955	10365		4U			Handle with insert
15960	13002		4U			OR R6 NBR gasket
15965	10996		4U			Top rinse group
15970	10998		4U			Lower wash/rinse group
15975	10364		4U			Wash rotor
15980	12538		4U			Closed head rinse nozzle
15985	10355		4U			Right wash pipe
15990	10356		4U			Left wash pipe
15995	10357		4U			Opened head wash nozzle
16000	13009		4U			OR 2050 NBR gasket
16005	10358		4U			Closed head wash nozzle
16010	10203		4U			Guide pipe
16015	18510		4U			Rinse axle
16020	13000		4U			OR 3125 NBR gasket
16025	13001		4U			OR 104 NBR gasket
16030	10205/A		4U			Lower wash turret with hole
16035	13003		4U			OR 112 NBR gasket
16040	12030		4U			3/8M O12 elbow pipe fitting
16045	11610		4U			Copper washer
16050	13316		4U			43x10 blind gasket
16055	18250/A		4U			Bell-shape assembly with pipe coupling
16060	10993		4U			Top rinse turret group



Spare parts

ID	P-code	Model	Type	Accessory	Voltage	Description
MODULE:Turret group with rotating arms						
16100	11807		4U			12/22 clamp
16110	13304		4U			Pipe-pass gasket
16115	10909		4U			Top rinse turret
16120	13320		4U			Sliding washer
16125	13319		4U			Sliding washer
16130	10359		4U			Rinse rotor
16135	10360		4U			Right rinse pipe
16140	10361		4U			Left rinse pipe
16145	11004		4U			4x10 TCB O8 spax toothed screw
16150	12537		4U			Opened head rinse nozzle
16155	10365		4U			Handle with insert
16160	13002		4U			OR R6 NBR gasket
16165	10996		4U			Top rinse group
16170	18995		4U			Lower wash/rinse group
16175	10364		4U			Wash rotor
16180	12538		4U			Closed head rinse nozzle
16185	10355		4U			Right wash pipe
16190	10356		4U			Left wash pipe
16195	10366		4U			1,9 opened head wash nozzle
16200	13009		4U			OR 2050 NBR gasket
16205	10358		4U			Closed head wash nozzle
16210	10203		4U			Guide pipe
16215	18510		4U			Rinse axle
16220	13000		4U			OR 3125 NBR gasket
16225	13001		4U			OR 104 NBR gasket
16230	10205/A		4U			Lower wash turret with hole
16235	13003		4U			OR 112 NBR gasket
16240	12030		4U			3/8M O12 elbow pipe fitting
16245	11610		4U			Copper washer
16250	13306/A		4U			Top wash ramp gasket
16255	18250/A		4U			Bell-shape assembly with pipe coupling
16260	18134		4U			Top wash pipe
16265	18135		4U			Wash nozzle
16265	10221		4U			Wash nozzle
16270	18903		4U			Top wash group
16275	12503		4U			Plug
16280	10993		4U			Top rinse turret group