

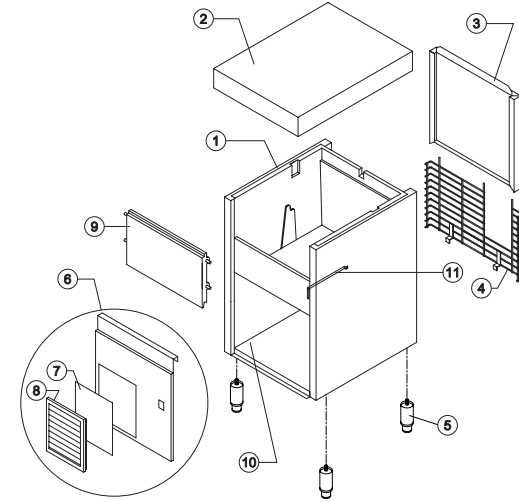


IF 55

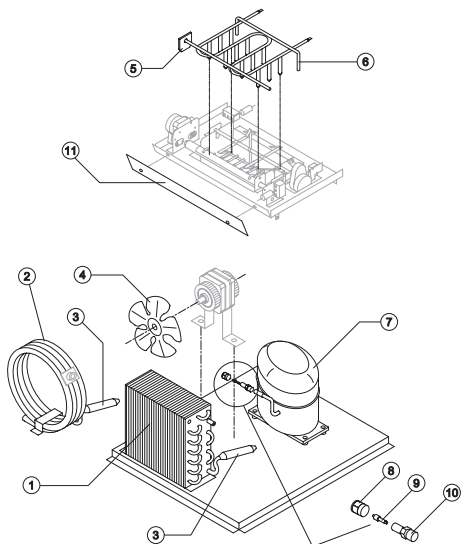
LIST OF THE EXPLODED VIEWS



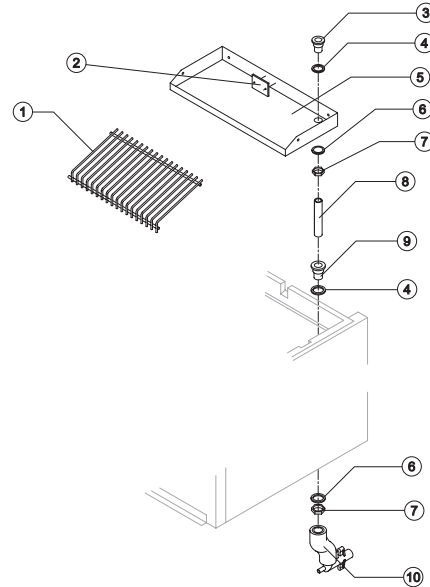
SHELL ASSY



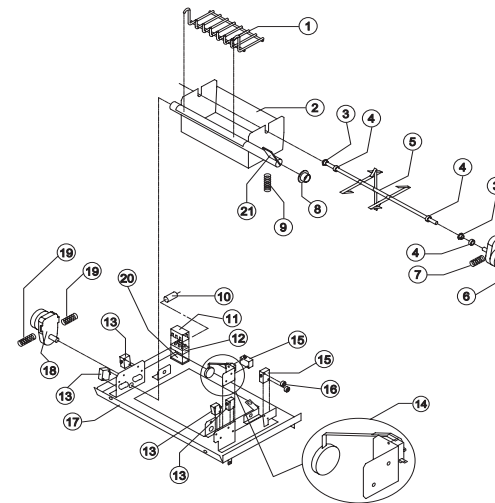
COOLING SYSTEM



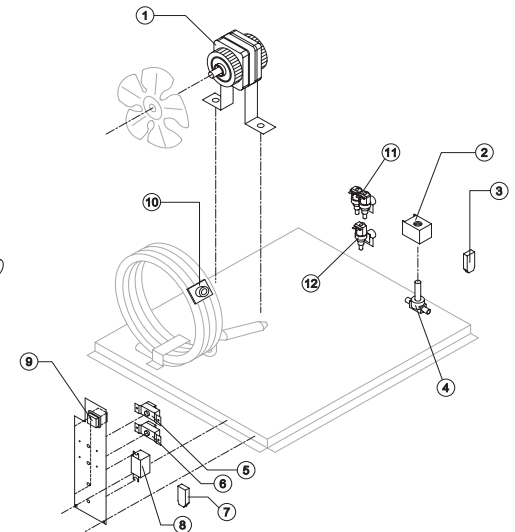
HYDRAULIC CIRCUIT



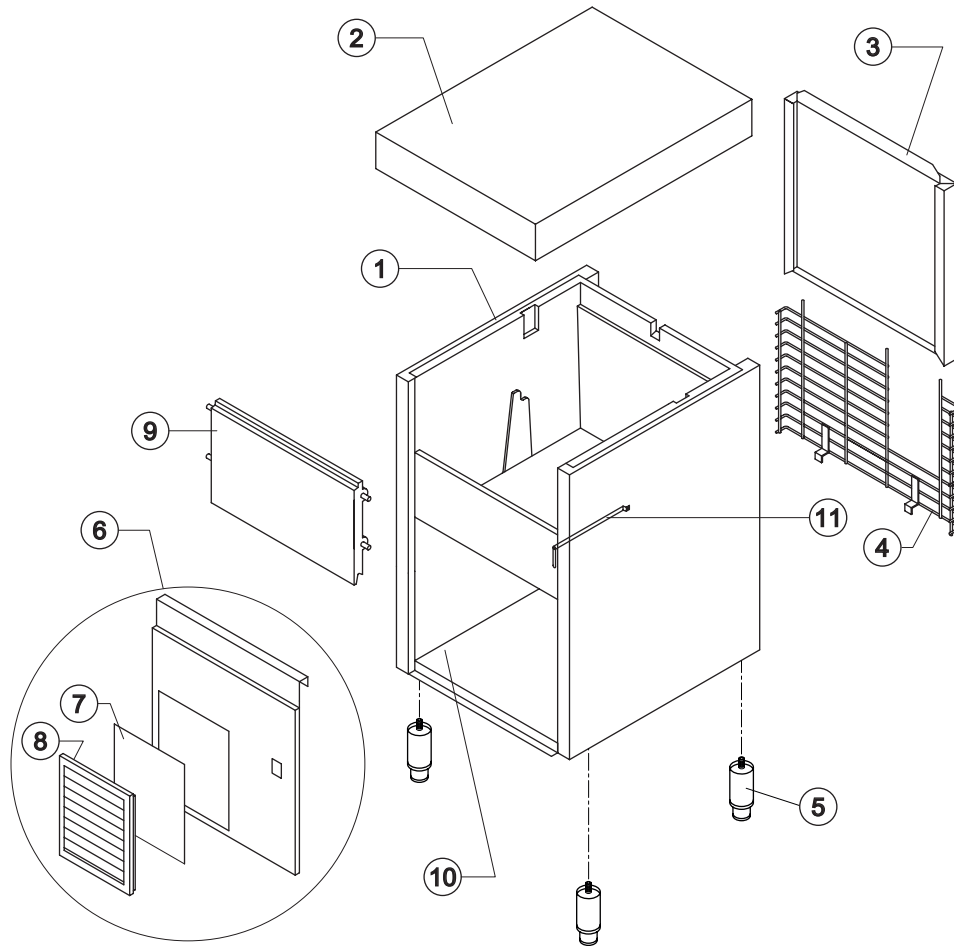
EVAPORATOR SUPPORT



ELECTRIC PARTS



Rev. 4 - 20/10/2003



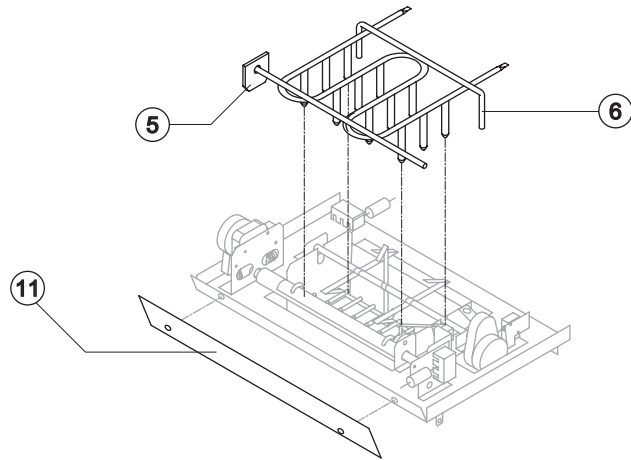
Ref.	Spare Description	Code
1	Foamed Cabinet Assy	C11039/E
2	Top Assembly	C22262
3	Back Panel Assembly	C26419
4	Rear Grid	D12006
5	Stainless Steel Foot Adjustable	Current Version 20613
5	ABS Foot	Till s/n. 141256 10040
6	Front Grid Panel	Current Version C22508
6	Front Panel	Till s/n. 31236 22069
7	Filtering Panel	18106
8	Frame with Grid & Filter	C10205
9	Door Assy	C10297
10	Base Plate	Current Version 21279
10	Base Plate	Till s/n. 141256 21013
11	Bulbe Thermostat Tube	20522

Rev. 4 - 20/10/2003



IF 55

COOLING SYSTEM



Common Parts

Ref.	Spare Description	Code
3	Molecular Drier	14009
5	Upright	22253
6	Evaporator	D14206
7	Compressor	See Table
8	Vacuum-Charge Valve Plug	14006
9	Vacuum-Charge Valve Device	14005
10	Vacuum-Charge Valve Body	14007
11	Protection Plate	10433

Parts for Air-Cooled Version Only

Ref.	Spare Description	Code
1	Air Condenser	20019
4	Suction Impeller	See Table

Parts for Water-Cooled Version Only

Ref.	Spare Description	Code
2	Water Condenser	14014
4	Suction Impeller	10213

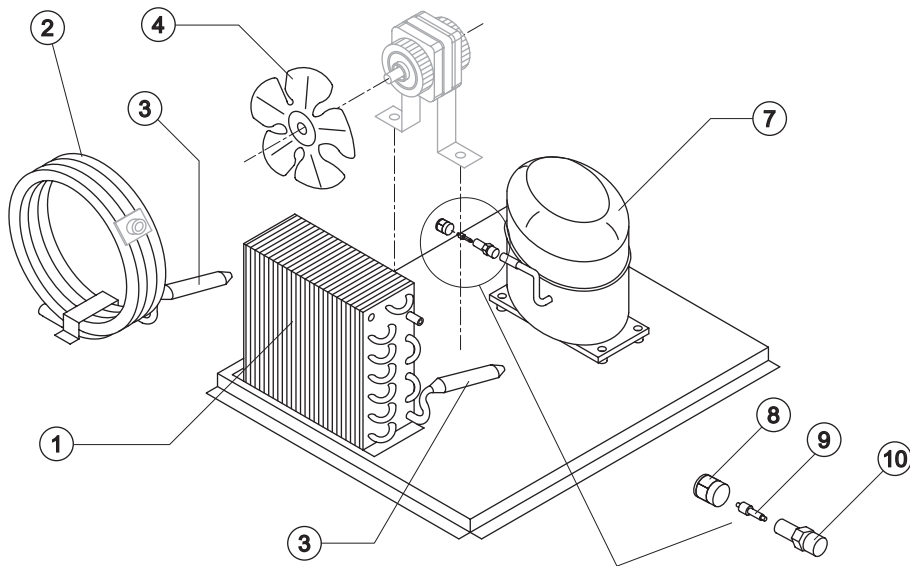
Ref. 4 - Suction Impeller

Tension	Code
220/240V 50 Hz	20096
220/230V 60 Hz	20095

Ref. 7 - Compressor

Tension	Code
220/240V 50 Hz	23441
220/230V 60 Hz	23585

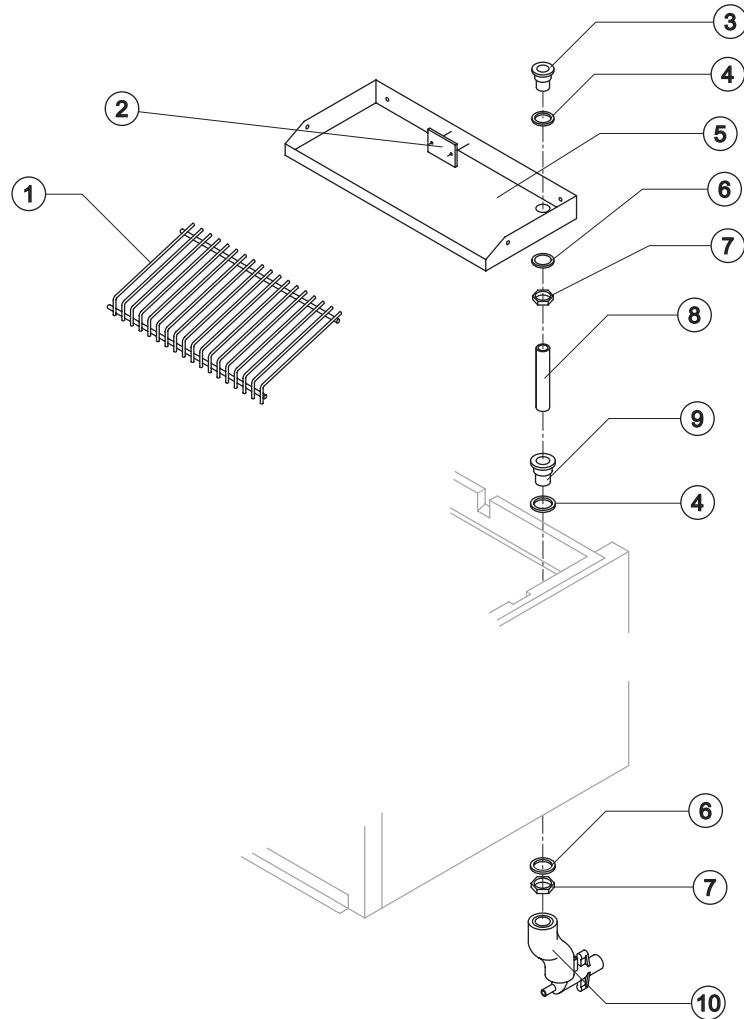
Rev. 4 - 20/10/2003





IF 55

HYDRAULIC CIRCUIT



Common Parts

Ref.	Spare Description	Code
1	Ice Cubes Slide	D12042
2	Slide Keep Plate	10009
3	Overflow Pipe Nipple	10241
4	Silicone Gasket	13006
5	Water Basin	22353
6	Semirigid Polyethylene Gasket	13007
7	Bin Discharge Nut	10096
8	Overflow Pipe	Current Version 13108
8	Overflow Pipe	Till s/n. 62623 13057
9	Plastic Nipple Water Outlet	10007

Parts for Air-Cooled Version Only

Ref.	Spare Description	Code
10	Discharges Manifold	C10006

Parts for Water-Cooled Version Only

Ref.	Spare Description	Code
10	Discharges Manifold	C26452

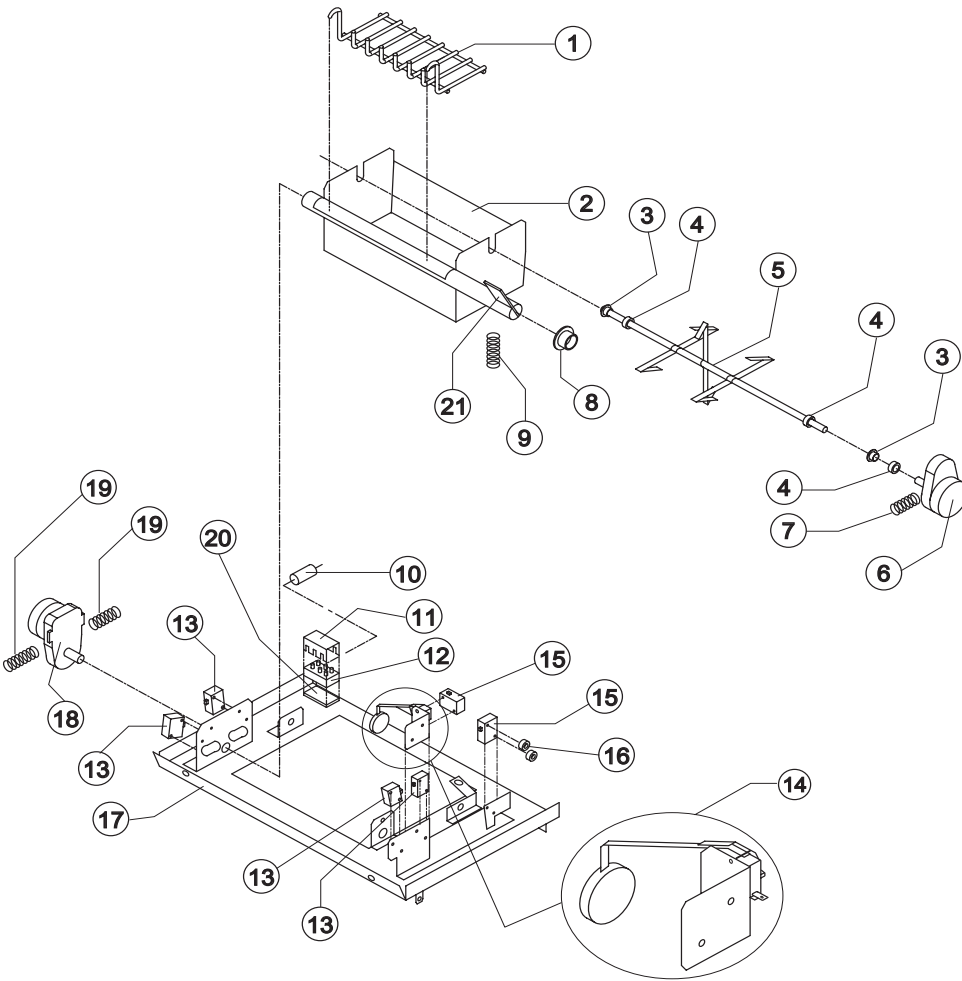
Rev. 4 - 20/10/2003



IF 55

EVAPORATOR SUPPORT

Rev. 4 - 20/10/2003



Ref.	Spare Description	Code	
1	Internal Tray Slide	D12048	
2	Water Basin with Pin	C22356	
3	Self-Lubricating Bush 06/06	20230	
4	Shaft Stop Ring	20227	
5	Shaft with Paddles	20221	
6	Gearmotor (for Paddles)	23194	
7	Spring (Support Gearmotor)	20228	
8	Self-Lubricating Bush 12/07	20231	
9	Spring(Basin Lightening)	20282	
10	Condenser 0,12 µF - 1000 V	220/240V 50 Hz	23318
10	Condenser 0,15 µF - 1000 V	220/230V 60 Hz	23329
11	Terminal Cover	23250	
12	Terminal	23249	
13	Microswitch (usually closed)	23196	
14	Working Kit for the Floating Micro	C26562	
15	Microswitch (usually open)	23372	
16	Switch Shimring Ring	10250	
17	Evaporator Support Plate	22351	
18	Gearmotor (for Turnover Basin)	See Table	-
19	Spring (Support Gearmotor)	20232	
20	Terminal Board Spacer	10143	
21	Micro-Finger Connecting Link	22359	



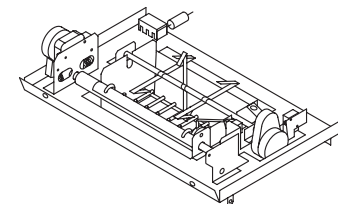
The Complete Evaporator Support Plate has to be request, making reference to the Table.

Ref. 18 - Gearmotor (for Turnover basin)

Tension	Code
220/240V 50 Hz	23195
220/230V 60 Hz	23581

Evaporator Support Plate

Tension	Code
220/240V 50 Hz	C22351
220/230V 60 Hz	C22696





IF 55

ELECTRIC PARTS

Common Parts

Ref.	Spare Description	Code
1	Fan Motor	23029
2	Hot Gas Coil	23091
3	Anti Radio Interference Filter	220/240V 50 Hz 23458
4	Hot Gas Valve Body	20410
5	Condenser Pressure Switch	23175
6	Bin Thermostat	23005
7	Anti Radio Interference Filter	220/240V 50Hz 23459
8	Relay	23190
9	Green Light Switch	23327

Parts for Air-Cooled Version Only

Ref.	Spare Description	Code
12	Inlet Watervalue 1 Way	23220

Parts for Water-Cooled Version Only

Ref.	Spare Description	Code
10	Safety Thermostat	C23114
11	Inlet Watervalue 2 Ways	23501

Rev. 4 - 20/10/2003

