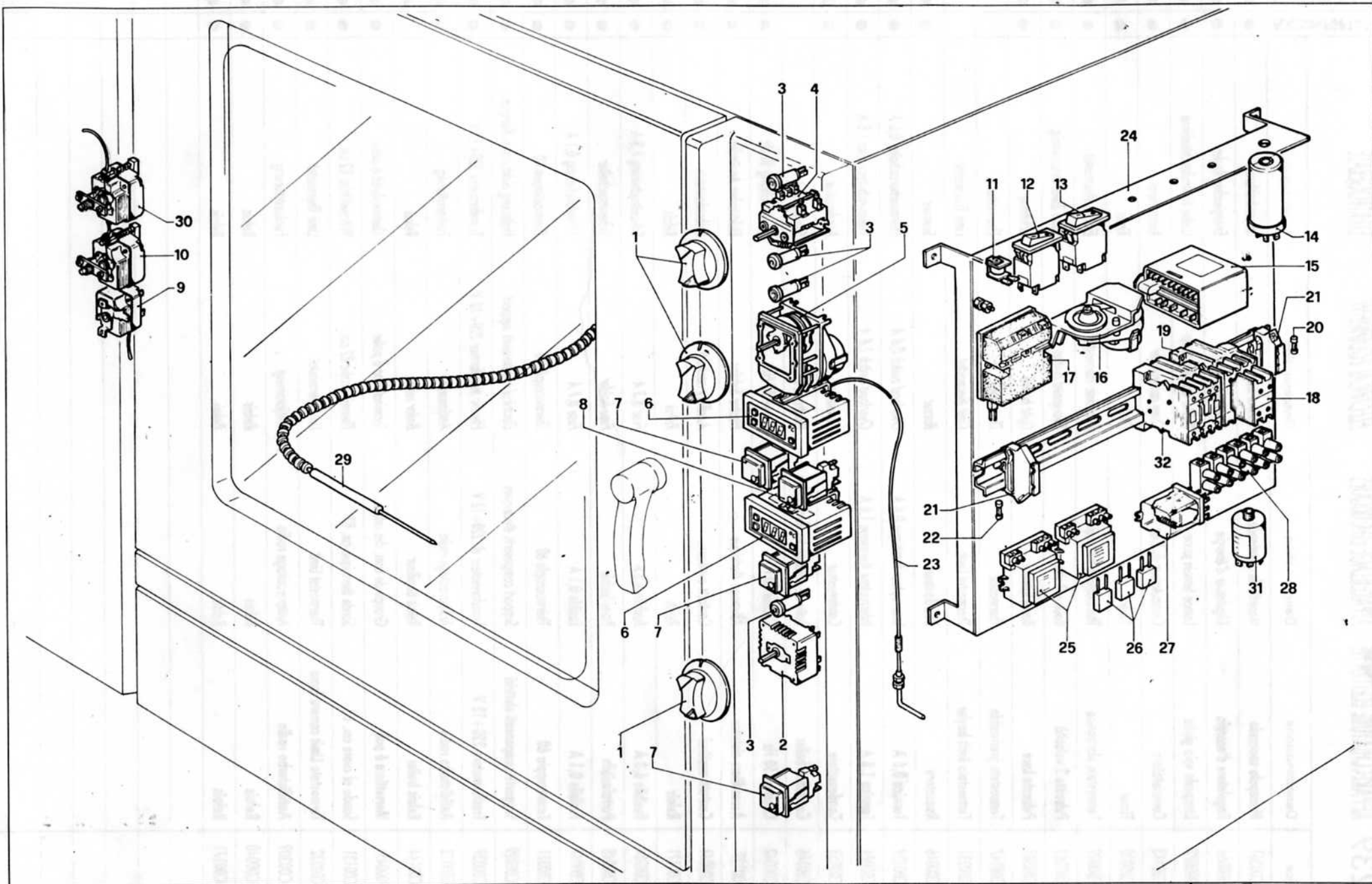
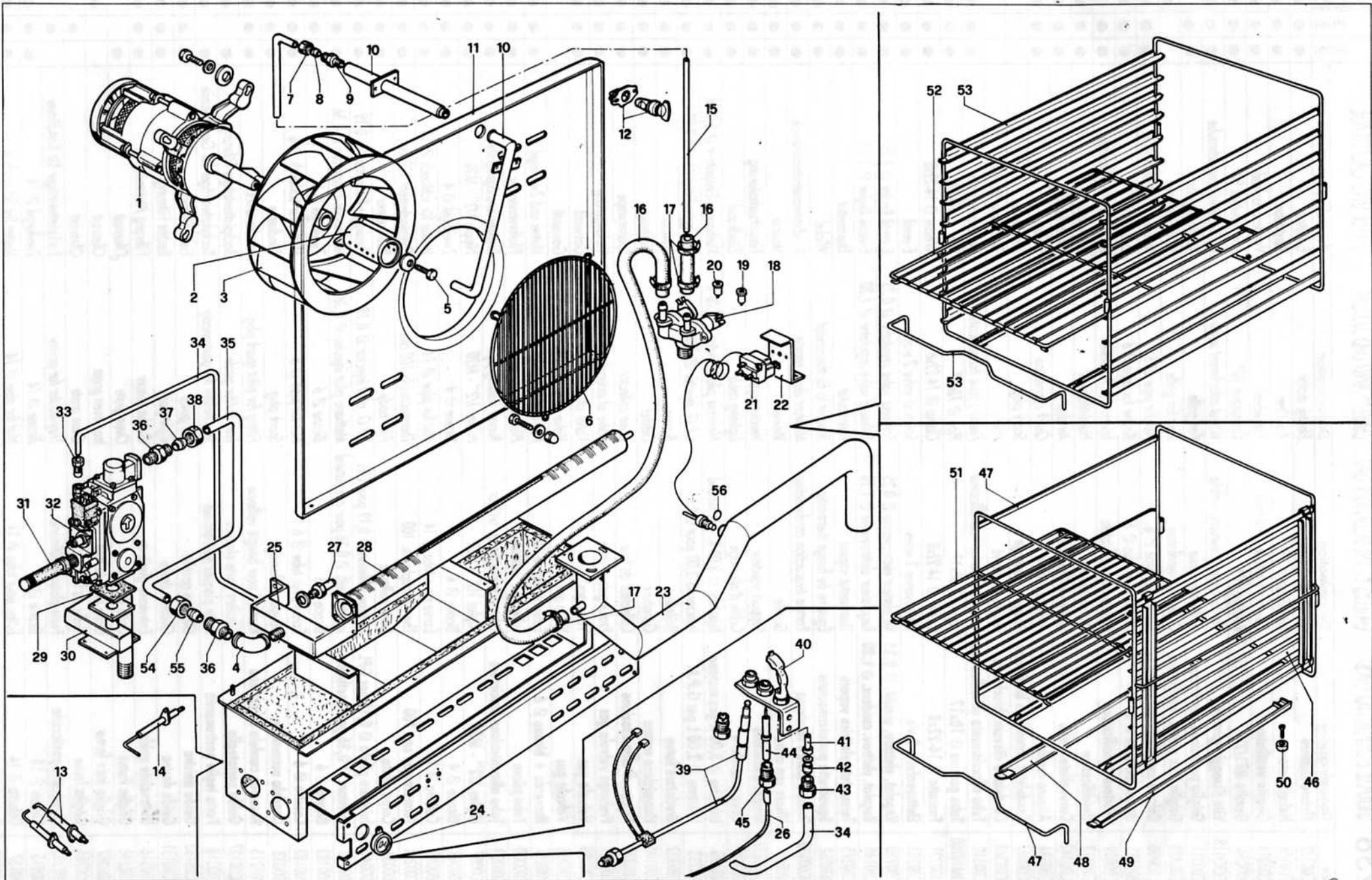


AV. 233 STRUTTURA STRUCTURE STRUCTURE STRUKTUR

	Codice	Denominazione	Denomination	Denomination	Bezeichnung	FGC200-FGP160 FGM200-201	FGM200-201- 202	FEC200-FEP160 FEM200-201	FEM200-201- 202
1	GAFOC00049	Porta forno	Porte du four	Oven door	Ofentür	●	●	●	●
2	RTFOC00065	Cristallo porta forno	Verre porte four	Oven door glass	Ofentürglas	●	●	●	●
3	GAFOC00030	Cerniera superiore porta	Charnière supérieure	Upper hinge	Linke Türangel	●	●	●	●
4	MPGOM03P00	Guarnizione vetro porta	Garniture verre porte	Oven door glass gasket	Türdichtung	●	●	●	●
5	PAFOC00064	Controporta forno	Contre porte du four	Oven counter door	Gegentür	●	●	●	●
6	GAFOC00031	Cerniera inferiore porta	Charnière inférieure	Lower door hinge	Untere Türangel	●	●	●	●
7	RTFOC00360	Maniglia porta forno	Poignée porte four	Oven door handle	Ofentürgriff	●	●	●	●
8	PAFOC00063	Protezione serratura porta	Protection de la serrure	Lock guard	Schlosschutz	●	●	●	●
9	GAFOC00048	Cassetto	Tiroir	Drawer	Kasten	●	●	●	●
10	RTFOC00094	Guarnizione porta forno	Garniture porte du tour	Oven door gasket	Türdichtung	●	●	●	●
11	PAFOC00092	Pannello inferiore	Panneau inférieur	Lowel panel	Untere Tafel	●	●	●	●
12	GAFOC00066	Cruscotto	Panneau de contrôle	Control panel	Stirnbrett	●	●	●	●
12	GAFOC00121	Cruscotto (FEM202-FGM202)	Panneau de contrôle (FEM202 - FGM202)	Control panel (FEM202-FGM202)	Stirnbrett (FEM202-FGM202)		●		●
13	RTFOC00086	Piedino	Pied inox	Foot inox	Inox - Fuss	●	●	●	●
14	PAFOC00284	Fianco inox	Côté inox	Inox side	Inox - Seite	●	●	●	●
15	PAFOC00286	Pannello esterno	Panneau extérieur	External panel	Aussentafel	●	●	●	●
15	PAFOC00371	Pannello esterno (FGM202-FEM202-FEC200-FEP160)	Panneau extérieur (FGM202-FEM202-FEC200-FEP160)	External panel (FGM202-FEM202-FEC200-FEP160)	Aussentafel FGM202-FEM200-FEC200-FEP160)				● ●
16	PAFOC00283	Posteriore inox	Panneau postérieur inox	Inox back panel	Inox - Rückwand	●	●	●	●
17	GAFOC00143	Coperchio	Couvercle	Cover	Topfdeckel				●
17	GAFOC00140	Coperchio	Couvercle	Cover	Topfdeckel	●			
17	GAFOC00129	Coperchio	Couvercle	Cover	Topfdeckel			●	
17	GAFOC00145	Coperchio	Couvercle	Cover	Topfdeckel		●		
18	RTFOC00324	Camino superiore	Cheminée supérieur	Upper chimney	Linke Schornstein	●			
18	RTFOC00349	Camino superiore	Cheminée supérieur	Upper chimney	Linke Schornstein		●		
19	AFC0050	Camino antivento	Cheminée antirefuleur	Chimney	Schornstein	●			
20	AFC0051	Camino antivento	Cheminée antirefuleur	Chimney	Schornstein		●		
21	GAFOC00027	Disco copriforo	Disque	Disk	Scheibe	●	●	●	●
22	RTFOC00392	Manopola scarico condensa	Manette évacuation condensat.	Moisture drain knob	Drehknopf Kondenswasserablass	●	●	●	●
23	RTFOC00328	Asta anteriore scarico condensa	Antenne avant évacuation conden.	Front rod moisture drain	Vordere stange	●	●	●	●
24	RTFOC00329	Asta trasversale scarico condensa	Antenne transversale évacuation cond.	Transverse rod moisture drain	Querstange	●	●	●	●
25	PAFOC00329	Disco scarico condensa	Disque évacuation condensat.	Moisture drain disk	Scheibe	●	●	●	●
26	MPGOM03P00	Guarnizione	Garniture	Gasket	Dichtung	●	●	●	●
27	RTFOC00254	Motore e ventilatore	Ventilateur électrique	Electric ventilator	Ventilatorlau	●	●	●	●
28	GAFOC00119	Convogliatore calore	Convoyeur de chaleur	Heat conveyor	Wärme Förderer	●	●	●	●
29	RTFOC00201	Vetro portalampada	Verre protège ampoule	Lamp-holden glass	Leuchtenhalterungsglas	●	●	●	●
30	RTFOCOO037	Lampada 25 W. 230 V.	Ampoule 25 W. 230 V.	Lamp 25 W. 230 V.	Leuchte 25 W. 230 V.	●	●	●	●
31	RTFOCOO036	Portalampada	Douille	Lamp-holder	Leuchtenhalterung	●	●	●	●
32	RTFOCOO202	Guarnizione portalampada	Garniture	Gasket	Dichtung	●	●	●	●
33	RTFOC00009	Gancio fisso serratura	Crocket fixe de la serrure	Lock fixed hook	Fester Schlossnaken	●	●	●	●
34	GAFOC00051	Serratura porta forno	Serrure porte four	Oven door lock	Ofentürschloss	●	●	●	●
35	RTFOC00057	Zoccolo centrale serratura	Prise centrale serrure	Control connection lock	Mittlerer Anschluss	●	●	●	●
36	RTFOC00005	Zoccolo esterno serratura	Prise extérieure serrure	External connection lock	Ausserer Anschluss	●	●	●	●



	Codice	Denominazione	Denomination	Denomination	Bezeichnung	FGC200-FGP150	FGMD200-201	FGM200-201
1	RTFOC00361	Manopola comando	Manette de commande	Control knob	Steuerdrehknopf	●	●	●
2	RTCU800066	Regolatore d'energia	Régulateur d'énergie	Power regulator	Energiescher Regler	●	●	●
3	RTCU900072	Lampada spia gialla	Lampe témoin jaune	Yellow warning lamp	Gelbe Kontrollenchtenbirne	●	●	●
4	RTFOC00143	Commutatore	Commutateur du four	Oven commutator	Kommutator	●	●	●
5	RTFOC00030	Timer	Timer	Timer	Timer	●	●	●
6	RTFOC00029	Termostato elettronico	Thermostat électronique	Electronic thermostat	Elektra-Thermostat	●	●	●
7	RTFOC00362	Pulsante 2 velocità	Bouton 2 vitesses	Two-speed button	Taste Zwei Geschwindig	●	●	●
8	RTFOC00387	Pulsante Luce	Bouton lumière	Light button	Lichttaste	●	●	●
9	RTFOC00147	Termostato preriscaldamento	Thermostat	Thermostat	Thermostat			●
10	RTFOC00231	Termostato limit boiler	Thermostat Limit	Limit thermostat	Limit Thermostat			●
11	RTFOC00046	Ronzatore	Bourdonneur	Buzzer	Summer	●	●	●
12	RTFOC00129	Termica 0,6 A	Interrupteur thermique 0,6 A	Overload switch 0,6 A	Thermoschutzschalter 0,6 A	●	●	●
13	RTFOC00074	Termica 1,8 A	Interrupteur thermique 1,8 A	Overload switch 1,8 A	Thermoschutzschalter 1,8 A	●	●	●
14	RTFOC00053	Condensatore	Condensateur	Condenser	Kondensator	●	●	●
15	RTFOC00146	Centralina boiler	Boîte de commandes électronique	Electronic control box	Steuerinheit			●
16	RTFOC00042	Ciclatore 50 Hz	Cycleur 50 Hz	Buzzer 50 Hz	Takvorrichtung 50 Hz	●	●	●
17	RTBF800129	Accenditore elettrico	Allumage électrique	Electric lighting	Elektrischer Anzünder	●	●	●
18	RTFOC00041	Contatti ausiliari	Contacts ausiliaires	Auxiliary contacts	Nebenkontakte	●	●	●
19	RTFOC00171	Relais	Relais	Relais	Relais	●	●	●
20	RTFOC00284	Fusibile 6,3 A	Fusible 6,3 A	Fuse 6,3 A	Schmelzsicherung 6,3 A	●	●	●
21	RTFOC00048	Portafusibile	Porte-fusible	Fuse-holder	Sicherungschalter	●	●	●
22	RTFOC00047	Fusibile 0,1 A	Fusible 0,1 A	Fuse 0,1 A	Schmelzsicherung 0,1 A	●	●	●
23	RTFOC00321	Termocoppia 60	Thermocouple 60	Thermocouple 60	Thermoelement 60	●	●	●
24	PAFOC00029	Supporto componenti elettrici	Support composants électriques	Electrical components support	Halterung elektrischen Kompon.	●	●	●
25	RTFOC00039	Trasformatore 220 ÷ 12 V	Transformateur el. 220 ÷ 12 V	Electric transformer 220 ÷ 12 V	Transformator 220 ÷ 12 V	●	●	●
26	RTFOC00023	Antidisturbo radio	Antiparasitage radio	Antijamming	Funkentstörung	●	●	●
27	RTFOC00144	Relais boiler	Relais bouilleur	Boiler relais	Relais		●	●
28	RTBF900045	Morsettiera 6 poli	Groupe de com. des cables	Terminal bloc 6 poles	Klemmenblock 6 polig	●	●	●
29	RTFOC00131	Sonda al cuore cm. 82	Sonde thermique cm. 82	Thermic probe 82 cm.	Wärmefühler 82 cm.	●	●	●
30	RTFOC00232	Termostato Limit camera forno	Thermostat Limit	Limit thermostat	Limit Thermostat	●	●	●
31	RTFOC00309	Antidisturbo radio	Antiparasitage radio	Antijamming	Funkentstörung	●	●	●
32	RTFOC00040	Relais	Relais	Relais	Relais	●	●	
32	RTFOC00171	Relais	Relais	Relais	Relais	●	●	●



	Codice	Denominazione	Denomination	Denomination	Bezeichnung	FGC200	FGP140	FGM2000-201	FGM2000-201	FGM202
1	RTFOC00322	Motore elettrico	Moteur électrique	Electric motor	E-Motor	●	●	●	●	●
2	RTFOC00156	Nebulizzatore	Nébulisateur	Atomizer	Zerstäuber	●	●	●	●	●
3	RTFOC00314	Girante ventilatore	Couronne mobile ventilateur	Fan wheel	Ventilatorlaufrad	●	●	●	●	●
4	RTCP900034	Gomito MF1/2"	Raccord 90°	Connection 90°	Anschlussstück 90°	●	●	●	●	●
5	RTFOCO0118	Vite fissaggio girante	Vis de fixation couronne mobile	Wheel attachment screw	Laufarabestigungsschraube	●	●	●	●	●
6	RTFOC00311	Griglia protezione ventilatore	Grille ventilateur	Fan grille	Ventilatorgitter	●	●	●	●	●
6	RTFOC00323	Griglia inox protez. ventilatore	Grille inox ventilateur	Inox fan grille	Ventilatorgitter	●	●	●	●	●
7	RTFOC00020	Calotta umidificatore Ø 6	Écrou pour tube Ø 6	Nut for pipe Ø 6	Mutter für Schlauch Ø 6	●	●	●	●	●
8	RTCU800183	Bicono per tubo Ø 6	Bicone pour tube Ø 6	Bicone for pipe Ø 6	Zweikegel Ø 6	●	●	●	●	●
9	RTFOC00019	Iniettore umidificatore	Injecteur humidificateur	Injector for humidifier	Einspritzer für Befeuchter	●	●	●	●	●
10	RTFOC00313	Umidificatore	Humidificateur	Humidificateur	Befeuchter	●	●	●	●	●
11	PAFOC00342	Convogliatore aria	Coiffe ventilateur air	Air duct	Luftförderer	●	●	●	●	●
12	RTFOC00334	Attacco rapido	Attaque rapide	Quick connection	Schluss	●	●	●	●	●
13	PAFOC00367	Candeletta accensione bruciatore	Bougie d'allumage	Spark plug	Zündkerze	●	●	●	●	●
14	PAFOC00368	Candeletta rilevam. bruciatore	Bougie de relevé	Plug	Zündkerze Monitor	●	●	●	●	●
15	RTFOC00310	Tubo allacciamento umidificatore	Tube alimentation humidificateur	Feeding pipe humidificateur	Versorgungsrohr	●	●	●	●	●
16	MPGOM10T00	Tubo gomma Ø 10x17	Tuyau Ø 10x17	Pipe Ø 10x17	Rohr Ø 10x17	●	●	●	●	●
17	RTMIN00221	Fascetta Ø 14-22x8	Collier Ø 14-22x8	Clamp Ø 14-22x8	Windel Ø 14-22x8	●	●	●	●	●
18	RTFOC00203	Elettrovalvole 2 vie	Elettrovanne 2 voies	Solenoid valve 2 ways	E-ventil	●	●	●	●	●
19	RTFOC00120	Regolat. elettrov. umidif. Ø 0,25	Regulateur electrovanne Ø 0,25	Solenoid valve regulator Ø 0,25	E-ventil Regler Ø 0,25	●	●	●	●	●
20	RTFOC00145	Regolat. elettrov. condens. Ø 1,20	Regulateur electrovanne Ø 1,20	Solenoid valve regulator Ø 1,20	E-ventil Regler Ø 1,20	●	●	●	●	●
21	RTFOC00275	Termostato elettrico vapore	Thermostat vapeur	Thermostat	Thermostat	●	●	●	●	●
22	PACP800062	Squadretta portatermostato	Équerre de fixation thermostat	Bracket to fix thermostat	Winkel	●	●	●	●	●
23	GAFOC00132	Rampa scarico condensa	Rampe évacuation condensation	Moisture drain rampe	Kondenswasserablassrampe	●	●	●	●	●
24	RTBF900054	Visore con vetro	Douille	Viewer	Monitor	●	●	●	●	●
25	RTFOC000236	Supporto iniettore	Support injecteur	Injector support	Einspritzerhalterung	●	●	●	●	●
26	RTFOC00357	Cavo accensione	Cable d'allumage	Lighting cable	Zündkabel	●	●	●	●	●
27	RTBF800198	Iniettore Ø 3,00 K gas metano	Injecteur Ø 3,00 K. gaz naturel	Methane pilot injector Ø 3,00 K	Methangas-Einspritzer Ø 3,00 K	●	●	●	●	●
27	RTBF800233	Iniettore Ø 2,00 L per G.P.L.	Injecteur Ø 2,00 pour G.P.L.	L.P.G. injector Ø 2,00 L	Flussiggas-Einspritzer Ø 2,00 L	●	●	●	●	●
28	RTFOC00332	Bruciatore forno	Brûleur	Burner	Brenner	●	●	●	●	●
29	RTFOC00100	Huarnizione rampa	Garniture	Gasket	Dichtung	●	●	●	●	●
30	RTFOC00327	Rampa di alimentazione	Collecteur du four	Oven collector	Speiserampe	●	●	●	●	●
31	RTFOC00391	Prolunga valvola gas	Prolongateur valve	Valve sit extension	Verlängerung	●	●	●	●	●
32	RTFOC00095	Valvola gas	Valve gas	Valve sit	Gasventil	●	●	●	●	●
32	RTFOC00258	Valvola gas	Valve gas	Valve sit	Gasventil	●	●	●	●	●
33	RTCU900217	Raccordo + bicono Ø 6	Écrou et bicone Ø 6	Nut and bicone Ø 6	Mutter und Zweikegel Ø	●	●	●	●	●
34	RTFOC00330	Tubo pilota	Tube pour veilleuse	Pilot pipe	Pilotbrennerrohr	●	●	●	●	●
35	RTFOC00331	Tubo alimentazione bruciatore	Tube alimentation du brûleur	Burner feeding pipe	Brennerversorgungrohr	●	●	●	●	●
36	RTCP900087	Niples 1/2" - M20	Niples 1/2" - M20	Niples 1/2" - M20	Nipple 1/2" - M20	●	●	●	●	●
37	RTCP900088	Bicono Ø 4	Bicone Ø 4	Bicone Ø 4	Zweikegel Ø 4	●	●	●	●	●
38	RTCP900089	Calotta Ø 14	Écrou pour tube Ø 14	Nut for pipe Ø 14	Mutter für schlauch Ø 14	●	●	●	●	●
39	RTFOC00241	Termocoppia cm. 100	Thermocouple cm. 100	Thermocouple 100 cm.	Thermoelement 100 cm.	●	●	●	●	●
40	RTCP800034	Corpo pilota	Corp veilleuse	Pilot body	Pilotbrenner	●	●	●	●	●
41	RTCP800041	Iniettore pilota Ø 0,19 per GPL	Injecteur veilleuse Ø 0,19 pour GPL	L.P.G. pilot injector Ø 0,19	Flussiggas-Einspritzer Ø 0,19	●	●	●	●	●
41	RTCP800040	Iniettore Ø 0,36 pour methane	Injecteur veill. Ø 0,36 pour gaz naturel	Methane pilot injector Ø 0,36	Methangas-Einspritzer Ø 0,36	●	●	●	●	●
42	RTCU800183	Bicono Ø 6	Bicone Ø 6	Bicone Ø 6	Zweikegel Ø 6	●	●	●	●	●
43	RTCU800182	Calotta Ø 6	Écrou pour tube Ø 6	Nut for pipe Ø 6	Mutter für Schlauch Ø 6	●	●	●	●	●
44	RTCP800033	Candela accensione	Bougie d'allumage	Spark plug	Zündkerze	●	●	●	●	●
45	RTCU900215	Raccordo candela accensione	Raccord pour bougie veilleuse	Fitting for pilot spark plug	Anschlussstück	●	●	●	●	●
46	GAFOC00127	Guida portateglie	Glissière porte plaques	Tray-holder guide	Backplattenträger Führung	●	●	●	●	●
47	RTFOC00318	Porta teglie gastronomia	Porte plaques gastronomie	Tray-holder for gastronomy	Backplattenträger für Gastronomie	●	●	●	●	●
48	GAFOC00133	Guida sinistra	Glissière gauche	Left guide	Linke Führung	●	●	●	●	●
49	GAFOC00131	Guida destra	Glissière droite	Right guide	Rechte Führung	●	●	●	●	●
50	RTFOC00316	Distanziale guida	Entretoise glissières	Guides spacer	Führung Abstandstück	●	●	●	●	●
51	RTFOC00286	Griglia Forno	Grille du four	Oven grate	Ofenrost	●	●	●	●	●
51	RTFOC00287	Griglia inox forno	Grille inox du four	Inox oven grate	Ofenrost	●	●	●	●	●
52	RTFOC00285	Griglia forno	Grille du four	Oven grate	Ofenrost	●	●	●	●	●
53	RTFOC00383	Portateglie pasticceria	Porte plaques pâtisserie	Tray-holder for pastry	Backplattenträger für Konditorei	●	●	●	●	●
54	RTBF800015	Bicono Ø 14	Bicone Ø 14	Bicone Ø 14	Zweikegel Ø 14	●	●	●	●	●
55	RTBF800137	Calotta Ø 14	Écrou pour tube Ø 14	Nut for pipe Ø 14	Mutter für Schlauch Ø 14	●	●	●	●	●
56	RTFOC00289	Guarnizione termostato	Garniture thermostat	Thermostat gasket	Thermostat Dichtung	●	●	●	●	●