

www.atasrl.com

ATR 1500

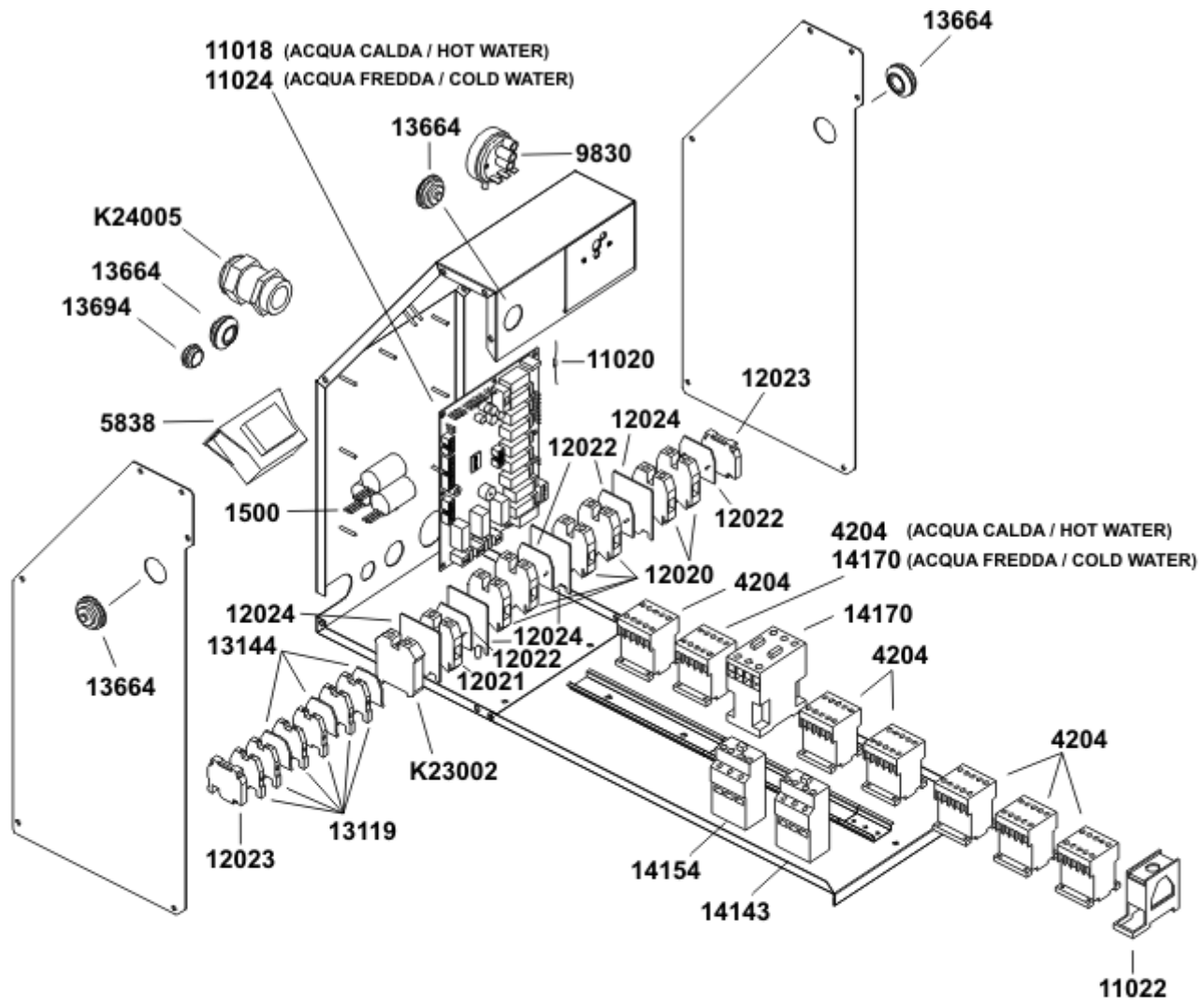
Dis. n° EM.ATR.025

Data: 01/01/16



Professional dishwashers

A.T.A. S.R.L. 35026 CONSELVE (PD) ITALY VIALE DEL PROGRESSO 20 - Z. I. PHONE 049/9500555 (4 LINEE R.A.) FAX 049/9500560



www.atasrl.com

Modello
 Modulo
 Model

ATR 1500

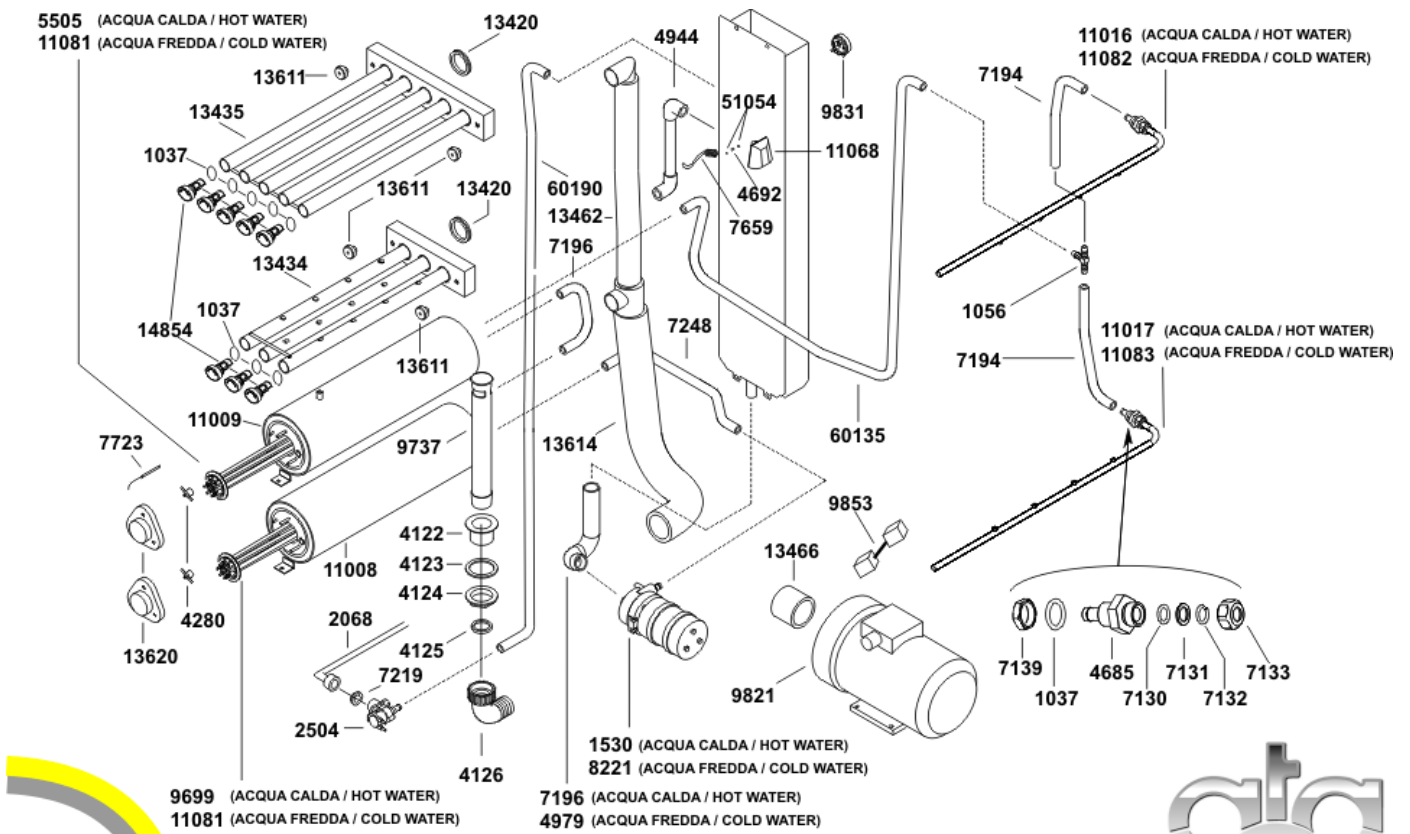
Dis. n° EE.ATR.024

Data: 01/01/16



Professional dishwashers

A.T.A. S.R.L. 35026 CONSELVE (PD) ITALY VIALE DEL PROGRESSO 20 - Z. I. PHONE 049/9500555 (4 LINEE R.A.) FAX 049/9500560



ATR 1500

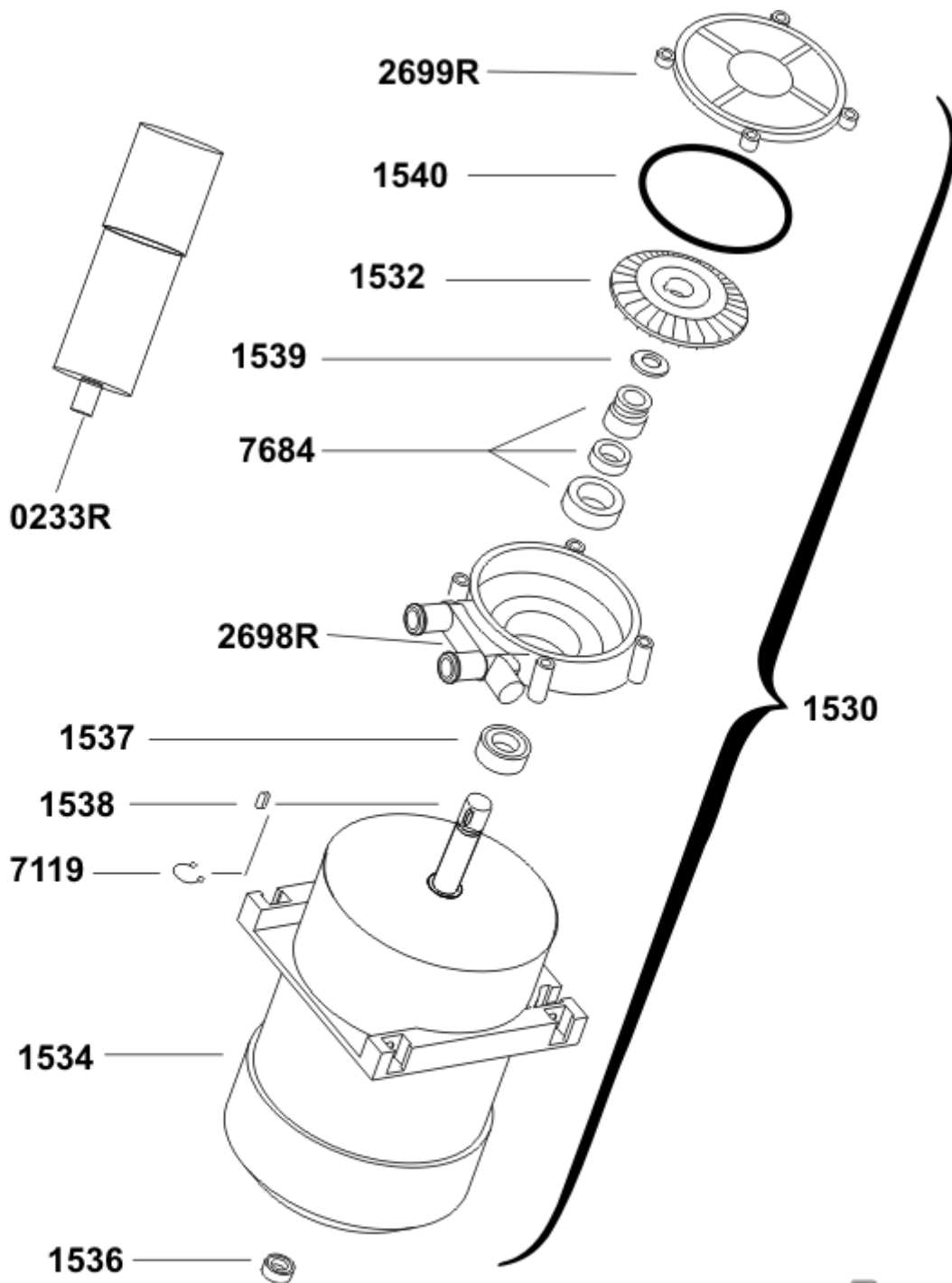
Dis. n° EM.ATR.026

Data: 01/01/16

Professional dishwashers

www.atasrl.com

A.T.A. S.R.L. 35026 CONSELVE (PD) ITALY VIALE DEL PROGRESSO 20 - Z. I. PHONE 049/9500555 (4 LINEE R.A.) FAX 049/9500560



www.atasrl.com

Modello
Modello
Modello
Modello

Pompa aum.pressione

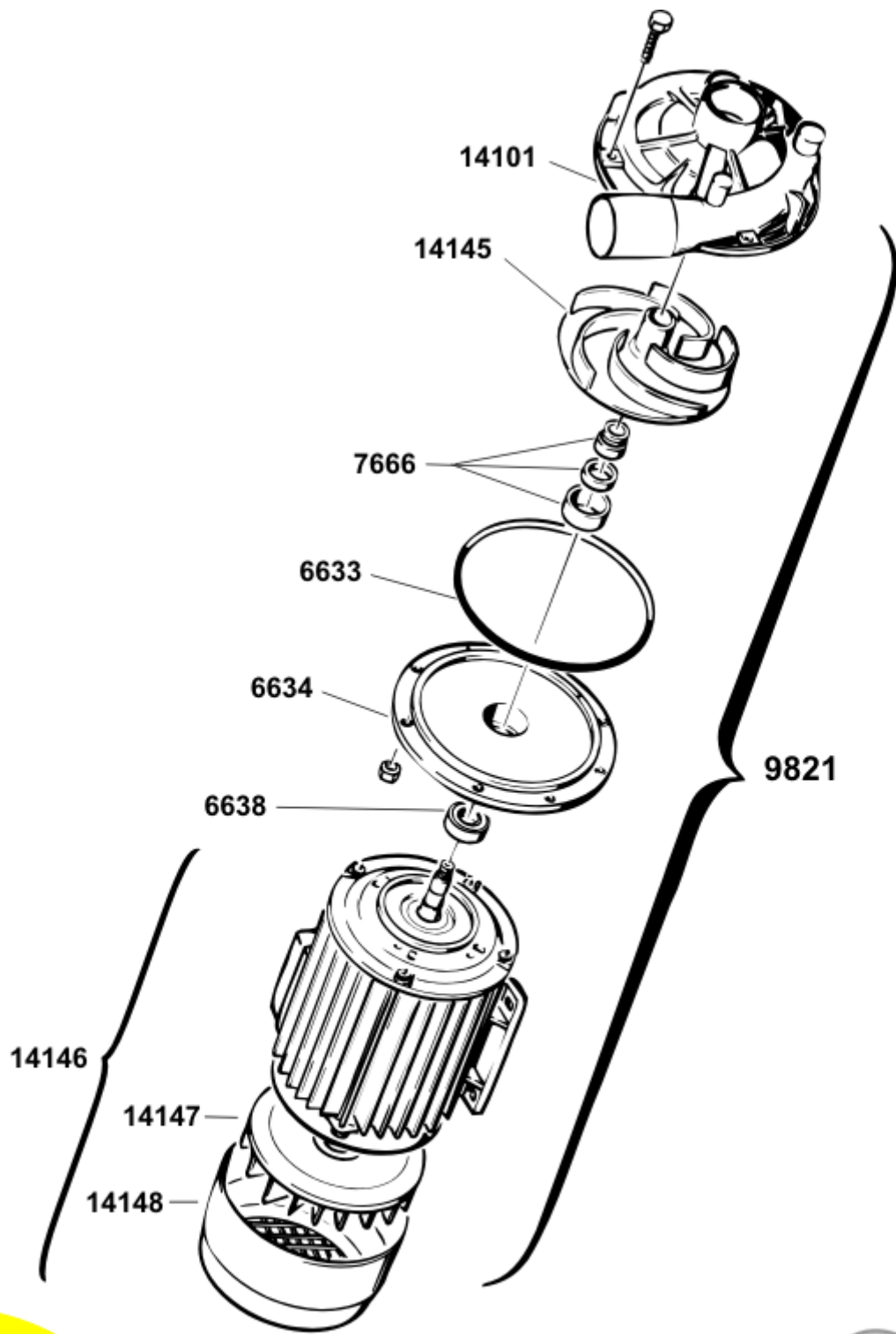
Dis. n° EE.P.027

Data: 01/10/10



Professional dishwashers

A.T.A. S.R.L. 35026 CONSELVE (PD) ITALY VIALE DEL PROGRESSO 20 - Z. I. PHONE 049/9500555 (4 LINEE R.A.) FAX 049/9500560



www.atasrl.com

**ELETTROPOMPA
2 HP**

Modello
Macchine
Model
Model

Dis. n° EE.P.026

Data: 01/10/10



Professional dishwashers

A.T.A. S.R.L. 35026 CONSELVE (PD) ITALY VIALE DEL PROGRESSO 20 - Z. I. PHONE 049/9500555 (4 LINEE R.A.) FAX 049/9500560