

# DISHWASHER

ELECTROMECHANICAL SWITCHES  
LOWER WASHING  
LOWER AND UPPER WASHING

TYPE: AQU37

Accessories  
DVGW  
COLD RINSE  
WATER SOFTNER  
DETERGENT DISPENSER  
DRAIN PUMP

---

## Spare Parts Manual

---



## INFORMAZIONI GENERALI

Questo catalogo serve per richiedere con esattezza le parti di ricambio

Nelle ordinazioni indicare:

1) il numero dei codici dei particolari seguito dalla descrizione e la quantità desiderata;

2) Il codice alfa-numerico presente nella seconda colonna della tabella ;

**I disegni delle parti di ricambio sono solo indicativi e non rappresentano il pezzo in oggetto.**

**I dati contenuti in questo catalogo sono indicativi e possono essere soggetti a modifiche senza impegno di preavviso.**

## ALLGEMEINE INFORMATIONEN

Dieser Ersatzteilkatalog dient zur genauen Angabe der Teile bei Ersatzteilbestellungen.

Bei Ersatzbestellung ist folgendes anzugeben:

1) Die Bestellnummer der Ersatzteile mit der entsprechenden Beschreibung genaue Menge;

2) Der alpha-numerischer Code auf der zweiten Reihe in dein Spcluld;

**Die Zeichnungen der Ersatzteile sind nur als Hinweise gedacht und stellen nicht das betroffene Teil dar.**

**Bei den im Katalog angeführten Daten handelt es sich um Anhaltsdaten, die jederzeit, ohne Vorankündigung, geändert werden können.**

## GENERAL INFORMATION

The present spare parts order exactly the right spare parts

When ordering specify:

1) the part's code number followed by its description and quantity needed;

2) The alpha-numeric code is in the second column in the chart;

**Spare parts drawings are general and do not represent the part.**

**The contents of this catalogue are general and can undergo changes without prior notice.**

## INFORMACIONES GENERALES

El presente catálogo sirve para pedir con exactitud las partes de repuesto

En los pedidos se debe indicar:

1) el número de código de la parte y a continuación la descripción cantidad deseada;

2) El código alfanumerico presente en la segnada columna de la tabla;

**Los diseños de las partes de recambio son solo indicativos y no representan la pieza en cuestión.**

**Los datos contenidos en el presente catálogo son indicativos y pueden modificarse sin aviso previo.**

## INFORMATIONS GENERALES

Ce catalogue permet de commander correctement les pièces détachées

Les commandes doivent être passées en indiquant:

1) le numero de code des pièces détachées suivi de leur description quantité désirée;

2) le code alphanumérique dans la deuxième colonne du tableau;

**Les plans des pièces détachées sont fournis seulement à titre indicatif et ne représentent pas la pièce concernée.**

**Les données de ce catalogue sont citées seulement à titre indicatif et peuvent être l'objet de modifications sans avis préalable.**

ESEMPIO  
EXAMPLE  
EXEMPLE  
BEISPIEL

| Rif.               | Codici  |
|--------------------|---------|
| MODULE:Particolari |         |
| 10505              | 540903  |
| 10510              | 540908  |
| 10515              | 15065/A |
| 10520              | 540086  |
| 10525              | 540028  |

**Note**

Tutte le informazioni riportate si intendono aggiornate alla data di stampa. Il Produttore si riserva il diritto di apportare qualsiasi modifica richiesta dallo sviluppo evolutivo dei suddetti prodotti.

Per la sicurezza, la garanzia, l'affidabilità ed il valore della lavastoviglie usa solo ricambi originali. **Per alcuni codici, sono richieste quantità minime d'ordine.**

**Attenzione**

Questo libretto è parte integrante della lavastoviglie e, in caso di passaggio di proprietà, deve essere consegnato al nuovo acquirente.

**Remarque**

Toutes les informations contenues dans ce manuel s'entendent mises à jour à la date d'impression. En raison du développement constant de ses produits, usine se réserve le droit d'apporter à tout instant les modifications qu'elle jugera utiles.

Pour la sécurité, la garantie, la fiabilité et la valeur de votre lavevaisselles n'utilisez que des pièces de rechange d'origine. **Pour quelque référence on demande un minimum de pièces par commande**

**Attention**

Ce manuel doit être considéré comme partie intégrante de la la lavevaisselles, en cas de transfert de propriété, doit toujours être remis au nouveau propriétaire.

**Note**

The information contained herein is valid at the time of going to print. The Company reserves the right to make any changes required by the future development of the above-mentioned products.

For your safety, as well as to preserve the warranty reliability and worth of your dishwashers, use original spare parts only. **For some codes a minimum quantity for order is required.**

**Warning**

This manual forms an integral part of the dishwashers and - if a transfer of title occurs - must always be handed over to the new owner.

**Hinweis**

Die Der Hersteller behält sich das Recht vor, jegliche, durch eine Weiterentwicklung der genannten Produkte bedingte Änderungen vornehmen zu können.

Verwenden Sie für Ihre Sicherheit, die Garantie, die Zuverlässigkeit und den Wert Ihrer machine originale Ersatzteile. **Für bestimmte Code nummer werden mindesten bestellungen verlangt.**

**Achtung**

Diese Betriebsanleitung ist Bestandteile des machine und muss bei seinem Weiterverkauf dem neuen Besitzer ausgehändigt werden.



---

**Code** 999XYYYY **CL/Part**

**Model DESCRIPTION** 

**S/N** 04012345 **Type** .....

400VAC3N 50HZ 8A  
3500W 500W

  16A

**200-500**

Pressione Dinamica alimentazione idrica  
Pression dynamique arrivee d'eau  
Dynamic pressure water supply  
Dynamischer Druck asserreinlauf

Pressione dinamica vapore saturo  
Pression dynamique vapeur satuee  
Dymanischer Druck gesattigter Dampf  
Pression Dinamica Vapor Saturado

**TECHICAL SPECIFICATION**

**MADE IN ITALY**

Temperatura massima acqua in ingresso **60°C**  
Temperature max eau a l'entre  
Maximale Temperatur Wasseranschlu  
Maximum Water temperature in-feeding

---

Model 

S/N 

**CODE 999 XX YYYY**

FAMIGLIA PRODOTTO  
FAMILY PRODUCT  
FAMILLE DU PRODUIT  
FAMILIA PRODUCTO  
FAMILIE DES PRODUKTES

CODICE MODELLO  
CODE MODEL  
CODE ARTICLE  
CODIGO MODELO  
KODE VON MODELL

**S/N 04 012345**

ANNO  
YEAR  
ANNÉE  
AN<sup>o</sup>  
JAHR

NUMERO DI SERIE  
SERIAL NUMBER  
NUMÉRO DI SÉRIE  
NUMERO DI SERIE  
SERIENNUMMER



## 1. Spare parts

|   |           |
|---|-----------|
| <b>General body parts.....</b>          | <b>7</b>  |
| <b>Lockup system .....</b>              | <b>9</b>  |
| <b>Control panel and switches.....</b>  | <b>11</b> |
| <b>Electric control components.....</b> | <b>13</b> |
| <b>Solenoid valve group .....</b>       | <b>15</b> |
| <b>Solenoid valve group .....</b>       | <b>17</b> |
| <b>DVGW .....</b>                       | <b>19</b> |
| <b>Water softner group.....</b>         | <b>21</b> |
| <b>Rinse aid dispenser group.....</b>   | <b>23</b> |
| <b>Rinse aid dispenser group.....</b>   | <b>25</b> |
| <b>Boiler group .....</b>               | <b>27</b> |
| <b>3 ways connection .....</b>          | <b>29</b> |
| <b>4 ways connection .....</b>          | <b>31</b> |
| <b>Wash pump .....</b>                  | <b>33</b> |
| <b>Wash pump .....</b>                  | <b>35</b> |
| <b>Dosing detergent group.....</b>      | <b>37</b> |

---

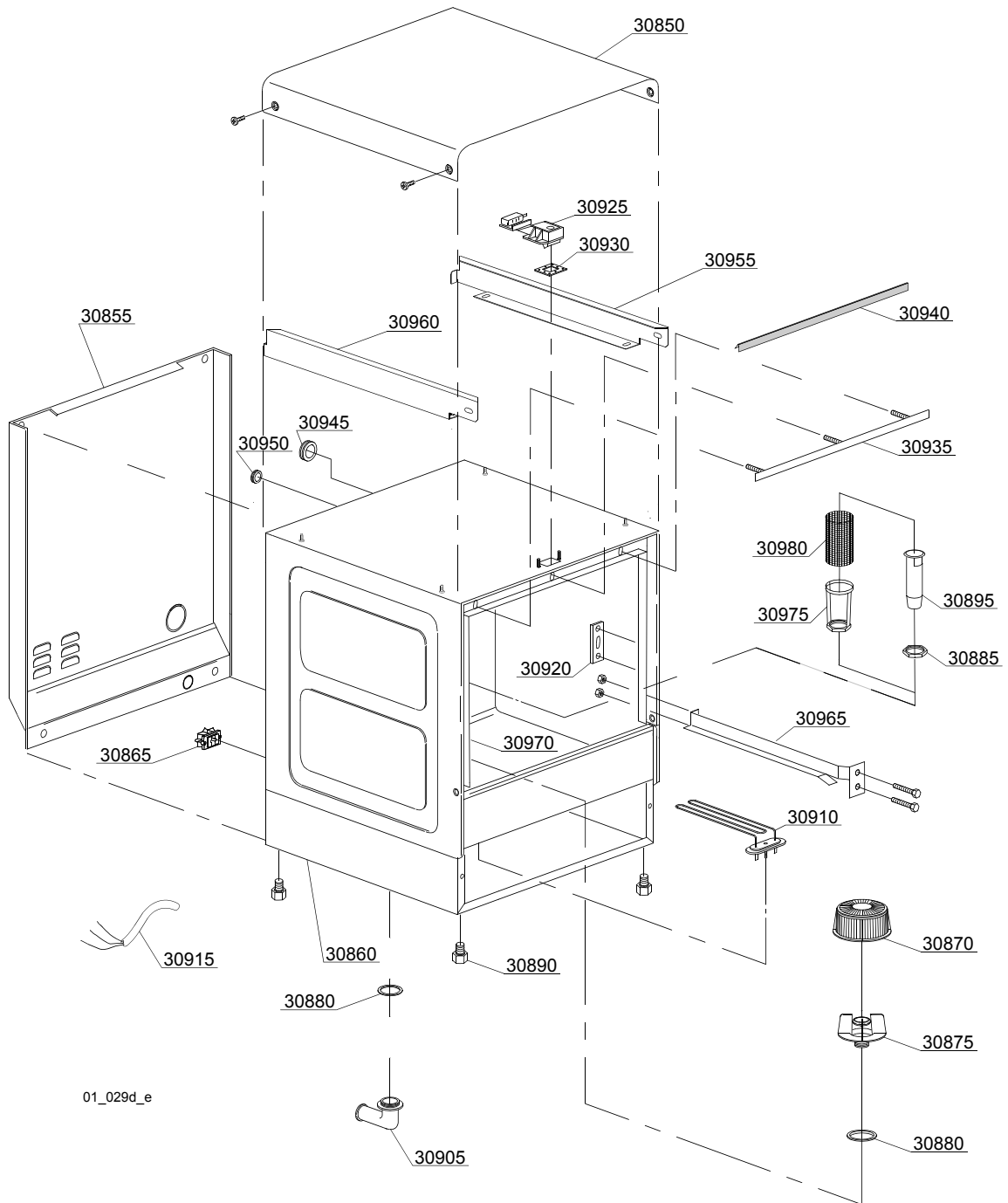
|  |           |
|--|-----------|
| <b>Drain pump group.....</b>                   | <b>39</b> |
| <b>Pressure switch group with air trap ...</b> | <b>41</b> |
| <b>Turret group with rotating arms .....</b>   | <b>43</b> |
| <b>Turret group with rotating arms .....</b>   | <b>47</b> |
| <b>Turret group with rotating arms .....</b>   | <b>51</b> |

## 1.1 Voltage codes

| Volt | Voltage code            |
|------|-------------------------|
| A    | 3/N/PE~380-400V 50-60Hz |
| D    | 3/PE~200-210V 50-60Hz   |
| F    | 2/PE~220-240V 50-60Hz   |
| G    | 3/N/PE~415V 50-60Hz     |
| H    | 3/PE~220-230V 50-60Hz   |
| K    | 3/PE~380-400V 50-60Hz   |
| L    | 3/PE~415V 50-60Hz       |
| M    | 3/PE~440V 60Hz          |
| P    | 1/N/PE~220-230V 50-60Hz |
| R    | 2/PE~220-240V 50-60Hz   |
| U    | 1/N/PE~240V 50-60Hz     |
| V    | 3/PE~240V 50-60Hz       |
| W    | 1/N/PE~100-110V 50-60Hz |

## 1.2 Product codes

| Product code    | Full name                  |
|-----------------|----------------------------|
| Model codes     |                            |
| em              | ELECTROMECHANICAL SWITCHES |
| lw              | LOWER WASHING              |
| uw              | LOWER AND UPPER WASHING    |
| Type codes      |                            |
| AQU37           | AQU37                      |
| Accessory codes |                            |
| dvgw            | DVGW                       |
| cr              | COLD RINSE                 |
| ws              | WATER SOFTNER              |
| dd              | DETERGENT DISPENSER        |
| dp              | DRAIN PUMP                 |

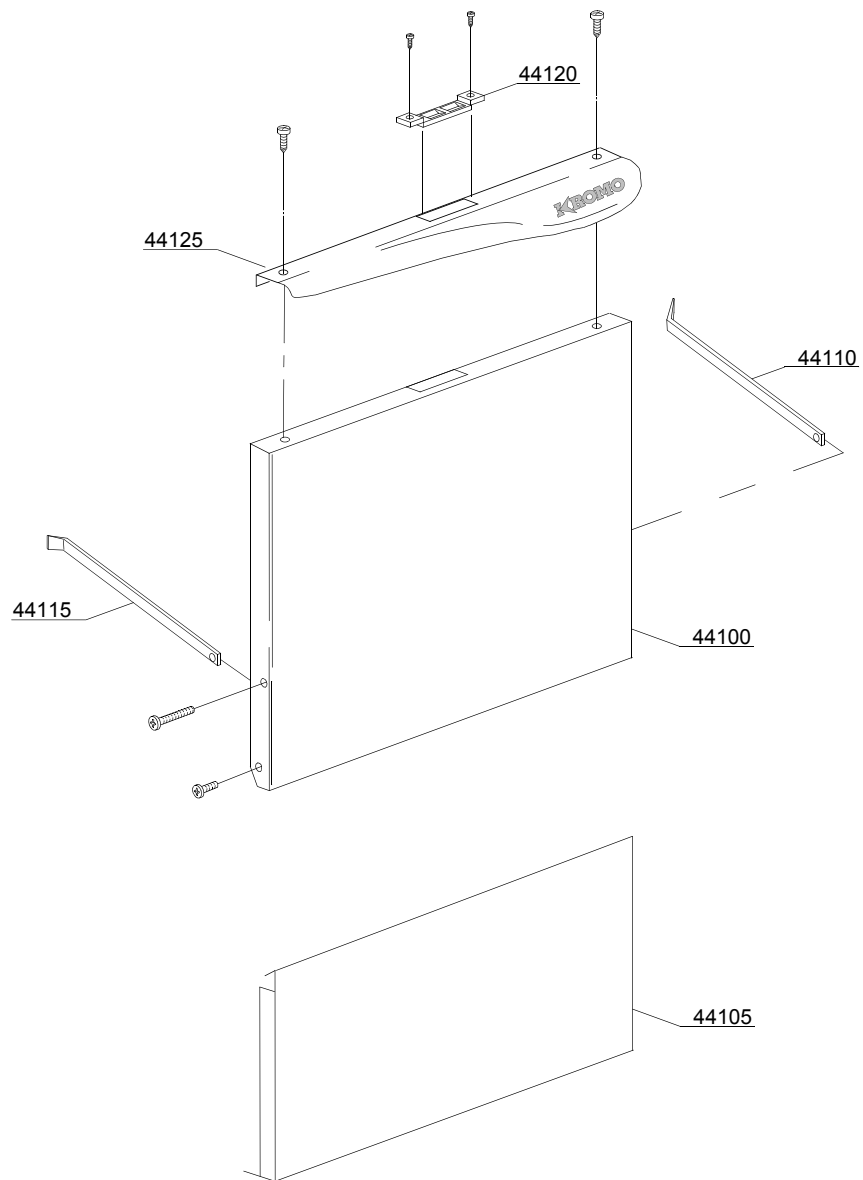


## Spare parts

| ID                               | P-code   | SN from | SN to | Mod. | Acces. | Volt | Description                                  |
|----------------------------------|----------|---------|-------|------|--------|------|--|
| <b>Module:General body parts</b> |          |         |       |      |        |      |  |
| 30850                            | 260036   |         | -     |      |        |      | Cover  |
| 30855                            | 260015   |         | -     |      |        |      | Back panel                                   |
| 30860                            | 260001   |         | -     |      |        |      | Body   |
| 30860                            | 260000   |         | -     |      |        |      | Body   |
| 30865                            | 15065/A  |         | -     |      |        |      | Cable-fastener with screw                    |
| 30870                            | 540002   |         | -     |      |        |      | Filter for top body                          |
| 30875                            | 540000/A |         | -     |      |        |      | Top filter body                              |
| 30880                            | 13305    |         | -     |      |        |      | 44x32x3 O-ring (minimum 5 pieces)            |
| 30885                            | 11701/A  |         | -     |      |        |      | Stainless steel nut                          |
| 30890                            | 10850    |         | -     |      |        |      | M10x25 Ø40 black foot (minimum 4 pieces)     |
| 30895                            | 135252   |         | -     |      |        |      | Overflow pipe                                |
| 30905                            | 10701    |         | -     |      |        |      | Drain elbow                                  |
| 30910                            | 16035/A  |         | -     |      |        |      | 1,85/2,02KW 230/240V heating element         |
| 30915                            | 10713    |         | -     |      |        |      | 3x2,5x2500 cable                             |
| 30920                            | 150401   |         | -     |      |        |      | Door rod slide (minimum 4 pieces)            |
| 30925                            | 150402   |         | -     |      |        |      | Door jack assembly                           |
| 30935                            | 375908   |         | -     |      |        |      | Door O-ring angular                          |
| 30940                            | 135206   |         | -     |      |        |      | Door O-ring                                  |
| 30945                            | 13317    |         | -     |      |        |      | Ø40mm lead through rubber (minimum 2 pieces) |
| 30950                            | 13323    |         | -     |      |        |      | Ø13mm lead through rubber (minimum 2 pieces) |
| 30955                            | 260035   |         | -     |      |        |      | Right cover back support                     |
| 30960                            | 260034   |         | -     |      |        |      | Left cover back support                      |
| 30965                            | 260002   |         | -     |      |        |      | Right/left internal slide                    |
| 30970                            | 260003   |         | -     |      |        |      | Right/left internal slide                    |
| 30975                            | 11701/B  |         | -     |      |        |      | Stainless steel nut                          |
| 30980                            | 440751   |         | -     |      |        |      | Drain pump stainless steel filter            |

em=ELECTROMECHANICAL SWITCHES, lw=LOWER WASHING, uw=LOWER AND UPPER WASHING  
AQU37=AQU37

dvgw=DVGW, cr=COLD RINSE, ws=WATER SOFTNER, dd=DETERGENT DISPENSER, dp=DRAIN PUMP  
A=3/N/PE~380-400V 50-60Hz, D=3/PE~200-210V 50-60Hz, F=2/PE~220-240V 50-60Hz, G=3/N/PE~415V 50-60Hz,  
H=3/PE~220-230V 50-60Hz, K=3/PE~380-400V 50-60Hz, L=3/PE~415V 50-60Hz, M=3/PE~440V 60Hz, P=1/N/PE~220-  
230V 50-60Hz, R=2/PE~220-240V 50-60Hz, U=1/N/PE~240V 50-60Hz, V=3/PE~240V 50-60Hz, W=1/N/PE~100-110V  
50-60Hz



02\_127\_e

## Spare parts

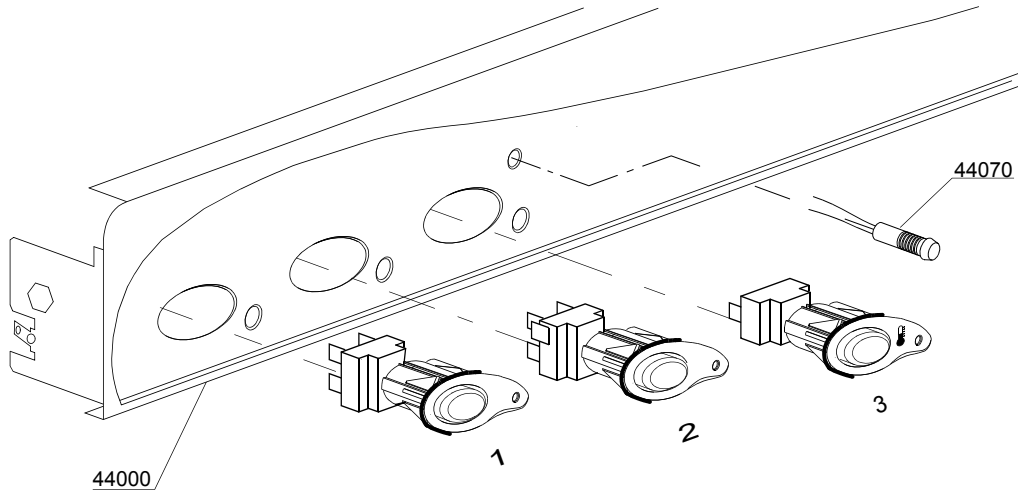
| ID                           | P-code   | SN from | SN to | Mod. | Acces. | Volt | Description            |
|------------------------------|----------|---------|-------|------|--------|------|------------------------|
| <b>Module: Lockup system</b> |          |         |       |      |        |      |                        |
| 44100                        | 260005   |         | -     |      |        |      | Door                   |
| 44105                        | 260016   |         | -     |      |        |      | Lower door             |
| 44110                        | 250006   |         | -     |      |        |      | Right door rod         |
| 44115                        | 250007   |         | -     |      |        |      | Left door rod          |
| 44120                        | 150402/D |         | -     |      |        |      | Door jack              |
| 44125                        | 260012   |         | -     |      |        |      | Stainless steel handle |

em=ELECTROMECHANICAL SWITCHES, lw=LOWER WASHING, uw=LOWER AND UPPER WASHING

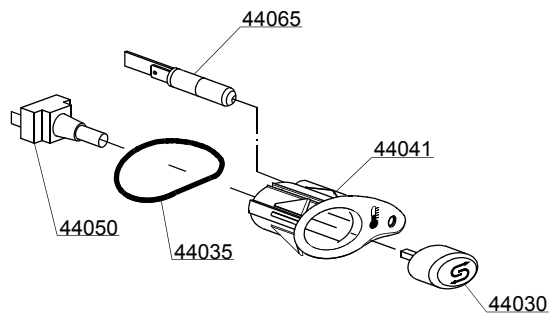
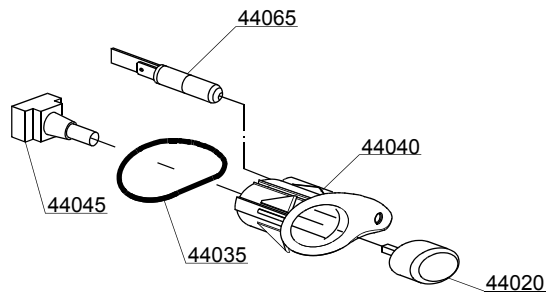
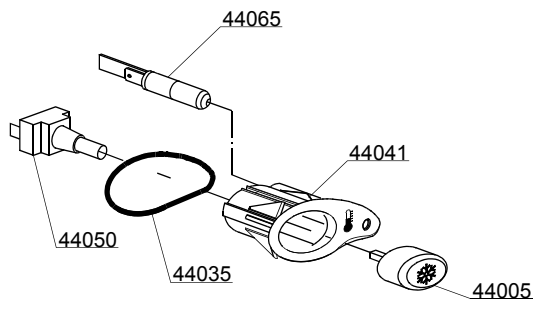
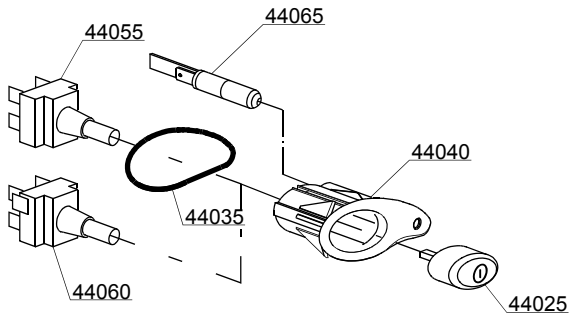
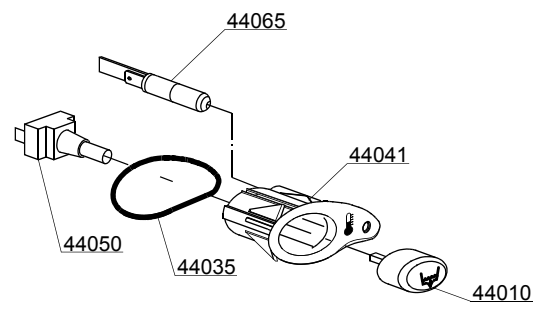
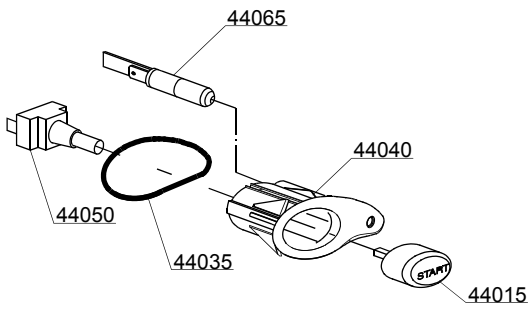
AQU37=AQU37

dvgw=DVGW, cr=COLD RINSE, ws=WATER SOFTNER, dd=DETERGENT DISPENSER, dp=DRAIN PUMP

A=3/N/PE~380-400V 50-60Hz, D=3/PE~200-210V 50-60Hz, F=2/PE~220-240V 50-60Hz, G=3/N/PE~415V 50-60Hz, H=3/PE~220-230V 50-60Hz, K=3/PE~380-400V 50-60Hz, L=3/PE~415V 50-60Hz, M=3/PE~440V 60Hz, P=1/N/PE~220-230V 50-60Hz, R=2/PE~220-240V 50-60Hz, U=1/N/PE~240V 50-60Hz, V=3/PE~240V 50-60Hz, W=1/N/PE~100-110V 50-60Hz



03\_047\_e



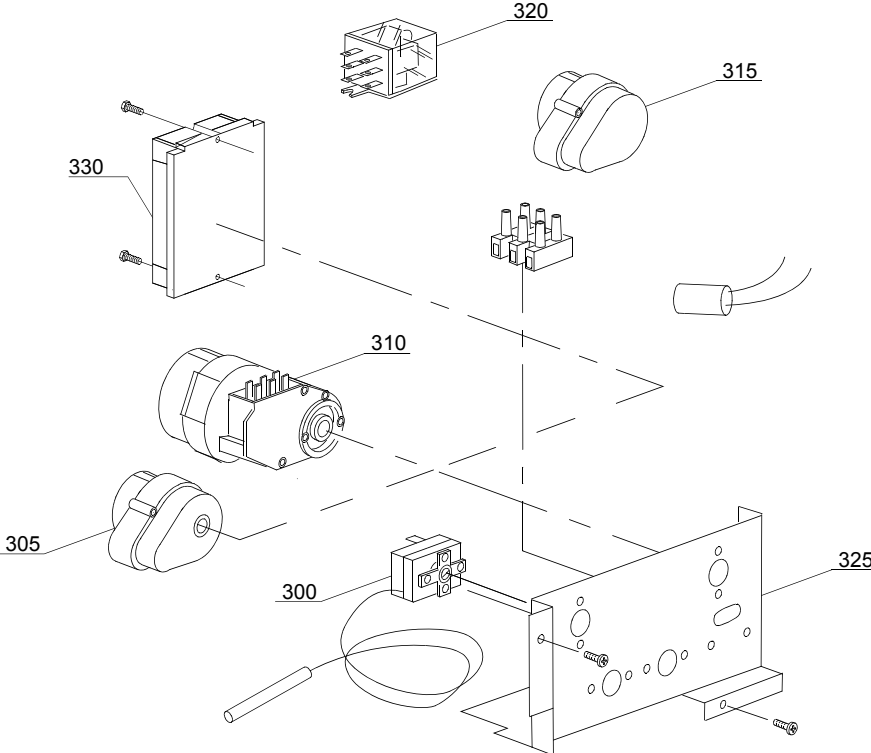
## Spare parts

| ID                                       | P-code  | SN from | SN to | Mod. | Acces. | Volt | Description                         |
|--|---------|---------|-------|------|--------|------|-------------------------------------|
| <b>Module:Control panel and switches</b> |         |         |       |      |        |      |                                     |
| 44000                                    | 260033  |         | -     | em   | ws     |      | Regeneration control panel          |
| 44000                                    | 260032  |         | -     | em   |        |      | Control panel                       |
| 44005                                    | 89344   |         | -     | em   | cr     |      | Touche chaud/froid                  |
| 44010                                    | 89343   |         | -     | em   | dp     |      | Drain pump push button (OPTIONAL)   |
| 44015                                    | 89341   |         | -     | em   |        |      | START push button                   |
| 44020                                    | 89348   |         | -     | em   |        |      | Blind push button                   |
| 44025                                    | 89340   |         | -     | em   |        |      | ON-OFF push button                  |
| 44030                                    | 89345   |         | -     | em   | ws     |      | Regeneration push button (OPTIONAL) |
| 44035                                    | 86006   |         | -     | em   |        |      | OR O-ring                           |
| 44040                                    | 86001   |         | -     | em   |        |      | Push button support                 |
| 44040                                    | 86002   |         | -     | em   |        |      | Temperature push button support     |
| 44045                                    | 15844   |         | -     | em   |        |      | Push button support                 |
| 44050                                    | 15813   |         | -     | em   |        |      | 16A unipolar switch                 |
| 44055                                    | 15812   |         | -     | em   |        |      | 16A bipolar switch                  |
| 44055                                    | 15800   |         | -     | em   |        |      | 16A switch                          |
| 44060                                    | 15811   |         | -     | em   |        |      | 16A bipolar switch                  |
| 44060                                    | 15811/A |         | -     | em   |        |      | 16A bipolar switch                  |
| 44065                                    | 15826   |         | -     | em   |        |      | Pilot light                         |
| 44070                                    | 10711   |         | -     | em   |        |      | Pilot light                         |

em=ELECTROMECHANICAL SWITCHES, lw=LOWER WASHING, uw=LOWER AND UPPER WASHING  
AQU37=AQU37

dvgw=DVGW, cr=COLD RINSE, ws=WATER SOFTNER, dd=DETERGENT DISPENSER, dp=DRAIN PUMP

A=3/N/PE~380-400V 50-60Hz, D=3/PE~200-210V 50-60Hz, F=2/PE~220-240V 50-60Hz, G=3/N/PE~415V 50-60Hz,  
H=3/PE~220-230V 50-60Hz, K=3/PE~380-400V 50-60Hz, L=3/PE~415V 50-60Hz, M=3/PE~440V 60Hz, P=1/N/PE~220-  
230V 50-60Hz, R=2/PE~220-240V 50-60Hz, U=1/N/PE~240V 50-60Hz, V=3/PE~240V 50-60Hz, W=1/N/PE~100-110V  
50-60Hz



04\_007\_e

## Spare parts

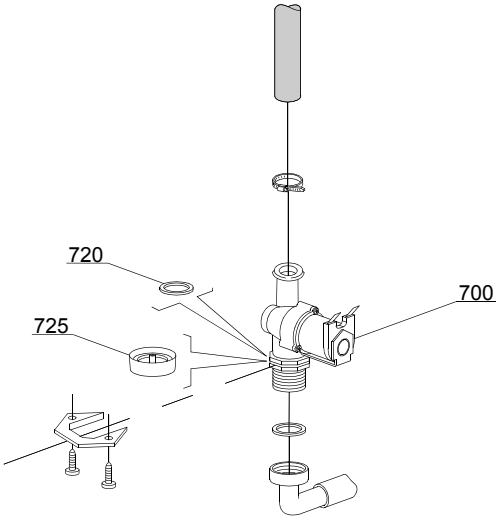
| ID  | P-code  | SN from | SN to | Mod. | Acces. | Volt | Description                                |
|---|---------|---------|-------|------|--------|------|--|
| <b>Module:Electric control components</b> |         |         |       |      |        |      |  |
| 300                                       | 10707/1 |         | -     |      |        |      | 0-90°C thermostat                          |
| 305                                       | 10708/L |         | -     |      |        |      | 120" timer - 230Vac 50Hz                   |
| 315                                       | 16064/A |         | -     |      | ws     |      | Regeneration timer                         |
| 320                                       | 15620   |         | -     |      | dp     |      | 16A bipolar relay in deviation             |
| 325                                       | 260018  |         | -     |      |        |      | Electric component panel                   |
| 330                                       | 50553   |         | -     |      |        |      | 3 times electronic timer with regeneration |

em=ELECTROMECHANICAL SWITCHES, lw=LOWER WASHING, uw=LOWER AND UPPER WASHING

AQU37=AQU37

dvgw=DVGW, cr=COLD RINSE, ws=WATER SOFTNER, dd=DETERGENT DISPENSER, dp=DRAIN PUMP

A=3/N/PE~380-400V 50-60Hz, D=3/PE~200-210V 50-60Hz, F=2/PE~220-240V 50-60Hz, G=3/N/PE~415V 50-60Hz, H=3/PE~220-230V 50-60Hz, K=3/PE~380-400V 50-60Hz, L=3/PE~415V 50-60Hz, M=3/PE~440V 60Hz, P=1/N/PE~220-230V 50-60Hz, R=2/PE~220-240V 50-60Hz, U=1/N/PE~240V 50-60Hz, V=3/PE~240V 50-60Hz, W=1/N/PE~100-110V 50-60Hz



05\_002\_e

## Spare parts

---

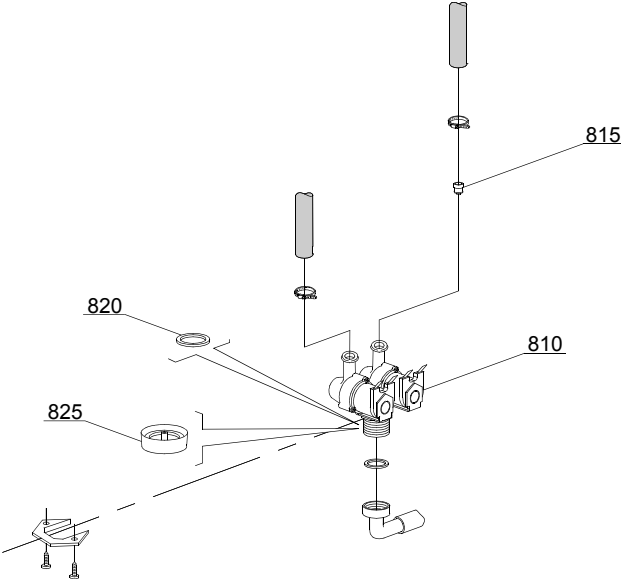
| ID                                 | P-code | SN from | SN to | Mod. | Acces. | Volt | Description                    |
|------------------------------------|--------|---------|-------|------|--------|------|--------------------------------|
| <b>Module:Solenoid valve group</b> |        |         |       |      |        |      |                                |
| 700                                | 10703  |         | -     | em   |        |      | Single solenoid valve - 220Vac |
| 720                                | N.C.   |         | -     | em   |        |      | Pression reducing valve        |

em=ELECTROMECHANICAL SWITCHES, lw=LOWER WASHING, uw=LOWER AND UPPER WASHING

AQU37=AQU37

dvgw=DVGW, cr=COLD RINSE, ws=WATER SOFTNER, dd=DETERGENT DISPENSER, dp=DRAIN PUMP

A=3/N/PE~380-400V 50-60Hz, D=3/PE~200-210V 50-60Hz, F=2/PE~220-240V 50-60Hz, G=3/N/PE~415V 50-60Hz, H=3/PE~220-230V 50-60Hz, K=3/PE~380-400V 50-60Hz, L=3/PE~415V 50-60Hz, M=3/PE~440V 60Hz, P=1/N/PE~220-230V 50-60Hz, R=2/PE~220-240V 50-60Hz, U=1/N/PE~240V 50-60Hz, V=3/PE~240V 50-60Hz, W=1/N/PE~100-110V 50-60Hz



05\_003\_e

## Spare parts

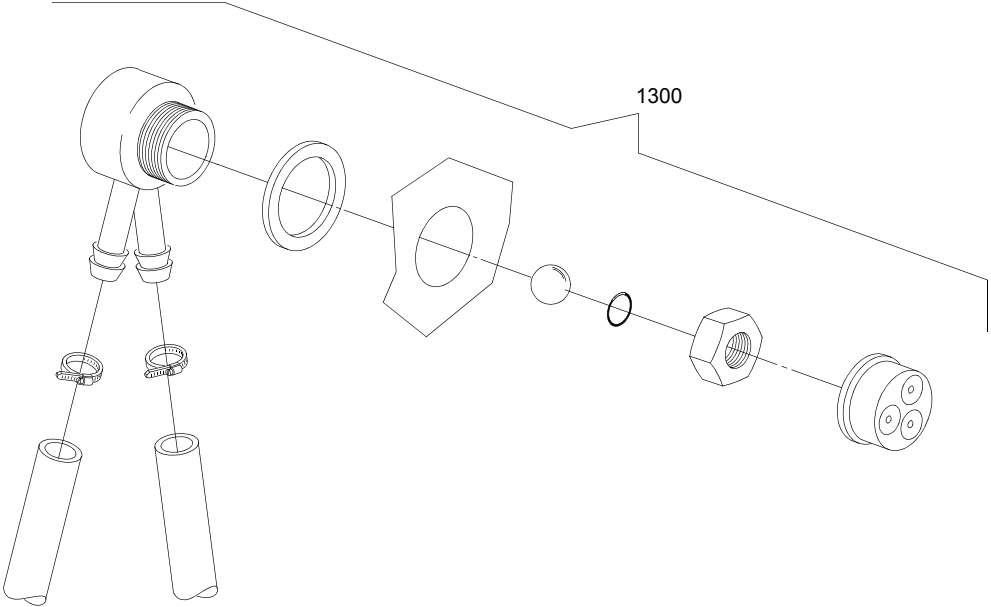
| ID                                 | P-code | SN from | SN to | Mod. | Acces. | Volt | Description                                      |
|------------------------------------|--------|---------|-------|------|--------|------|--|
| <b>Module:Solenoid valve group</b> |        |         |       |      |        |      |  |
| 810                                | 15098  |         | -     | em   | cr,ws  |      | Double solenoid valve - Ø10 - 220Vac             |
| 815                                | 15115  |         | -     | em   | cr,ws  |      | Green pression solenoid valve (minimum 2 pieces) |
| 820                                | N.C.   |         | -     | em   | cr,ws  |      | Pression reducing valve                          |
| 825                                | 15315  |         | -     |      | cr,ws  |      | Red pression reducing valve (minimum 2 pieces)   |

em=ELECTROMECHANICAL SWITCHES, lw=LOWER WASHING, uw=LOWER AND UPPER WASHING

AQU37=AQU37

dvgw=DVGW, cr=COLD RINSE, ws=WATER SOFTNER, dd=DETERGENT DISPENSER, dp=DRAIN PUMP

A=3/N/PE~380-400V 50-60Hz, D=3/PE~200-210V 50-60Hz, F=2/PE~220-240V 50-60Hz, G=3/N/PE~415V 50-60Hz, H=3/PE~220-230V 50-60Hz, K=3/PE~380-400V 50-60Hz, L=3/PE~415V 50-60Hz, M=3/PE~440V 60Hz, P=1/N/PE~220-230V 50-60Hz, R=2/PE~220-240V 50-60Hz, U=1/N/PE~240V 50-60Hz, V=3/PE~240V 50-60Hz, W=1/N/PE~100-110V 50-60Hz



08\_005\_e

## Spare parts

---

| ID                 | P-code    | SN from | SN to | Mod. | Acces. | Volt | Description   |
|--------------------|-----------|---------|-------|------|--------|------|---------------|
| <b>Module:DVGW</b> |           |         |       |      |        |      |               |
| 1300               | 999900006 |         | -     |      | dvgw   |      | DVGW assembly |

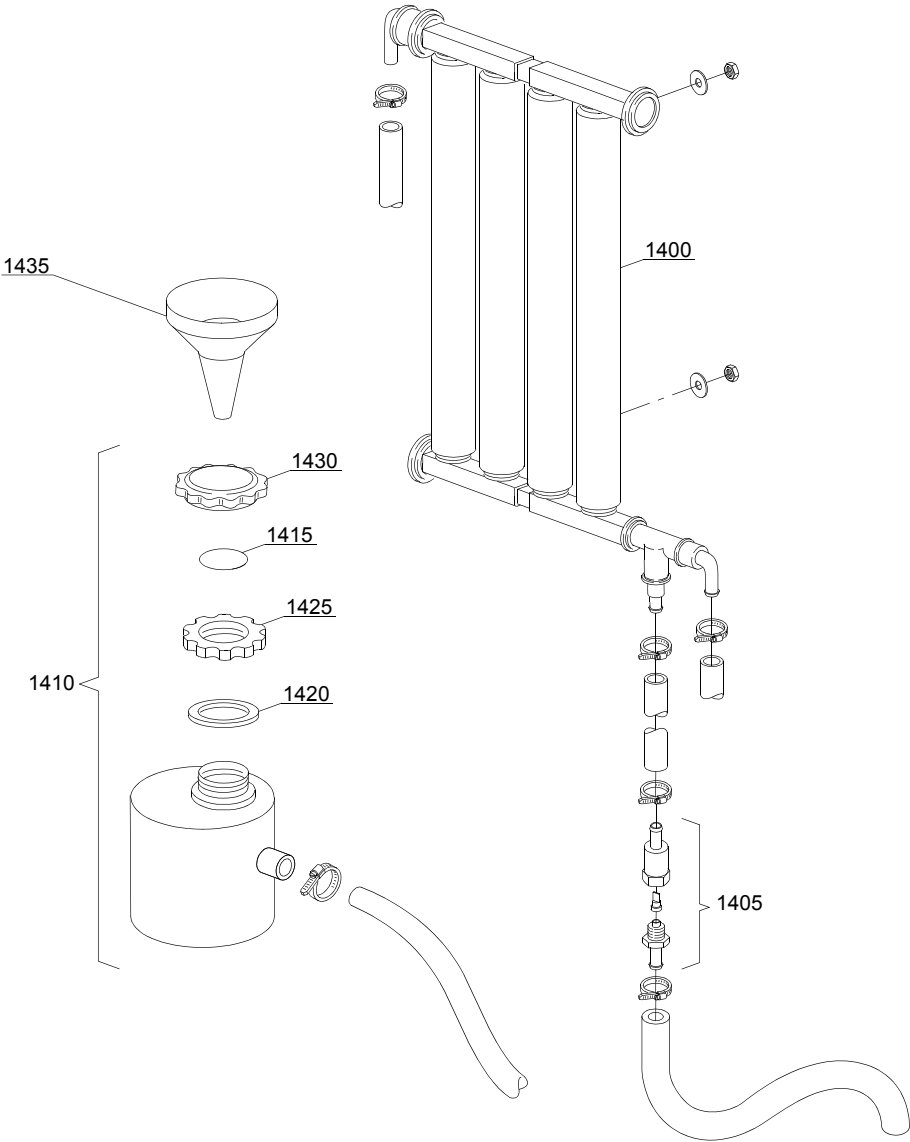
em=ELECTROMECHANICAL SWITCHES, lw=LOWER WASHING, uw=LOWER AND UPPER WASHING

AQU37=AQU37

dvgw=DVGW, cr=COLD RINSE, ws=WATER SOFTNER, dd=DETERGENT DISPENSER, dp=DRAIN PUMP

A=3/N/PE~380-400V 50-60Hz, D=3/PE~200-210V 50-60Hz, F=2/PE~220-240V 50-60Hz, G=3/N/PE~415V 50-60Hz, H=3/PE~220-230V 50-60Hz, K=3/PE~380-400V 50-60Hz, L=3/PE~415V 50-60Hz, M=3/PE~440V 60Hz, P=1/N/PE~220-230V 50-60Hz, R=2/PE~220-240V 50-60Hz, U=1/N/PE~240V 50-60Hz, V=3/PE~240V 50-60Hz, W=1/N/PE~100-110V 50-60Hz

09\_001\_e



## Spare parts

| ID                                 | P-code  | SN from | SN to | Mod. | Acces. | Volt | Description              |
|------------------------------------|---------|---------|-------|------|--------|------|--------------------------|
| <b>Module: Water softner group</b> |         |         |       |      |        |      |                          |
| 1400                               | 16066   |         | -     |      | ws     |      | 4 elements water softner |
| 1405                               | 16070   |         | -     |      | ws     |      | Nonreturn valve          |
| 1410                               | 16065   |         | -     |      | ws     |      | Salt container           |
| 1415                               | 16067/A |         | -     |      | ws     |      | OR O-ring                |
| 1420                               | 16067/B |         | -     |      | ws     |      | O-ring                   |
| 1425                               | 16067/C |         | -     |      | ws     |      | Ring nut                 |
| 1430                               | 16067/D |         | -     |      | ws     |      | Plug                     |
| 1435                               | 16082   |         | -     |      | ws     |      | Funnel                   |

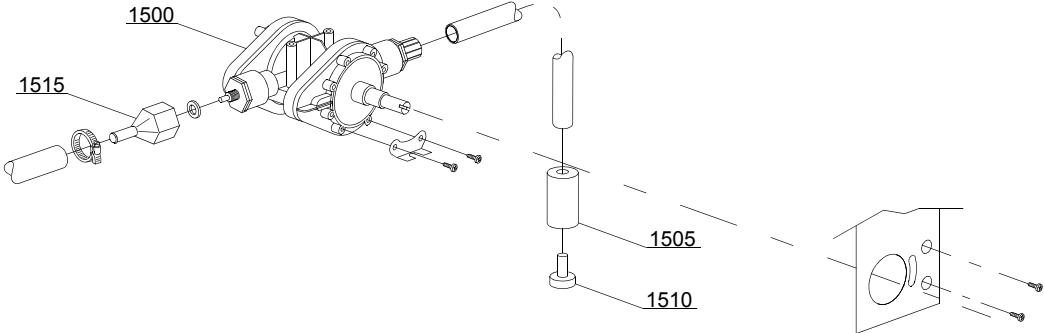
em=ELECTROMECHANICAL SWITCHES, lw=LOWER WASHING, uw=LOWER AND UPPER WASHING

AQU37=AQU37

dvgw=DVGW, cr=COLD RINSE, ws=WATER SOFTNER, dd=DETERGENT DISPENSER, dp=DRAIN PUMP

A=3/N/PE~380-400V 50-60Hz, D=3/PE~200-210V 50-60Hz, F=2/PE~220-240V 50-60Hz, G=3/N/PE~415V 50-60Hz, H=3/PE~220-230V 50-60Hz, K=3/PE~380-400V 50-60Hz, L=3/PE~415V 50-60Hz, M=3/PE~440V 60Hz, P=1/N/PE~220-230V 50-60Hz, R=2/PE~220-240V 50-60Hz, U=1/N/PE~240V 50-60Hz, V=3/PE~240V 50-60Hz, W=1/N/PE~100-110V 50-60Hz

10\_002\_e



## Spare parts

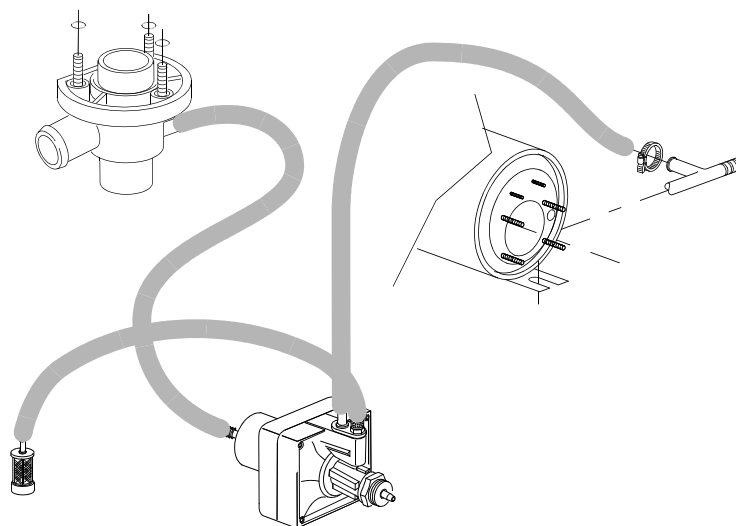
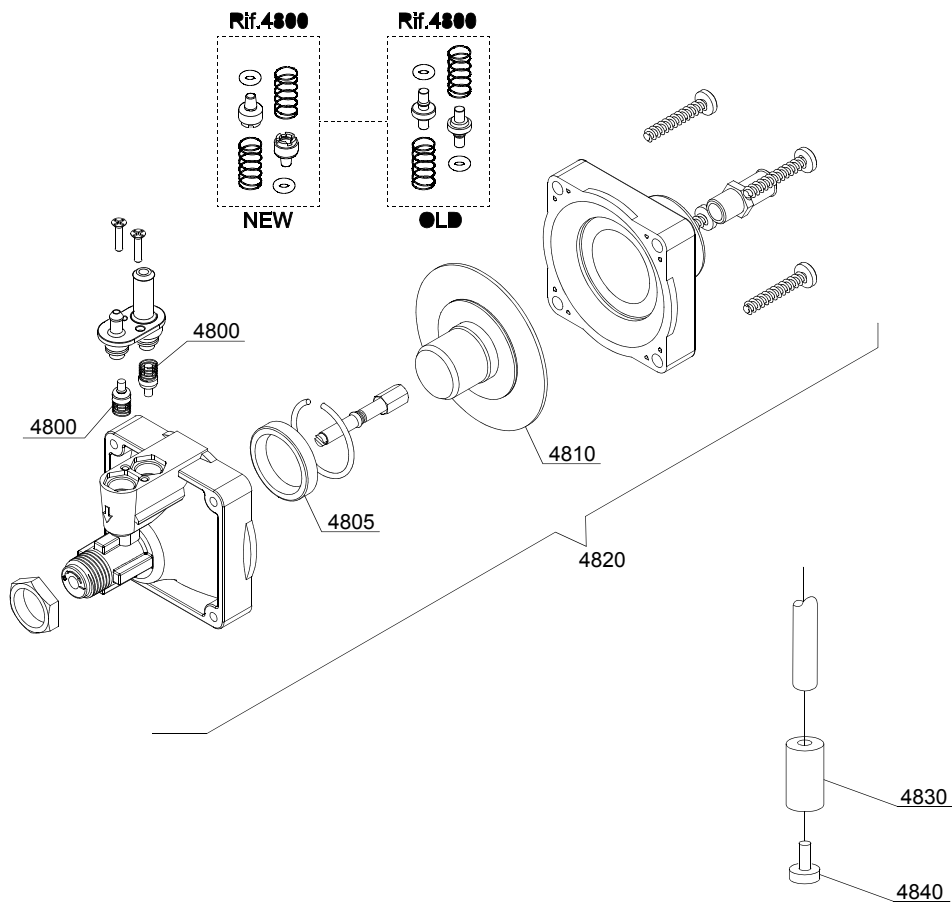
| ID                                       | P-code  | SN from | SN to | Mod. | Acces. | Volt | Description                     |
|--|---------|---------|-------|------|--------|------|---------------------------------|
| <b>Module: Rinse aid dispenser group</b> |         |         |       |      |        |      |                                 |
| 1500                                     | 10798   |         | -     |      |        |      | Rinse aid dispenser             |
| 1505                                     | 12525   |         | -     |      |        |      | Counter-weight                  |
| 1510                                     | 15058   |         | -     |      |        |      | Small filter (minimum 3 pieces) |
| 1515                                     | 10798/B |         | -     |      |        |      | Brass pipe fitting              |

em=ELECTROMECHANICAL SWITCHES, lw=LOWER WASHING, uw=LOWER AND UPPER WASHING

AQU37=AQU37

dvgw=DVGW, cr=COLD RINSE, ws=WATER SOFTNER, dd=DETERGENT DISPENSER, dp=DRAIN PUMP

A=3/N/PE~380-400V 50-60Hz, D=3/PE~200-210V 50-60Hz, F=2/PE~220-240V 50-60Hz, G=3/N/PE~415V 50-60Hz, H=3/PE~220-230V 50-60Hz, K=3/PE~380-400V 50-60Hz, L=3/PE~415V 50-60Hz, M=3/PE~440V 60Hz, P=1/N/PE~220-230V 50-60Hz, R=2/PE~220-240V 50-60Hz, U=1/N/PE~240V 50-60Hz, V=3/PE~240V 50-60Hz, W=1/N/PE~100-110V 50-60Hz



10\_004\_e

## Spare parts

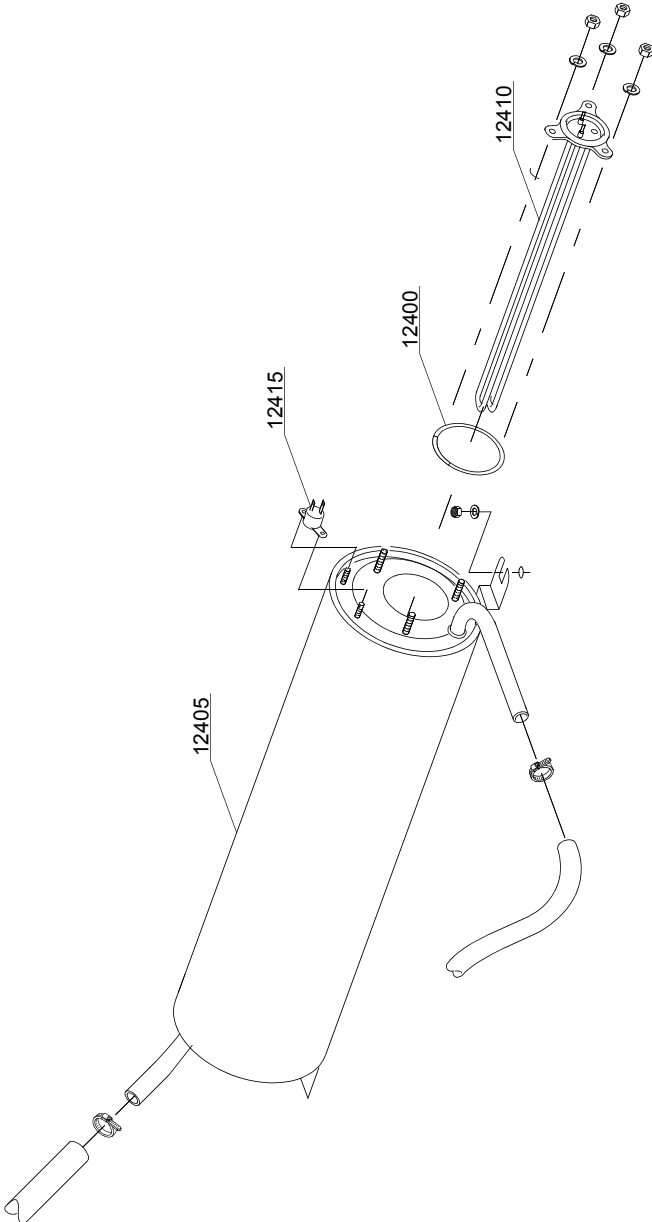
| ID                                       | P-code | SN from | SN to | Mod. | Acces. | Volt | Description                     |
|--|--------|---------|-------|------|--------|------|---------------------------------|
| <b>Module: Rinse aid dispenser group</b> |        |         |       |      |        |      |                                 |
| 4800                                     | 10805  |         | -     |      |        |      | Tecnopro non return valve       |
| 4805                                     | 10806  |         | -     |      |        |      | Ø22 O-ring                      |
| 4810                                     | 10807  |         | -     |      |        |      | Membrane                        |
| 4820                                     | 10799  |         | -     |      |        |      | Rinse aid dispenser             |
| 4830                                     | 12525  |         | -     |      |        |      | Counter-weight                  |
| 4840                                     | 15058  |         | -     |      |        |      | Small filter (minimum 3 pieces) |

em=ELECTROMECHANICAL SWITCHES, lw=LOWER WASHING, uw=LOWER AND UPPER WASHING

AQU37=AQU37

dvgw=DVGW, cr=COLD RINSE, ws=WATER SOFTNER, dd=DETERGENT DISPENSER, dp=DRAIN PUMP

A=3/N/PE~380-400V 50-60Hz, D=3/PE~200-210V 50-60Hz, F=2/PE~220-240V 50-60Hz, G=3/N/PE~415V 50-60Hz, H=3/PE~220-230V 50-60Hz, K=3/PE~380-400V 50-60Hz, L=3/PE~415V 50-60Hz, M=3/PE~440V 60Hz, P=1/N/PE~220-230V 50-60Hz, R=2/PE~220-240V 50-60Hz, U=1/N/PE~240V 50-60Hz, V=3/PE~240V 50-60Hz, W=1/N/PE~100-110V 50-60Hz



11\_007\_e

## Spare parts

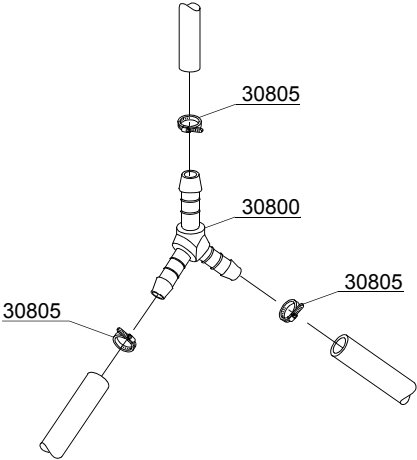
| ID                         | P-code | SN from | SN to | Mod. | Acces. | Volt | Description                         |
|----------------------------|--------|---------|-------|------|--------|------|-------------------------------------|
| <b>Module:Boiler group</b> |        |         |       |      |        |      |                                     |
| 12400                      | 13010  |         | -     |      |        |      | OR O-ring (minimum 5 pieces)        |
| 12405                      | 135905 |         | -     |      |        |      | Boiler                              |
| 12410                      | 18206  |         | -     |      |        |      | 2,4/2,61KW 230/240V heating element |
| 12415                      | 15550  |         | -     |      |        |      | Safety thermostat                   |

em=ELECTROMECHANICAL SWITCHES, lw=LOWER WASHING, uw=LOWER AND UPPER WASHING

AQU37=AQU37

dvgw=DVGW, cr=COLD RINSE, ws=WATER SOFTNER, dd=DETERGENT DISPENSER, dp=DRAIN PUMP

A=3/N/PE~380-400V 50-60Hz, D=3/PE~200-210V 50-60Hz, F=2/PE~220-240V 50-60Hz, G=3/N/PE~415V 50-60Hz, H=3/PE~220-230V 50-60Hz, K=3/PE~380-400V 50-60Hz, L=3/PE~415V 50-60Hz, M=3/PE~440V 60Hz, P=1/N/PE~220-230V 50-60Hz, R=2/PE~220-240V 50-60Hz, U=1/N/PE~240V 50-60Hz, V=3/PE~240V 50-60Hz, W=1/N/PE~100-110V 50-60Hz



12\_003ae

## Spare parts

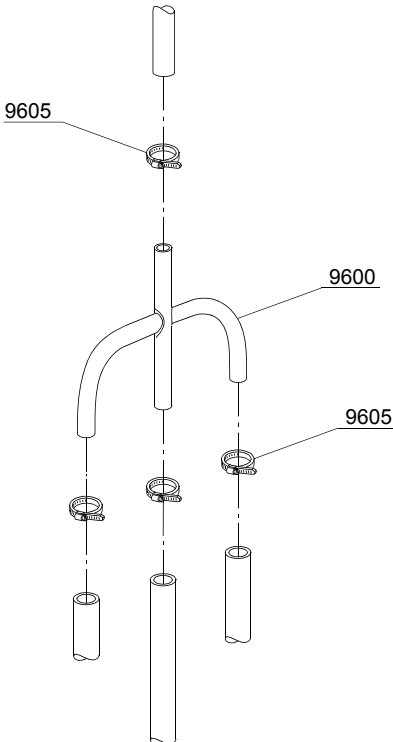
| ID                              | P-code | SN from | SN to | Mod. | Acces. | Volt | Description                      |
|---------------------------------|--------|---------|-------|------|--------|------|----------------------------------|
| <b>Module:3 ways connection</b> |        |         |       |      |        |      |                                  |
| 30800                           | 540090 |         | -     |      |        |      | Ø10 mm plastic 3 ways connection |
| 30805                           | 11807  |         | -     | em   |        |      | 12/22 clamp (minimum 3 pieces)   |

em=ELECTROMECHANICAL SWITCHES, lw=LOWER WASHING, uw=LOWER AND UPPER WASHING

AQU37=AQU37

dvgw=DVGW, cr=COLD RINSE, ws=WATER SOFTNER, dd=DETERGENT DISPENSER, dp=DRAIN PUMP

A=3/N/PE~380-400V 50-60Hz, D=3/PE~200-210V 50-60Hz, F=2/PE~220-240V 50-60Hz, G=3/N/PE~415V 50-60Hz, H=3/PE~220-230V 50-60Hz, K=3/PE~380-400V 50-60Hz, L=3/PE~415V 50-60Hz, M=3/PE~440V 60Hz, P=1/N/PE~220-230V 50-60Hz, R=2/PE~220-240V 50-60Hz, U=1/N/PE~240V 50-60Hz, V=3/PE~240V 50-60Hz, W=1/N/PE~100-110V 50-60Hz



12\_004\_e

## Spare parts

---

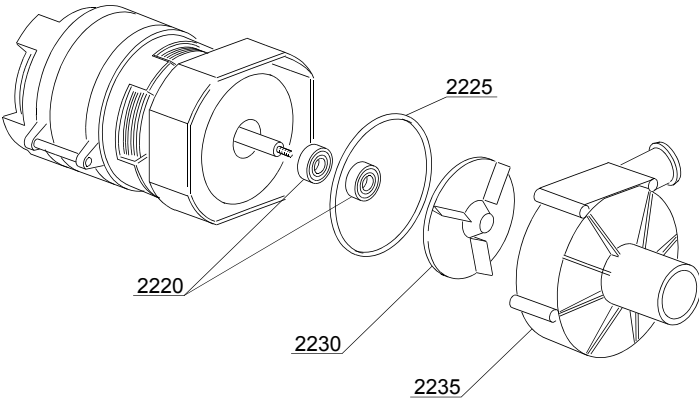
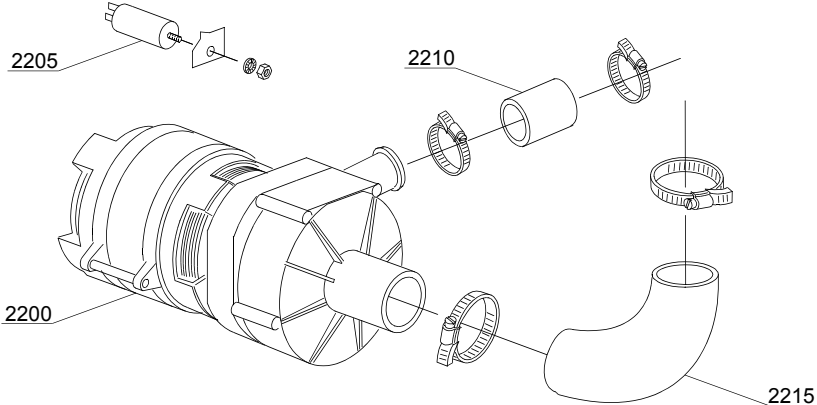
| ID                              | P-code | SN from | SN to | Mod. | Acces. | Volt | Description                    |
|---------------------------------|--------|---------|-------|------|--------|------|--------------------------------|
| <b>Module:4 ways connection</b> |        |         |       |      |        |      |                                |
| 9600                            | 15151  |         | -     | em   | cr     |      | Ø10 mm 4 ways connection       |
| 9605                            | 11807  |         | -     | em   | cr     |      | 12/22 clamp (minimum 3 pieces) |

em=ELECTROMECHANICAL SWITCHES, lw=LOWER WASHING, uw=LOWER AND UPPER WASHING

AQU37=AQU37

dvgw=DVGW, cr=COLD RINSE, ws=WATER SOFTNER, dd=DETERGENT DISPENSER, dp=DRAIN PUMP

A=3/N/PE~380-400V 50-60Hz, D=3/PE~200-210V 50-60Hz, F=2/PE~220-240V 50-60Hz, G=3/N/PE~415V 50-60Hz, H=3/PE~220-230V 50-60Hz, K=3/PE~380-400V 50-60Hz, L=3/PE~415V 50-60Hz, M=3/PE~440V 60Hz, P=1/N/PE~220-230V 50-60Hz, R=2/PE~220-240V 50-60Hz, U=1/N/PE~240V 50-60Hz, V=3/PE~240V 50-60Hz, W=1/N/PE~100-110V 50-60Hz



13\_002\_e

## Spare parts

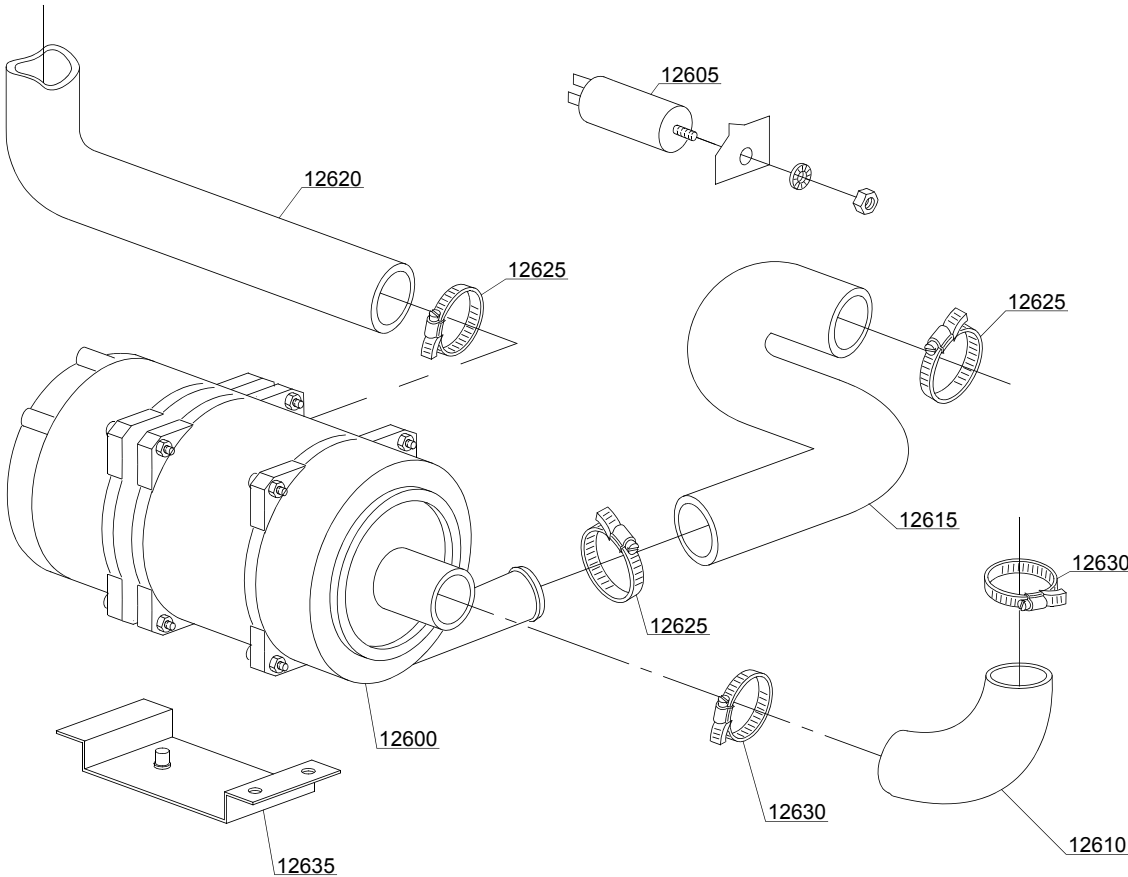
| ID                       | P-code  | SN from | SN to | Mod. | Acces. | Volt | Description                   |
|--------------------------|---------|---------|-------|------|--------|------|-------------------------------|
| <b>Module: Wash pump</b> |         |         |       |      |        |      |                               |
| 2200                     | 10501/A |         | -     | lw   |        |      | 0,10 Hp wash pump - 230V 50Hz |
| 2205                     | 10702   |         | -     | lw   |        |      | 5 uF condenser                |
| 2210                     | 10718   |         | -     | lw   |        |      | Pump pipe coupling            |
| 2215                     | 18787   |         | -     | lw   |        |      | Suction pipe coupling         |
| 2220                     | 10505   |         | -     | lw   |        |      | Pump shaft O-rings            |
| 2225                     | 10506   |         | -     | lw   |        |      | 79,8x2,6 OR O-ring            |
| 2230                     | 10504   |         | -     | lw   |        |      | Pump rotor                    |
| 2235                     | 10502   |         | -     | lw   |        |      | Scroll                        |

em=ELECTROMECHANICAL SWITCHES, lw=LOWER WASHING, uw=LOWER AND UPPER WASHING

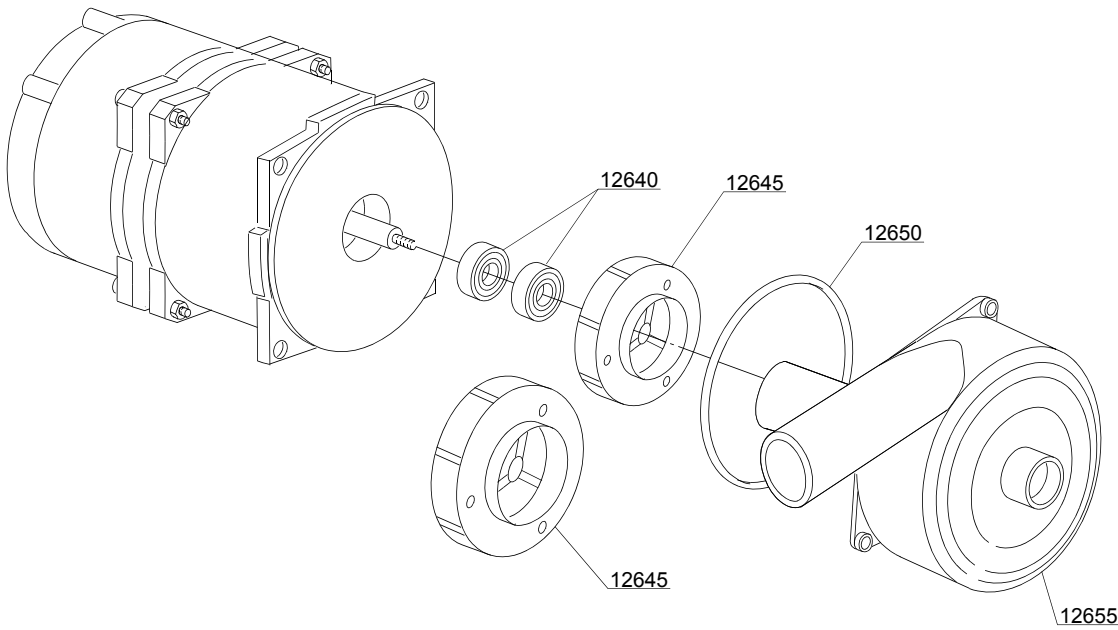
AQU37=AQU37

dygw=DVGW, cr=COLD RINSE, ws=WATER SOFTNER, dd=DETERGENT DISPENSER, dp=DRAIN PUMP

A=3/N/PE~380-400V 50-60Hz, D=3/PE~200-210V 50-60Hz, F=2/PE~220-240V 50-60Hz, G=3/N/PE~415V 50-60Hz, H=3/PE~220-230V 50-60Hz, K=3/PE~380-400V 50-60Hz, L=3/PE~415V 50-60Hz, M=3/PE~440V 60Hz, P=1/N/PE~220-230V 50-60Hz, R=2/PE~220-240V 50-60Hz, U=1/N/PE~240V 50-60Hz, V=3/PE~240V 50-60Hz, W=1/N/PE~100-110V 50-60Hz



13\_109\_e



## Spare parts

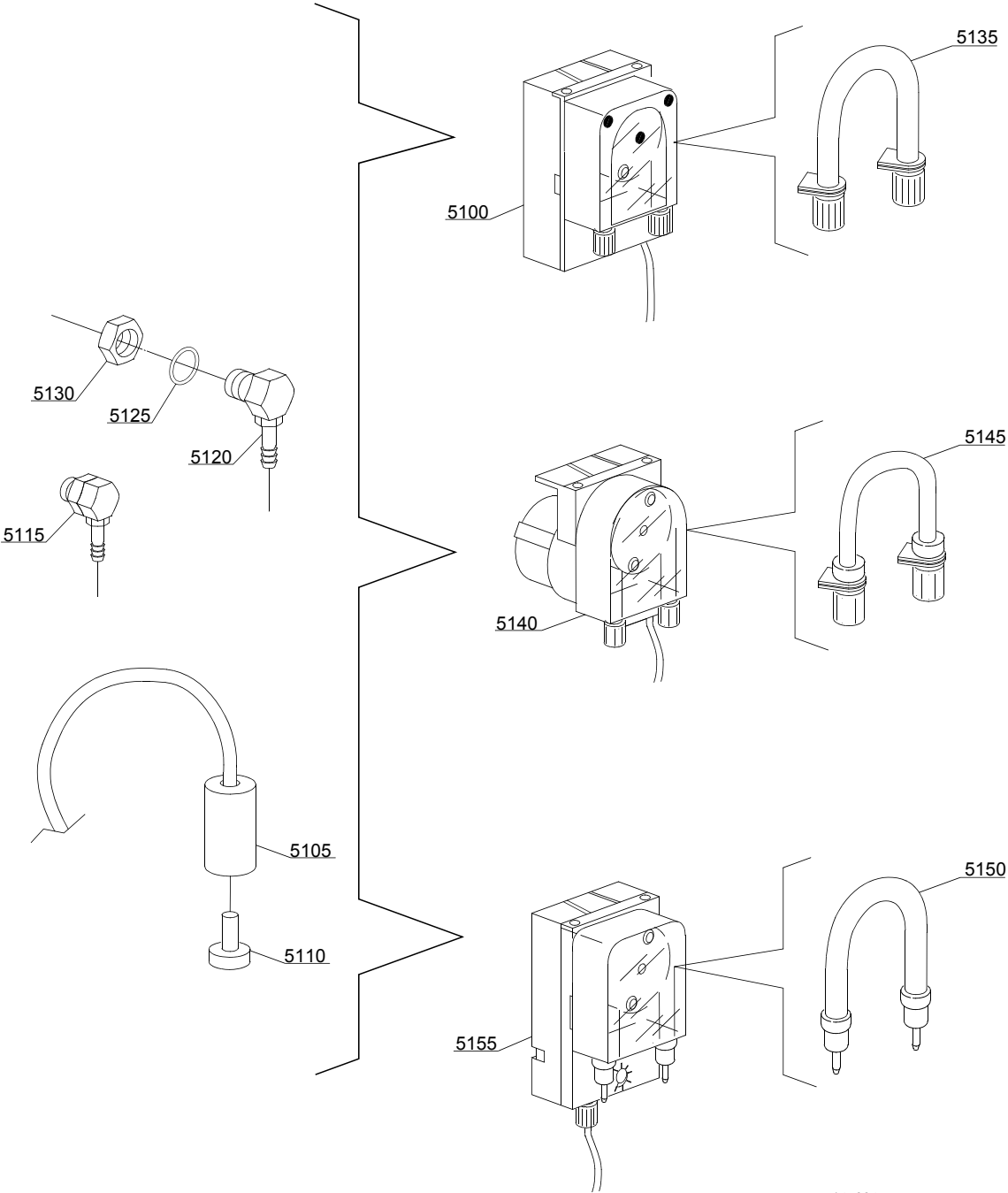
| ID                       | P-code  | SN from | SN to | Mod. | Acces. | Volt | Description                                |
|--------------------------|---------|---------|-------|------|--------|------|--|
| <b>Module: Wash pump</b> |         |         |       |      |        |      |  |
| 12600                    | 18242/B |         | -     | uw   |        |      | 0,30Hp wash pump - 220V                    |
| 12600                    | 260050  |         | -     |      |        |      | 0,30Hp wash pump - 230V                    |
| 12605                    | 16043   |         | -     | uw   |        |      | 8 uF condenser                             |
| 12610                    | 18787   |         | -     | uw   |        |      | Suction pipe coupling                      |
| 12615                    | 16167   |         | -     | uw   |        |      | Lower wash delivery pipe:part of wash ramp |
| 12620                    | 16167   |         | -     | uw   |        |      | Wash ramp                                  |
| 12625                    | 11806   |         | -     | uw   |        |      | 25/40 clamp (minimum 2 pieces)             |
| 12630                    | 11809   |         | -     | uw   |        |      | 30/45 clamp (minimum 2 pieces)             |
| 12635                    | 440122  |         | -     | uw   |        |      | Pump support                               |
| 12640                    | 15080   |         | -     | uw   |        |      | Rotating seals                             |
| 12645                    | 18259   |         | -     | uw   |        |      | 0,33 Hp Pump rotor Ø 80                    |
| 12645                    | 18253   |         | -     | uw   |        |      | 0,45 Hp Pump rotor Ø 86                    |
| 12650                    | 18245   |         | -     | uw   |        |      | OR O-ring                                  |
| 12655                    | 18247   |         | -     | uw   |        |      | Scroll                                     |

em=ELECTROMECHANICAL SWITCHES, lw=LOWER WASHING, uw=LOWER AND UPPER WASHING

AQU37=AQU37

dvgw=DVGW, cr=COLD RINSE, ws=WATER SOFTNER, dd=DETERGENT DISPENSER, dp=DRAIN PUMP

A=3/N/PE~380-400V 50-60Hz, D=3/PE~200-210V 50-60Hz, F=2/PE~220-240V 50-60Hz, G=3/N/PE~415V 50-60Hz, H=3/PE~220-230V 50-60Hz, K=3/PE~380-400V 50-60Hz, L=3/PE~415V 50-60Hz, M=3/PE~440V 60Hz, P=1/N/PE~220-230V 50-60Hz, R=2/PE~220-240V 50-60Hz, U=1/N/PE~240V 50-60Hz, V=3/PE~240V 50-60Hz, W=1/N/PE~100-110V 50-60Hz



14\_004\_e

## Spare parts

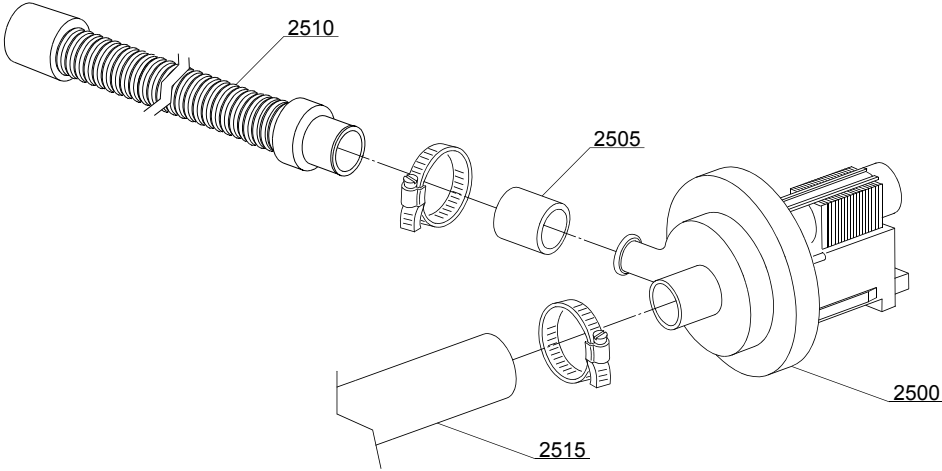
| ID                                   | P-code   | SN from | SN to | Mod. | Acces. | Volt | Description                                  |
|--------------------------------------|----------|---------|-------|------|--------|------|--|
| <b>Module:Dosing detergent group</b> |          |         |       |      |        |      |  |
| 5100                                 | 15985    |         | -     | em   | dd     |      | Seko detergent pump                          |
| 5105                                 | 12525    |         | -     | em   | dd     |      | Counter-weight                               |
| 5110                                 | 15058    |         | -     | em   | dd     |      | Small filter (minimum 3 pieces)              |
| 5115                                 | 15123    |         | -     | em   | dd     |      | Complet plastic injector                     |
| 5120                                 | 15148    |         | -     | em   | dd     |      | Steel injector                               |
| 5125                                 | 15159    |         | -     | em   | dd     |      | OR O-ring (minimum 2 pieces)                 |
| 5130                                 | 10200205 |         | -     | em   | dd     |      | M12x1 stainless steel nut (minimum 2 pieces) |
| 5135                                 | 15185    |         | -     | em   | dd     |      | Seko thermoplastic pipe                      |
| 5140                                 | 15985    |         | -     | em   | dd     |      | Germac detergent pump                        |
| 5145                                 | 15108/E  |         | -     | em   | dd     |      | Germac thermoplastic pipe                    |
| 5150                                 | 15985/A  |         | -     | em   | dd     |      | Plas Cont thermoplastic pipe                 |
| 5155                                 | 15985    |         | -     | em   | dd     |      | Plas Cont detergent pump                     |

em=ELECTROMECHANICAL SWITCHES, lw=LOWER WASHING, uw=LOWER AND UPPER WASHING

AQU37=AQU37

dvgw=DVGW, cr=COLD RINSE, ws=WATER SOFTNER, dd=DETERGENT DISPENSER, dp=DRAIN PUMP

A=3/N/PE~380-400V 50-60Hz, D=3/PE~200-210V 50-60Hz, F=2/PE~220-240V 50-60Hz, G=3/N/PE~415V 50-60Hz, H=3/PE~220-230V 50-60Hz, K=3/PE~380-400V 50-60Hz, L=3/PE~415V 50-60Hz, M=3/PE~440V 60Hz, P=1/N/PE~220-230V 50-60Hz, R=2/PE~220-240V 50-60Hz, U=1/N/PE~240V 50-60Hz, V=3/PE~240V 50-60Hz, W=1/N/PE~100-110V 50-60Hz



15\_004\_e

## Spare parts

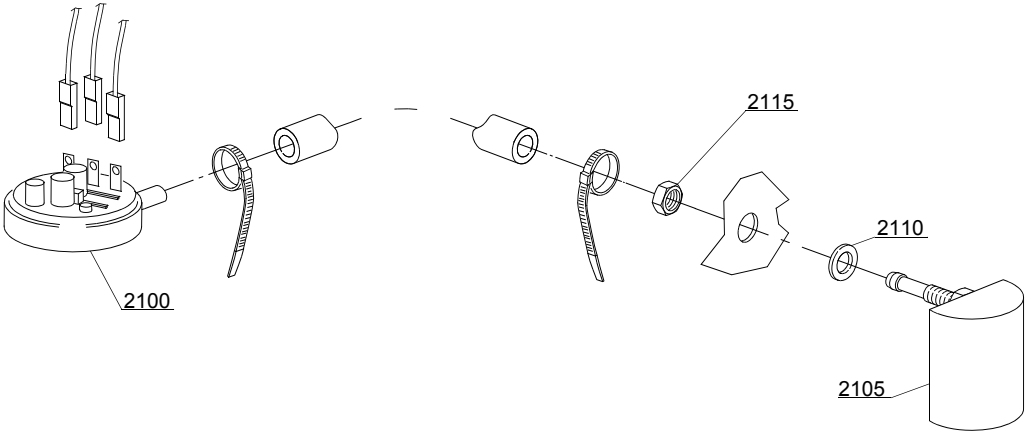
| ID                              | P-code  | SN from | SN to | Mod. | Acces. | Volt | Description                      |
|---------------------------------|---------|---------|-------|------|--------|------|----------------------------------|
| <b>Module: Drain pump group</b> |         |         |       |      |        |      |                                  |
| 2500                            | 15101   |         | -     |      | dp     |      | Drain pump 220/240V 50Hz         |
| 2505                            | 15101/D |         | -     |      | dp     |      | Pipe fitting (minimum 3 pieces)  |
| 2510                            | 10727   |         | -     |      | dp     |      | Drain pipe                       |
| 2515                            | 18787/A |         | -     |      | dp     |      | Drain coude/pump connection pipe |

em=ELECTROMECHANICAL SWITCHES, lw=LOWER WASHING, uw=LOWER AND UPPER WASHING

AQU37=AQU37

dvgw=DVGW, cr=COLD RINSE, ws=WATER SOFTNER, dd=DETERGENT DISPENSER, dp=DRAIN PUMP

A=3/N/PE~380-400V 50-60Hz, D=3/PE~200-210V 50-60Hz, F=2/PE~220-240V 50-60Hz, G=3/N/PE~415V 50-60Hz, H=3/PE~220-230V 50-60Hz, K=3/PE~380-400V 50-60Hz, L=3/PE~415V 50-60Hz, M=3/PE~440V 60Hz, P=1/N/PE~220-230V 50-60Hz, R=2/PE~220-240V 50-60Hz, U=1/N/PE~240V 50-60Hz, V=3/PE~240V 50-60Hz, W=1/N/PE~100-110V 50-60Hz



16\_001\_e

## Spare parts

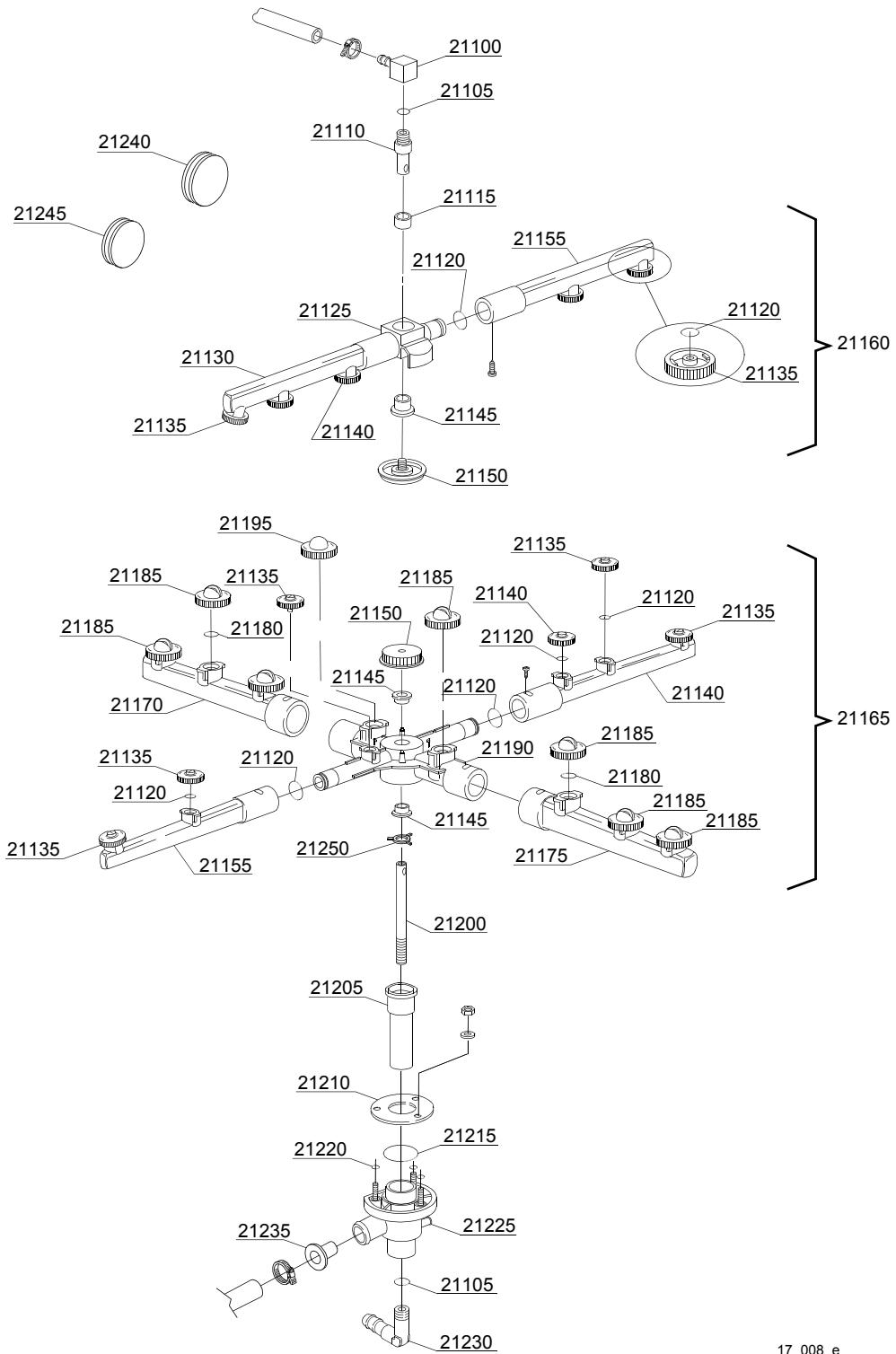
| ID  | P-code   | SN from | SN to | Mod. | Acces. | Volt | Description                                |
|---|----------|---------|-------|------|--------|------|--|
| <b>Module:Pressure switch group with air trap</b> |          |         |       |      |        |      |  |
| 2100  | 10706/A  |         | -     | em   |        |      | 47-27 pressure switch                      |
| 2105  | 135911/D |         | -     | em   |        |      | Grey air trap assembly                     |
| 2110  | 13301    |         | -     | em   |        |      | O-ring (minimum 10 pieces)                 |
| 2115  | 11702    |         | -     | em   |        |      | M8 stainless steel nut (minimum 10 pieces) |

em=ELECTROMECHANICAL SWITCHES, lw=LOWER WASHING, uw=LOWER AND UPPER WASHING

AQU37=AQU37

dvgw=DVGW, cr=COLD RINSE, ws=WATER SOFTNER, dd=DETERGENT DISPENSER, dp=DRAIN PUMP

A=3/N/PE~380-400V 50-60Hz, D=3/PE~200-210V 50-60Hz, F=2/PE~220-240V 50-60Hz, G=3/N/PE~415V 50-60Hz, H=3/PE~220-230V 50-60Hz, K=3/PE~380-400V 50-60Hz, L=3/PE~415V 50-60Hz, M=3/PE~440V 60Hz, P=1/N/PE~220-230V 50-60Hz, R=2/PE~220-240V 50-60Hz, U=1/N/PE~240V 50-60Hz, V=3/PE~240V 50-60Hz, W=1/N/PE~100-110V 50-60Hz



17\_008\_e

## Spare parts

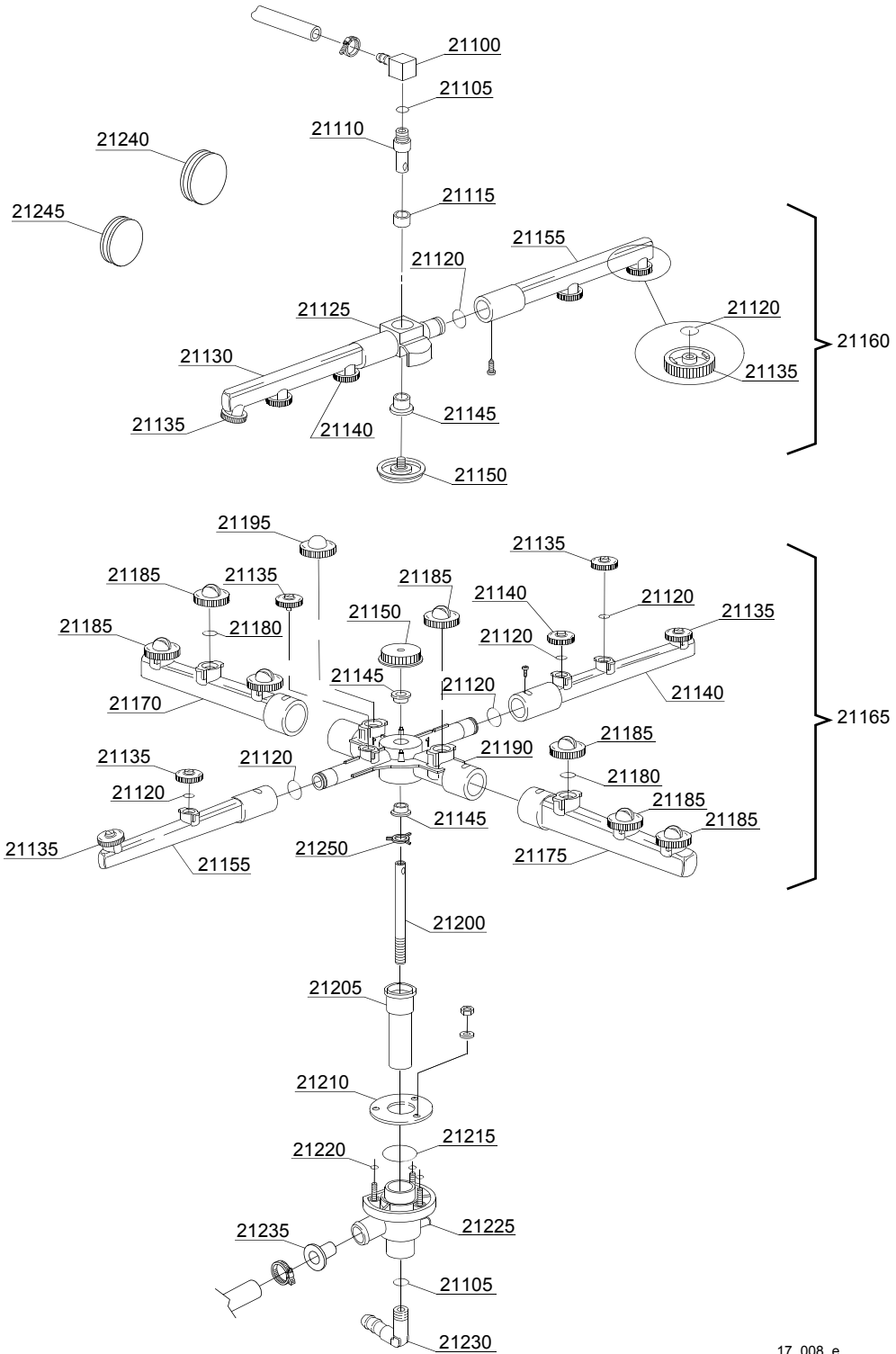
| ID  | P-code  | SN from | SN to | Mod. | Acces. | Volt | Description                                 |
|---|---------|---------|-------|------|--------|------|---|
| <b>Module:Turret group with rotating arms</b> |         |         |       |      |        |      |   |
| 21100   | 350402  |         | -     | lw   |        |      | Top turret rinse hub                        |
| 21105   | 13003   |         | -     | lw   |        |      | OR 112 NBR O-ring (minimum 10 pieces)       |
| 21110   | 350401  |         | -     | lw   |        |      | Lower axle rinse hub                        |
| 21115   | 13320   |         | -     | lw   |        |      | Sliding washer (minimum 3 pieces)           |
| 21120   | 13002   |         | -     | lw   |        |      | OR R6 NBR O-ring (minimum 10 pieces)        |
| 21125   | 10373   |         | -     | lw   |        |      | Rinse rotor                                 |
| 21130   | 10375   |         | -     | lw   |        |      | Left rinse pipe                             |
| 21135   | 10371   |         | -     | lw   |        |      | Opened head rinse nozzle (minimum 5 pieces) |
| 21140   | 10372   |         | -     | lw   |        |      | Closed head rinse nozzle (minimum 2 pieces) |
| 21145   | 13319   |         | -     | lw   |        |      | Sliding washer (minimum 2 pieces)           |
| 21150   | 10377   |         | -     | lw   |        |      | Handle with insert                          |
| 21155   | 10374   |         | -     | lw   |        |      | Right rinse pipe                            |
| 21160   | 10997   |         | -     | lw   |        |      | Top rinse group                             |
| 21165   | 10999   |         | -     | lw   |        |      | Lower wash/rinse group                      |
| 21170   | 10367   |         | -     | lw   |        |      | Right wash pipe                             |
| 21175   | 10368   |         | -     | lw   |        |      | Left wash pipe                              |
| 21180   | 13009   |         | -     | lw   |        |      | OR 2050 NBR O-ring (minimum 40 pieces)      |
| 21185   | 10369   |         | -     | lw   |        |      | Opened head wash nozzle (minimum 2 pieces)  |
| 21190   | 10376   |         | -     | lw   |        |      | Wash rotor                                  |
| 21195   | 10370   |         | -     | lw   |        |      | Closed head wash nozzle (minimum 2 pieces)  |
| 21200   | 135101  |         | -     | lw   |        |      | 10x1x190 stainless steel ground axle        |
| 21205   | 135250  |         | -     | lw   |        |      | Bell-shape assembly with pipe coupling      |
| 21215   | 13000   |         | -     | lw   |        |      | OR 3125 NBR O-ring (minimum 5 pieces)       |
| 21220   | 13001   |         | -     | lw   |        |      | OR 104 NBR O-ring (minimum 10 pieces)       |
| 21225   | 10205/B |         | -     | lw   |        |      | Lower wash turret                           |
| 21230   | 12030   |         | -     | lw   |        |      | 3/8M Ø12 elbow pipe fitting                 |
| 21240   | 13316/A |         | -     | lw   |        |      | DVGW hole O-ring                            |
| 21245   | 13316   |         | -     | lw   |        |      | 43x10 blind O-ring                          |

em=ELECTROMECHANICAL SWITCHES, lw=LOWER WASHING, uw=LOWER AND UPPER WASHING

AQU37=AQU37

dvgw=DVGW, cr=COLD RINSE, ws=WATER SOFTNER, dd=DETERGENT DISPENSER, dp=DRAIN PUMP

A=3/N/PE~380-400V 50-60Hz, D=3/PE~200-210V 50-60Hz, F=2/PE~220-240V 50-60Hz, G=3/N/PE~415V 50-60Hz, H=3/PE~220-230V 50-60Hz, K=3/PE~380-400V 50-60Hz, L=3/PE~415V 50-60Hz, M=3/PE~440V 60Hz, P=1/N/PE~220-230V 50-60Hz, R=2/PE~220-240V 50-60Hz, U=1/N/PE~240V 50-60Hz, V=3/PE~240V 50-60Hz, W=1/N/PE~100-110V 50-60Hz



17\_008\_e

## Spare parts

---

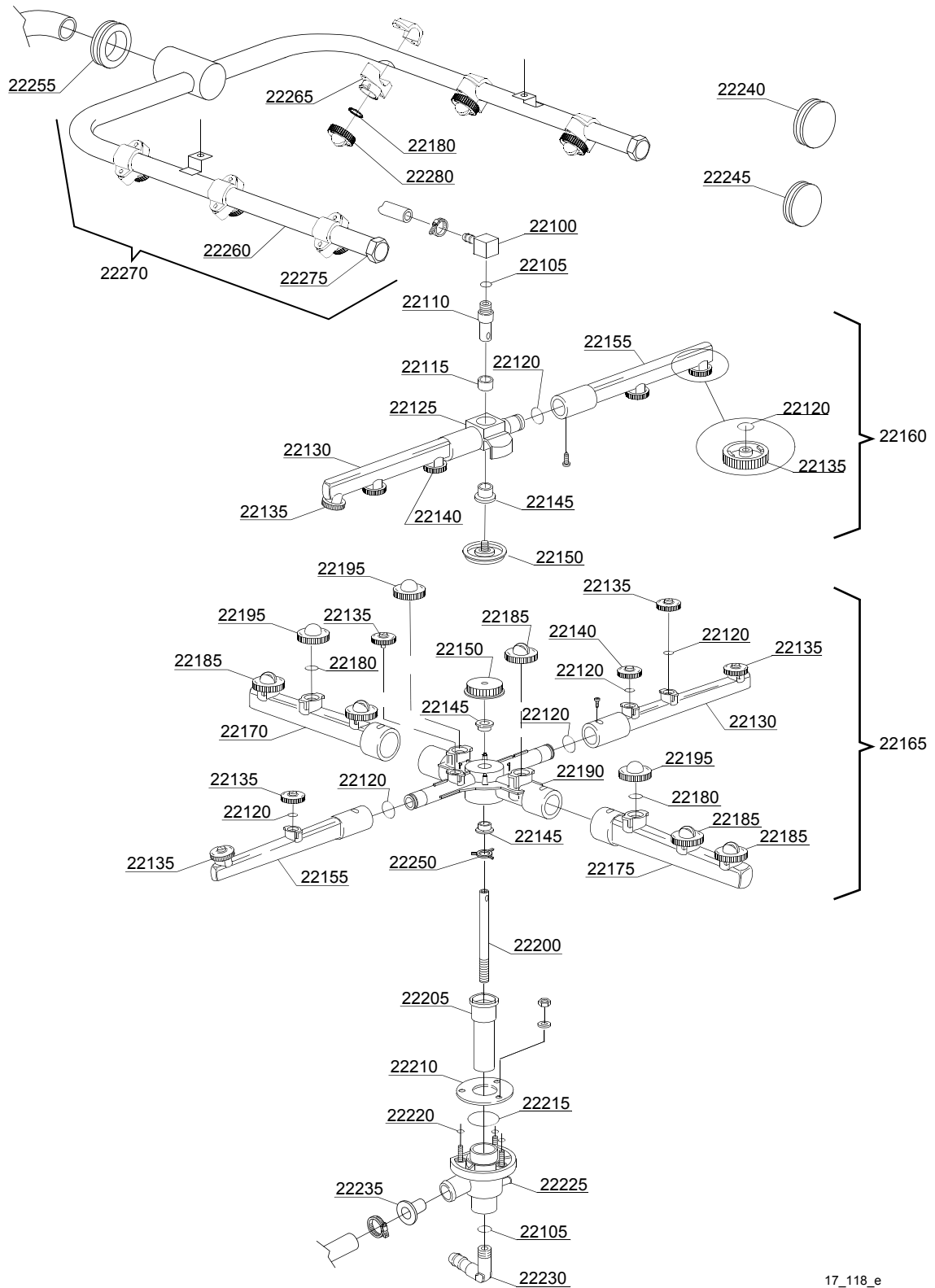
| ID  | P-code | SN from | SN to | Mod. | Acces. | Volt | Description |
|---|--------|---------|-------|------|--------|------|-------------|
| <b>Module:Turret group with rotating arms</b> |        |         |       |      |        |      |             |
| 21250   | 10203  |         | -     | lw   |        |      | Guide pipe  |

em=ELECTROMECHANICAL SWITCHES, lw=LOWER WASHING, uw=LOWER AND UPPER WASHING

AQU37=AQU37

dvgw=DVGW, cr=COLD RINSE, ws=WATER SOFTNER, dd=DETERGENT DISPENSER, dp=DRAIN PUMP

A=3/N/PE~380-400V 50-60Hz, D=3/PE~200-210V 50-60Hz, F=2/PE~220-240V 50-60Hz, G=3/N/PE~415V 50-60Hz,  
H=3/PE~220-230V 50-60Hz, K=3/PE~380-400V 50-60Hz, L=3/PE~415V 50-60Hz, M=3/PE~440V 60Hz, P=1/N/PE~220-  
230V 50-60Hz, R=2/PE~220-240V 50-60Hz, U=1/N/PE~240V 50-60Hz, V=3/PE~240V 50-60Hz, W=1/N/PE~100-110V  
50-60Hz



17\_118\_e

## Spare parts

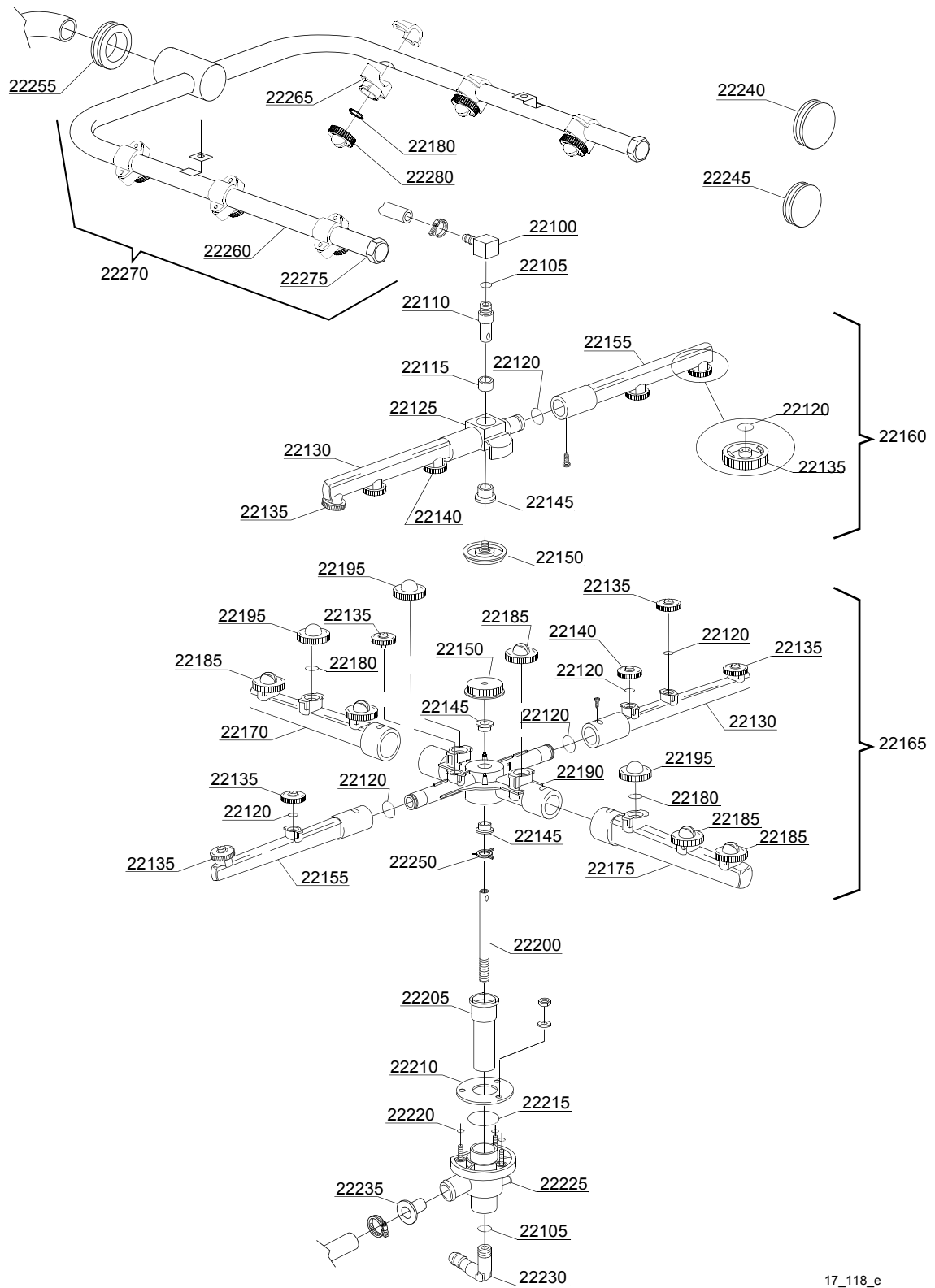
| ID  | P-code  | SN from | SN to | Mod. | Acces. | Volt | Description                                 |
|---|---------|---------|-------|------|--------|------|---|
| <b>Module:Turret group with rotating arms</b> |         |         |       |      |        |      |   |
| 22100   | 350402  |         | -     | uw   |        |      | Top turret rinse hub                        |
| 22105   | 13003   |         | -     | uw   |        |      | OR 112 NBR O-ring (minimum 10 pieces)       |
| 22110   | 350401  |         | -     | uw   |        |      | Lower axle rinse hub                        |
| 22115   | 13320   |         | -     | uw   |        |      | Sliding washer (minimum 3 pieces)           |
| 22120   | 13002   |         | -     | uw   |        |      | OR R6 NBR O-ring (minimum 10 pieces)        |
| 22125   | 10373   |         | -     | uw   |        |      | Rinse rotor                                 |
| 22130   | 10375   |         | -     | uw   |        |      | Left rinse pipe                             |
| 22135   | 10371   |         | -     | uw   |        |      | Opened head rinse nozzle (minimum 5 pieces) |
| 22140   | 10372   |         | -     | uw   |        |      | Closed head rinse nozzle (minimum 2 pieces) |
| 22150   | 10377   |         | -     | uw   |        |      | Handle with insert                          |
| 22155   | 10374   |         | -     | uw   |        |      | Right rinse pipe                            |
| 22160   | 10997   |         | -     | uw   |        |      | Top rinse group                             |
| 22165   | 18996   |         | -     | uw   |        |      | Lower wash/rinse group                      |
| 22170   | 10367   |         | -     | uw   |        |      | Right wash pipe                             |
| 22175   | 10368   |         | -     | uw   |        |      | Left wash pipe                              |
| 22180   | 13009   |         | -     | uw   |        |      | OR 2050 NBR O-ring (minimum 40 pieces)      |
| 22185   | 10378   |         | -     | uw   |        |      | Opened head wash nozzle (minimum 2 pieces)  |
| 22190   | 10376   |         | -     | uw   |        |      | Wash rotor                                  |
| 22195   | 10370   |         | -     | uw   |        |      | Closed head wash nozzle (minimum 2 pieces)  |
| 22200   | 135101  |         | -     | uw   |        |      | 10x1x190 stainless steel ground axle        |
| 22205   | 135250  |         | -     | uw   |        |      | Bell-shape assembly with pipe coupling      |
| 22210   | 16038   |         | -     | uw   |        |      | Ø60 stainless steel disk                    |
| 22215   | 13000   |         | -     | uw   |        |      | OR 3125 NBR O-ring (minimum 5 pieces)       |
| 22220   | 13001   |         | -     | uw   |        |      | OR 104 NBR O-ring (minimum 10 pieces)       |
| 22225   | 10205/B |         | -     | uw   |        |      | Lower wash turret                           |
| 22230   | 12030   |         | -     | uw   |        |      | 3/8M Ø12 elbow pipe fitting                 |
| 22235   | 12518   |         | -     | uw   |        |      | Flux reducer                                |
| 22240   | 13316/A |         | -     | uw   |        |      | DVGW hole O-ring                            |

em=ELECTROMECHANICAL SWITCHES, lw=LOWER WASHING, uw=LOWER AND UPPER WASHING

AQU37=AQU37

dvgw=DVGW, cr=COLD RINSE, ws=WATER SOFTNER, dd=DETERGENT DISPENSER, dp=DRAIN PUMP

A=3/N/PE~380-400V 50-60Hz, D=3/PE~200-210V 50-60Hz, F=2/PE~220-240V 50-60Hz, G=3/N/PE~415V 50-60Hz, H=3/PE~220-230V 50-60Hz, K=3/PE~380-400V 50-60Hz, L=3/PE~415V 50-60Hz, M=3/PE~440V 60Hz, P=1/N/PE~220-230V 50-60Hz, R=2/PE~220-240V 50-60Hz, U=1/N/PE~240V 50-60Hz, V=3/PE~240V 50-60Hz, W=1/N/PE~100-110V 50-60Hz



17\_118\_e

## Spare parts

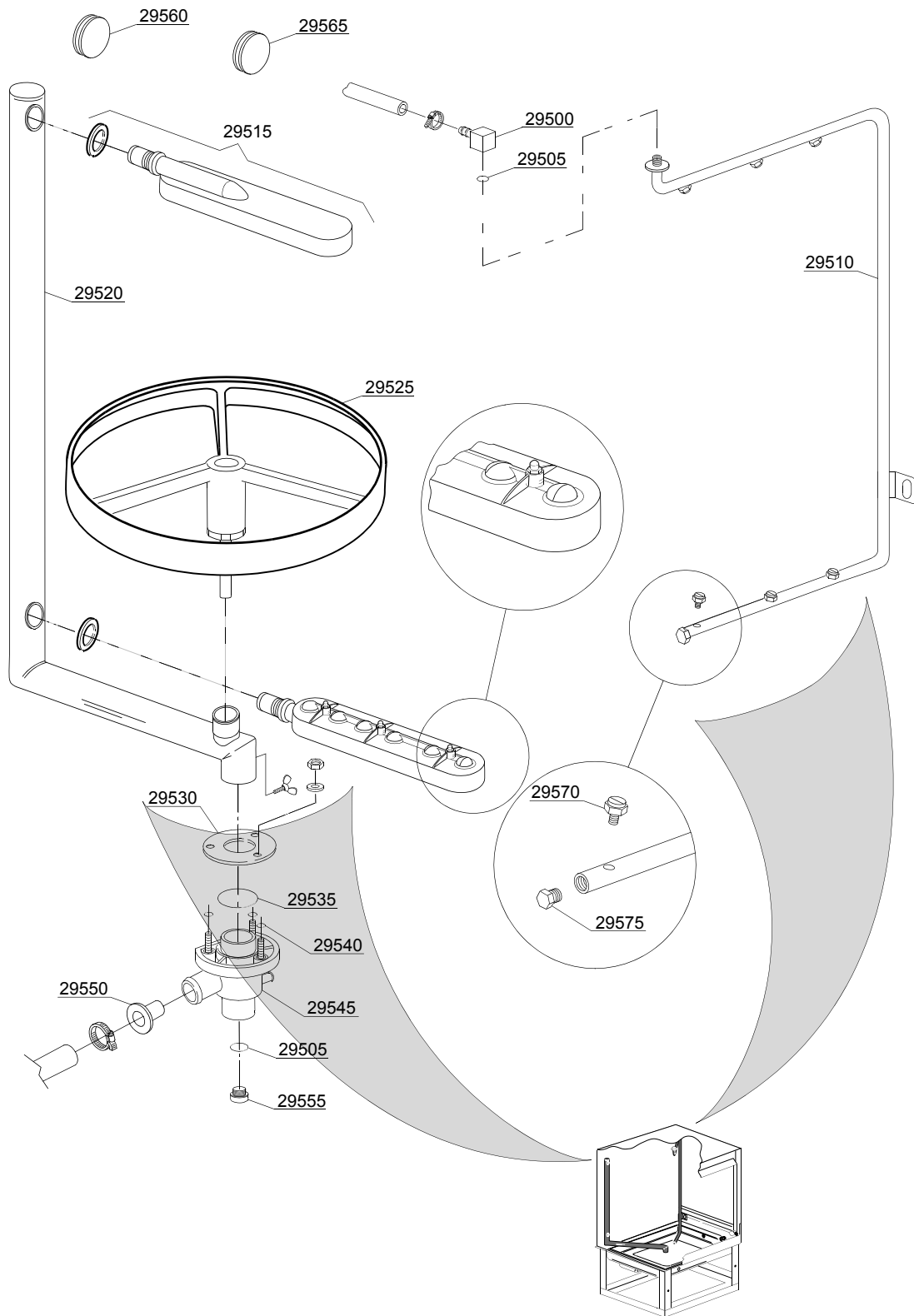
| ID  | P-code  | SN from | SN to | Mod. | Acces. | Volt | Description               |
|---|---------|---------|-------|------|--------|------|---------------------------|
| <b>Module:Turret group with rotating arms</b> |         |         |       |      |        |      |                           |
| 22245   | 13316   |         | -     | uw   |        |      | 43x10 blind O-ring        |
| 22250   | 10203   |         | -     | uw   |        |      | Guide pipe                |
| 22255   | 13306/A |         | -     | uw   |        |      | Top wash ramp O-ring      |
| 22260   | 137134  |         | -     | uw   |        |      | Top wash pipe             |
| 22270   | 137903  |         | -     | uw   |        |      | Top wash group            |
| 22275   | 12503   |         | -     | uw   |        |      | Plug                      |
| 22280   | 10378   |         | -     | uw   |        |      | Nozzle (minimum 2 pieces) |

em=ELECTROMECHANICAL SWITCHES, lw=LOWER WASHING, uw=LOWER AND UPPER WASHING

AQU37=AQU37

dvgw=DVGW, cr=COLD RINSE, ws=WATER SOFTNER, dd=DETERGENT DISPENSER, dp=DRAIN PUMP

A=3/N/PE~380-400V 50-60Hz, D=3/PE~200-210V 50-60Hz, F=2/PE~220-240V 50-60Hz, G=3/N/PE~415V 50-60Hz, H=3/PE~220-230V 50-60Hz, K=3/PE~380-400V 50-60Hz, L=3/PE~415V 50-60Hz, M=3/PE~440V 60Hz, P=1/N/PE~220-230V 50-60Hz, R=2/PE~220-240V 50-60Hz, U=1/N/PE~240V 50-60Hz, V=3/PE~240V 50-60Hz, W=1/N/PE~100-110V 50-60Hz



17\_122\_e

## Spare parts

| ID  | P-code  | SN from | SN to | Mod. | Acces. | Volt | Description                           |
|---|---------|---------|-------|------|--------|------|---------------------------------------|
| <b>Module:Turret group with rotating arms</b> |         |         |       |      |        |      |                                       |
| 29500   | 350402  |         | -     | lw   |        |      | Top turret rinse hub                  |
| 29505   | 13003   |         | -     | lw   |        |      | OR 112 NBR O-ring (minimum 10 pieces) |
| 29510   | 260052  |         | -     | uw   |        |      | Rinse ramp                            |
| 29515   | 16157   |         | -     | uw   |        |      | Wash arm                              |
| 29520   | 260051  |         | -     | uw   |        |      | Wash ramp                             |
| 29525   | 370101  |         | -     |      |        |      | Basket support                        |
| 29530   | 16038   |         | -     | uw   |        |      | Ø60 stainless steel disk              |
| 29535   | 13000   |         | -     | uw   |        |      | OR 3125 NBR O-ring (minimum 5 pieces) |
| 29540   | 13001   |         | -     | uw   |        |      | OR 104 NBR O-ring (minimum 10 pieces) |
| 29545   | 10205/B |         | -     | uw   |        |      | Lower wash turret                     |
| 29550   | 12518   |         | -     | uw   |        |      | Flux reducer                          |
| 29555   | 80277   |         | -     | uw   |        |      | Plug                                  |
| 29560   | 13316   |         | -     | lw   |        |      | 43x10 blind O-ring                    |
| 29565   | 13316/A |         | -     | uw   |        |      | DVGW hole O-ring                      |
| 29570   | 560018  |         | -     | uw   |        |      | Stainless steel rinse nozzle          |
| 29575   | 560017  |         | -     | uw   |        |      | Rinse arm plug                        |

em=ELECTROMECHANICAL SWITCHES, lw=LOWER WASHING, uw=LOWER AND UPPER WASHING

AQU37=AQU37

dvgw=DVGW, cr=COLD RINSE, ws=WATER SOFTNER, dd=DETERGENT DISPENSER, dp=DRAIN PUMP

A=3/N/PE~380-400V 50-60Hz, D=3/PE~200-210V 50-60Hz, F=2/PE~220-240V 50-60Hz, G=3/N/PE~415V 50-60Hz, H=3/PE~220-230V 50-60Hz, K=3/PE~380-400V 50-60Hz, L=3/PE~415V 50-60Hz, M=3/PE~440V 60Hz, P=1/N/PE~220-230V 50-60Hz, R=2/PE~220-240V 50-60Hz, U=1/N/PE~240V 50-60Hz, V=3/PE~240V 50-60Hz, W=1/N/PE~100-110V 50-60Hz