

WAREWASHER

ELECTROMECHANICAL SWITCHES
DOUBLE BODY VERSION

TYPE: 70U

Accessories

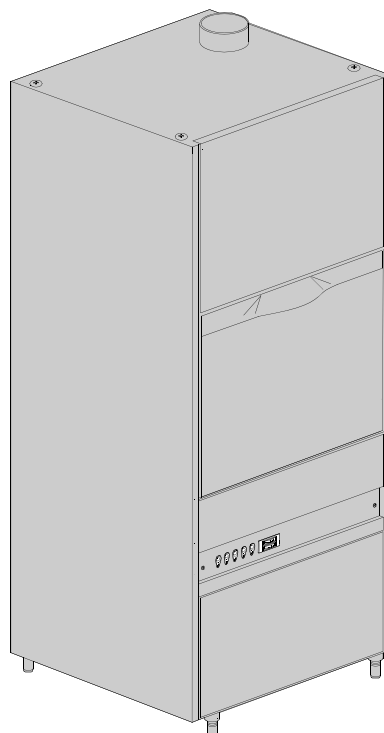
BOOSTER PUMP

DVGW

DETERGENT DISPENSER

DRAIN PUMP

Spare parts



1. Spare parts

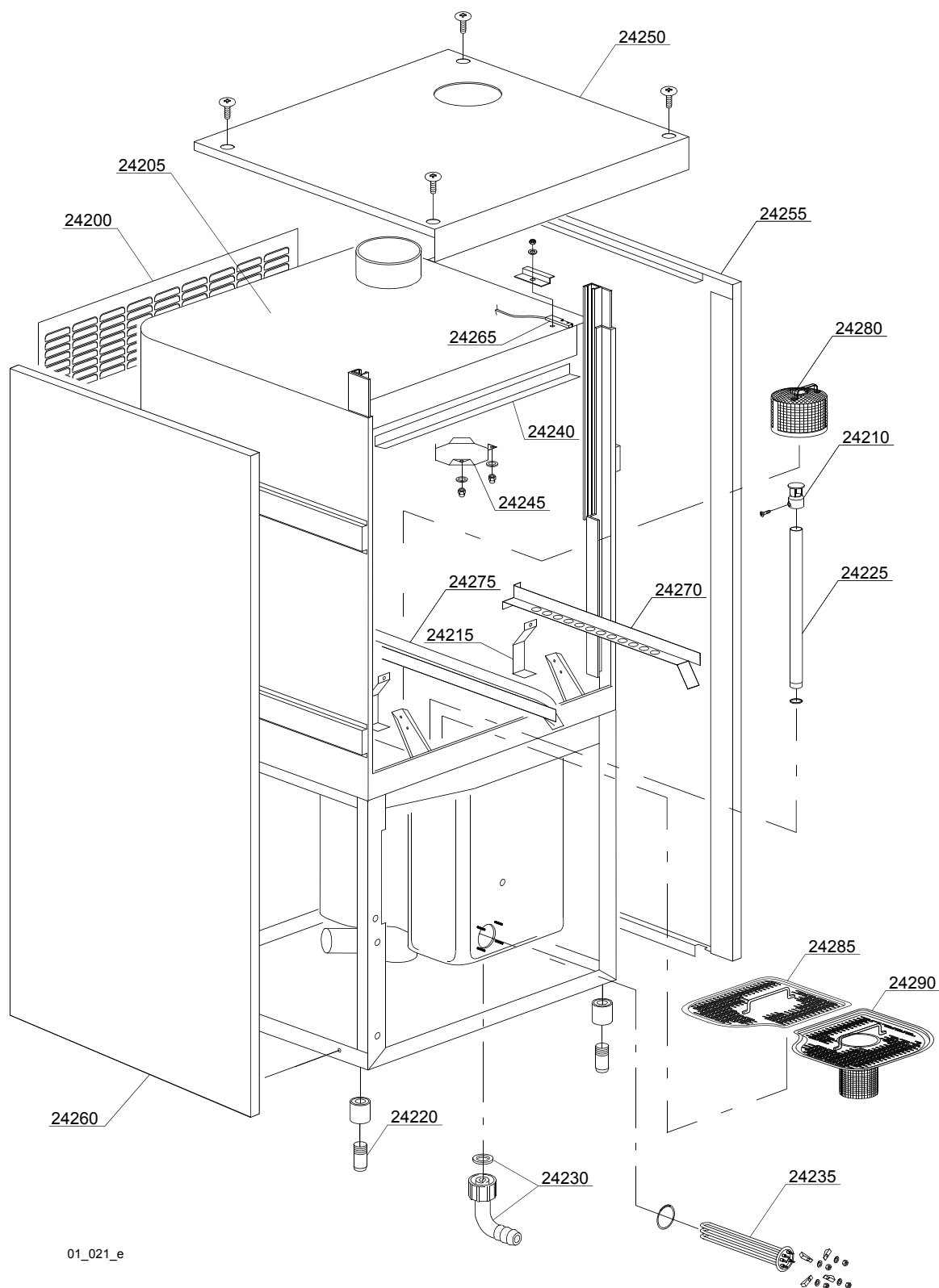
General body parts.....	7
Lockup system	9
Control panel	11
Control electric components.....	13
Solenoid valve group	15
Booster pump.....	17
DVGW	19
Shining product dosing device group .	21
Boiler group	23
3 ways derivation	25
Wash pump	27
Dosing device group	29
Dosing device group	31
Drain pump group.....	33
Pressure switch group with air trap ...	35
Turret group with rotating arms	37

1.1 Voltage codes

Voltage code	Voltage
A	3/N/PE~400/230V 50Hz
B	~250V 16A 50Hz
C	3/N/PE~380/220V 50Hz
D	3/PE~200V 50-60Hz
F	2/PE 220-240V 50Hz
G	3/N/PE~415/240V 50Hz
H	3/PE~230V 50Hz
I	3/PE~220V 60Hz
J	3/PE~380 50Hz
K	3/PE~400V 50Hz
L	3/PE~415V 50Hz
M	3/PE~440V 60Hz
N	3/PE~460V 60Hz
O	3/PE~480V 60Hz
P	1/N/PE~220-240V 50Hz
R	2/PE~220-230V 60Hz
S	3/N/PE~400/230V 50Hz
T	3/PE~230V 60Hz

1.2 Product codes

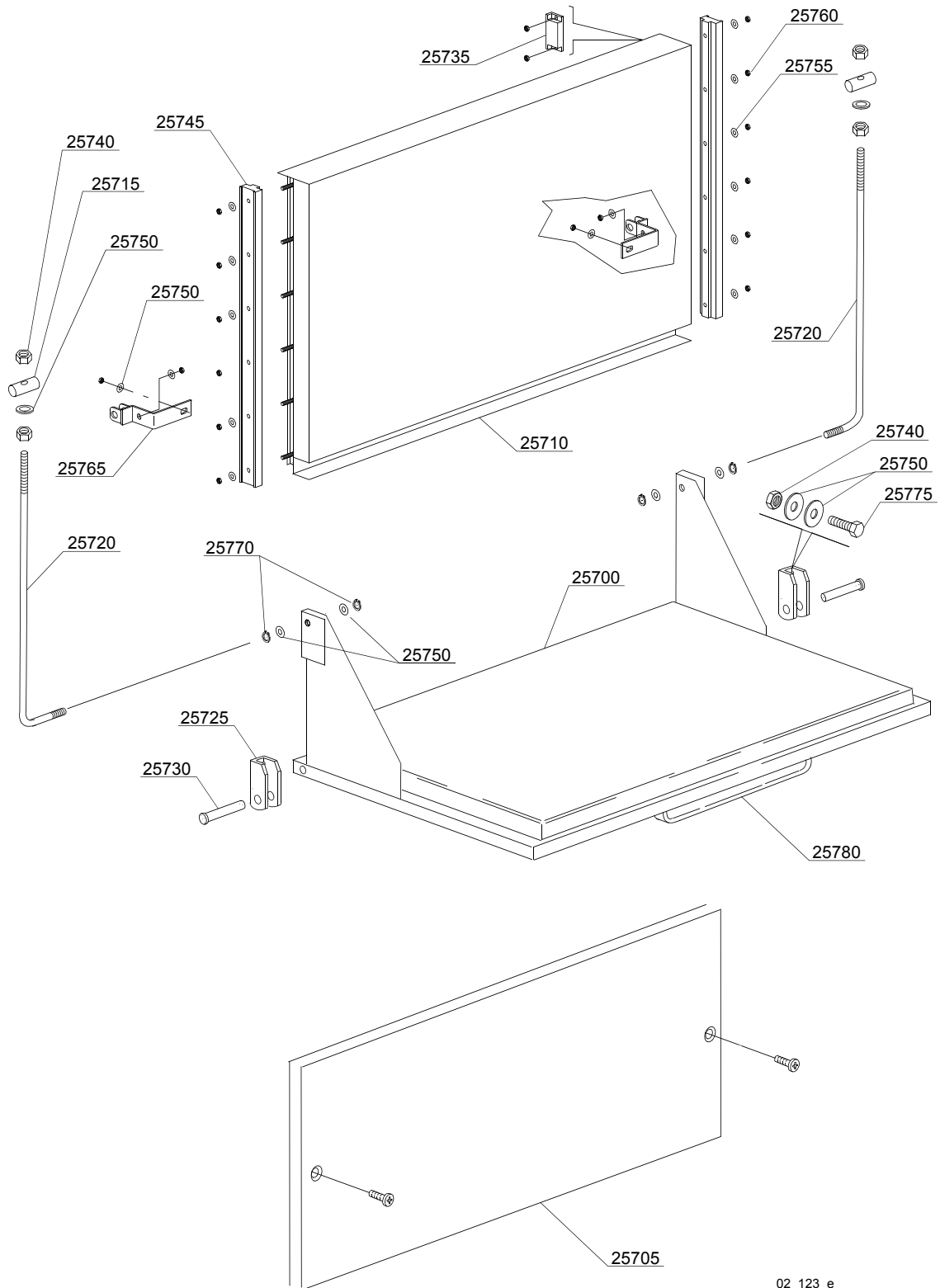
Product code	Full name
Model codes	
em	ELECTROMECHANICAL SWITCHES
dc	DOUBLE BODY VERSION
Type codes	
70U	70U
Accessory codes	
pap	BOOSTER PUMP
dvgw	DVGW
dde	DETERGENT DISPENCER
ps	DRAIN PUMP



01_021_e

Spare parts

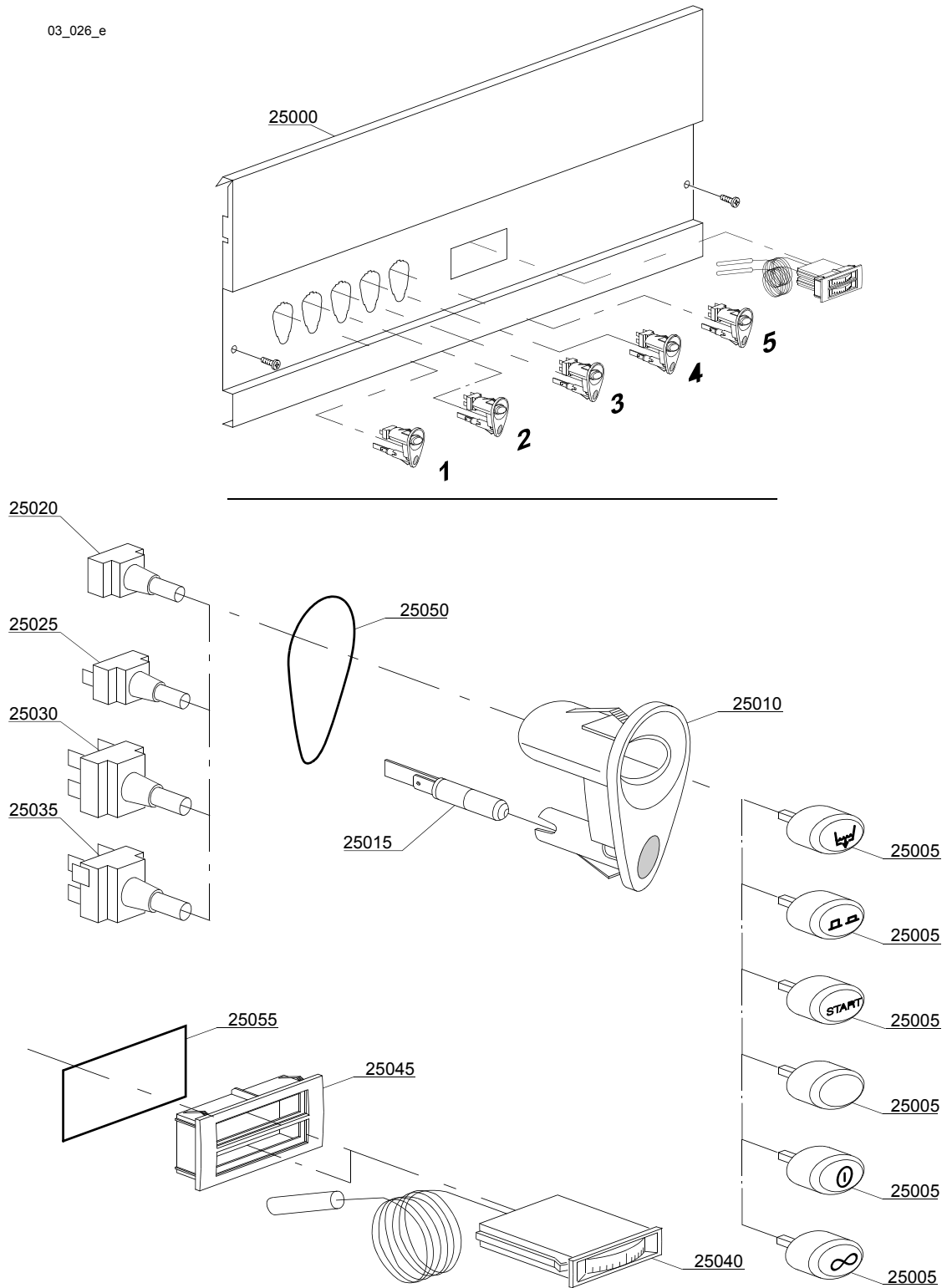
ID	P-code	Model	Type	Accessory	Voltage	Description
MODULE:General body parts						
24200	90955		70U			Back panel
24205	90950		70U			Body
24210	11600019		70U			Terminal overflow pipe
24215	22254		70U			Right/left splash guard
24220	15116		70U			Foot
24225	90013		70U			Overflow pipe
24230	15613		70U			Drain elbow
24235	15046		70U			3KW heating element
24240	90914		70U			Upper splash guard
24245	22232		70U			Chimney splash guard
24250	90907		70U			Tank
24255	90953		70U			Right lower panel
24260	90954		70U			Left lower panel
24265	3003112		70U			Door micro reed
24270	90910		70U			Right internal slide
24275	90911		70U			Left internal slide
24280	90014		70U			Suction filter
24285	90913		70U			Surface filter
24290	90912		70U			Front surface filter



02_123_e

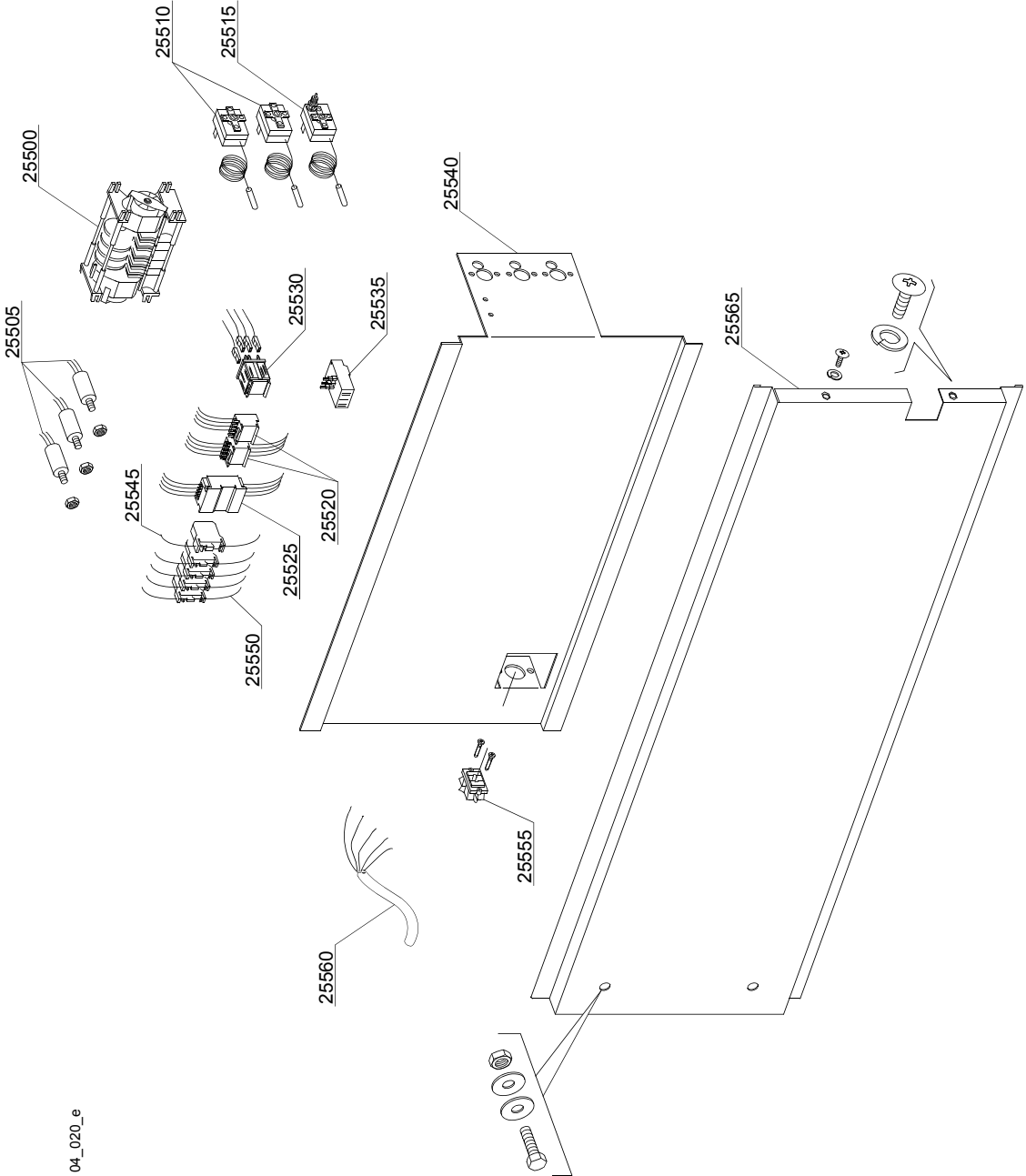
ID	P-code	Model	Type	Accessory	Voltage	Description
MODULE:Lockup system						
25700	90952		70U			Door with steel handle
25705	90909		70U			Lower door
25710	90951		70U			Upper door
25715	22219		70U			Small cylinders
25720	23220		70U			Door rod
25725	22206/B		70U			Door support
25730	22220/A		70U			Hinge door
25735	80232		70U			Reed magnet
25740	11721		70U			Nut
25745	90025		70U			Slide for door
25750	11177		70U			Plain washer
25755	11176		70U			Plain washer
25760	11169		70U			Nut
25765	90916		70U			Door movement support
25770	11815		70U			Ø8 stainless steel snap ring
25775	11104/B		70U			M6x16 stainless steel screw

03_026_e



Spare parts

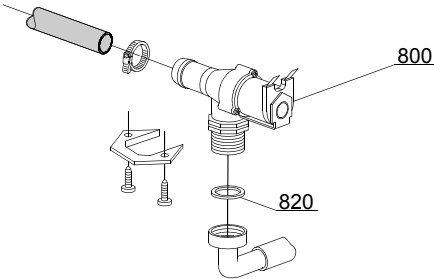
ID	P-code	Model	Type	Accessory	Voltage	Description
MODULE:Control panel						
25000	90903		70U			Control panel
25005	89343		70U	dp		Drain pump key
25005	89342		70U			Time push selector switch key
25005	89341		70U			Start key
25005	89348		70U			Blind key
25005	89340		70U			ON-OFF key
25005	89346		70U			Continuous cycle key
25010	89300		70U			Key support
25015	15826		70U			Pilot lamp
25020	15844		70U			Key support
25025	15813		70U			16A unipolar push button
25030	15812		70U			16A switch
25030	15800		70U			16A bipolar push button
25035	15811		70U			16A bipolar switch
25035	15811/A		70U			16A bipolar switch push button
25040	10500011		70U			Thermometer
25045	89306		70U			Double thermometer support
25050	89332		70U			OR gasket
25055	89331		70U			OR gasket



04_020_e

Spare parts

ID	P-code	Model	Type	Accessory	Voltage	Description
MODULE:Control electric components						
25500	22011		70U		A	"120/240"" timer with thermostop"
25500	22011/C		70U		A	"120/250"" timer with thermostop"
25505	15149		70U			Low noise filter
25510	10707/1		70U			0-90°C thermostat
25515	2000430		70U			Safety thermostat
25520	15086		70U			Remote control switch 230V 50/60Hz 4C
25520	15086/B		70U			Remote control switch
25525	10300050		70U			25A/12A remote control switch
25530	560301		70U			Relay
25535	88112		70U			4,5-7,5A RF9 temperature relay
25535	88113		70U			6-10A temperature relay - RF9
25540	11600619		70U			Electric component panel
25545	10300401		70U			6/8mm ² yellow/green terminal
25550	10300403		70U			6mm ² terminal
25555	15065/A		70U			Cable-fastener with screw
25560	80200		70U			5x4x3400 cable
25560	75359		70U			4x6 flame-retardant cable
25565	90918		70U			Upper electric component panel

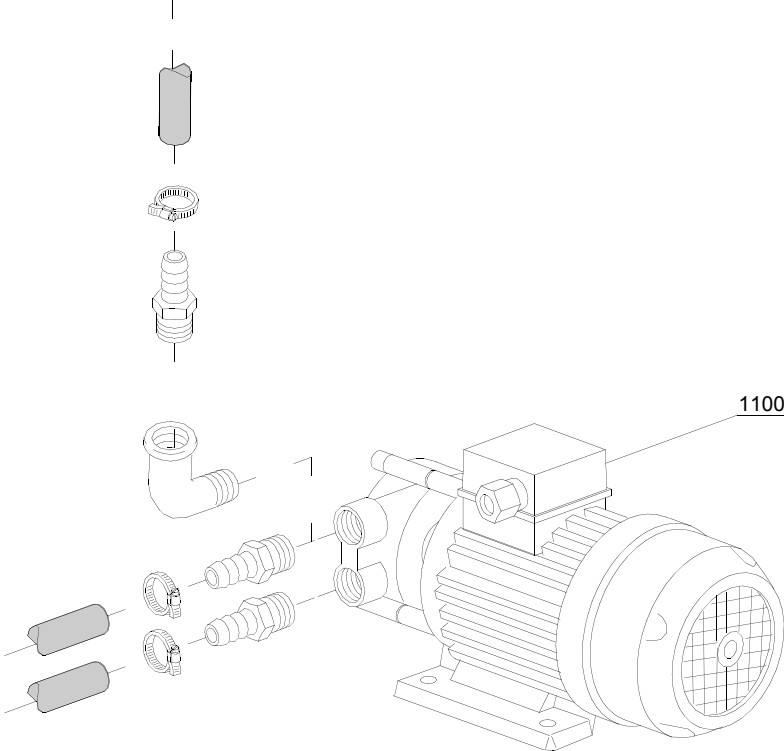


05_005_e

Spare parts

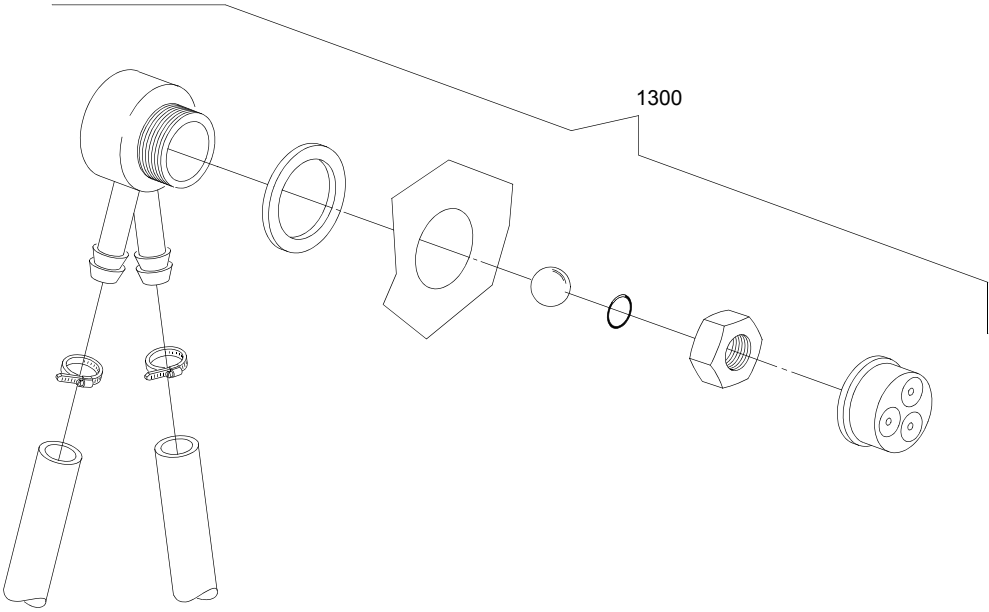
ID	P-code	Model	Type	Accessory	Voltage	Description
MODULE: Solenoid valve group						
800	30001000		70U			Single solenoid valve
820	N.C.		70U			Pression reducing valve

07_002_e



Spare parts

ID	P-code	Model	Type	Accessory	Voltage	Description
MODULE:Booster pump						
1100	15100		70U	bp		Booster pump

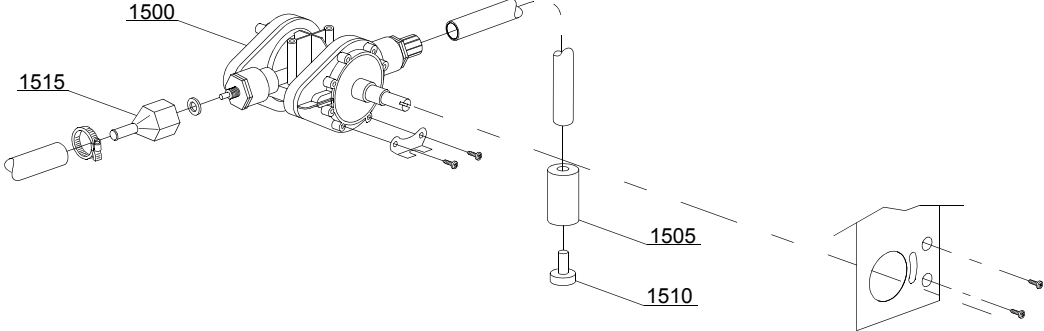


08_005_e

Spare parts

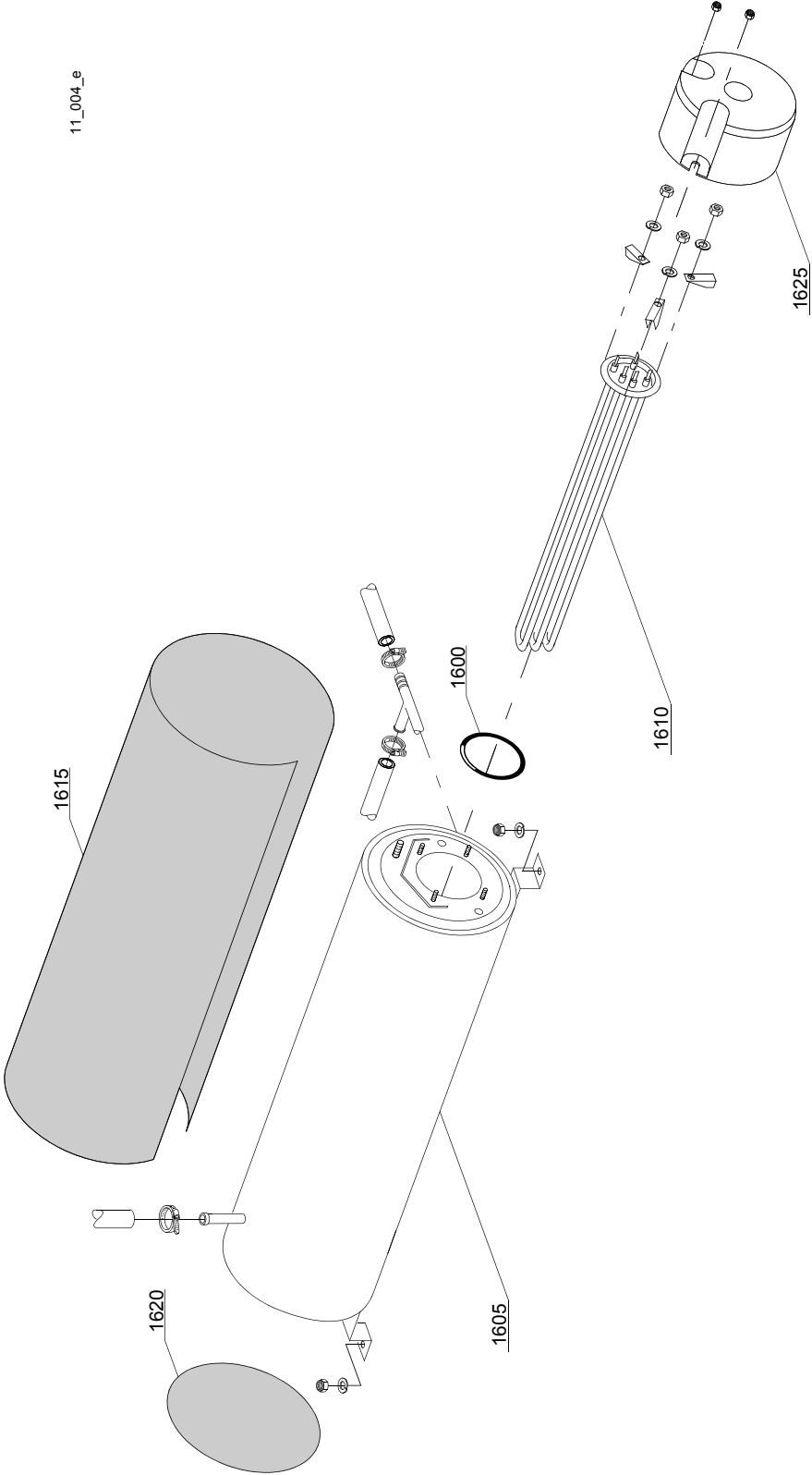
ID	P-code	Model	Type	Accessory	Voltage	Description
MODULE:DVGW						
1300	999900006		70U	dv gw		DVGW assembly

10_002_e



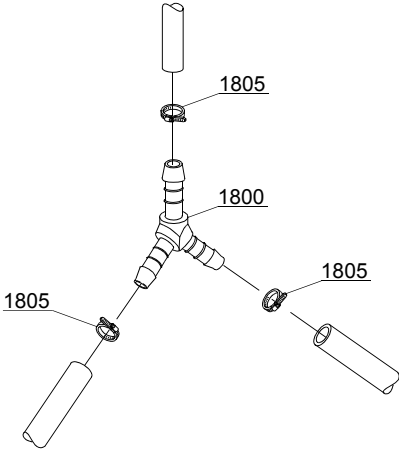
Spare parts

ID	P-code	Model	Type	Accessory	Voltage	Description
MODULE:Shining product dosing device group						
1500	10798		70U			Shining product dosing device
1505	12525		70U			Counter-weight
1510	15058		70U			Small filter
1515	10798/B		70U			Brass pipe fitting



Spare parts

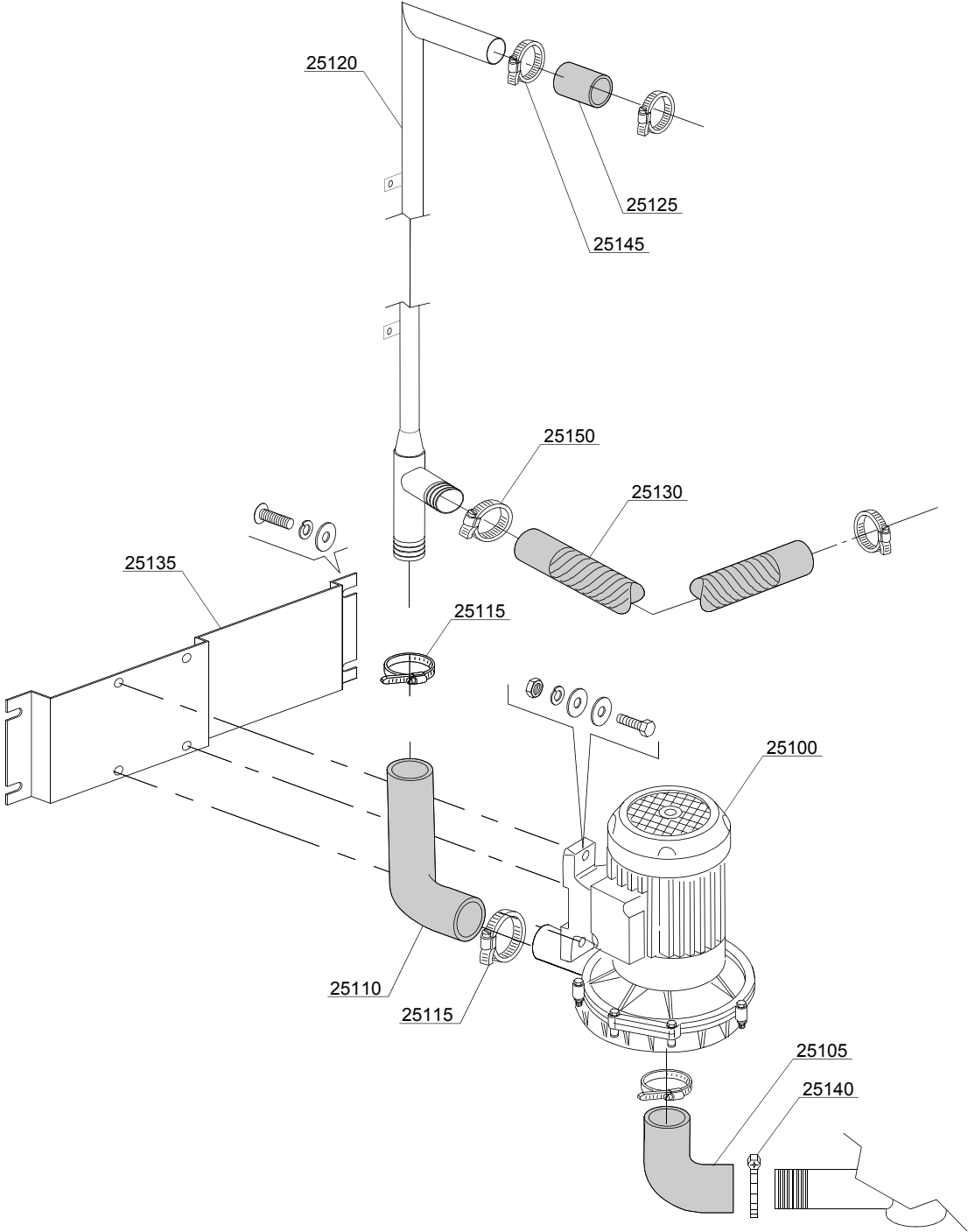
ID	P-code	Model	Type	Accessory	Voltage	Description
MODULE:Boiler group						
1600	13015		70U			6225 OR 160 NBR gasket
1605	22002		70U			Boiler
1610	30001010		70U			6KW heating element
1610	30001011		70U			9KW heating element
1615	30002030		70U			Insulating boiler
1620	75205		70U			Ø160 bottom
1625	75311		70U			Heating element guard



12_003_e

Spare parts

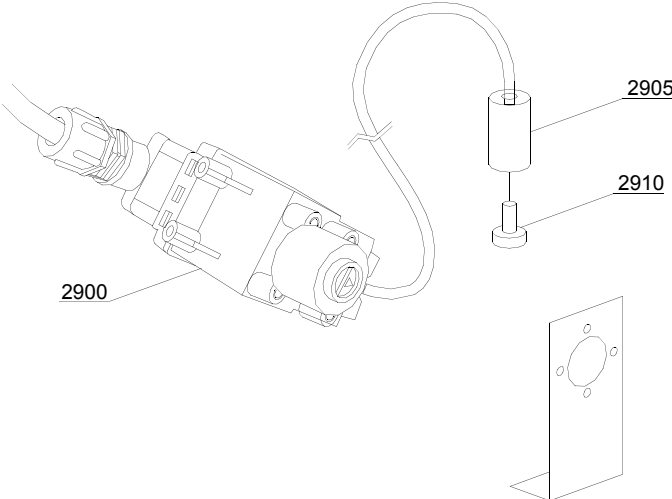
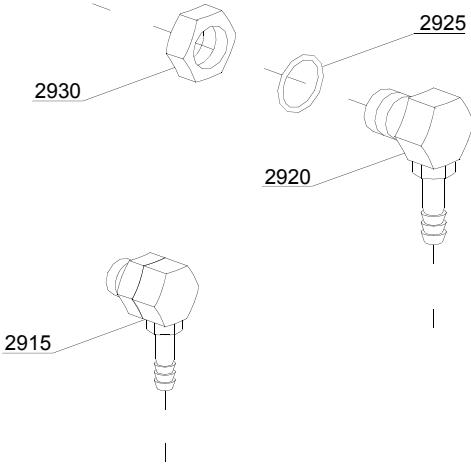
ID	P-code	Model	Type	Accessory	Voltage	Description
MODULE:3 ways derivation						
1800	540091		70U			Ø12 mm plastic 3 ways derivation
1805	11807		70U			12/22 clamp



13_116_e

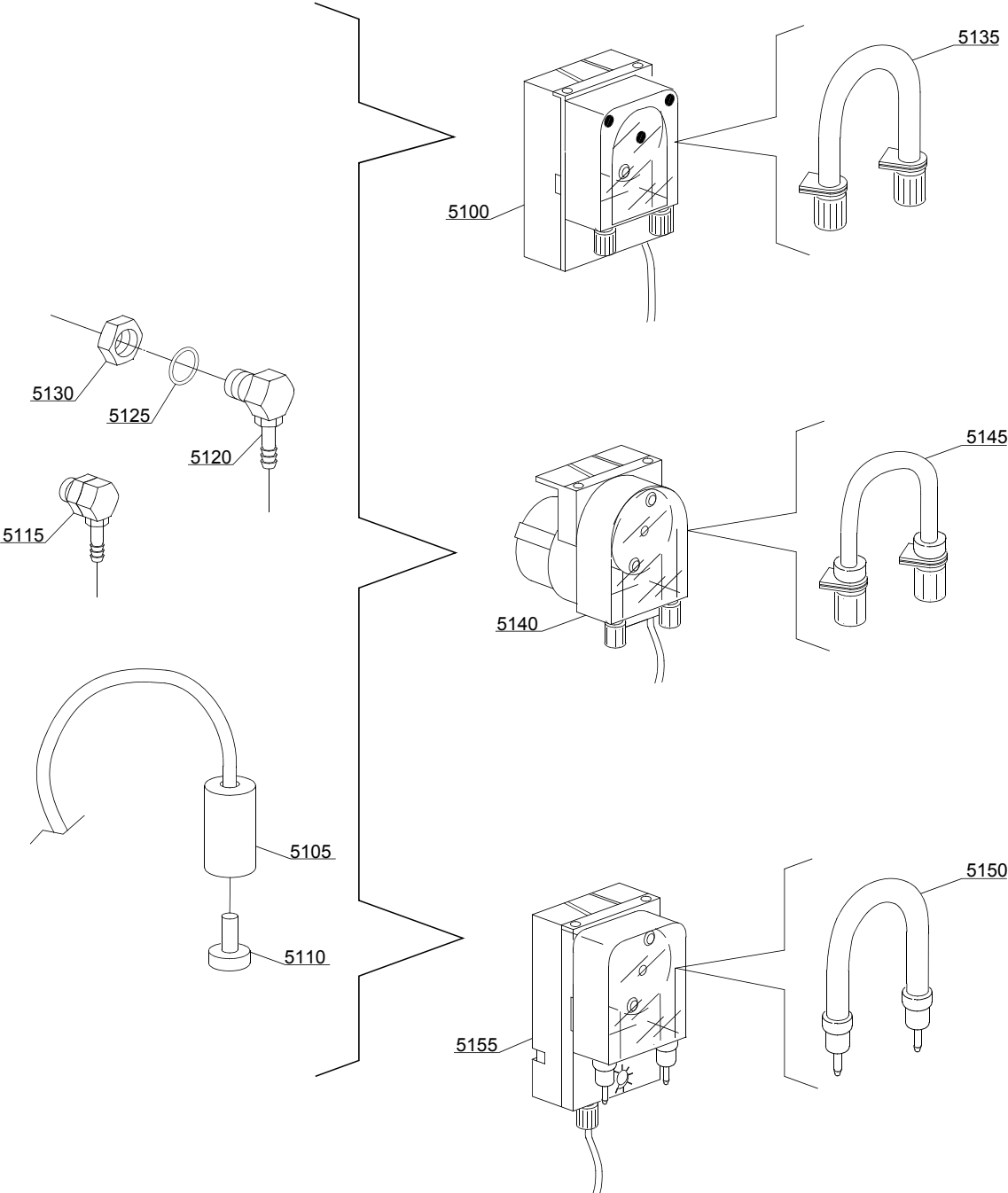
ID	P-code	Model	Type	Accessory	Voltage	Description
MODULE:Wash pump						
25100	88106		70U			2,7Hp wash pump
25100	88106/E		70U			2,7Hp wash pump - 240-415V
25105	3002022		70U			Suction pipe coupling
25110	15032/B		70U			Top delivery pipe
25115	11824		70U			50/70 clamp
25120	90002		70U			Wash ramp
25125	90029		70U			34x45x250 pipe
25130	90030		70U			45x55x280 pipe
25135	90917		70U			Pump support
25140	2902491		70U			60/80 clamp
25145	11809		70U			30/45 clamp
25150	11810		70U			40/60 clamp

14_002_e



Spare parts

ID	P-code	Model	Type	Accessory	Voltage	Description
MODULE:Dosing device group						
2900	15108/L		70U	dd		Lang dosing device
2905	12525		70U	dd		Counter-weight
2910	15058		70U	dd		Small filter
2915	15123		70U	dd		Compleat plastic injector
2920	15148		70U	dd		Steel injector
2925	15159		70U	dd		OR gasket
2930	10200205		70U	dd		M12x1 stainless steel nut

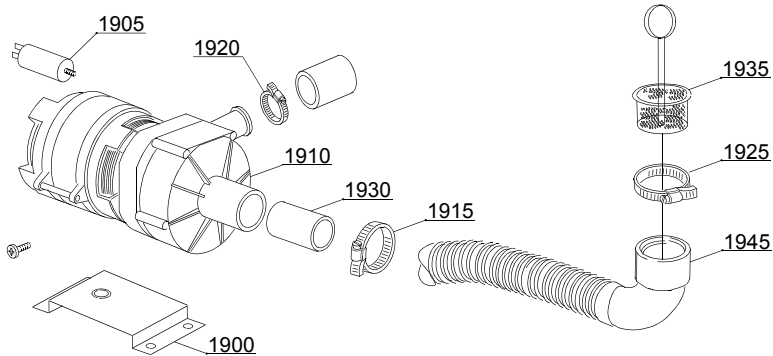


14_004_e

Spare parts

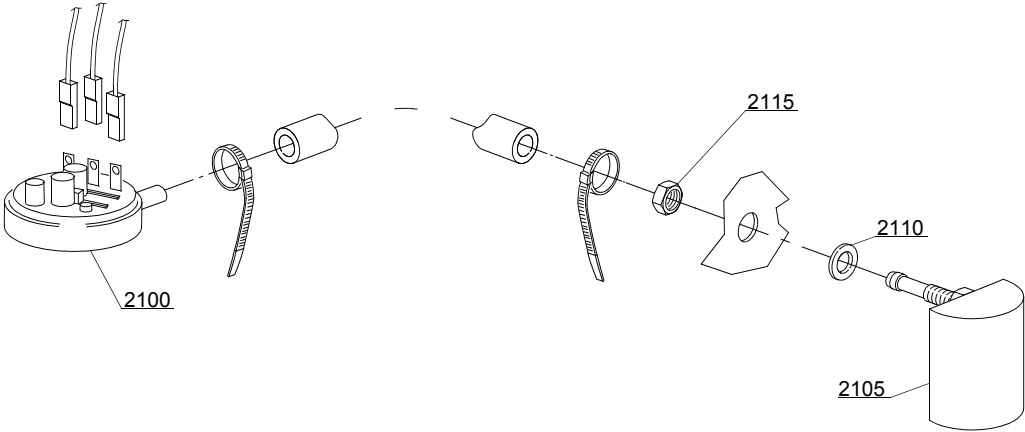
ID	P-code	Model	Type	Accessory	Voltage	Description
MODULE:Dosing device group						
5100	15985		70U	dd		Seko dosing device
5105	12525		70U	dd		Counter-weight
5110	15058		70U	dd		Small filter
5115	15123		70U	dd		Complet plastic injector
5120	15148		70U	dd		Steel injector
5125	15159		70U	dd		OR gasket
5130	10200205		70U	dd		M12x1 stainless steel nut
5135	15185		70U	dd		Ø 10 Seko thermoplastic pipe
5140	15985		70U	dd		Germac dosing device
5145	15108/E		70U	dd		Ø 8 Germac thermoplastic pipe
5150	15985/A		70U	dd		Ø 10 PLAS CONT thermoplastic pipe
5155	15985		70U	dd		PLAS CONT Detergent pipe

15_003_e



Spare parts

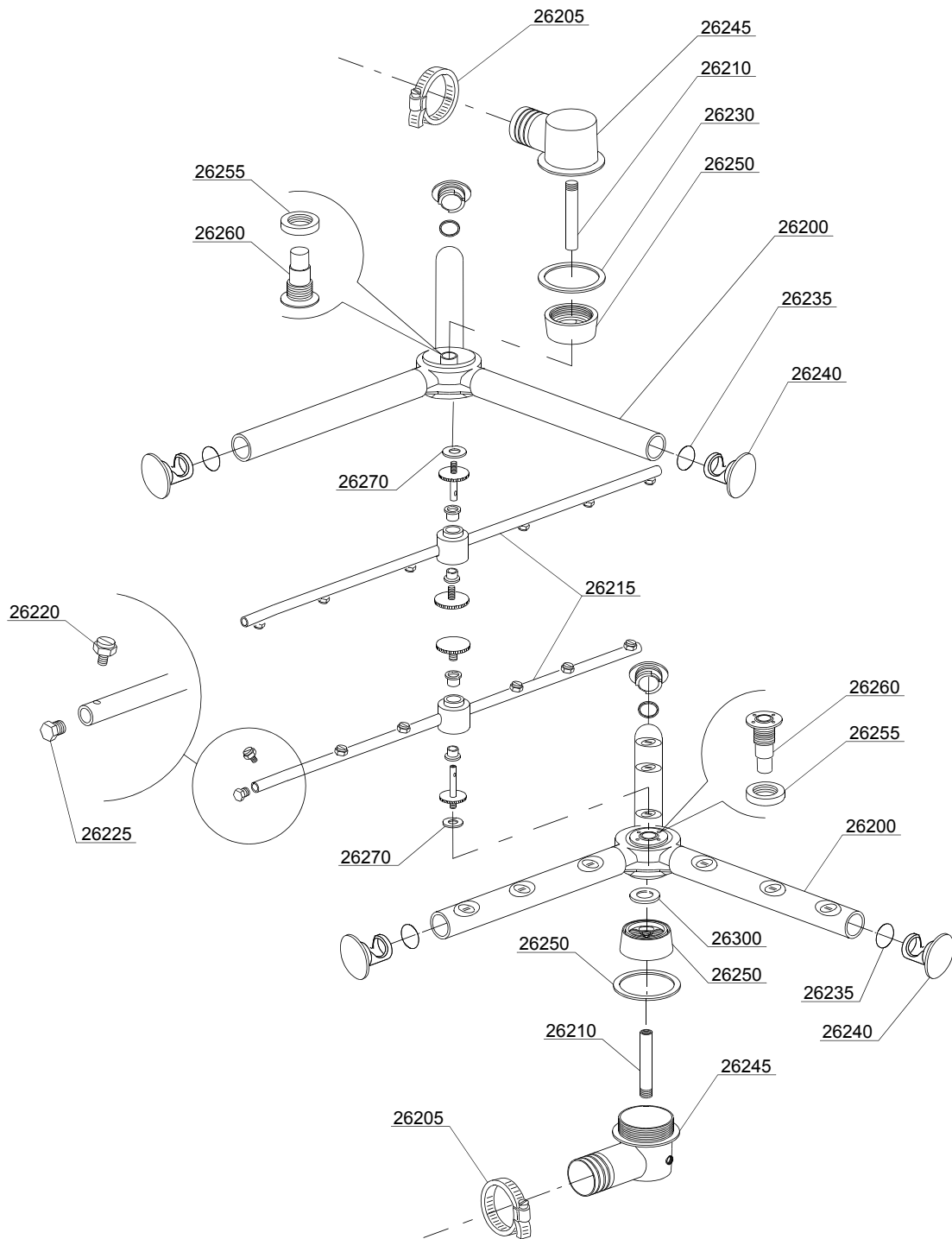
ID	P-code	Model	Type	Accessory	Voltage	Description
MODULE: Drain pump group						
1900	440122		70U	dp		Pump support
1905	10702		70U	dp		5 uF condenser
1910	10501/A		70U	dp		Drain pump
1915	11806		70U	dp		25/40 clamp
1920	11836		70U	dp		20/32 clamp
1925	11809		70U	dp		30/45 clamp
1930	18044		70U	dp		Ø28 top wash pipe



16_001_e

Spare parts

ID	P-code	Model	Type	Accessory	Voltage	Description
MODULE:Pressure switch group with air trap						
2100	90023		70U			190-60 pressure switch
2105	135911		70U			Air trap assembly
2110	13301		70U			Gasket
2115	11702		70U			M8 stainless steel nut



17_119_e

Spare parts

ID	P-code	Model	Type	Accessory	Voltage	Description
MODULE:Turret group with rotating arms						
26200	90004		70U			Upper/lower complet wash rotor
26205	11810		70U			40/60 clamp
26210	90010		70U			Top axle extension
26215	90003		70U			Rinse group
26220	560018		70U			Stainless steel rinse nozzle
26225	560017		70U			Rinse arm plug
26230	80208		70U			95x75x3 gasket
26235	13023		70U			OR 131 (4093) NBR gasket
26240	3003029		70U			Plastic plug
26245	90008		70U			Lower turret
26250	90009		70U			Turret fixing hub
26255	75317		70U			Nut for hub
26260	75316		70U			Hub for rotor
26270	90031		70U			Sliding washer
26300	11600033		70U			Flux reducer