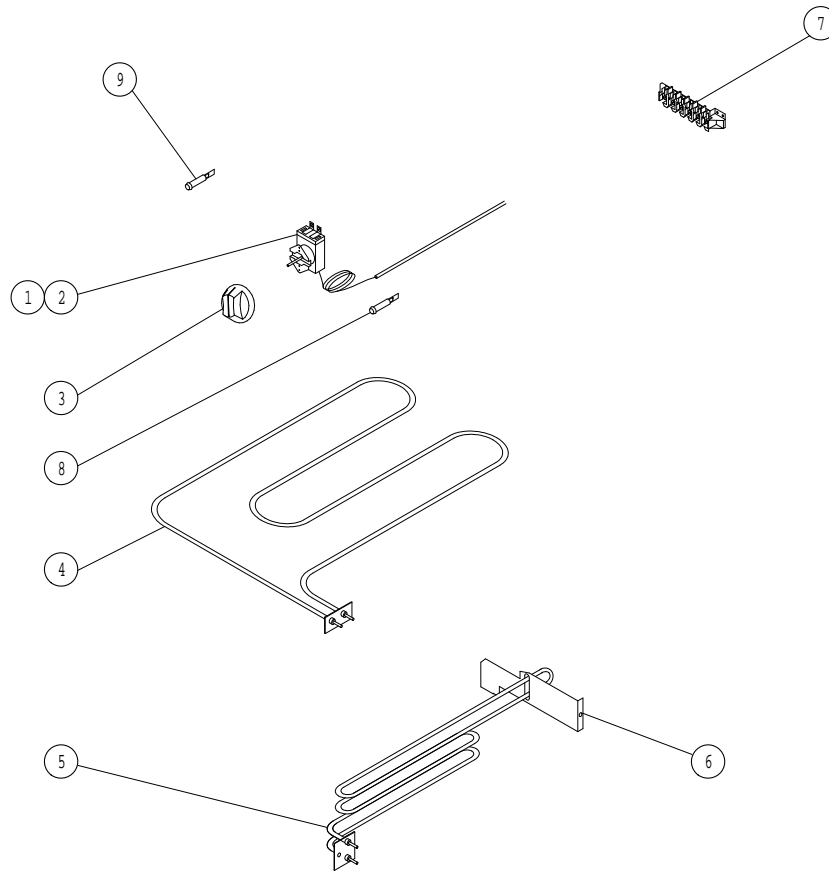
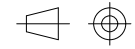


IF IN DOUBT ASK!!

DO NOT SCALE !!
First Angle Projection



E2117 CONTROLS

Item	Spares No.	Description
1	730962080	Oven Thermostat
2	731000004	Oven Thermostat c/w Knob
3	731000003	Oven Thermostat Knob Only
4	730962050	Oven Top Element
5	730962060	Oven Bottom Element
6	730962062	Element Support Bracket
7	731000006	Terminal Block Incoming
8	731000007	Neon Amber
9	731000008	Neon Red

All Dimensions in millimetres, Tolerance- Linear ±0.5mm Angular ±0.5° (or as stated)

A	1004	ISSUED FOR PRODUCTION		I.HAMILTON	05-03-04
Issue	Mod No.	Alteration	Zone	Drawn by	Date



Drawn	I.HAMILTON	Product	E2117 GP OVEN	
Date	19-01-04	Title	E2117 CONTROLS SPARES INFO	
Scale				
Matl.		Drawing Number	AA42404	Issue
No. off		Finish		A
Bin No.		Kraus No.	T111405	

No reproduction or publication of this drawing may be made and no article may be manufactured or assembled in accordance with this drawing without prior written consent. This prohibition is a condition of any contract relating to this drawing. Rights reserved under the Copyright Act 1956 as amended by the Design Copyright Act 1988.

This part is common to the following units

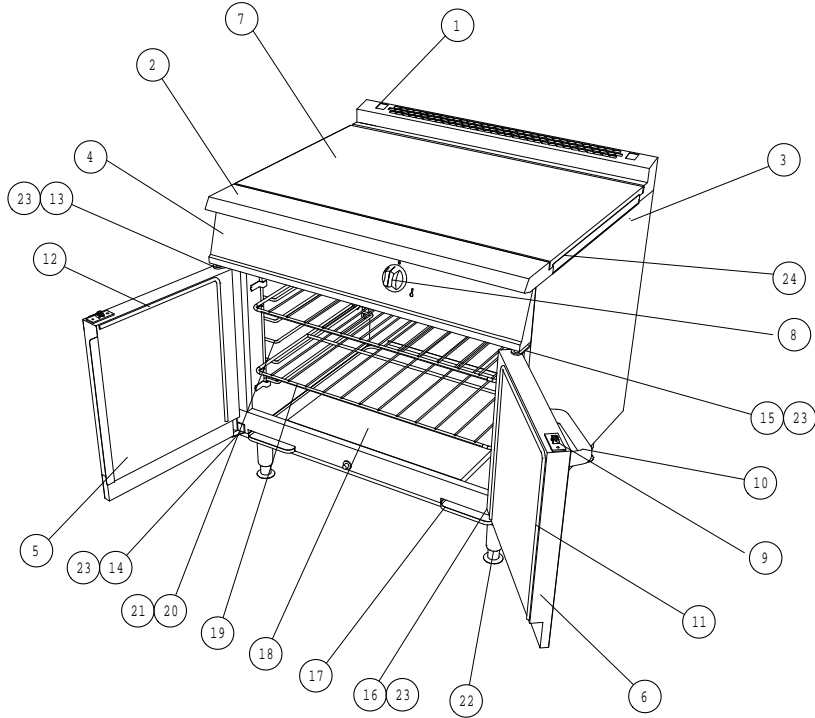
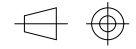
UNCONTROLLED

Falcon Foodservice Equipment. Wallace View Hillfoots Road Stirling Scotland

IF IN DOUBT ASK!!

DO NOT SCALE !!

First Angle Projection

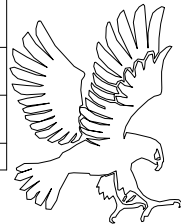


E2117 FITMENTS

Part No	Spares No	Description
1	535480046	Rear hob rail
2	535480047	Front hob rail
3	535480048	Outer Side Panel
4	731010000	Control panel
5	535480050	L/H Door assy
6	535480051	R/H Door assy
7	535470002	Work top
8	731000003	Control Knob (Oven)
9	535480054	Door Catch
10	535480055	Door Handle
11	730962181	Door seal -RH
12	730962180	Door seal -LH
13	535480058	Top door hinge -LH
14	535480059	Bottom door hinge -LH
15	535480060	Top door hinge -RH
16	535480061	Bottom door hinge -RH
17	730962230	Oven Drip tray
18	730962240	Oven bottom plate
19	730963180	Oven Shelf
20	730963190	Oven Shelf hanger
21	730963200	Oven Shelf Hanger bracket
22	730963050	Adjustable Leg
23	535480077	Door hinge bush
24	730963121	Hob side drip shed

All Dimensions in millimetres, Tolerance- Linear ±0.5mm Angular ±0.5° (or as stated)

A	1004	ISSUED FOR PRODUCTION		I. HAMILTON	05-03-04	
G	Issue	Mod No.	Alteration	Zone	Drawn by	Date



This part is common to the following units

© No reproduction or publication of this drawing may be made and no article may be manufactured or assembled in accordance with this drawing without prior written consent. This prohibition is a condition of any contract relating to this drawing. Rights reserved under the Copyright Act 1956 as amended by the Design Copyright Act 1988.

UNCONTROLLED

Drawn	Product	E2117 GP OVEN	
Date	Title	E2117 FITMENTS SPARES INFO	
Scale			
Matl.		Drawing Number	Issue
No. off	Finish	AA42403	A
Bin No.	Kraus No. T111404		