



Würfeleisbereiter Vollkegel, Wasserk., 155 kg/24 h, ohne Speicher

Artikel-Nr.
711052 (C150W)

Explosionszeichnung / Ersatzteile

Bitte bei Ersatzteilbestellung immer Artikelnummer und
Seriennummer mit angeben!



SHELL ASSY

COOLING SYSTEM

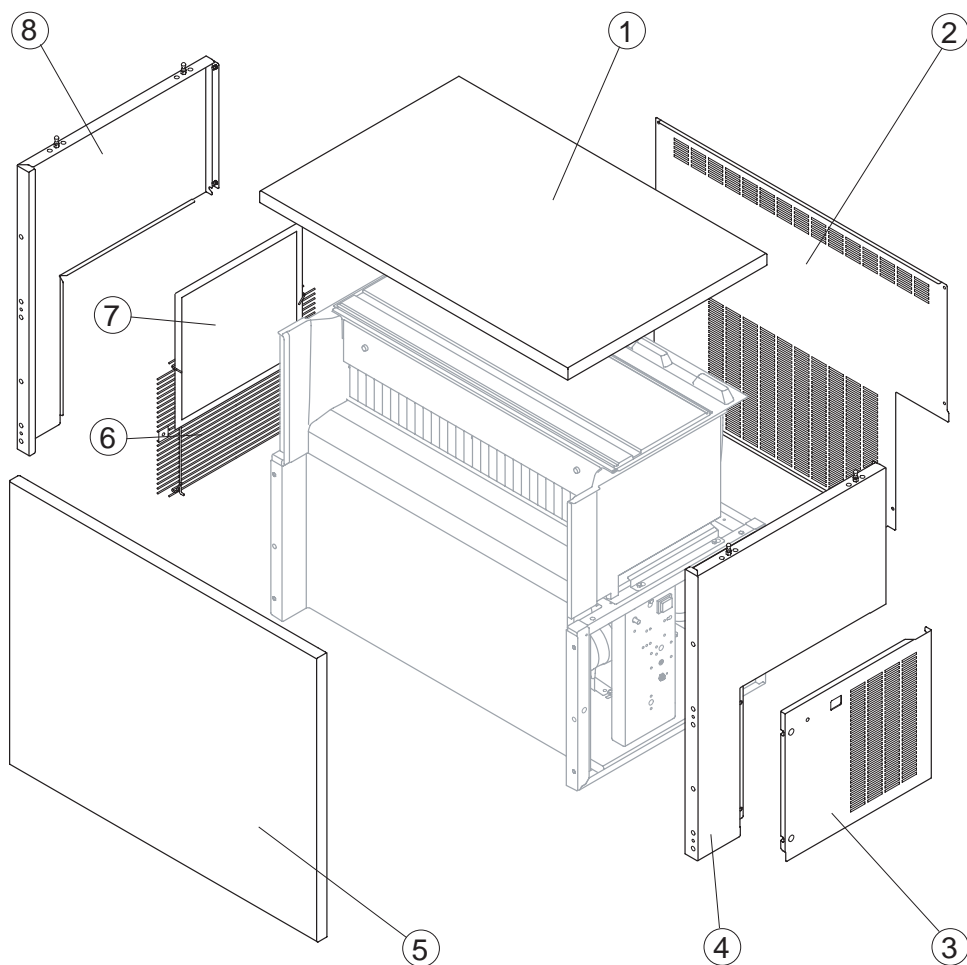
HYDRAULIC CIRCUIT

ELECTRIC PARTS



C 150 - 2015

SHELL ASSY



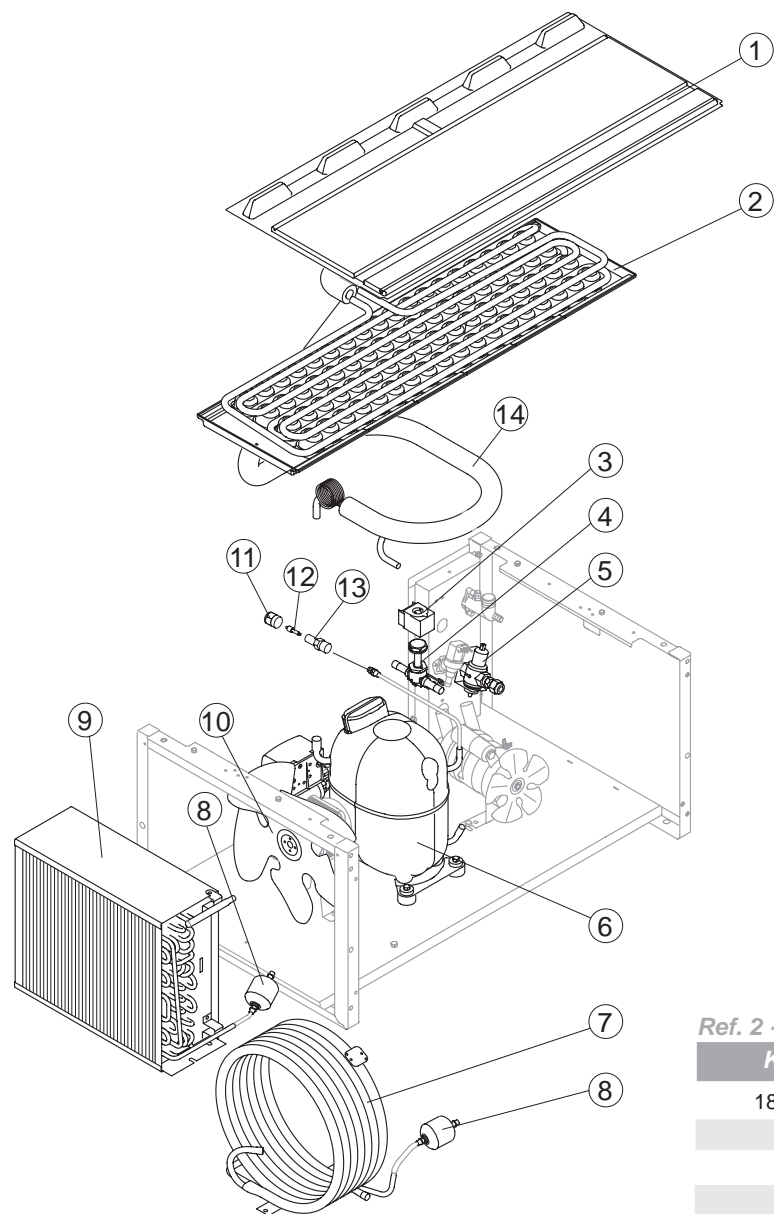
Common Parts

Ref.	Spare Description	Code
1	Top	C221683
2	Rear Panel	221692
3	Right Panel	221685
4	Right Side Panel	C221684
5	Front Panel	C221681
6	Side Grid	D12093
8	Left Side Panel	C221686

Parts for Air-Cooled Version Only

Rif.	Descrizione Ricambio	Codice
7*	Filter	18246

Rev.01 - 14/05/2018



Common Parts

Ref.	Spare Description	Code
1	Evaporator Cover Panel	10454
2	Evaporator	See Table
3*	Hot Gas Valve Coil	See Table
4*	Hot Gas Valve Body	20409
6	Compressor	See Table
8*	Solid Core Drier	14084
11*	Vacuum-Charge Valve Plug	14006
12*	Vacuum-Charge Valve Device	14005
13	Vacuum-Charge Valve Body	14007
14	Suction Line	for the spare parts code give us the s/n.

Parts for Air-Cooled Version Only

Ref.	Spare Description	Code
9	Air Condenser	20924
10	Sucking Fan	T11, T12 20407
10	Sucking Fan	T13 20671

Parts for Water-Cooled Version Only

Ref.	Spare Description	Code
5	Pressostatic Valve	R20210
7	Water Condenser	14081

Ref. 2 - Evaporator

Kind of Cube	Code
18 g. (Standard)	D10214
33 g.	D10092
13 g.	D10126
42 g.	D10477
60 g.	D10555

Ref. 3* - Hot Gas Valve Coil

Voltage	Code
T11	231294
T12	231294
T13	23256

Ref. 6 - Compressor

Voltage	Code
T11	23878
T12	23874
T13	23586



Common Parts

Ref.	Spare Description	Code
1	Ice Cubes Slide	See Table
2*	Overflow Pipe	10133
3*	OR Gasket for Overflow Pipe	20233
4	Water Outlet Nipple	10472
5	Silicone Gasket	13006
6	Fitting of the Pump Suction/Delivery Pipes	C10653
7	Gasket for Pump Suction/Delivery Pipes	13143
8	Pump Suction/Delivery Pipe	C13175275
9	Tubo Ingresso Acqua Evaporatore	C13189
11	Discharges Manifold	C10366
12	Bin Discharge Nut	10096
13	Semirigid Polyethylene Gasket	13007
14	Fitting Locking Ring	10654
15*	Pump Suction Filter	20005
16	Fixing Screw	20009
17	Flags Support Assy	C22134
18	Foamed Basin	C11224
19	Sprayers Feeding Pipe Connection	C13037
20*	Sprayers Bar Assembly	See Table
21	Sprayers Bar Plug	10012
22	Sprayer	D20002

Parts for Water-Cooled Version Only

Ref.	Spare Description	Code
10	Drain manifold with plate	20984

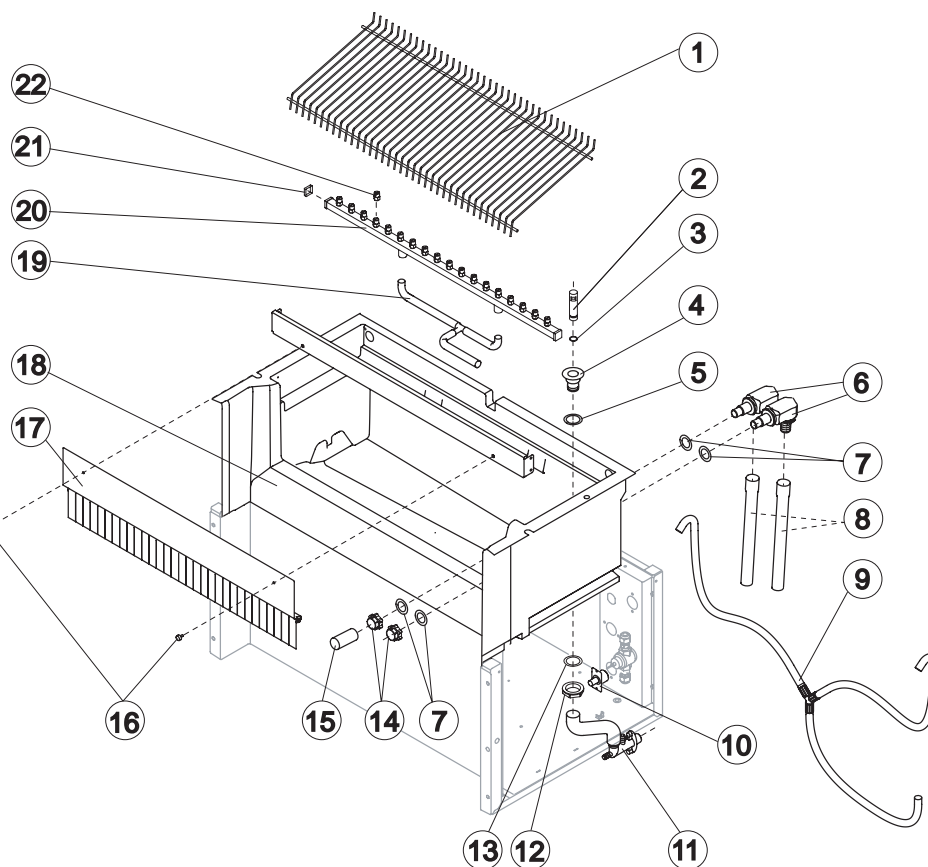
Ref. 1 - Ice Cube Slide

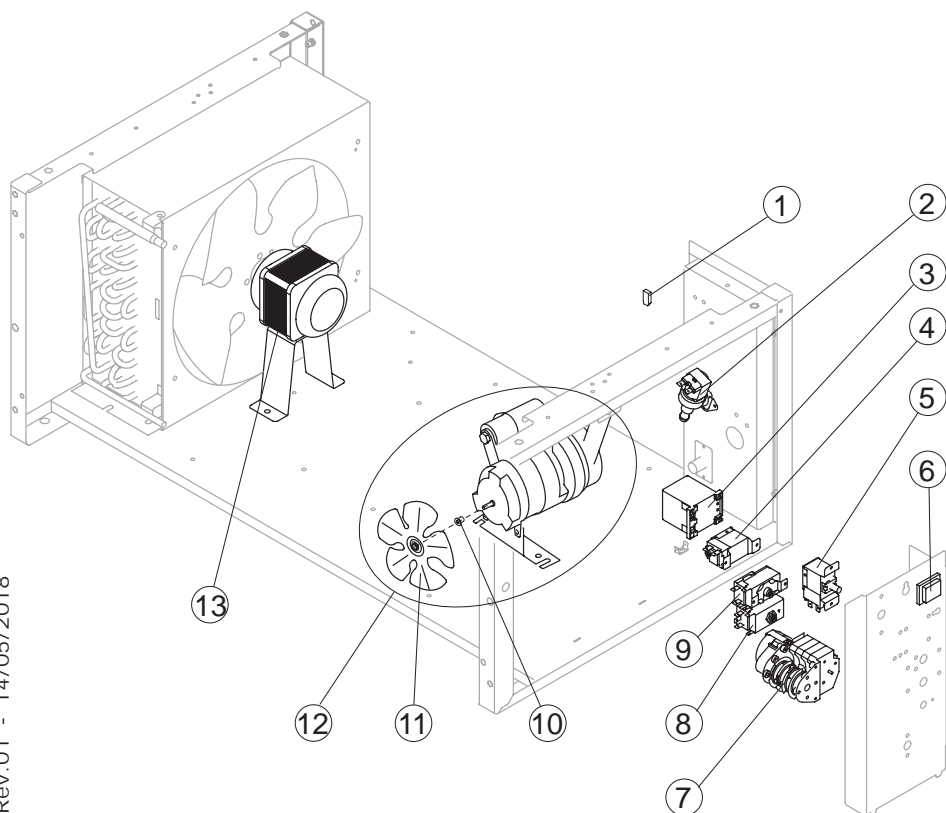
Kind of Cube	Code
18 g. (Standard)	D12098
33 g.	D12033
13 g.	D12040
42 g.	D12033
60 g.	D12084

Ref. 20* - Sprayers Bar Assy

Kind of Cube	Code
18 g. (Standard)	C20144
33 g.	C20157
13 g.	C20200
42 g.	C20157
60 g.	C20941

Rev.01 - 14/05/2018





Common Parts

Ref.	Spare Description	Code
2*	1 Way- Water Inlet Valve	See Table
3*	Teleruttore	See Table
5	Pressostato di Sicurezza	23342
6*	Interruttore luminoso verde (On-Off)	23327
7*	Timer	See Table
8*	Termostato Contenitore	R23421
9*	Termostato Evaporatore	R23591
10	Mozzo Fissaggio Ventola	10014
11	Ventola Aspirante	10213
12*	Assieme Pompa	See Table

Parts for Air-Cooled Version Only

Ref.	Spare Description	Code
1	Filtro Anti-Radiodisturbo	Solo T11 C23459
4*	Pressostato Condensatore	23175
13*	Motore Ventilatore	See Table

Ref. 2* - 1 Way- Water Inlet

Voltage	Cube 18g/13g	Cube 33g	Cube 42g/60g
T11	23220	23220	23787
T12	23220	23787	23787
T13	23281	23789	23789

Ref. 3* - Contactor

Voltage	Code
T11	23594
T12	23594
T13	231088

Ref. 7* - Timer

Voltage	Cube18g	Cube33g	Cube13g	Cube42g	Cube60g
T11	23247	23248	23472	23780	23922
T12	231082	231080	231077	231080	-
T13	23833	23786	23258	23786	-

Ref. 10* - Pump Assy

Voltage	Code
T11	C23462
T12	C23462
T13	C23663

Ref. 11* - Fan Motor

Voltage	Code
T11	23121
T12	23121
T13	23621