

# WAREWASHER

ELECTROMECHANICAL SWITCHES  
SIMPLE BODY VERSION

TYPE: 16U

Accessories

BOOSTER PUMP

DVGW

DETERGENT DISPENSER

DRAIN PUMP

---

## Spare parts

---



---

S/N:

Valid from:..03/2004

Rev.: 1.0

---

INFORMAZIONI GENERALI

Questo catalogo serve per richiedere con esattezza le parti di ricambio

Nelle ordinazioni indicare:

1) il numero dei codici dei particolari seguito dalla descrizione e la quantità desiderata;

2) Il codice alfa-numeric presente nella seconda colonna della tabella ;

**I disegni delle parti di ricambio sono solo indicativi e non rappresentano il pezzo in oggetto.**

**I dati contenuti in questo catalogo sono indicativi e possono essere soggetti a modifiche senza impegno di preavviso.**

ALLGEMEINE INFORMATIONEN

Dieser Ersatzteilkatalog dient zur genauen Angabe der Teile bei Ersatzteilbestellungen.

Bei Ersatzbestellung ist folgendes anzugeben:

1) Die Bestellnummer der Ersatzteile mit der entsprechenden Beschreibung genaue Menge;

2) Der alpha-numerischer Code auf der zweiten Reihe in dein Spalte;

**Die Zeichnungen der Ersatzteile sind nur als Hinweise gedacht und stellen nicht das betroffene Teil dar.**

**Bei den im Katalog angeführten Daten handelt es sich um Anhaltsdaten, die jederzeit, ohne Vorankündigung, geändert werden können.**

GENERAL INFORMATION

The present spare parts order exactly the right spare parts

When ordering specify:

1) the part's code number followed by its description and quantity needed;

2) The alpha-numeric code is in the second column in the chart;

**Spare parts drawings are general and do not represent the part.**

**The contents of this catalogue are general and can undergo changes without prior notice.**

INFORMACIONES GENERALES

El presente catálogo sirve para pedir con exactitud las partes de repuesto

En los pedidos se debe indicar:

1) el número de código de la parte y a continuación la descripción cantidad deseada;

2) El código alfanumerico presente en la signada columna de la tabla;

**Los diseños de las partes de recambio son solo indicativos y no representan la pieza en cuestión.**

**Los datos contenidos en el presente catálogo son indicativos y pueden modificarse sin aviso previo.**

INFORMATIONS GENERALES

Ce catalogue permet de commander correctement les pièces détachées

Les commandes doivent être passées en indiquant:

1) le numero de code des pièces détachées suivi de leur description quantité désirée;

2) le code alphanumérique dans la deuxième colonne du tableau;

**Les plans des pièces détachées sont fournis seulement à titre indicatif et ne représentent pas la pièce concernée.**

**Les données de ce catalogue sont citées seulement à titre indicatif et peuvent être l'objet de modifications sans avis préalable.**

ESEMPIO  
EXAMPLE  
EXEMPLE  
BEISPIEL

Rif.	Codici
MODULE:Particolari	
10505	540903
10510	540908
10515	15065/A
10520	540086
10525	540028

**Note**

Tutte le informazioni riportate si intendono aggiornate alla data di stampa. Il Produttore si riserva il diritto di apportare qualsiasi modifica richiesta dallo sviluppo evolutivo dei suddetti prodotti.

Per la sicurezza, la garanzia, l'affidabilità ed il valore della lavastoviglie usa solo ricambi originali.

**Attenzione**

Questo libretto è parte integrante della lavastoviglie e, in caso di passaggio di proprietà, deve essere consegnato al nuovo acquirente.

**Remarque**

Toutes les informations contenues dans ce manuel s'entendent mises à jour à la date d'impression. En raison du développement constant de ses produits, usine se réserve le droit d'apporter à tout instant les modifications qu'elle jugera utiles.

Pour la sécurité, la garantie, la fiabilité et la valeur de votre lavevaisselles n'utilisez que des pièces de rechange d'origine.

**Attention**

Ce manuel doit être considéré comme partie intégrante de la la lavevaisselles, en cas de transfert de propriété, doit toujours être remis au nouveau propriétaire.

**Note**

The information contained herein is valid at the time of going to print. The Company reserves the right to make any changes required by the future development of the above-mentioned products.

For your safety, as well as to preserve the warranty reliability and worth of your dishwashers, use original spare parts only.

**Warning**

This manual forms an integral part of the dishwashers and - if a transfer of title occurs - must always be handed over to the new owner.

**Hinweis**

Die Der Hersteller behält sich das Recht vor, jegliche, durch eine Weiterentwicklung der genannten Produkte bedingte Änderungen vornehmen zu können.

Verwenden Sie für Ihre Sicherheit, die Garantie, die Zuverlässigkeit und den Wert Ihrer machine originale Ersatzteile.

**Achtung**

Diese Betriebsanleitung ist Bestandteil des machine und muss bei seinem Weiterverkauf dem neuen Besitzer ausgehändigt werden.

## 1. Spare parts

General body parts.....	7
Lockup system .....	9
Control panel and switches.....	11
Electric control components.....	13
Solenoid valve group .....	15
Booster pump.....	17
DVGW .....	19
Rinse aid dispenser group.....	21
Boiler group .....	23
Connection group .....	25
Wash pump .....	27
Dosing detergent group.....	29
Drain pump group.....	31
Pressure switch group with air trap ...	33
Turret group with rotating arms .....	35
Turret group with rotating arms .....	37

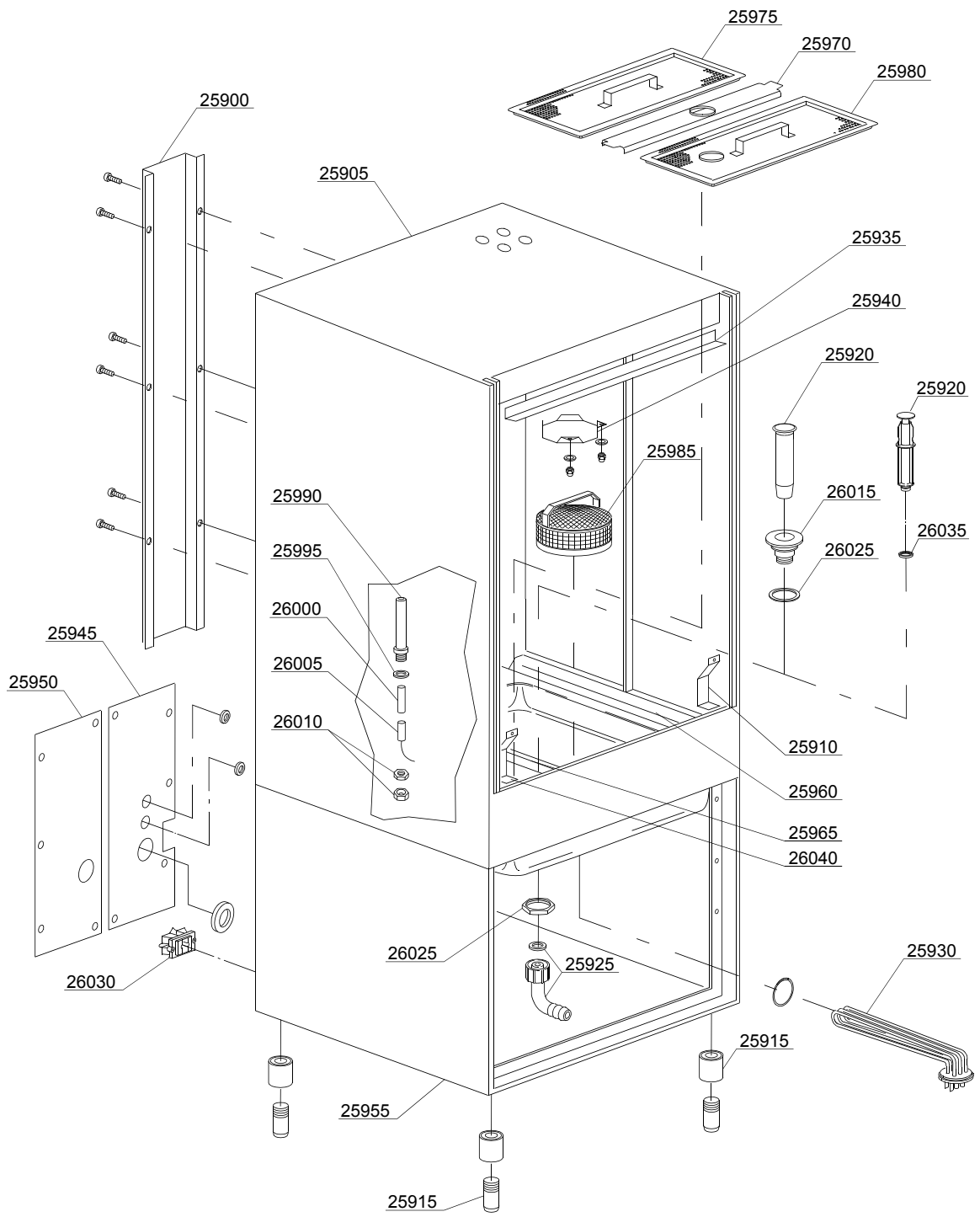


## 1.1 Voltage codes

Voltage code	Voltage
A	3/N/PE~400/230V 50Hz
B	~250V 16A 50Hz
C	3/N/PE~380/220V 50Hz
D	3/PE~200V 50-60Hz
F	2/PE 220-240V 50Hz
G	3/N/PE~415/240V 50Hz
H	3/PE~230V 50Hz
I	3/PE~220V 60Hz
J	3/PE~380 50Hz
K	3/PE~400V 50Hz
L	3/PE~415V 50Hz
M	3/PE~440V 60Hz
N	3/PE~460V 60Hz
O	3/PE~480V 60Hz
P	1/N/PE~220-240V 50Hz
R	2/PE~220-230V 60Hz
S	3/N/PE~400/230V 50Hz
T	3/PE~230V 60Hz

## 1.2 Product codes

Product code	Full name
Model codes	
em	ELECTROMECHANICAL SWITCHES
mc	SIMPLE BODY VERSION
Type codes	
16U	16U
Accessory codes	
pap	BOOSTER PUMP
dvgw	DVGW
dde	DETERGENT DISPENSER
ps	DRAIN PUMP



01\_022\_e

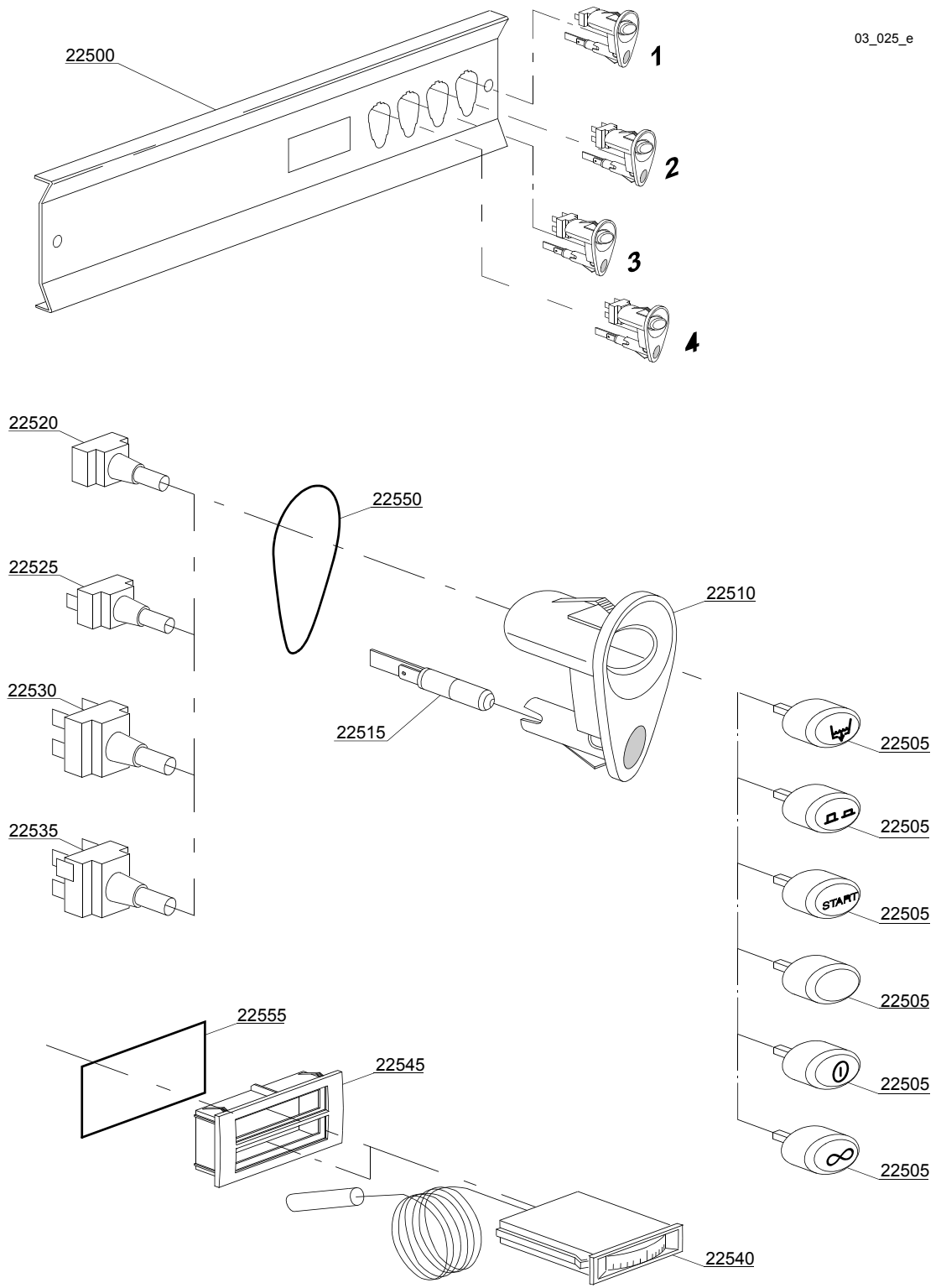






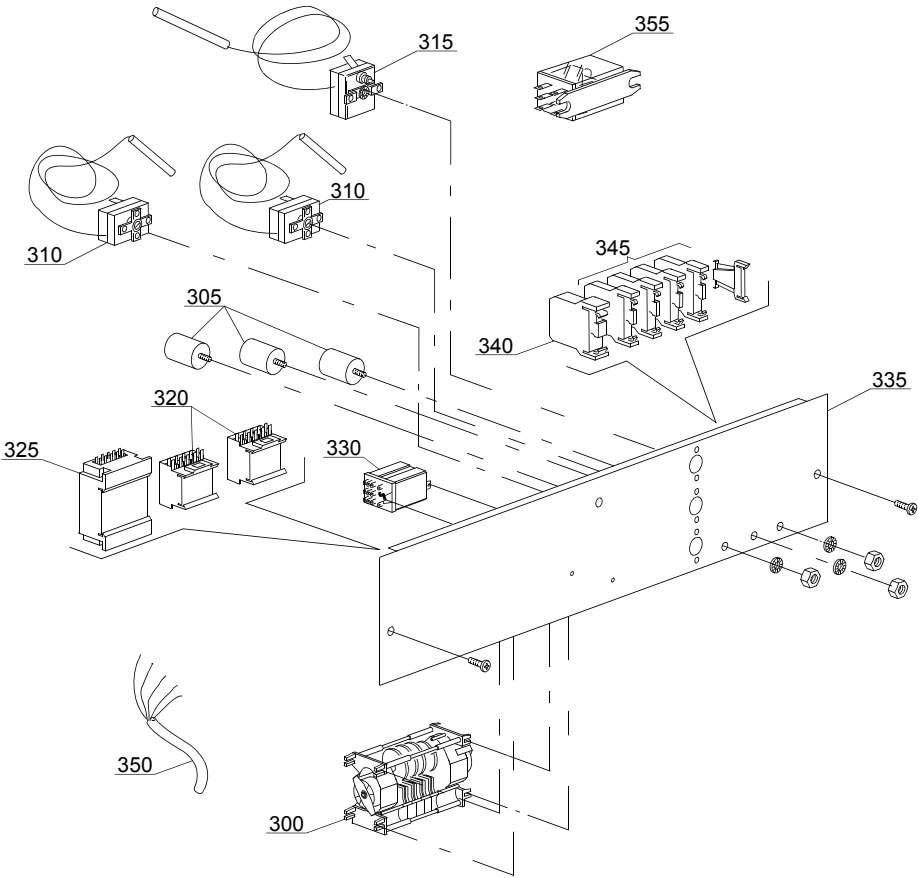
## Spare parts

ID	P-code	Model	Type	Accessory	Voltage	Description
MODULE: Lockup system						
21000	22206		16U			Door with steel handle
21005	22208		16U			Lower door
21010	22207		16U			Upper door
21015	22233		16U			Levers support
21020	22219		16U			Small cylinders
21025	22220		16U			Door rod
21030	22215		16U			Stainless steel handle
21035	22206/B		16U			Door support
21040	22220/A		16U			Hinge door
21045	80232		16U			Reed magnet



## Spare parts

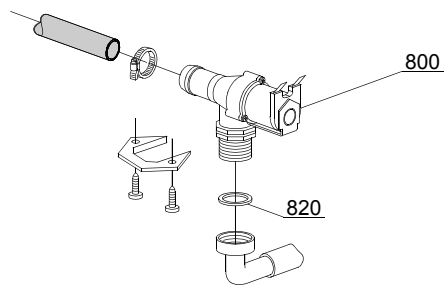
ID	P-code	Model	Type	Accessory	Voltage	Description
MODULE:Control panel and switches						
22500	23234		16U			Star control panel
22505	89343		16U	dp		Drain pump push button
22505	89342		16U			Time selector switch push button
22505	89341		16U			Start push button
22505	89348		16U			Blind push button
22505	89340		16U			ON-OFF push button
22505	89346		16U	cc		Continuous cycle push button
22510	89300		16U			Push button support
22515	15826		16U			Pilot lamp
22520	15844		16U			Push button support
22525	15813		16U			16A unipolar switch
22530	15812		16U			16A switch
22530	15800		16U			16A bipolar switch
22535	15811		16U			16A bipolar switch
22535	15811/A		16U			16A bipolar switch
22540	10500011		16U			Thermometer
22545	89306		16U			Double thermometer support
22550	89332		16U			OR O-ring
22555	89331		16U			OR O-ring



04\_011\_e

## Spare parts

ID	P-code	Model	Type	Accessory	Voltage	Description
MODULE:Electric control components						
300	22011		16U		A	120/240" timer with thermostop
300	22011/B		16U		A	120/240" timer - 200V 60Hz
305	15149		16U		A	Low noise filter
310	10707/1		16U		A	0-90°C thermostat
315	2000430		16U		A	Safety thermostat
320	15086		16U		A	Contactora 230V 50/60Hz 4C
325	10300050		16U		A	25A/12A contactor - 230V 50/60HZ
330	16037		16U		A	16A bipolar relay
335	22210		16U		A	Electric component panel
340	10300401		16U		A	6/8mm2 yellow/green terminal
345	10300403		16U		A	6mm2 terminal
350	80200		16U		A	5x4x3400 cable
350	75359		16U			4x6 flame-retardant cable
350	15145		16U			4x4x2500 cable
355	15620		16U	dp		Bipolar relay in deviation



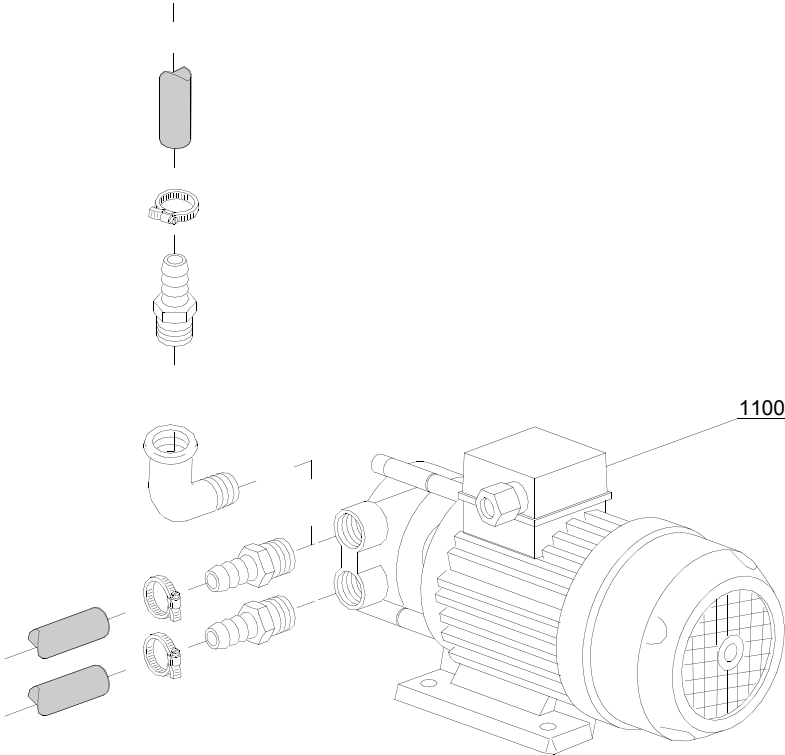
05\_005\_e

## Spare parts

---

ID	P-code	Model	Type	Accessory	Voltage	Description
MODULE: Solenoid valve group						
800	30001000		16U			Single solenoid valve
820	N.C.		16U			Pression reducing valve

07\_002\_e

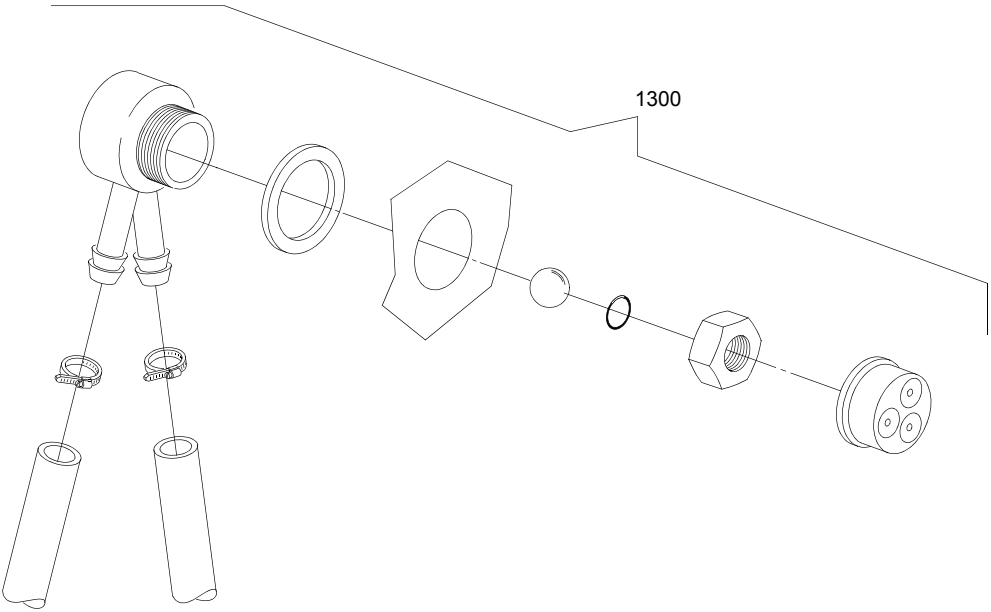




## Spare parts

---

ID	P-code	Model	Type	Accessory	Voltage	Description
MODULE:Booster pump						
1100	15100		16U	bp		Booster pump 0,5HP 220/240V
1100	15100/A		16U	bp		Booster pump - 0,5HP 60Hz

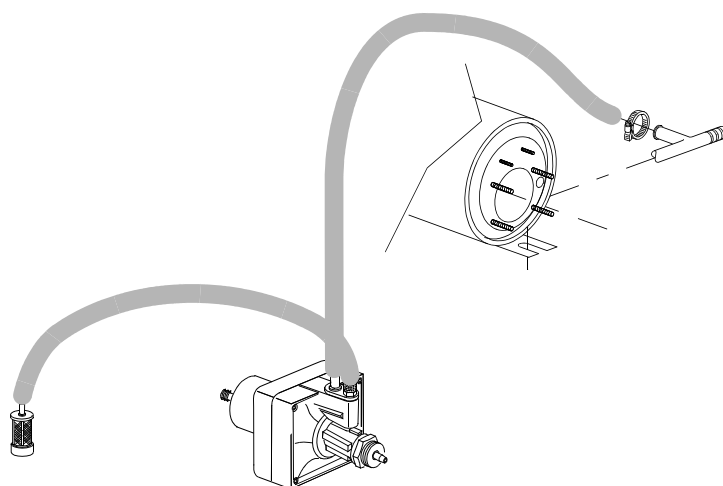
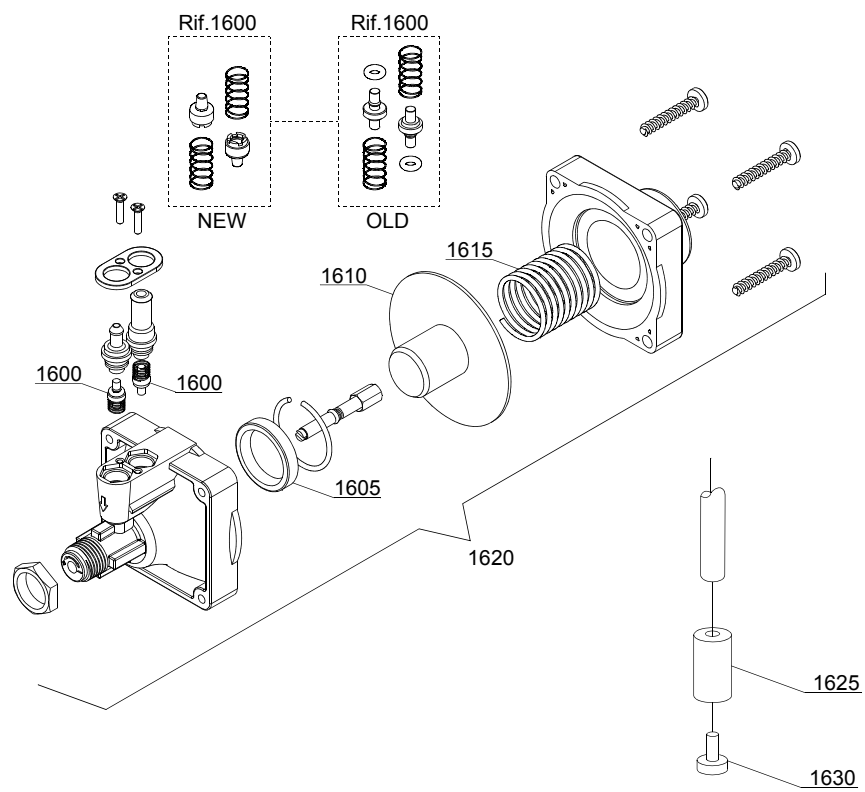


08\_005\_e

**Spare parts**

---

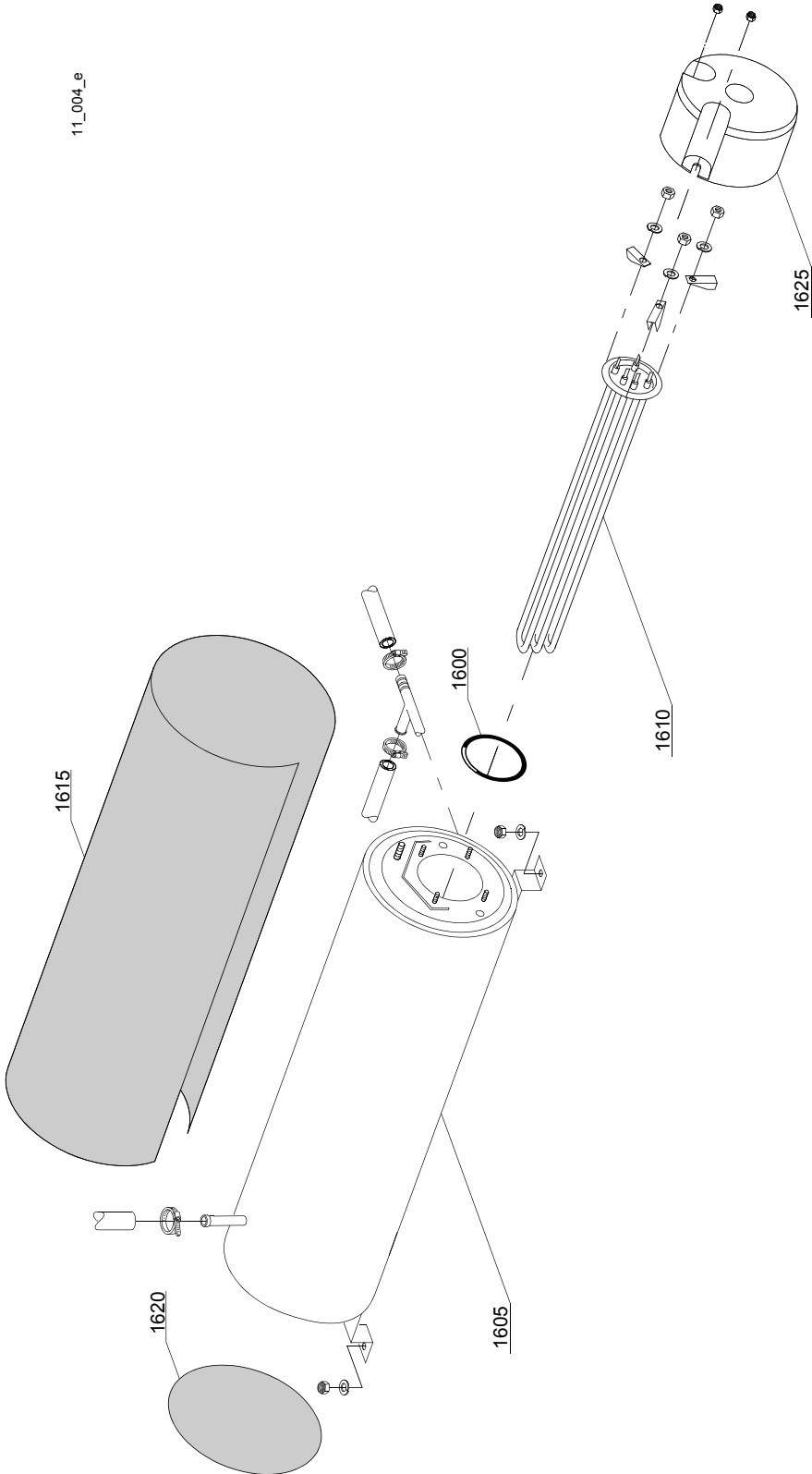
ID	P-code	Model	Type	Accessory	Voltage	Description
MODULE:DVGW						
1300	999900006		16U	dvgw		DVGW assembly



10\_003\_e

## Spare parts

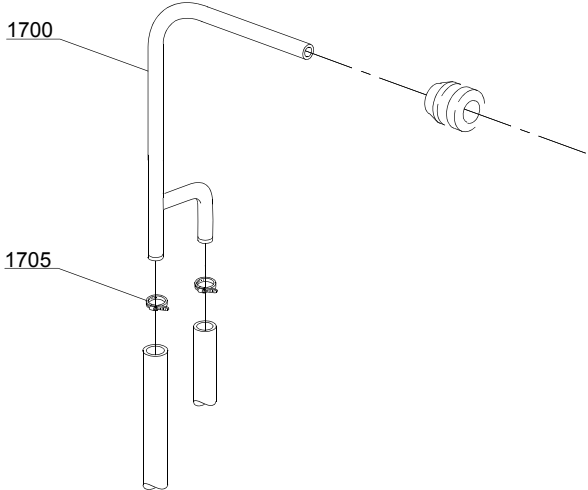
ID	P-code	Model	Type	Accessory	Voltage	Description
MODULE: Rinse aid dispenser group						
1600	10805		16U			Tecnopro non return valve
1605	10806		16U			Ø22 O-ring
1610	10807		16U			Membrane
1615	10808		16U			Spring
1620	10599999		16U			Rinse aid dispenser
1625	12525		16U			Counter-weight
1630	15058		16U			Small filter



## Spare parts

ID	P-code	Model	Type	Accessory	Voltage	Description
MODULE:Boiler group						
1600	13015		16U			6225 OR 160 NBR O-ring
1605	22002		16U			Boiler
1610	30001010		16U			6/6,53KW 230/240/3 heating element
1610	30001011		16U			9/9,8KW 230/240/3 heating element
1615	30002030		16U			Insulation boiler
1620	75205		16U			Ø160 end piece

12\_007\_e

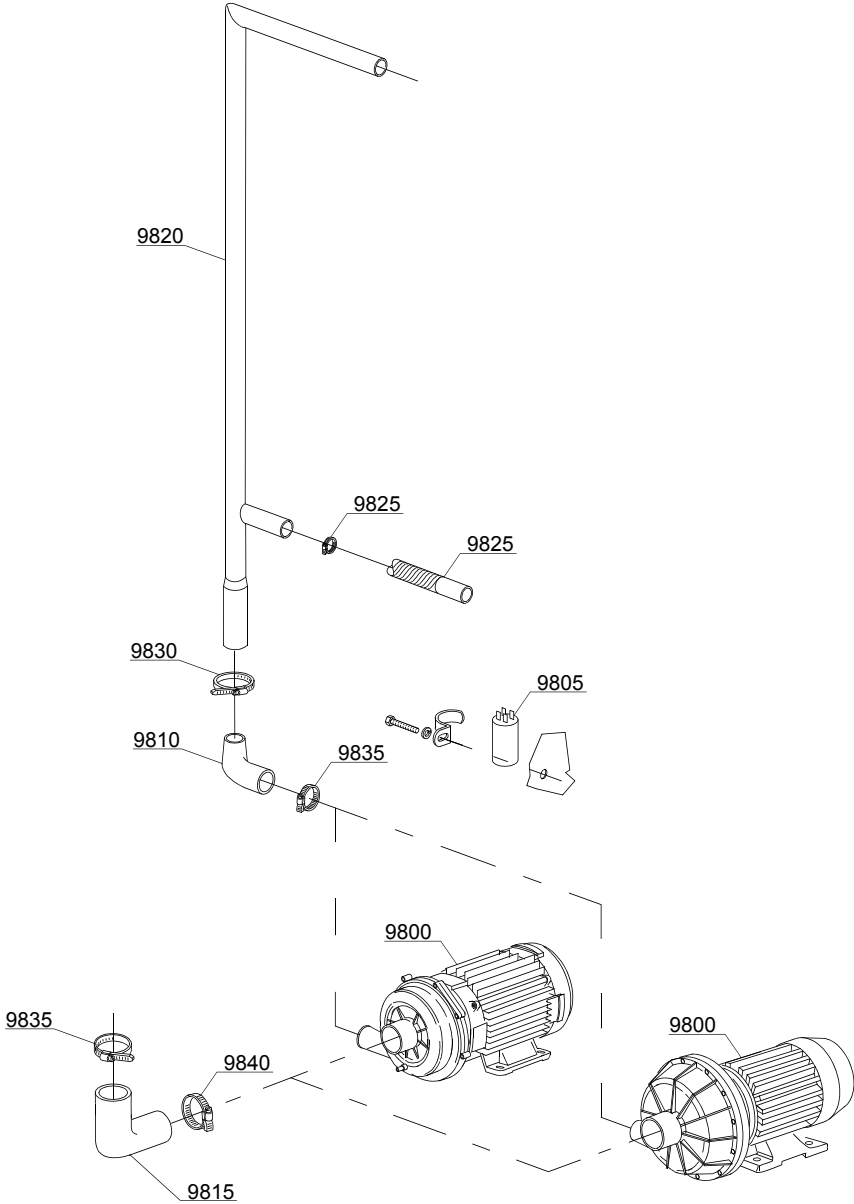




## Spare parts

---

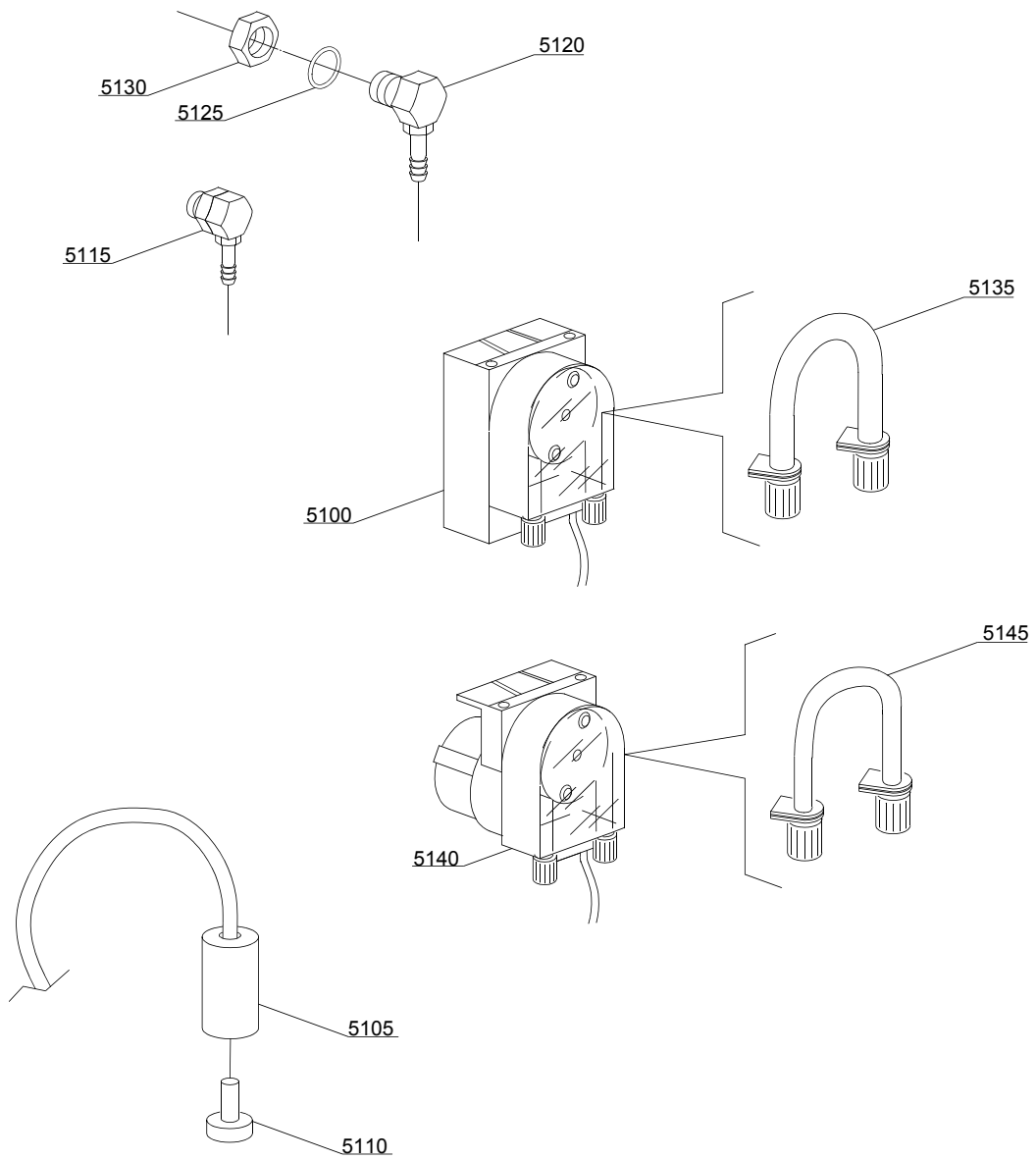
ID	P-code	Model	Type	Accessory	Voltage	Description
MODULE:Connection group						
1700	15045/B		16U			3 ways connection
1705	11807		16U			12/22 clamp



13\_108\_e

## Spare parts

ID	P-code	Model	Type	Accessory	Voltage	Description
MODULE:Wash pump						
9800	22037		16U			2Hp pump
9800	22037/3		16U			2Hp pump - 60Hz
9810	16170/M		16U			Delivery side pipe coupling
9815	15032/A		16U			Suction pipe coupling
9820	21205		16U			Wash ramp
9820	23203		16U			Wash ramp
9825	15033/A		16U			Lower delivery wash pipe
9830	11809		16U			30/45 clamp
9835	11824		16U			50/70 clamp
9840	2902491		16U			60/80 clamp

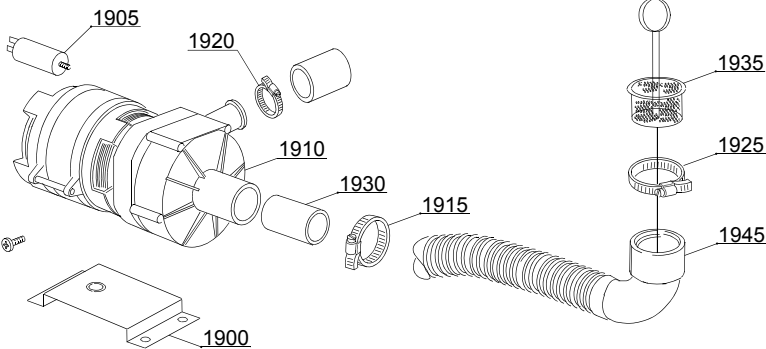


14\_004\_e

## Spare parts

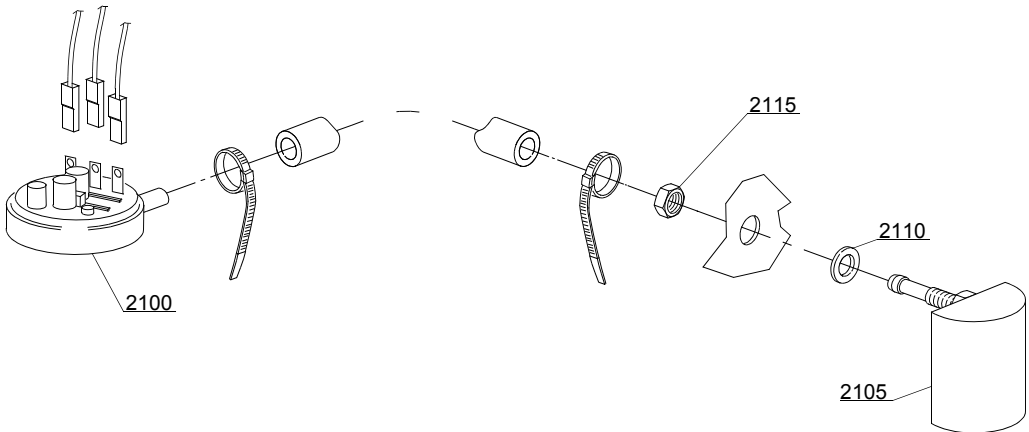
ID	P-code	Model	Type	Accessory	Voltage	Description
MODULE:Dosing detergent group						
5100	15985		16U	dd		Seko detergent pump
5105	12525		16U	dd		Counter-weight
5110	15058		16U	dd		Small filter
5115	15123		16U	dd		Compleat plastic injector
5120	15148		16U	dd		Steel injector
5125	15159		16U	dd		OR O-ring
5130	10200205		16U	dd		M12x1 stainless steel nut
5135	15185		16U	dd		Seko thermoplastic pipe
5140	15985		16U	dd		Germac detergent pump
5145	15108/E		16U	dd		Germac thermoplastic pipe

15\_003\_e



## Spare parts

ID	P-code	Model	Type	Accessory	Voltage	Description
MODULE:Drain pump group						
1905	10702		16U	dp		5 uF condenser
1910	10501/A		16U	dp		190W 230V drain pump
1915	11806		16U	dp		25/40 clamp
1920	11836		16U	dp		20/32 clamp
1925	11809		16U	dp		30/45 clamp
1930	18044		16U	dp		Ø28 top wash pipe
1935	10200039		16U	dp		Flow drain filter
1945	18767		16U	dp		Drain coude/pump connection pipe

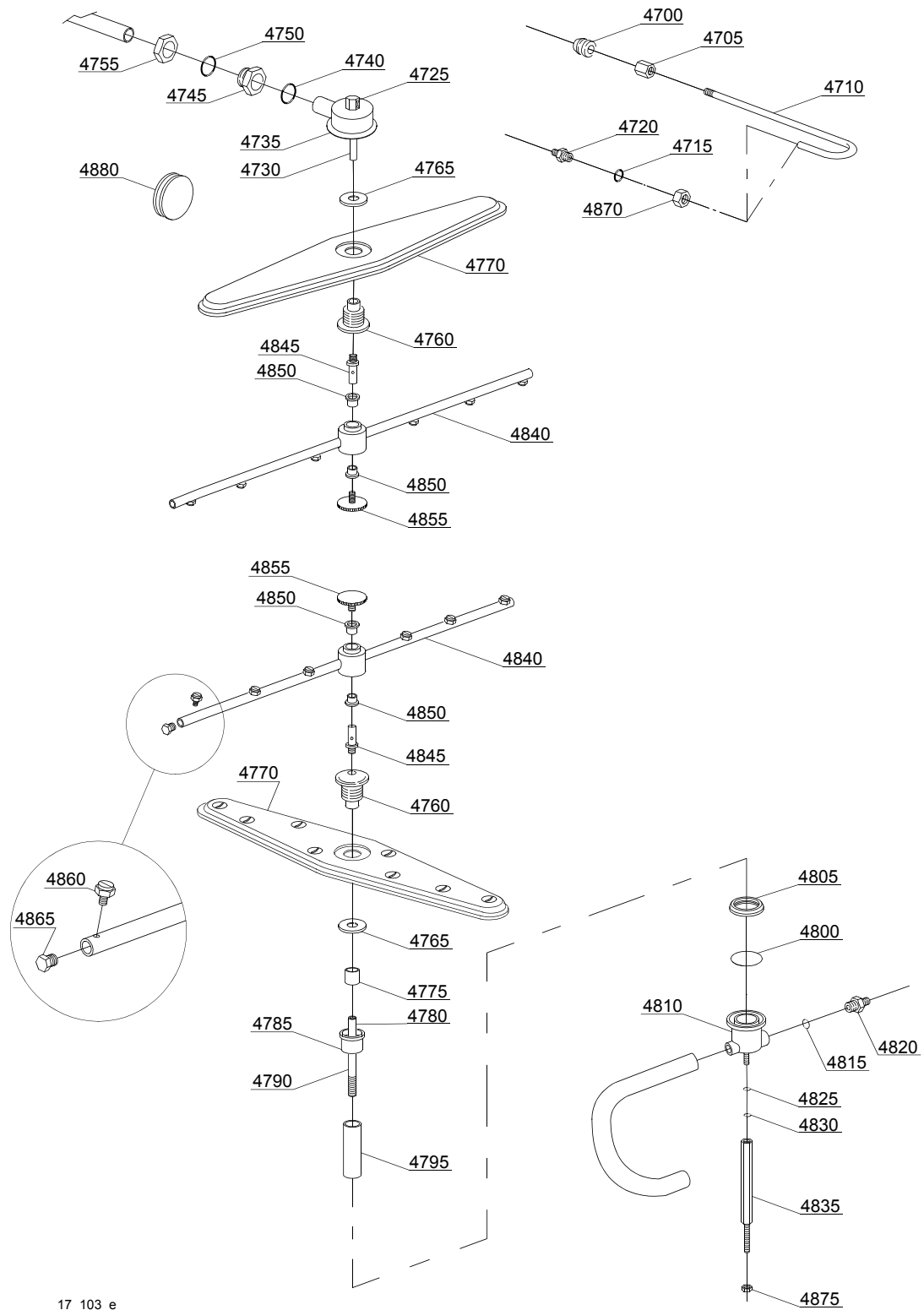


16\_001\_e



## Spare parts

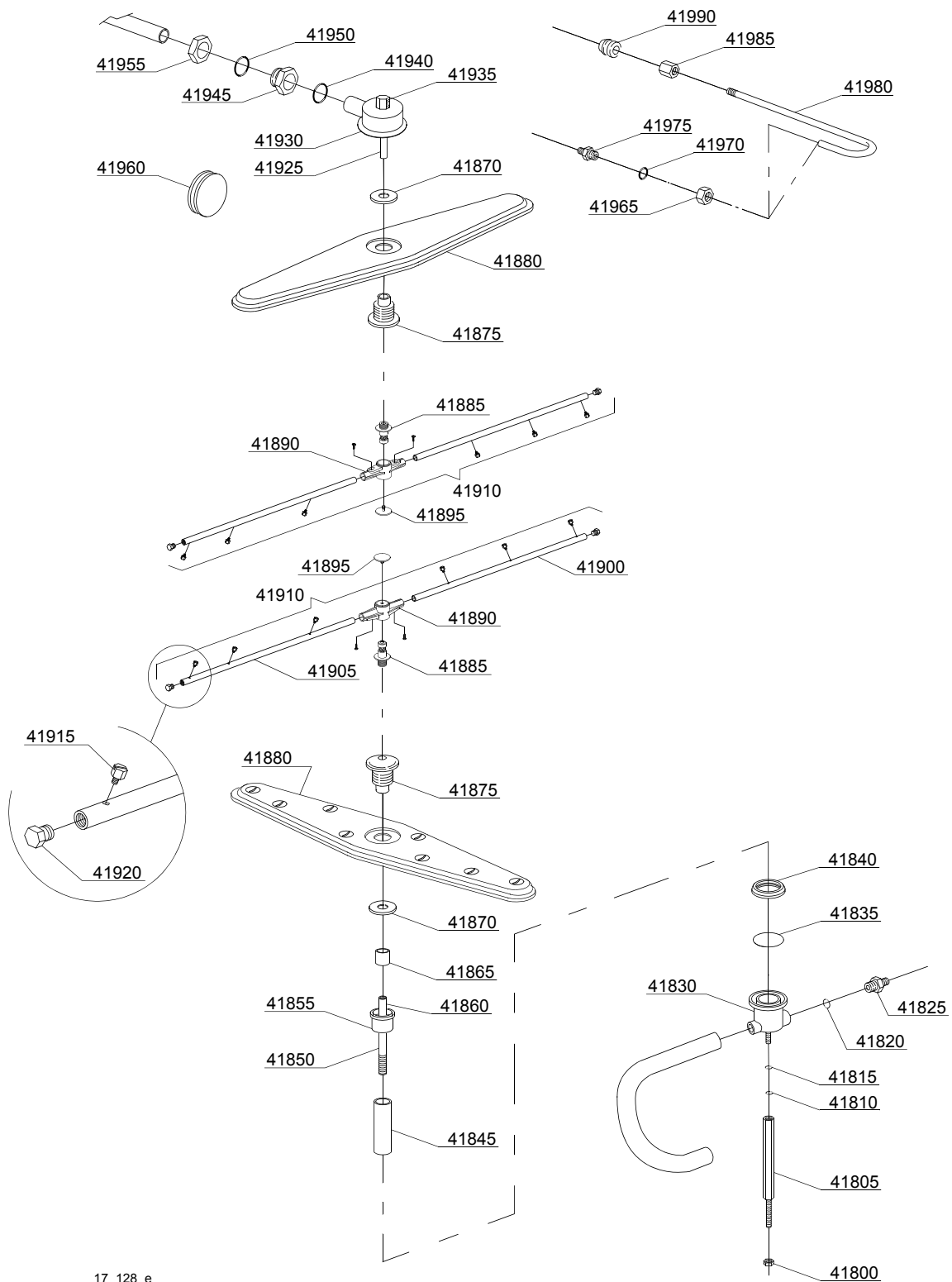
ID	P-code	Model	Type	Accessory	Voltage	Description
MODULE:Pressure switch group with air trap						
2100	75950		16U			86-59 pressure switch
2105	135911/C		16U			Air trap assembly
2110	13301		16U			O-ring
2115	11702		16U			M8 stainless steel nut



17\_103\_e

## Spare parts

ID	P-code	Model	Type	Accessory	Voltage	Description
MODULE:Turret group with rotating arms						
4700	13304		16U			Pipe-pass O-ring
4705	12526		16U			Stainless steel nut coupling
4710	75066		16U			Top rinse pipe
4715	13003		16U			OR 112 NBR O-ring
4720	12006		16U			Ø10 rinse pipe fitting
4725	75319		16U			Rinse elbow
4730	75322		16U			Top rinse axle
4735	75067		16U			Stainless steel turret
4740	13004		16U			OR 3137 NBR O-ring
4745	15042		16U			1" 1/4 ring nut
4750	13008		16U			OR 147 NBR O-ring
4755	15042/A		16U			Nut
4760	75320		16U			Wash arm bearing
4765	75317		16U			Nut for wash arm bearing
4770	75915		16U			Stainless steel wash rotor
4775	75321		16U			Spacer for hub
4780	75315		16U			Rinse axle extension
4785	15040/A		16U			Lower wash bell-shape
4790	22026		16U			Lower extension axle
4795	22050		16U			Steel pipe coupling
4800	13022		16U			OR 4150 O-ring
4805	15038		16U			Ring nut connection
4810	15041/A		16U			Grey wash/rinse lower distributor
4815	13003		16U			OR 112 NBR O-ring
4820	12506		16U			Ø10 rubber-holder
4825	11185		16U			8x16 steel plane washer
4830	13313		16U			8x24x2 O-ring
4835	22024		16U			Lower tie rod
4840	75918		16U			Top/lower rinse arm complete
4845	75323		16U			Rinse axle
4850	13330		16U			Sliding washer
4855	11101/B		16U			Stainless steel group fixing screw
4860	560018		16U			Stainless steel rinse nozzle
4865	560017		16U			Rinse arm plug
4870	12006/A		16U			Ø10 pipe fitting 3/8x3,5 nut 19 hexagonal
4875	11702		16U			M8 stainless steel nut
4880	13316/A		16U			DVGW hole O-ring



17\_128\_e

## Spare parts

ID	P-code	Model	Type	Accessory	Voltage	Description
MODULE:Turret group with rotating arms						
41800	11702		16U			M8 stainless steel nut
41805	22024		16U			Lower tie rod
41810	13313		16U			8x24x2 O-ring
41815	11185		16U			8x16 steel plane washer
41820	13003		16U			OR 112 NBR O-ring
41825	12506		16U			Ø10 rubber-holder
41830	15041/A		16U			Grey wash/rinse lower distributor
41835	13022		16U			OR 4150 O-ring
41840	15038		16U			Ring nut connection
41845	22050		16U			Steel pipe coupling
41850	22026		16U			Lower extension axle
41855	15040/A		16U			Lower wash bell-shape
41860	75315		16U			Rinse axle extension
41865	75321		16U			Spacer for hub
41870	75317		16U			Nut for wash arm bearing
41875	75320		16U			Wash arm bearing
41880	75915		16U			Stainless steel wash rotor
41885	10651		16U			Rinse axle
41890	10650		16U			Rinse arm
41895	10652		16U			Rinse arm screw
41900	10657		16U			Right rinse arm - stainless steel nozzle
41905	10658		16U			Left rinse arm - stainless steel nozzle
41910	75918		16U			Top/lower rinse arm complete
41915	560018		16U			Stainless steel rinse nozzle
41920	560017		16U			Rinse arm plug
41925	75322		16U			Top rinse axle
41930	75067		16U			Stainless steel turret
41935	75319		16U			Rinse elbow
41940	13004		16U			OR 3137 NBR O-ring
41945	15042		16U			1" 1/4 ring nut
41950	13008		16U			OR 147 NBR O-ring
41955	11101/B		16U			Stainless steel group fixing screw
41960	13316/A		16U			DVGW hole O-ring
41965	12006/A		16U			Ø10 pipe fitting 3/8x3,5 nut 19 hexagonal
41970	13003		16U			OR 112 NBR O-ring
41975	12006		16U			Ø10 rinse pipe fitting
41980	75066		16U			Top rinse pipe
41985	12526		16U			Stainless steel nut coupling
41990	13304		16U			Pipe-pass O-ring