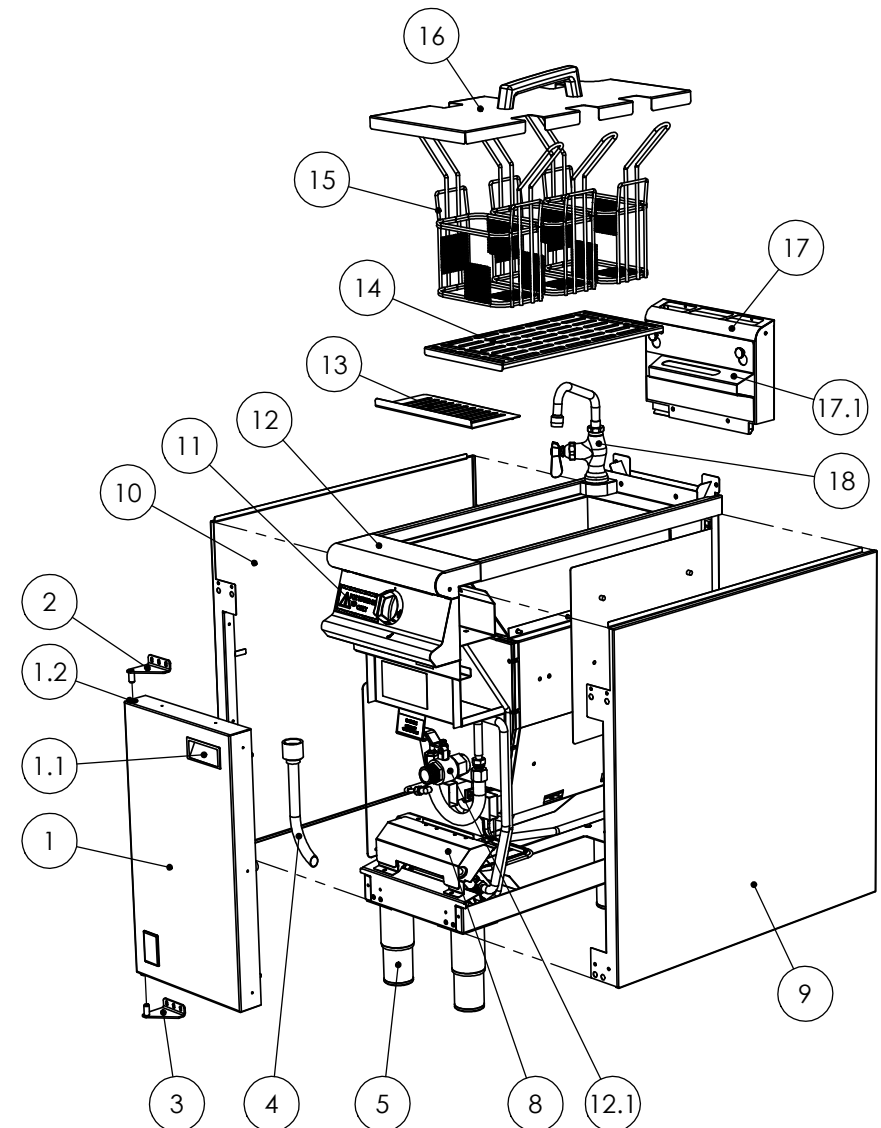


DOMINATOR PLUS

| ITEM | DESCRIPTION | SPARES No |
|------|---|-----------|
| 1 | DOOR ASSEMBLY | 535650002 |
| 1.1 | DOOR HANDLE | 736010020 |
| 1.2 | DOOR HINGE BUSH (x2) | 536060036 |
| 2 | DOOR HINGE - TOP | 535200006 |
| 3 | DOOR HINGE - BOTTOM | 535200007 |
| 4 | DRAIN TUBE ASSEMBLY | 535710015 |
| 5 | ADJUSTABLE FOOT | 535290028 |
| 6 | CASTOR - BRAKED (x2) - NOT SHOWN | 536430110 |
| 7 | CASTOR - FIXED (x2) - NOT SHOWN | 536470013 |
| 8 | GAS VALVE COVER C/W HINGES | 535670003 |
| 9 | OUTER SIDE PANEL - RH | 535670004 |
| 10 | OUTER SIDE PANEL - LH | 535670005 |
| 11 | CONTROL PANEL | 535650003 |
| 12 | HOB/PAN ASSEMBLY C/W INSULATION & DRAIN VALVE | 535650004 |
| 12.1 | DRAIN VALVE ASSEMBLY | 535670008 |
| 13 | DRAINING SHELF | 535650005 |
| 14 | PASTA PLATE | 535650006 |
| 15 | BASKET (x1) | 535750007 |
| 16 | DUST COVER | 535650007 |
| 17 | FLUE ASSEMBLY | 535650008 |
| 17.1 | BULK PASTA BASKET HANGER | 535650009 |
| 18 | WATER TAP / FAUCET | 535650010 |



| Issue | Alteration | Date | Product | Document Reference |
|-------|---------------|----------|---------|--------------------|
| A | Initial Issue | 09/08/11 | E3203 | AD49158 |