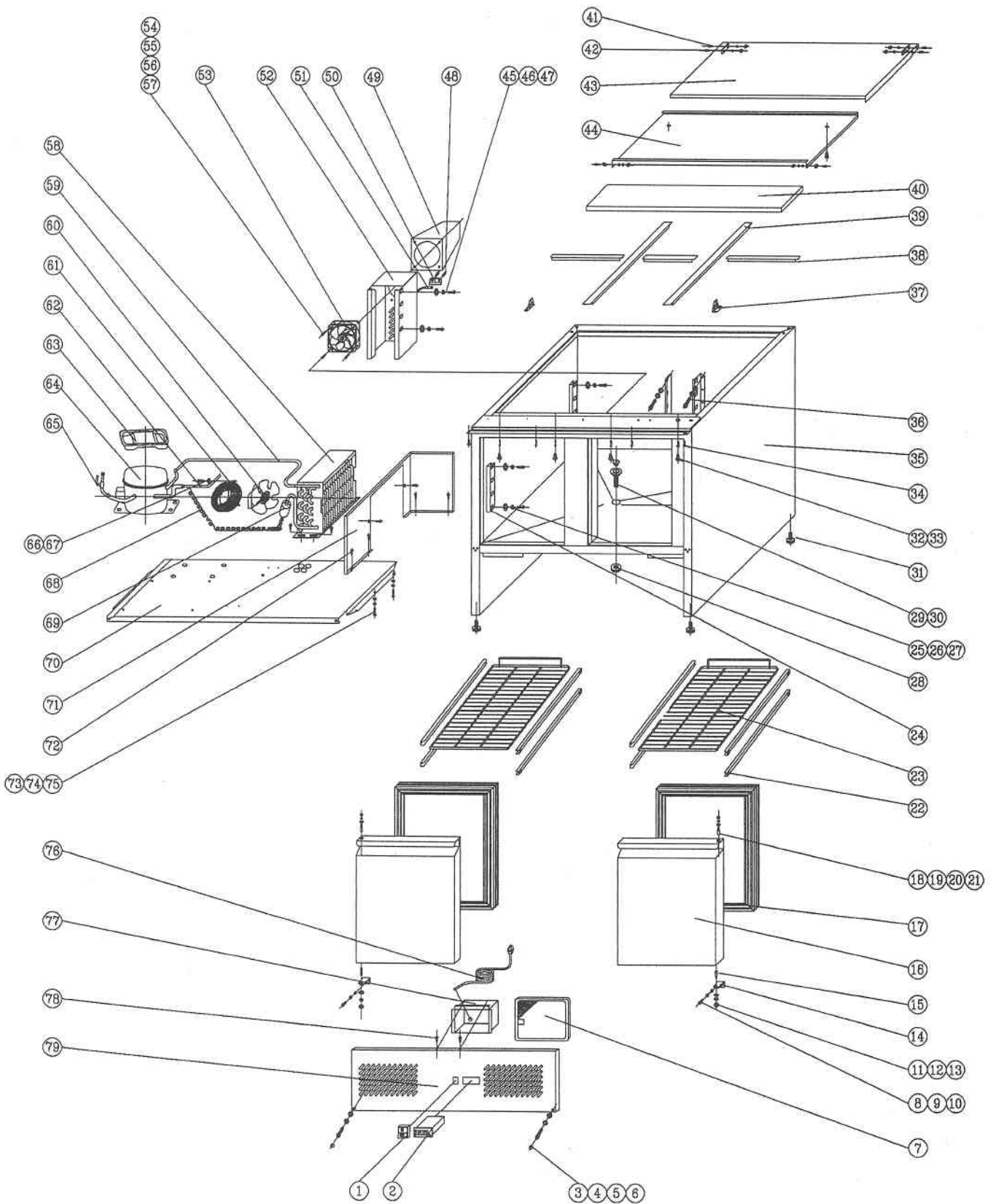




**Kühlung
Saladette**

Artikel-Nr. 611007
(ER012)

Explosionszeichnung / Ersatzteile



					EXPLODE OF S900			晟宝制冷设备有限公司	
标记	数量	更改文件号	签字	日期	图样标记		数量	比例	S900
设计			审核						
制图			标准化						
工艺			批准						
校对			日期		共	张	第	张	

S900

Number	Name	Number	Name
1	Main Switch	41	S/S Nut M5
2	Thermostat	42	Strengthening Board and Axis
3	Plastic Cap	43	Fixed Cover
4	S/S Bolt M5×12	44	Movement Cover
5	S/S Spring Washer M5	45	S/S Bolt 5×12
6	S/S Flat Washer M5	46	S/S Flat Washer M5
7	Filter	47	S/S Spring Washer M5
8	S/S Bolt 5×16	48	4×16 Screws
9	S/S Spring Washer M5	49	Airflow Duct
10	S/S Flat Washer M5	50	Sensor Clip
11	S/S Door Axis	51	Sensor
12	Door Axis Spring Washer M5	52	Circle Fan Support
13	Door Axis Flat Washer M5	53	Circle Fan
14	Down Hinge	54	S/S Bolt 4×50
15	Door Axis Cap	55	S/S Flat Washer M4
16	S/S Door Body	56	S/S Spring Washer M4
17	Gasket	57	S/S Nut M4
18	S/S Door Axis	58	Condenser
19	S/S Nut M5	59	Discharge Tube
20	S/S Spring Washer M5	60	Condenser Fan EBM
21	S/S Flat Washer M5	61	Condenser Fan Cover
22	Guides	62	Suction Tube
23	Shelf	63	Water Pan
24	Support for Guides	64	Compressor
25	S/S Bolt 5×12	65	Process Valve
26	S/S Flat Washer M5	66	4×16 Screws
27	S/S Spring Washer M5	67	S/S Flat Washer M5
28	Drain Pipe Nut	68	Capillary
29	Drain Pipe	69	Filter Drier
30	Drain Pipe Cover	70	Unit Board
31	Feet	71	Condenser Cover Board
32	4×16 Screw	72	4×16 Screws
33	Plastic Cap	73	Steels Zinc Bolt 5×20
34	4×16 Screw	74	Steels Zinc Flat Washer M5
35	S900 Body	75	Steels Zinc Spring Washer M5
36	S/S Bolt 5×12	76	Power Plug
37	Cover Hinge	77	Junction Box
38	Middle Support	78	4×16 Screws
39	Longer Support	79	Front Panel
40	Cutting Board	80	