

NME454, 654 & FME504, 804 SERVICE PARTS

This parts list contains the service parts and wiring diagrams for this model. Check the model number in question to be sure that it is applicable to this parts list. Caution: This model ice maker has been manufactured in two voltages: 115/60/1 and 230/50/1.

The model numbers for the 115/60/1 include:

- FME504AS-1A and FME504WS-1A
- FME804AS-1A and FME804WS-1A
- FME804AS-1B and FME804WS-1B
- NME454AS-1A and NME454WS-1A
- NME654AS-1A and NME654WS-1A
- NME654AS-1B and NME654WS-1B

The model numbers for the 230/50/1 include:

- FME804AS-6A and FME804WS-6A
- FME804AS-6B and FME804WS-6B
- NME654AS-6A and NME654WS-6A
- NME654AS-6B and NME654WS-6B

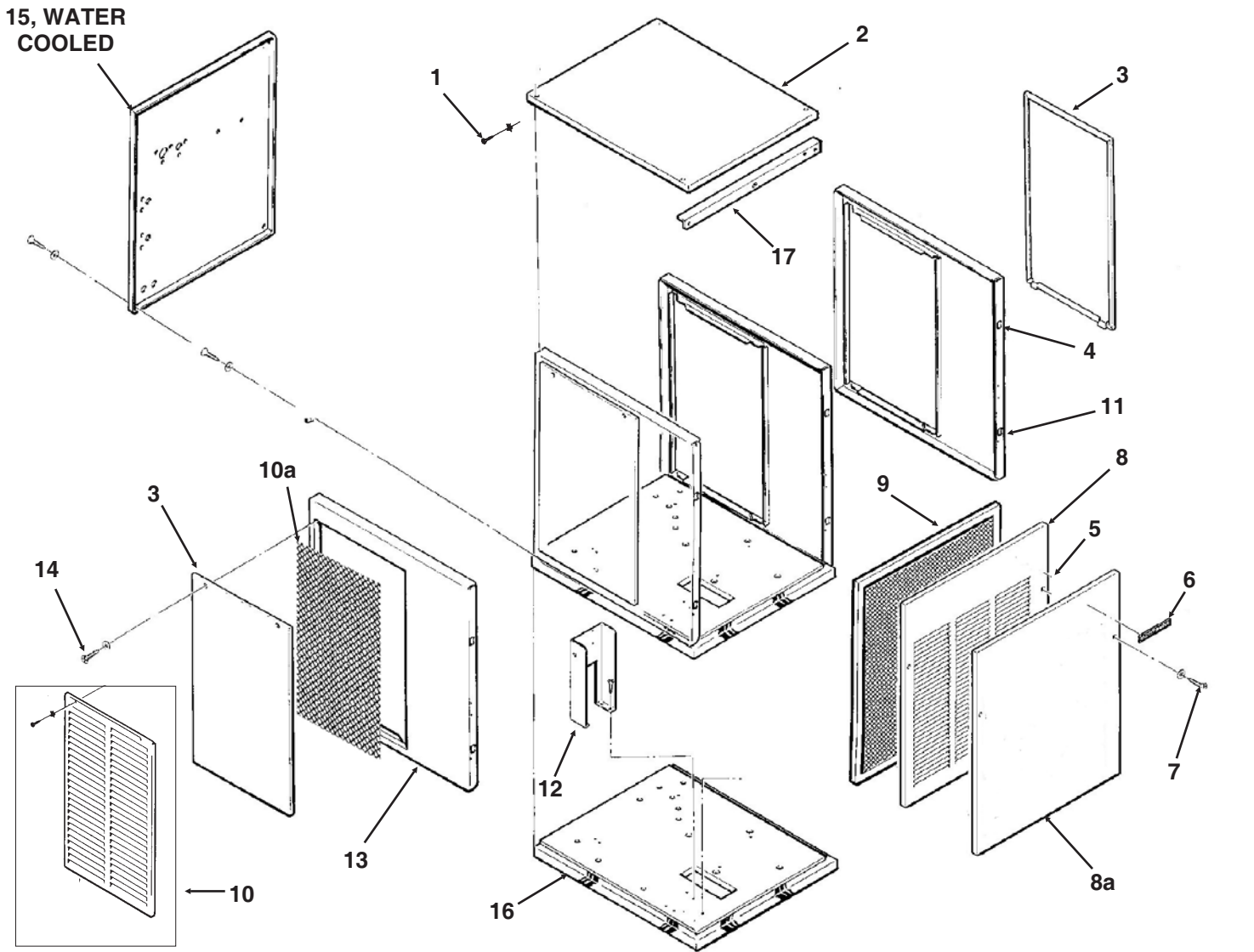
For electrical components, check to be certain that the part is the correct voltage for the machine.

Table of Contents

| | |
|---|---------|
| Cabinet Assembly | Page 2 |
| Air Cooled Refrigeration | Page 3 |
| Water Cooled Refrigeration | Page 4 |
| Water System | Page 5 |
| Gearmotor | Page 6 |
| FME504 or FME804 Evaporator | Page 7 |
| NME454 or NME654 Evaporator | Page 8 |
| Control Box | Page 9 |
| NME654, FME804 Component Layout Diagram | Page 10 |
| NME654, FME804 Schematic Diagram | Page 11 |
| NME654 or FME804 -6 | Page 12 |
| NME454 or FME804 Wiring Diagram | Page 13 |
| NME454 or FME804 Schematic Diagram | Page 14 |

NME454, 654 & FME504, 804 SERVICE PARTS

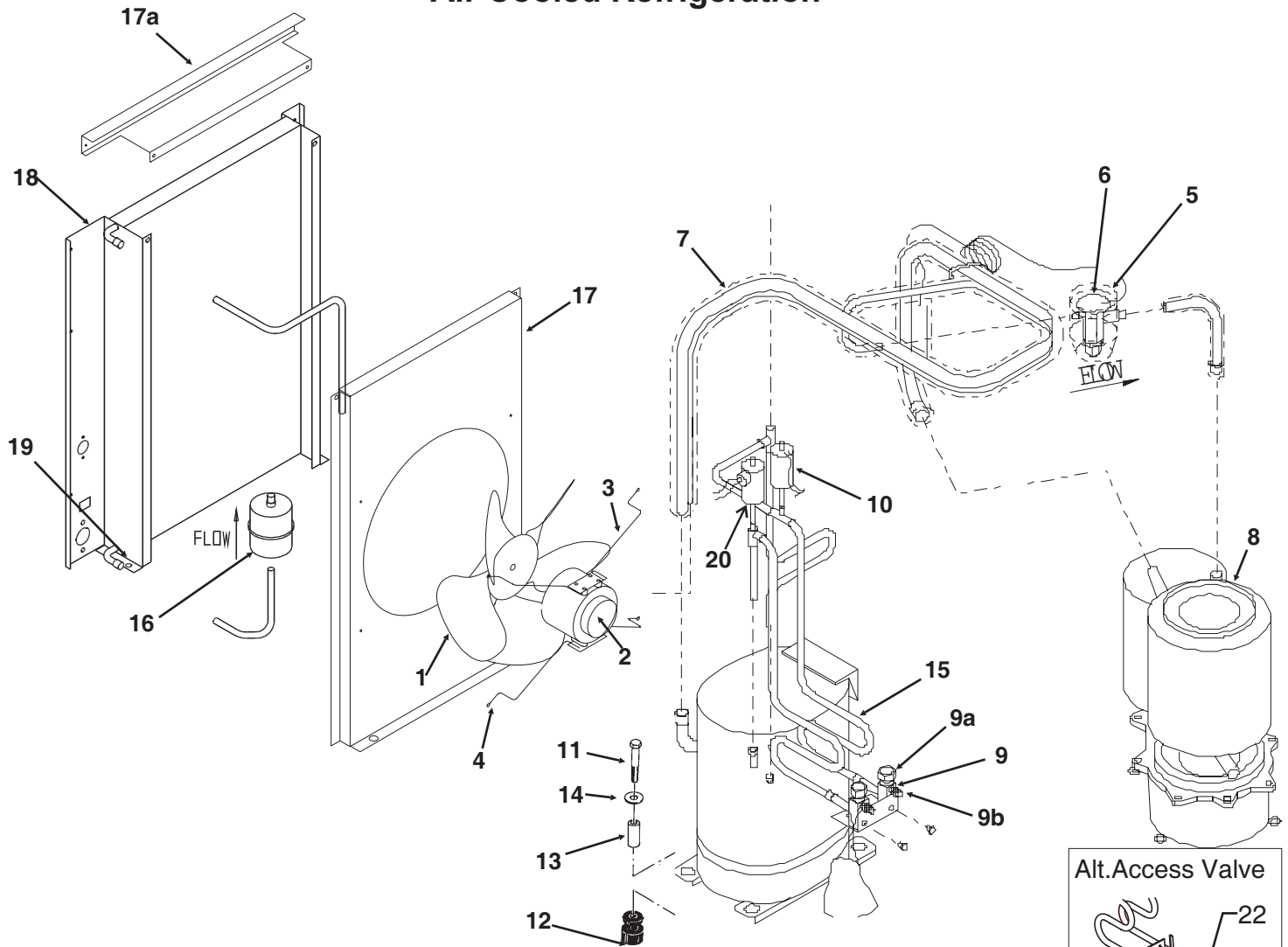
Cabinet Assembly



| ITEM NUMBER | PART NUMBER | DESCRIPTION | ITEM NUMBER | PART NUMBER | DESCRIPTION |
|-------------|-------------|--|-------------|-------------|------------------------------|
| 1 | 03-1531-01 | Screw | 10 | A33946-002 | Louvered service panel |
| 2 | A33256-002 | Top panel, S.S. | 10a | A32975-001 | Air filter media |
| 3 | A34038-002 | Non- louvered service panel | 11 | 02-0836-00 | Catch |
| 4 | A33292-002 | Right side panel, S.S. | | 15-0411-00 | Strike |
| 5 | 03-0271-00 | Speed Clip | | 03-1406-04 | Nut |
| 6 | 15-0808-01 | Emblem | 12 | A34039-001 | Control Box Support |
| 7 | 03-1419-22 | Screw | 13 | A32435-002 | Left side panel, S.S. |
| 8 | A33255-002 | Louvered front panel | 14 | 03-1404-12 | Screw |
| 8a | A39048-001 | Non-louvered front panel | 15 | A35924-002 | Rear panel, water cooled, SS |
| 9 | 02-2976-01 | Air Filter | 16. | A35890-020 | Base |
| | 03-1660-01 | Filter clip (for front air cooled only) | 17 | A34348-001 | Front Brace, Air Cooled |

NME454, 654 & FME504, 804 SERVICE PARTS

Air Cooled Refrigeration



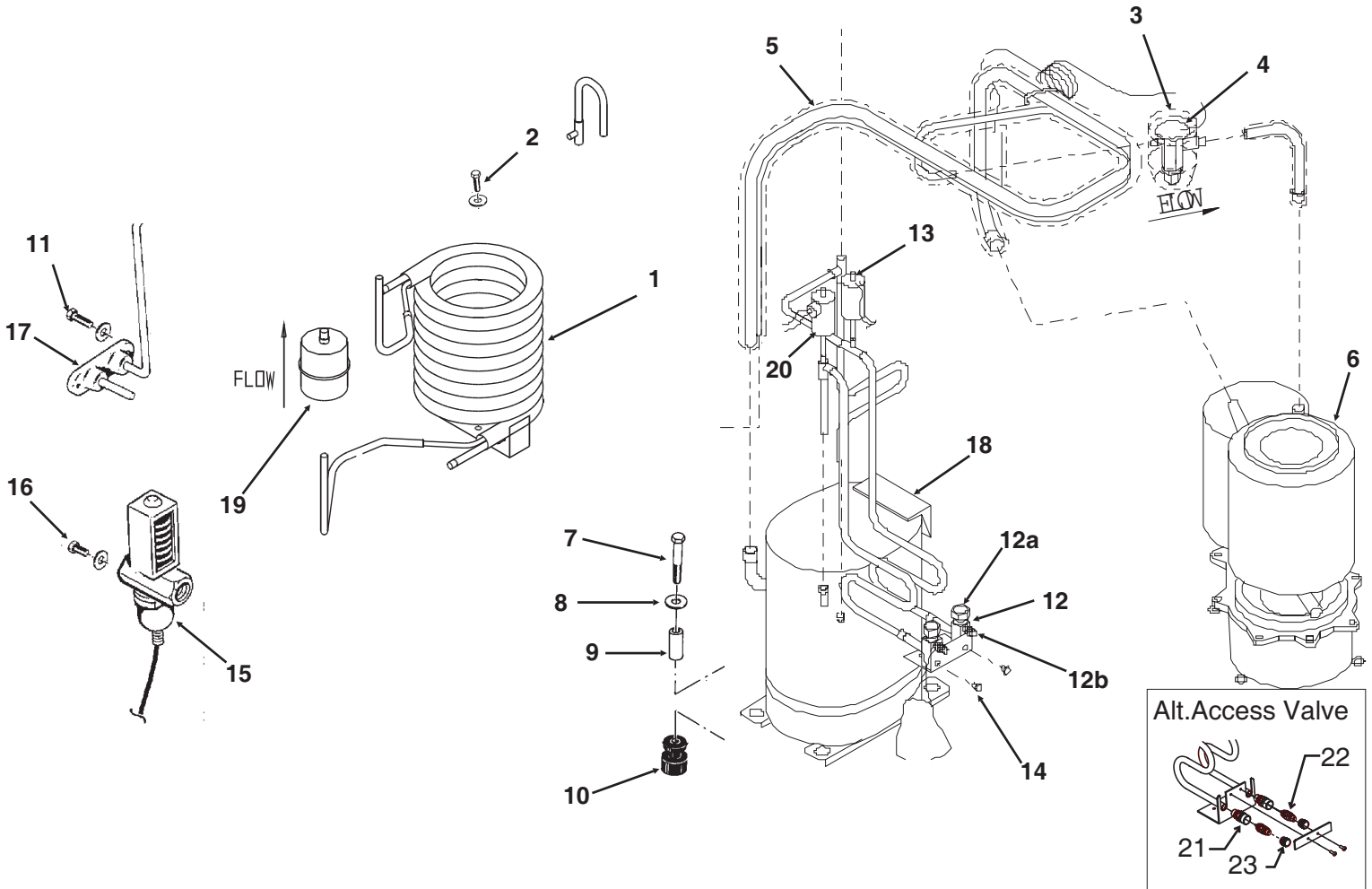
| ITEM NUMBER | PART NUMBER | DESCRIPTION |
|-------------|-------------|-----------------------------|
| 1 | 18-8747-01 | Fan blade |
| 2 | 18-8736-01 | Fan motor, 115v/60 Hz |
| | 18-8736-04 | Fan motor, 230v/50 Hz |
| 3 | A38850-001 | Fan Bracket* |
| 4 | 03-1531-01 | Screw for wire form bracket |
| | 03-1645-01 | Screw used after 5/05 |
| 5 | A32961-020 | Insulation Kit (3 piece) |
| 6 | 11-0488-21 | TXV for all but 454, 504 |
| | 11-0488-22 | TXV for NME454, FME504 |
| 7 | A35870-001 | Suction Line |
| 8 | A33194-020 | Evaporator - see page 7 |
| 9 | 16-0832-20 | Access valve |
| 9a | 16-0832-02 | Stem cap |
| 9b | 16-0832-03 | Core cap |
| 10 | 11-0501-22 | Hi Pressure Cut Out |
| 11 | 03-1645-01 | Screw |
| 12 | 18-2200-28 | Grommet |
| 13 | 18-2200-27 | Sleeve |

| ITEM NUMBER | PART NUMBER | DESCRIPTION |
|--|-------------|-----------------------------|
| 14 | 03-1407-07 | Washer |
| 15 | 18-8929-21 | Compressor, 454, 504 |
| | 18-8929-23 | Overload for the above |
| <u>Compressors for NME654 or FME804:</u> | | |
| | 18-8721-21 | Compressor 115v/60 Hz |
| | 18-8711-50 | Overload for the above |
| | 18-8721-22 | Compressor 230v/50 Hz |
| | 18-8721-50 | Overload for 50 the above |
| 16 | 02-3319-02 | Dryer |
| 17 | A35886-001 | Fan Shroud |
| 17a | A35582-002 | Fan shroud cover |
| 18 | 18-8734-01 | Condenser |
| 19 | 03-1645-01 | Screw |
| 20 | 11-0502-21 | Low pressure cut out switch |
| 21 | 16-1137-01 | Access valve body |
| 22 | 16-1138-01 | Core |
| 23 | 16-1140-01 | Cap |

* When replacing a wire formed bracket, use a #8 flat washer with the original mounting screw.

NME454, 654 & FME504, 804 SERVICE PARTS

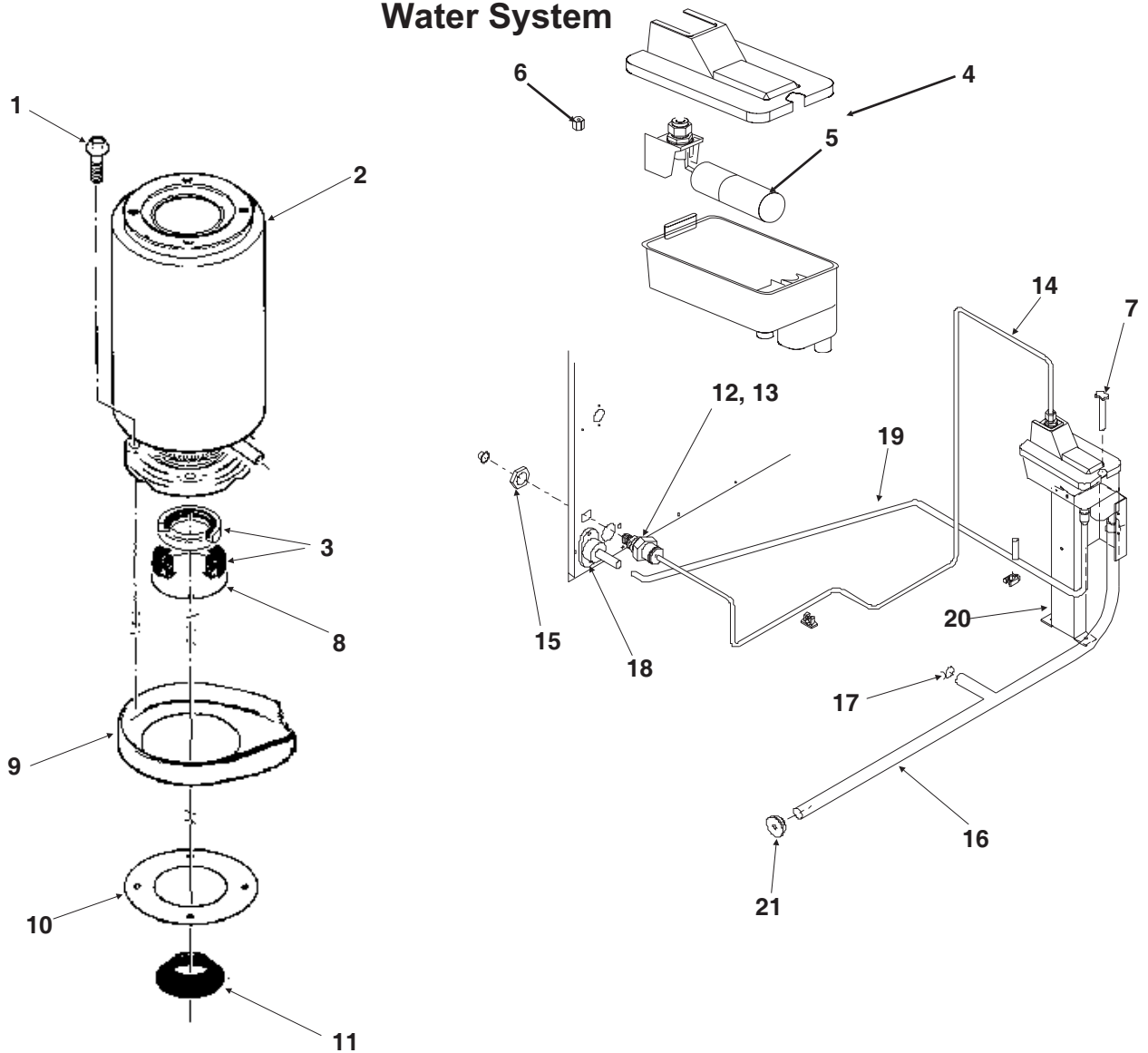
Water Cooled Refrigeration



| ITEM NUMBER | PART NUMBER | DESCRIPTION | ITEM NUMBER | PART NUMBER | DESCRIPTION |
|-------------|-------------|--------------------------|--|-------------|-----------------------------|
| 1 | 18-3306-25 | Condenser for A series | 13 | 11-0501-22 | Hi Pressure Cut Out |
| | 18-8871-21 | Condenser for B series | 14 | 03-0571-02 | Screw |
| 2 | 03-1645-01 | Screw | 15 | 11-0478-01 | Water Reg. Valve |
| 3 | 11-0488-21 | TXV for all but 454, 504 | 16 | 03-1403-14 | Screw |
| | 11-0488-22 | TXV for NME454, FME504 | 17 | A31878-004 | Drain Assembly (WC) |
| 4 | A32961-020 | Insulation Kit (3 piece) | 18 | 18-8929-21 | Compressor, 454, 504 |
| 5 | A35870-001 | Suction Line | | 18-8929-23 | Overload for the above |
| 6 | A33194-020 | Evaporator - see page 7 | <u>Compressors for NME654 or FME804:</u> | | |
| 7 | 03-1405-20 | Cap Screw | | 18-8721-21 | Compressor 115v/60 Hz |
| 8 | 03-1407-07 | Washer | | 18-8711-50 | Overload for the above |
| 9 | 18-2200-27 | Sleeve | | 18-8721-22 | Compressor 230v/50 Hz |
| 10 | 18-2200-28 | Grommet | | 18-8721-50 | Overload for 50 the above |
| 11 | 03-1645-01 | Screw | 19 | 02-3319-02 | Dryer |
| 12 | 16-0832-20 | Access valve | 20 | 11-0502-21 | Low pressure cut out switch |
| 12a | 16-0832-02 | Stem cap | 21 | 16-1137-01 | Access valve body |
| 12b | 16-0832-03 | Core cap | 22 | 16-1138-01 | Core |
| | | | 23 | 16-1140-01 | Cap |

NME454, 654 & FME504, 804 SERVICE PARTS

Water System

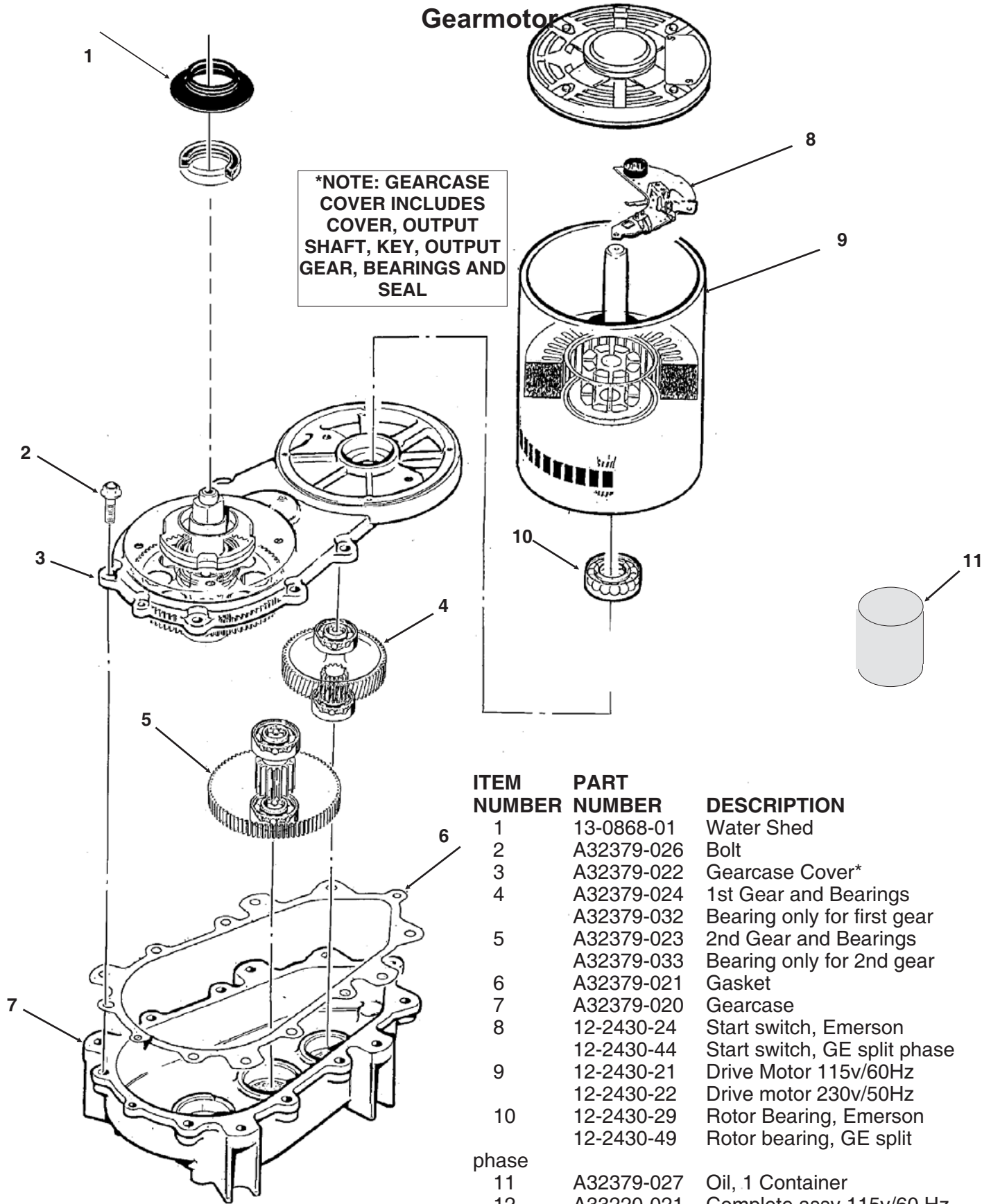


| ITEM NUMBER | PART NUMBER | DESCRIPTION |
|-------------|-------------|--------------------------|
| 1 | 03-1405-41 | Cap Screw |
| 2 | A33194-020 | Evaporator |
| 3 | 02-0929-23 | Water Seal |
| 4 | 02-3266-20 | Reservoir & valve |
| 5 | 02-3266-21 | Float valve |
| 6 | 02-3266-03 | Plunger/seat |
| 7 | 12-2760-21 | Water Level Sensor |
| 8 | A32777-001 | Retaining Ring for Seal |
| 9 | 02-3837-01 | Drip Pan |
| 10 | 13-0704-00 | Gasket |
| 11 | 13-0868-01 | Water Shed |
| 12 | 16-0835-01 | Water Inlet Fitting |
| 13 | 16-1039-01 | Male connector |
| 14 | 13-0895-01 | Inlet tubing, 4 ft. req. |

| ITEM NUMBER | PART NUMBER | DESCRIPTION |
|-------------|-------------|------------------------|
| 15 | 03-1394-01 | Pal Nut |
| 16 | A36154-001 | Evap. water inlet tube |
| 17 | 02-1338-00 | Hose clamp |
| 18 | 02-3692-02 | Drain fitting |
| 19 | 02-3826-03 | Res. overflow hose |
| 20 | A36078-002 | Reservoir bracket |
| 21 | 13-0840-01 | Rubber cap |

NMF454 654 & FMF504 804 SERVICE PARTS

Gearmotor



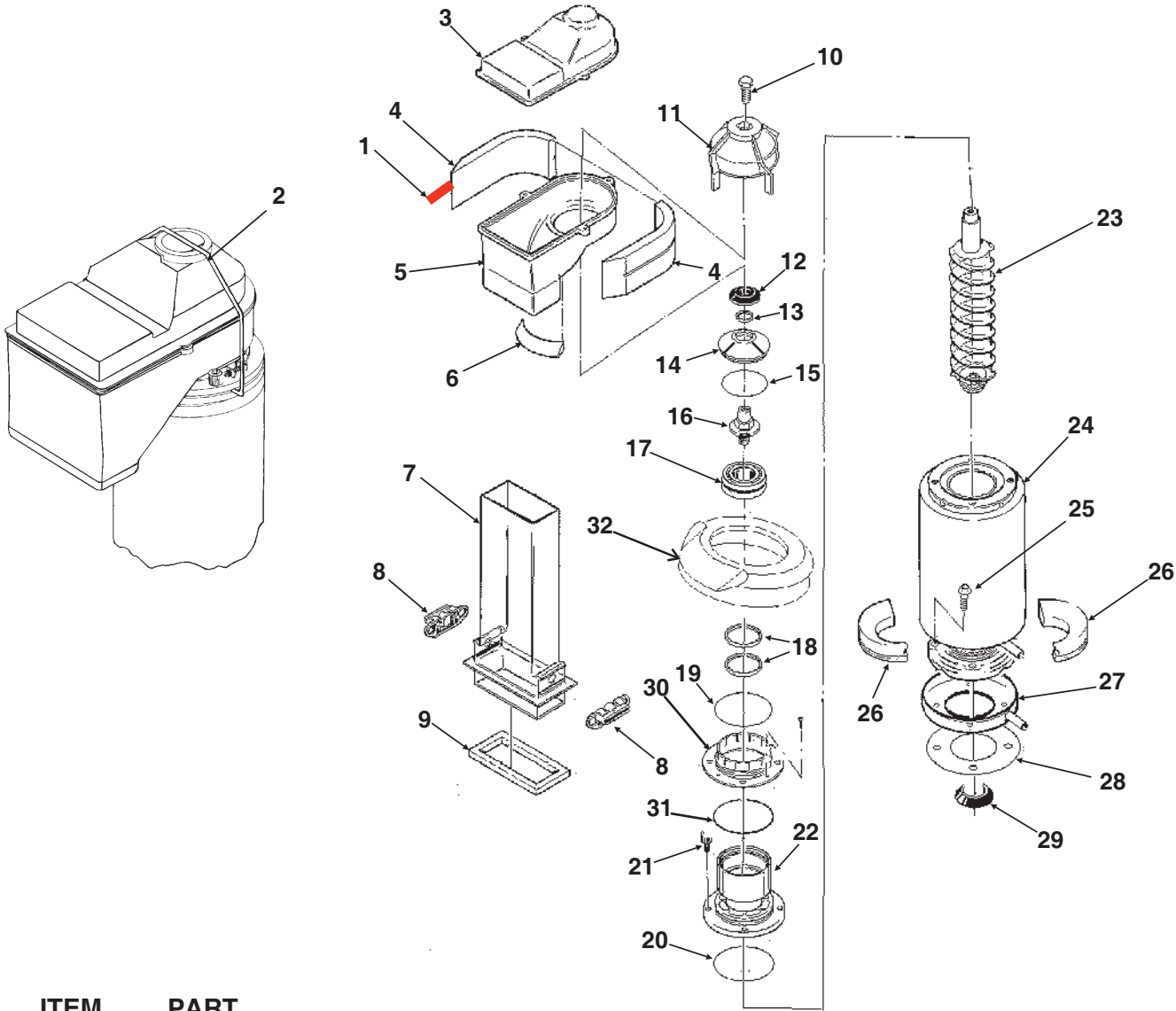
***NOTE: GEARCASE COVER INCLUDES COVER, OUTPUT SHAFT, KEY, OUTPUT GEAR, BEARINGS AND SEAL**

| ITEM NUMBER | PART NUMBER | DESCRIPTION |
|-------------|-------------|-------------------------------|
| 1 | 13-0868-01 | Water Shed |
| 2 | A32379-026 | Bolt |
| 3 | A32379-022 | Gearcase Cover* |
| 4 | A32379-024 | 1st Gear and Bearings |
| 5 | A32379-032 | Bearing only for first gear |
| 5 | A32379-023 | 2nd Gear and Bearings |
| 5 | A32379-033 | Bearing only for 2nd gear |
| 6 | A32379-021 | Gasket |
| 7 | A32379-020 | Gearcase |
| 8 | 12-2430-24 | Start switch, Emerson |
| 8 | 12-2430-44 | Start switch, GE split phase |
| 9 | 12-2430-21 | Drive Motor 115v/60Hz |
| 9 | 12-2430-22 | Drive motor 230v/50Hz |
| 10 | 12-2430-29 | Rotor Bearing, Emerson |
| 10 | 12-2430-49 | Rotor bearing, GE split phase |
| 11 | A32379-027 | Oil, 1 Container |
| 12 | A33220-021 | Complete assy 115v/60 Hz |
| 12 | A33220-022 | Complete assy, 230v/50 Hz |

The complete assembly includes the water shed and drip pan gasket.

NME454, 654 & FME504, 804 SERVICE PARTS

FME504 or FME804 Evaporator

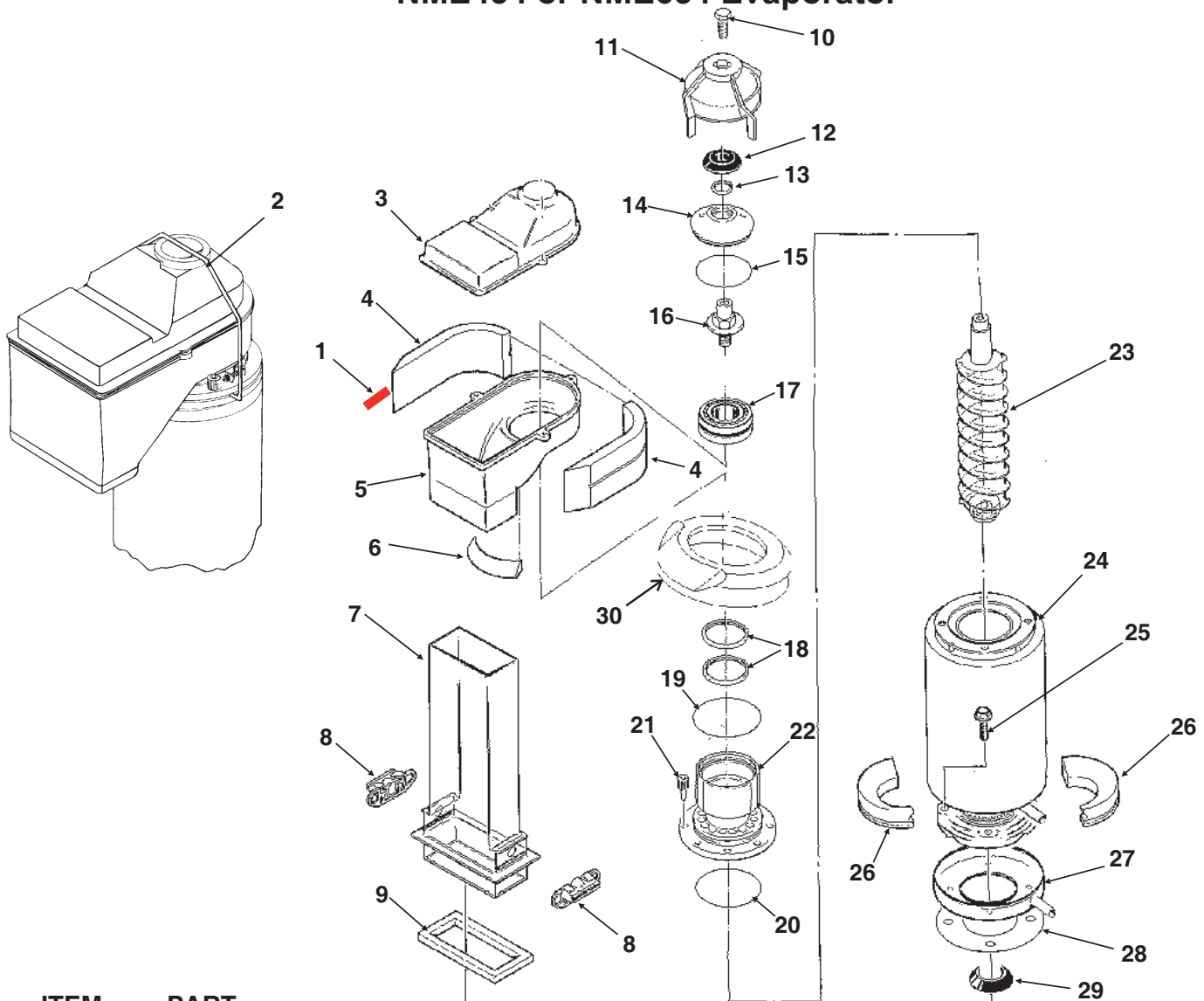


| ITEM NUMBER | PART NUMBER | DESCRIPTION |
|-------------|--------------------------|---|
| 1. | A35419-020 | Strap kit* |
| 2. | A34969-001 | Bail clamp |
| 3. | 02-2930-04 | Ice Chute Cover |
| 4. | A32963-001 | Insulation Top (half)* |
| 5. | 02-3841-01 | Ice Chute Body w/ins* |
| 6. | A33102-001 | Insulation Collar Inside* |
| 7. | 02-2929-03 | Ice Chute Lower |
| 8. | A37708-021 | Bin Controls Assy. (set of 2) |
| 9. | A32930-001 | Chute Gasket |
| 10. | 03-1405-52 | Hex Cap Screw |
| 11. | 02-3001-01 | Ice Sweep |
| 12. | 13-0871-01 | Water Shed |
| 13. | 02-2978-01 | Lip Seal |
| 14. | 02-3128-20 | Breaker Cover |
| 15. | 13-0617-54 | O-Ring |
| 16. | 08-0660-01 | Auger Stud |
| 17. | A34559-020 | Bearing |
| 18. | 02-2977-01 | Lip Seal |
| 19. | 13-0617-52 | O-Ring |
| 20. | 13-0617-45 | O-Ring |
| 21. | 03-1544-08 | Soc. Head Screw |
| 22. | A34505-020 | Breaker (includes 13,14,15,17,18, 20) |
| 23. | A38071-021 | Auger |
| 24. | A33194-020 | Evaporator |
| 25. | 03-1405-41 | Cap Screw |
| 26. | A32962-001 A32962-002 | Insulation Bot. (half) Insulation half |
| 27. | 02-3837-01 | Drip Pan |
| 28. | 13-0704-00 | Drip Pan Gasket |
| 29. | 13-0868-01 | Water Shed |
| 30. | 02-2916-01 | Slotted collar |
| 31. | 13-0617-49 | O-Ring |
| 32. | 13-0929-01 | Insulation donut* |

* Insulation changed Oct. 2000. Items 1, 4 and 6 no longer used. Item 32 added. Item 5 changed.

NME454, 654 & FME504, 804 SERVICE PARTS

NME454 or NME654 Evaporator

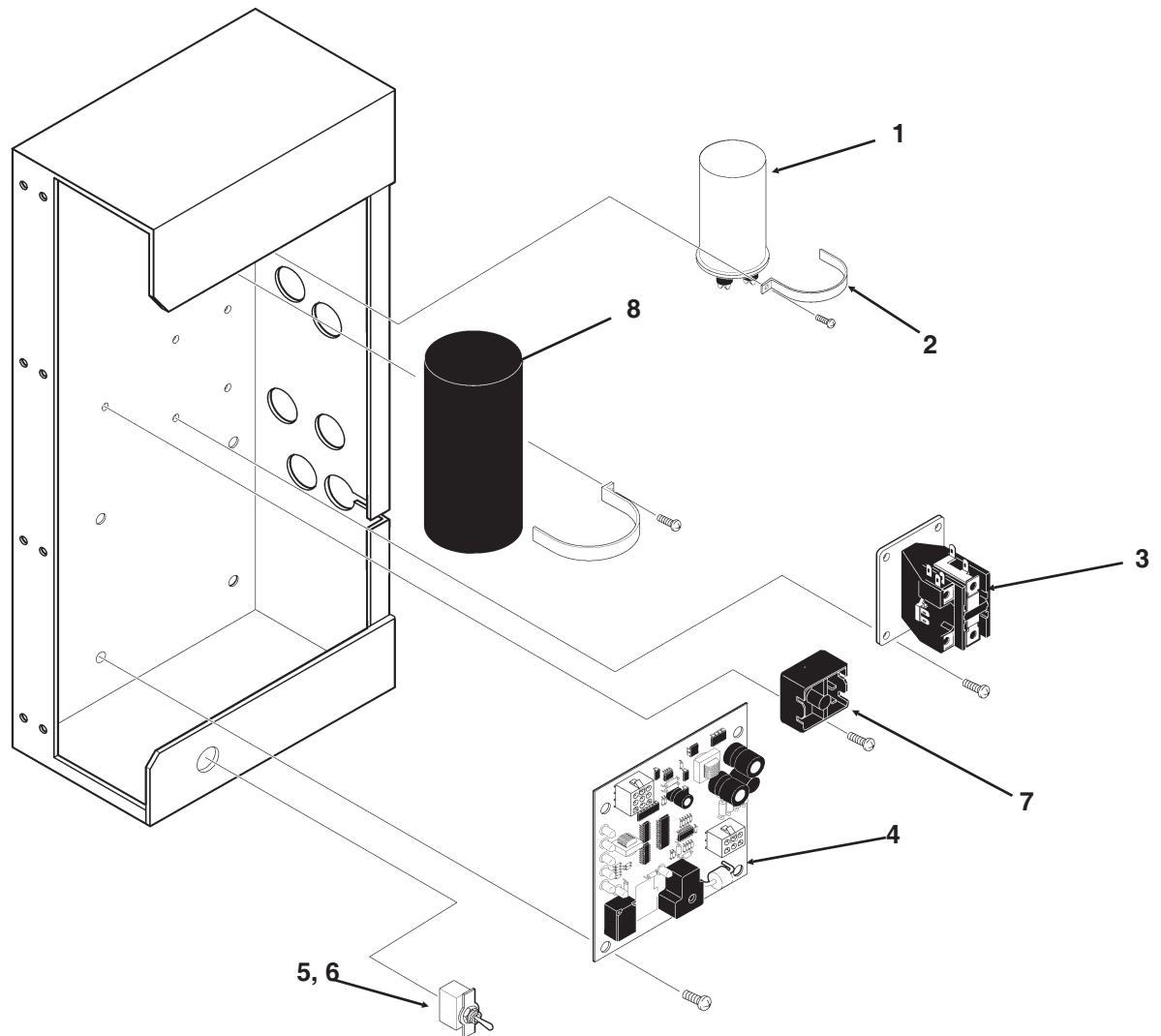


| ITEM NUMBER | PART NUMBER | DESCRIPTION |
|-------------|-------------|--|
| 1. | A35419-020 | Strap kit* |
| 2. | A34969-001 | Bail clamp |
| 3. | 02-2930-04 | Ice Chute Cover |
| 4. | A32963-001 | Insulation Top (half)* |
| 5. | 02-3841-01 | Ice Chute Body* |
| 6. | A33102-001 | Insulation Collar Inside* |
| 7. | 02-2929-03 | Ice Chute Lower |
| 8. | A37708-021 | Bin Controls Assy. (set of 2) |
| 9. | A32930-001 | Chute Gasket |
| 10. | 03-1405-52 | Hex Cap Screw |
| 11. | 02-3001-01 | Ice Sweep |
| 12. | 13-0871-01 | Water Shed |
| 13. | 02-2978-01 | Lip Seal |
| 14. | 02-3128-20 | Breaker Cover |
| 15. | 13-0617-54 | O-Ring |
| 16. | 08-0660-01 | Auger Stud |
| 17. | A34559-020 | Bearing |
| 18. | 02-2977-01 | Lip Seal |
| 19. | 13-0617-52 | O-Ring |
| 20. | 13-0617-45 | O-Ring |
| 21. | 03-1544-08 | Soc. Head Screw |
| 22. | A32900-020 | Breaker (includes 13, 14, 15, 17, 18 & 20) |
| 23. | A38071-021 | Auger |
| 24. | A33194-020 | Evaporator |
| 25. | 03-1405-41 | Cap Screw |
| 26. | A32962-001 | Insulation Bot. (half) |
| | A32962-002 | Insulation half |
| 27. | 02-3837-01 | Drip Pan |
| 28. | 13-0704-00 | Drip Pan Gasket |
| 29. | 13-0868-01 | Water Shed |
| 30. | 13-0929-02 | Insulation donut* |

* Insulation changed Oct. 2000. Items 1, 4 and 6 no longer used. Item 30 added. Item 5 changed.

NME454, 654 & FME504, 804 SERVICE PARTS

Control Box

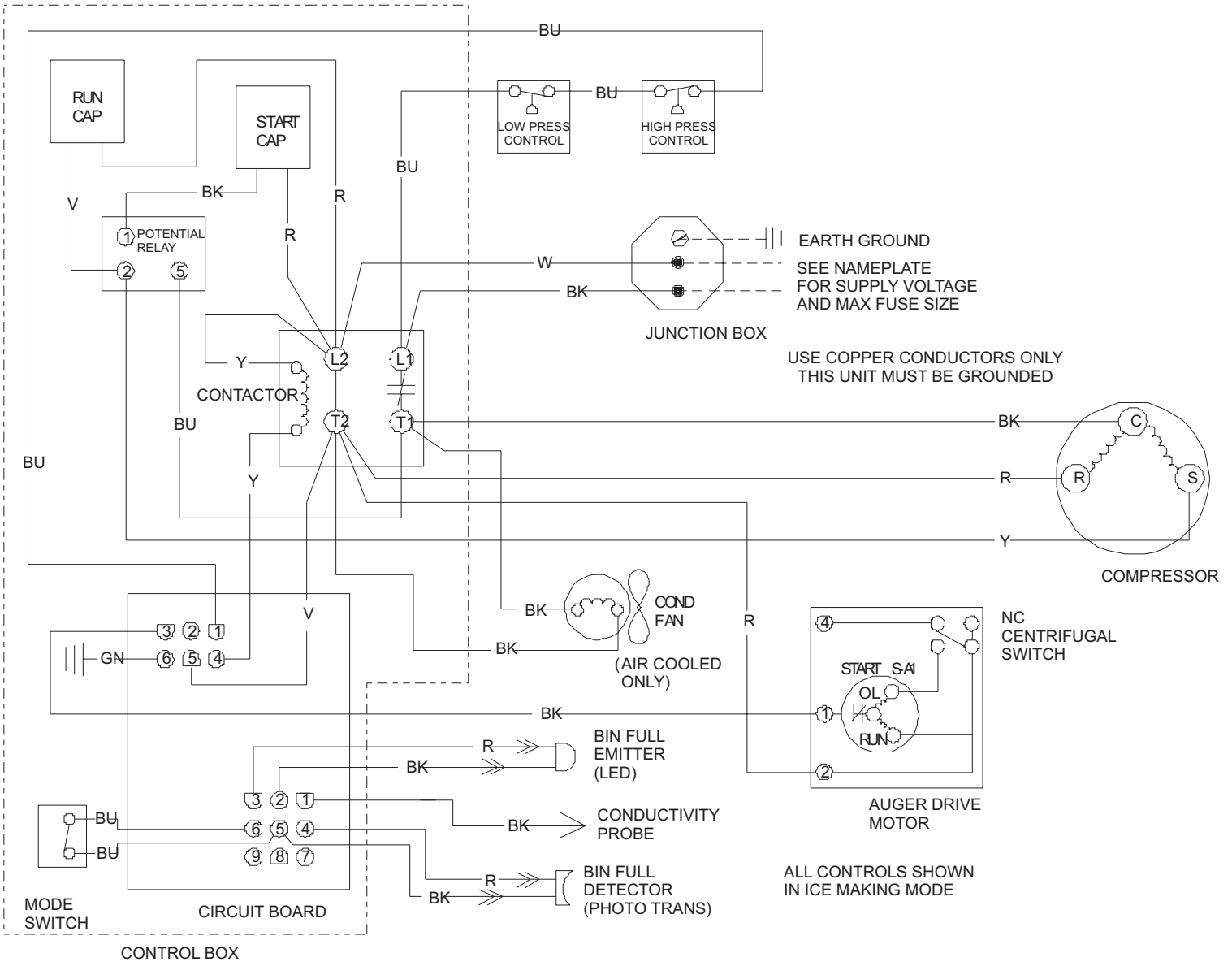


| | FME504, NME454 115 Volt, 60 Hz | FME804, NME654, 115 Volt, 60 Hz | FME804, NME654, 230 Volt, 50 Hz |
|-----------------|-----------------------------------|------------------------------------|------------------------------------|
| Start Capacitor | 18-1901-63 | 18-1901-03 | 18-1901-43 |
| Contactor | 12-2469-03 | 12-2469-03 | 12-2469-02 |
| Circuit Board | 12-2835-21 | 12-2835-21 | 12-2835-21 |
| Mode Switch | 12-0426-01 | 12-0426-01 | 12-2637-01 |
| Potential Relay | 18-1903-64 | 18-1903-50 | 18-1903-56 |
| Run Capacitor | none | 18-1902-45 | 18-1902-30 |

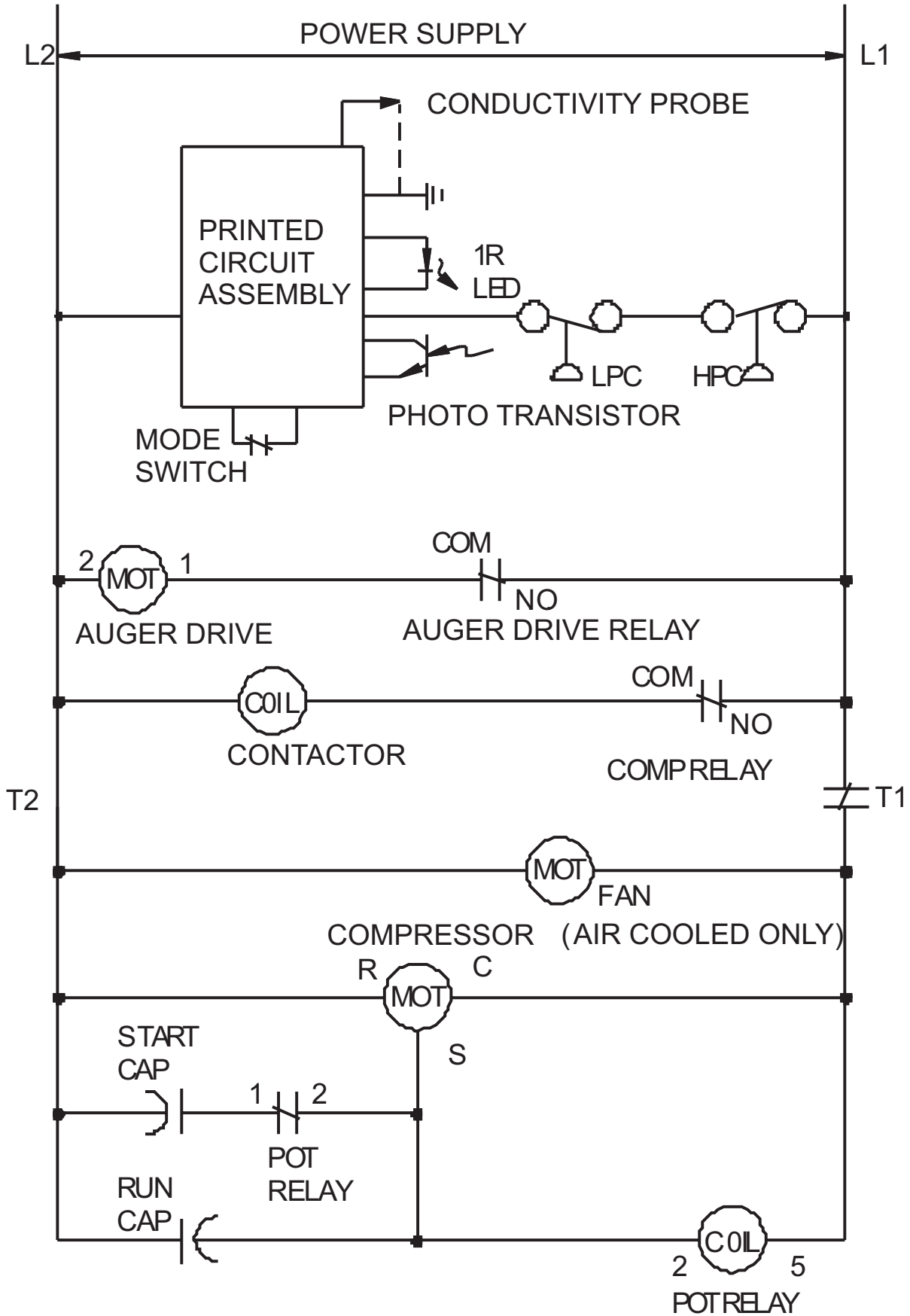
NME454, 654 & FME504, 804 SERVICE PARTS

NME654, FME804 Component Layout Diagram

17-2703-01



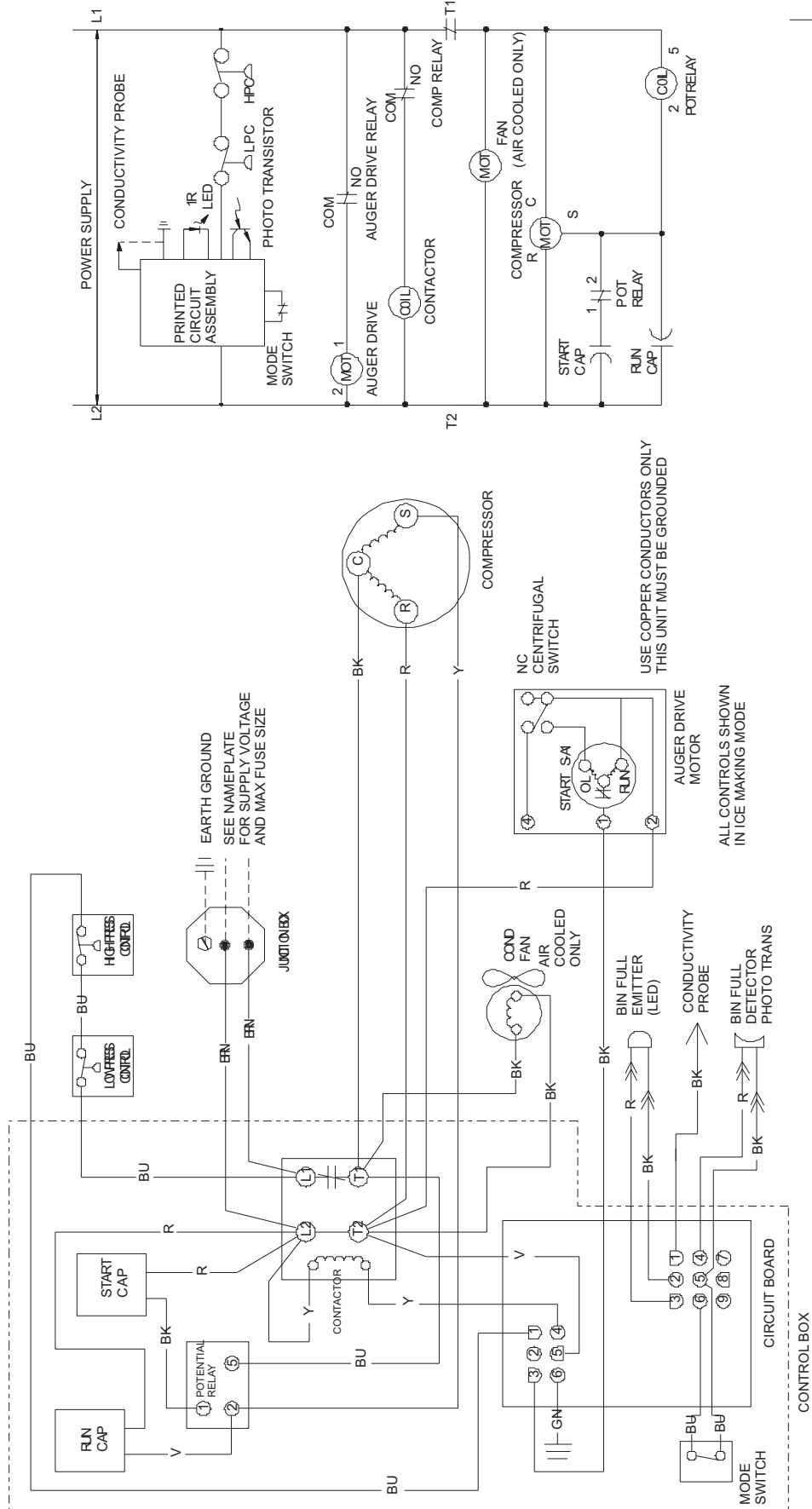
NME454, 654 & FME504, 804 SERVICE PARTS NME654, FME804 Schematic Diagram



NME454, 654 & FME504, 804 SERVICE PARTS

NME654 or FME804 -6

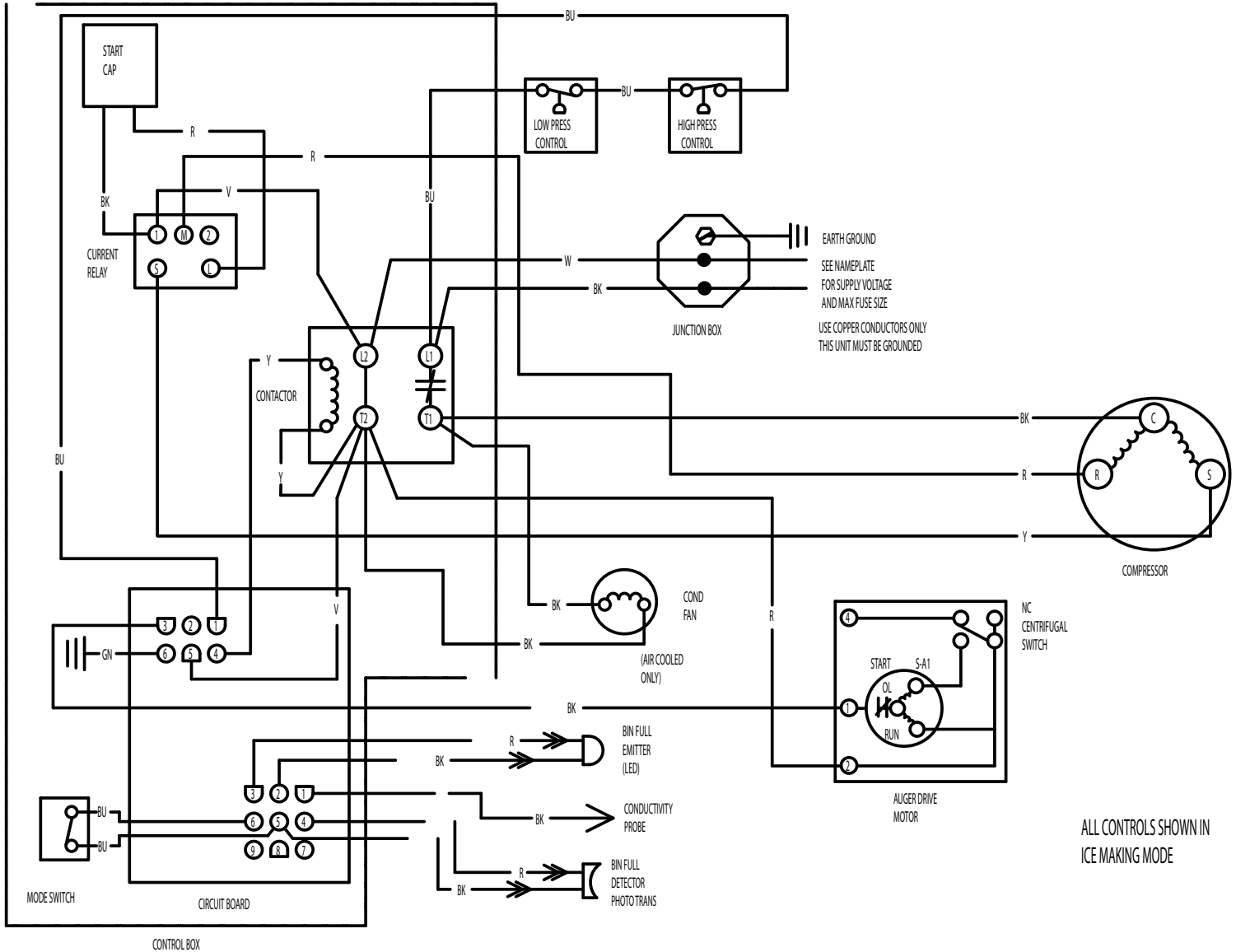
17-2702-01



NME454, 654 & FME504, 804 SERVICE PARTS

NME454 Wiring Diagram

17-3172-01



NME454, 654 & FME504, 804 SERVICE PARTS

NME454 Schematic Diagram

