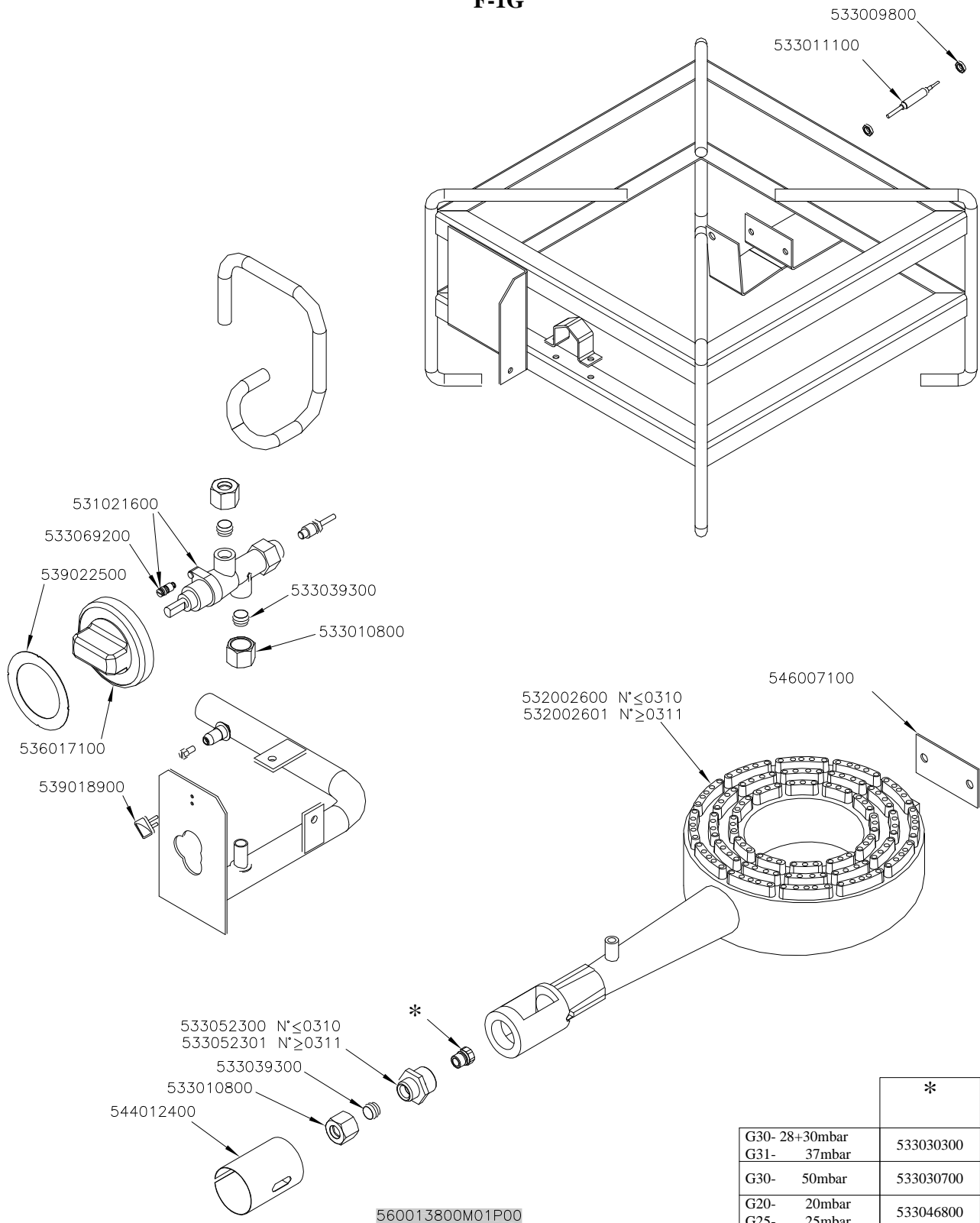


F-1G



		*
G30-	28+30mbar	533030300
G31-	37mbar	
G30-	50mbar	533030700
G20-	20mbar	533046800
G25-	25mbar	
G20-	20mbar	533046800
G25-	20mbar	533047000
G25-	25mbar	533046900
	NL	

Page	Pos	Code	Description
001		533009800	BRASS NUT M8*1
001		533011100	THERMOCOUPLE 600 M8*1
001		531021600	SAFETY COCK 20S-B (PEL20S21105)
001		533069200	BY PASS COCK §105 20S
001		539022500	ADHESIVE GRADUATED DISC FOR KNOB
001		533039300	BICONE §10
001		533010800	TUBE NUT D.10 M16*1,5
001		536017100	BLACK KNOB §70 PIN §8*6,5
001		539018900	INDEX FOR KNOB
001		546007100	BURNER GASKET F-1G
001		532002600	BURNER F-1G
001		532002601	BURNER F-1G (NEW)
001		533052300	JOINT FOR NOZZLE HOLDER
001		533052301	JOINT FOR NOZZLE HOLDER
001		544012400	
001		533030300	NOZZLE §160 CH12*14 M-FPG
001		533030700	NOZZLE §140 CH12X14 AARD-FQ6
001		533046800	NOZZLE §210 CH12*30 M-F1
001		533047000	NOZZLE §240 CH12*30 L-F1
001		533046900	NOZZLE §225 CH12*30 G25 F1 25MBAR