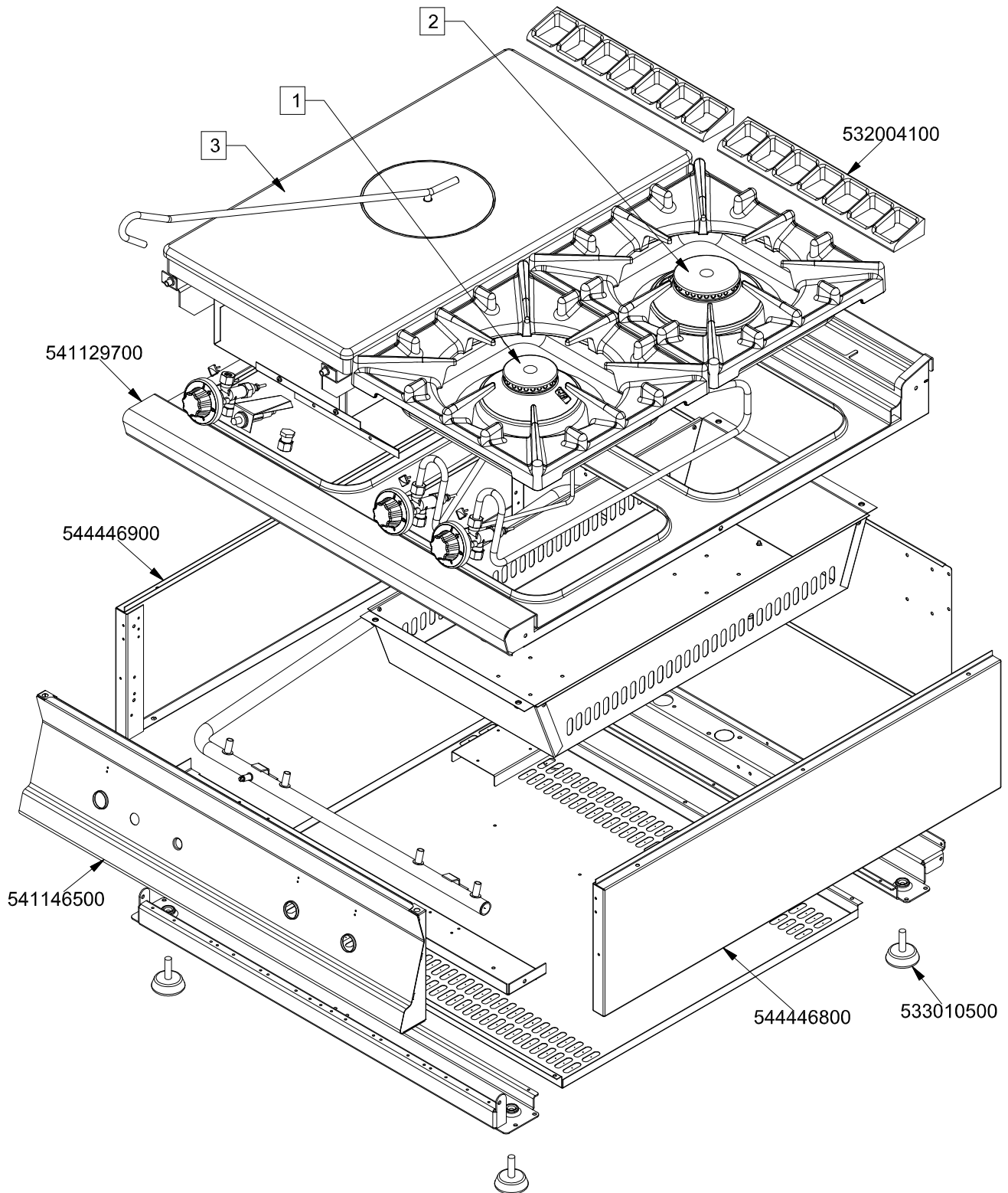


IPERLOTUS 90 TOP

GAS / GAS / GAS / GAZ

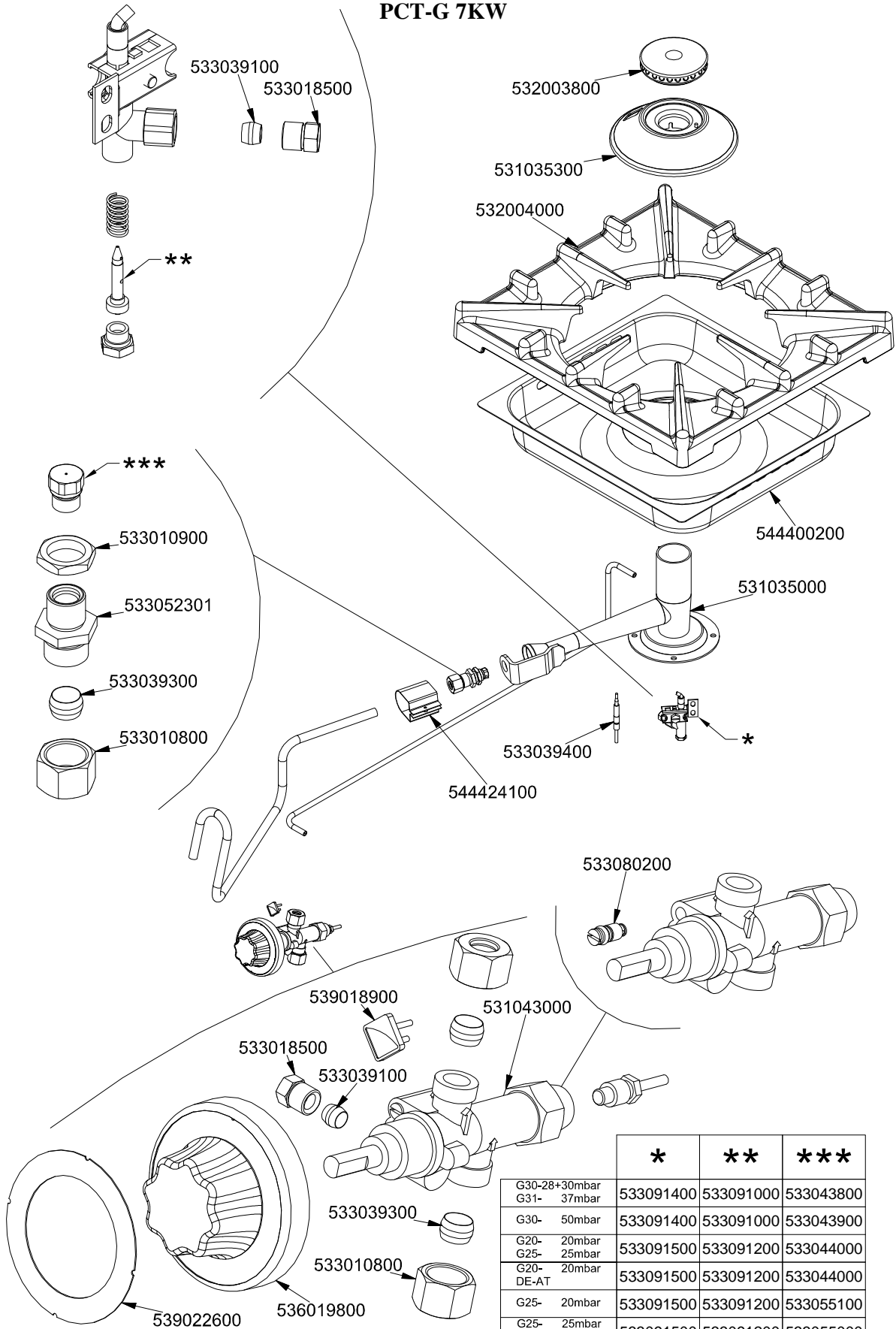
TP2T-98G

	1	2	3
Vedi Pagina See Page Siehe Seite Voir Page Ver Página	175	176	178



560062700M00P00.

PCT-G 7KW

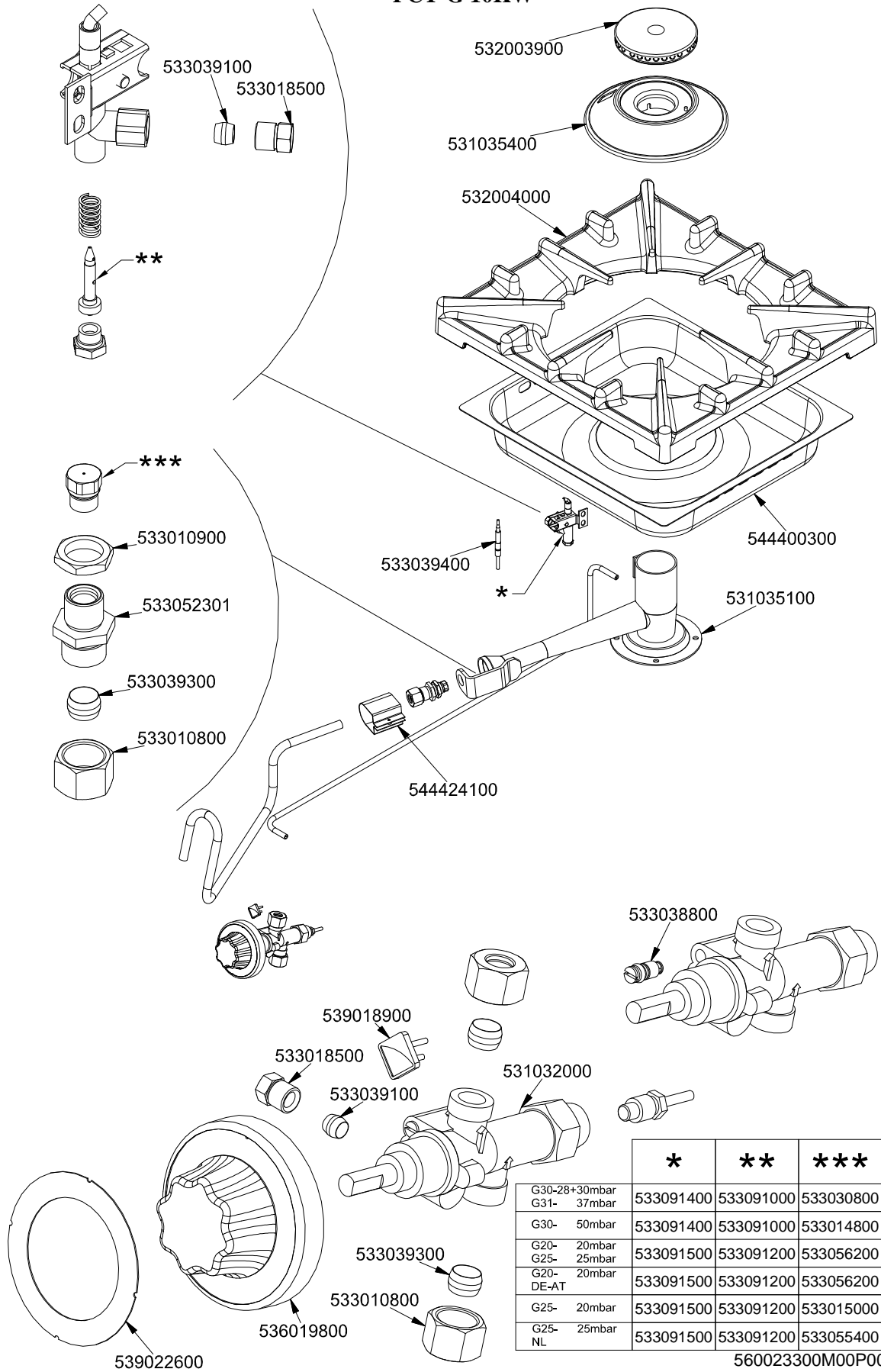


	*	**	***
G30-28+30mbar	533091400	533091000	533043800
G31- 37mbar			
G30- 50mbar	533091400	533091000	533043900
G20- 20mbar	533091500	533091200	533044000
G25- 25mbar			
G20- 20mbar	533091500	533091200	533044000
DE-AT			
G25- 20mbar	533091500	533091200	533055100
G25- 25mbar	533091500	533091200	533055000
NL			

560023200M00P00

IPERLOTUS 90 TOP
COMPONENTI COMUNI / STANDARDS PARTS / UEBLICHE TEILE / COMPOSANTS COMMUNS

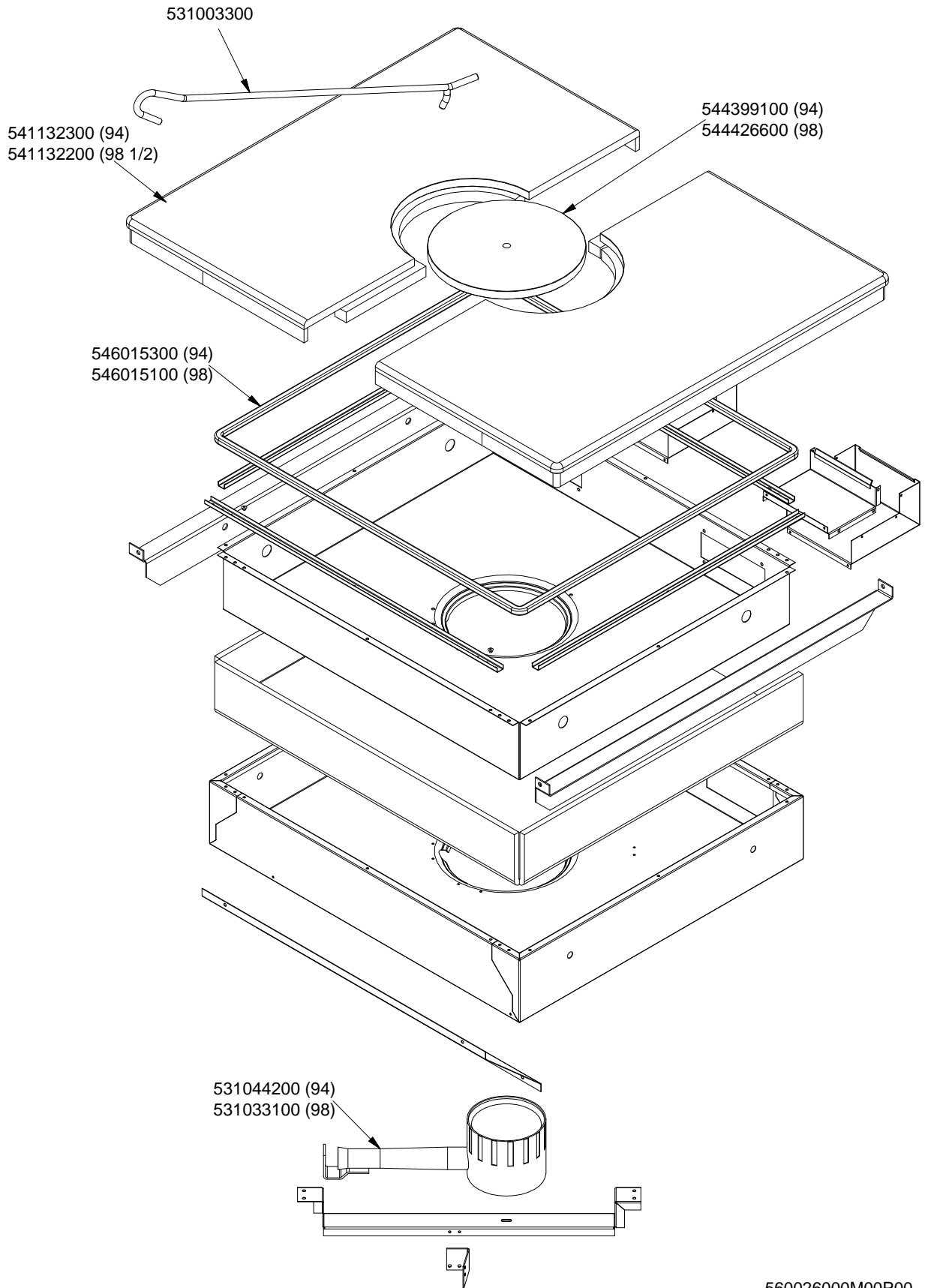
PCT-G 10KW



	*	**	***
G30-28+30mbar	533091400	533091000	533030800
G31- 37mbar			
G30- 50mbar	533091400	533091000	533014800
G20- 20mbar	533091500	533091200	533056200
G25- 25mbar			
G20- 20mbar	533091500	533091200	533056200
G25- 20mbar	533091500	533091200	533015000
G25- 25mbar	533091500	533091200	533055400

560023300M00P00

TPT

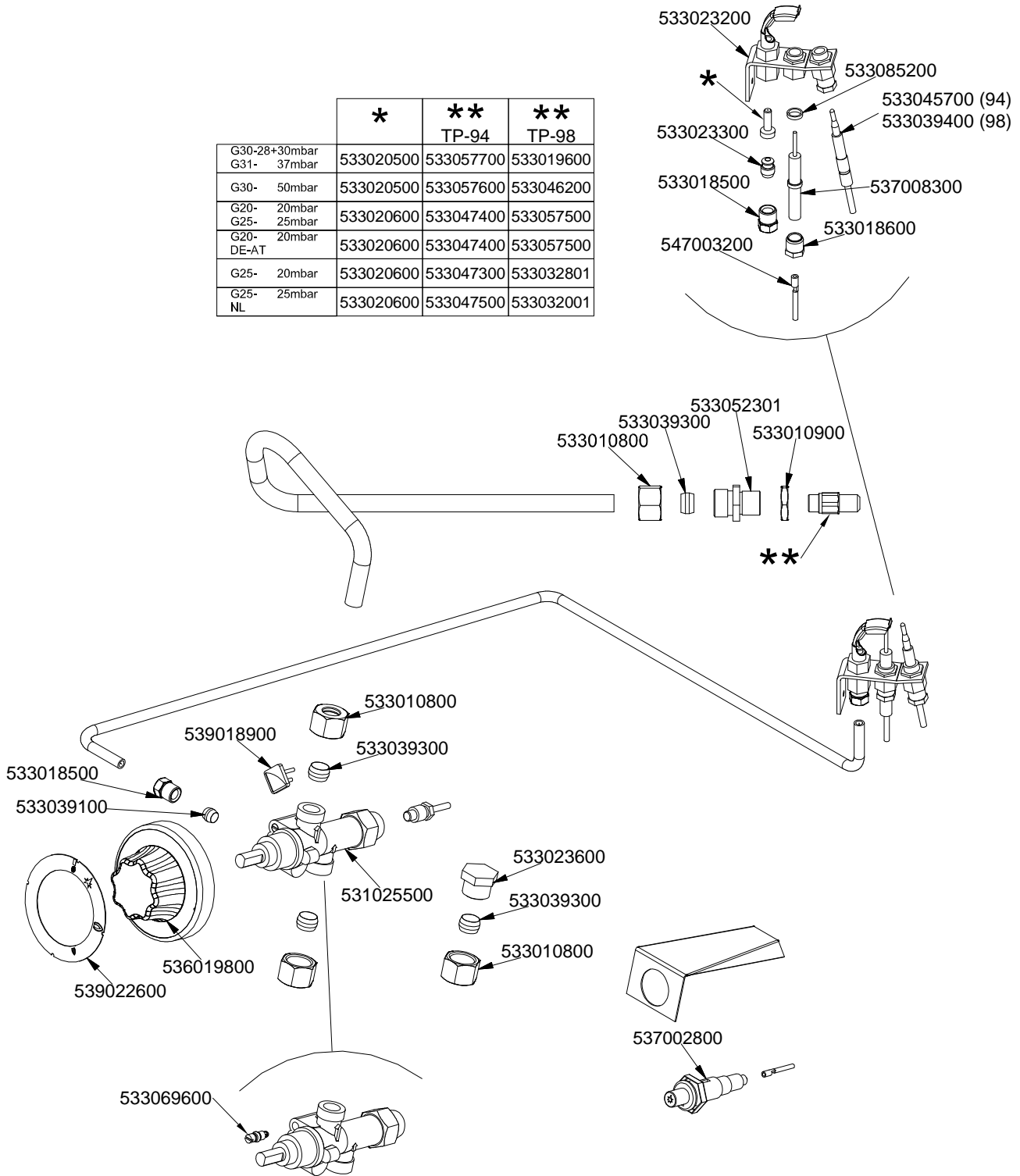


IPERLOTUS 90 TOP

COMPONENTI COMUNI / STANDARDS PARTS / UEBLICHE TEILE / COMPOSANTS COMMUNS

TPT

	*	**	**
		TP-94	TP-98
G30-28+30mbar G31- 37mbar	533020500	533057700	533019600
G30- 50mbar	533020500	533057600	533046200
G20- 20mbar G25- 25mbar	533020600	533047400	533057500
G20- 20mbar DE-AT	533020600	533047400	533057500
G25- 20mbar	533020600	533047300	533032801
G25- 25mbar NL	533020600	533047500	533032001



560025900M00P00

Page	Pos	Code	Description
001		532004100	FLUE GRID L=370 70LINE (RAF)
001		541129700	UPPER PLATE TP2-98G
001		544446900	
001		541146500	CONTROL PANEL TP2-98G
001		544446800	
001		533010500	LEG M10*25 D.40
002		533043800	NOZZLE §130 CH12*14 G-CW4
002		533043900	NOZZLE §115 CH12*14 F-CW4
002		533044000	NOZZLE §195 CH12*14 M-CW4
002		533055100	NOZZLE §215 CH12*14 L-CW4
002		533055000	NOZZLE §205 CH12*14 G25 CW4
002		533091000	NOZZLE 0.100 §20
002		533091200	PILOT NOZZLE 0100 Ø35 PIL.PC
002		533091400	P.NOZZLE S100 UG.§20 PC90 LPG-FLUS
002		533091500	PILOT NOZZLE S.100 §30 PC90 NAT.GAS
002		533039100	BICONE §6
002		533018500	FITTING FOR BICONE D.6 M10*1
002		532003800	BURNER COVER RING §082
002		531035300	MEDIUM BURNER BODY 90 LINE
002		532004000	1 FLAME GRILL 396X366 (90)
002		544400200	BURNER DRIP PAN 2/3
002		531035000	MEDIUM BURNER VENTURI 90 LINE
002		533010900	NUT M14*1 H.4
002		533052301	JOINT FOR NOZZLE HOLDER
002		533039300	BICONE §10
002		533010800	TUBE NUT D.10 M16*1,5
002		533039400	THERMOCOUPLE M9*1*850
002		544424100	
002		533080200	BY PASS COCK §65 20S-21S
002		539018900	INDEX FOR KNOB
002		531043000	GAS COCK 21S P.V. BY-PASS §065
002		536019800	BLACK KNOB §70 PIN §8*6,5
002		539022600	GRADUATED STICKER FOR KNOB
003		533030800	NOZZLE §155 CH12X14 M-CW
003		533014800	NOZZLE §135 CH12*14,0
003		533056200	NOZZLE §230 CH12*14
003		533015000	NOZZLE D.I 260 G110 (TOWN GAS)
003		533055400	NOZZLE §245 CH12*14
003		533091000	NOZZLE 0.100 §20
003		533091200	PILOT NOZZLE 0100 Ø35 PIL.PC
003		533091400	P.NOZZLE S100 UG.§20 PC90 LPG-FLUS
003		533091500	PILOT NOZZLE S.100 §30 PC90 NAT.GAS
003		532003900	BURNER COVER RING §100
003		531035400	BIG BURNER BODY 90 LINE
003		532004000	1 FLAME GRILL 396X366 (90)
003		533039100	BICONE §6
003		533018500	FITTING FOR BICONE D.6 M10*1
003		533039400	THERMOCOUPLE M9*1*850
003		544400300	BURNER DRIP PAN 2/3
003		531035100	BIG BURNER VENTURI 90 LINE
003		533010900	NUT M14*1 H.4

Page	Pos	Code	Description
003		533052301	JOINT FOR NOZZLE HOLDER
003		533039300	BICONE §10
003		533010800	TUBE NUT D.10 M16*1,5
003		544424100	
003		533038800	75 BY-PASS FOR 21S TAP
003		539018900	INDEX FOR KNOB
003		531032000	GAS COCK P.V.BY-PASS Ø075
003		536019800	BLACK KNOB §70 PIN §8*6,5
004		531003300	TP-PLATE LIFTING HOOK
004		544426600	PLATE RING FOR TP-98G
004		531033100	BURNER TP..-78G
004		546015100	SQUARE BRAID OF INSULATING MATERIAL
004		541132200	PLATE TP-98G (1/2)
005		533020500	NOZZLE 0.140 §19
005		533020600	NOZZLE 0.140 §27
005		533019600	NOZZLE §165 CH12*30 MH-FT5 H-FT6
005		533046200	NOZZLE §150 CH12X30 L-BR TP
005		533057500	NOZZLE §260 CH12X30
005		533032801	NOZZLE §280 CH12*30 M-CPM
005		533032001	NOZZLE §270 CH12*30 MH-CPM
005		533039300	BICONE §10
005		533052301	JOINT FOR NOZZLE HOLDER
005		533010900	NUT M14*1 H.4
005		533023200	"TARGET" PILOT + NIPPLE TC BRAC.90°
005		533023300	BICONE §6 ("TARGET" PILOT)
005		533018500	FITTING FOR BICONE D.6 M10*1
005		547003200	HIGH-VOLTAGE CABLE TUBE.§2 L=500
005		533085200	
005		533039400	THERMOCOUPLE M9*1*850
005		537008300	ROUND PLUG §2,4- LONG ELECTRODE
005		533018600	PLUG FITTING
005		533069600	BY PASS COCK §130 20S-21S
005		533039100	BICONE §6
005		536019800	BLACK KNOB §70 PIN §8*6,5
005		539022600	GRADUATED STICKER FOR KNOB
005		531025500	GAS COCK 21S P.V.BY-PASS Ø130
005		533010800	TUBE NUT D.10 M16*1,5
005		539018900	INDEX FOR KNOB
005		533023600	TAP PLUG §10 M16*1, 5CH19
005		537002800	PIEZOELECTRIC IGNITION M18