

* = Recommended Spare Parts

Type : CB 2x40, CB1x40 L/R, CB 40
 Artikel : 10750, 10755, 10760, 10765

From mach. nr. : 1O 0001
 Date : 01-2006

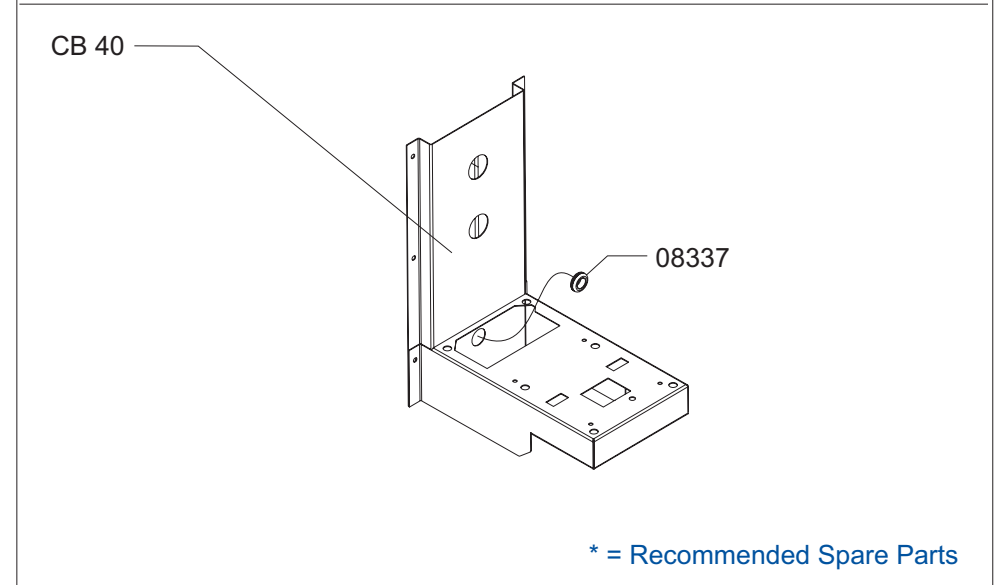
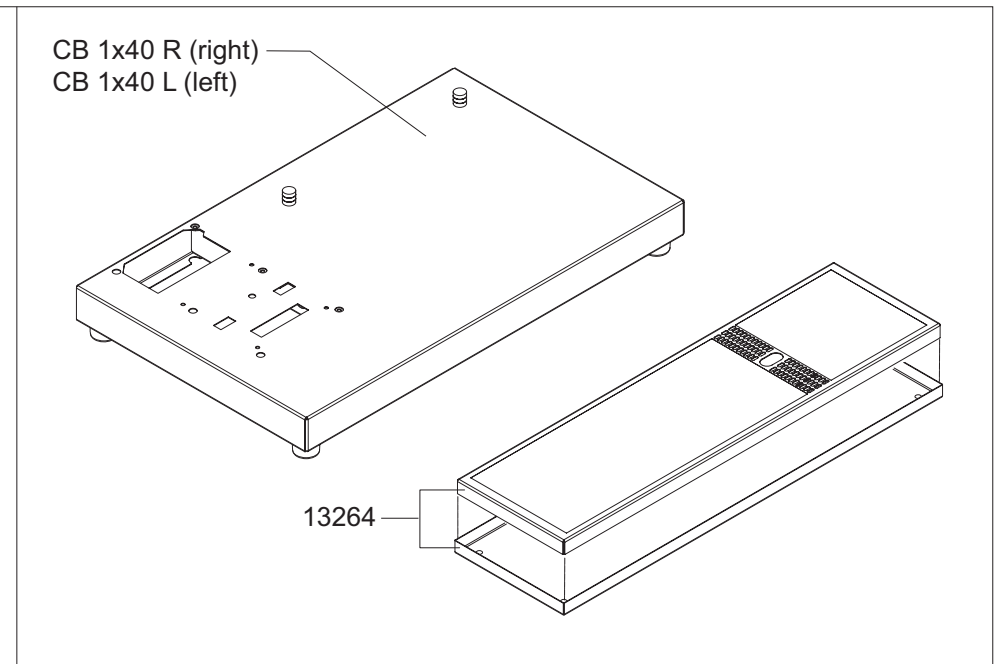
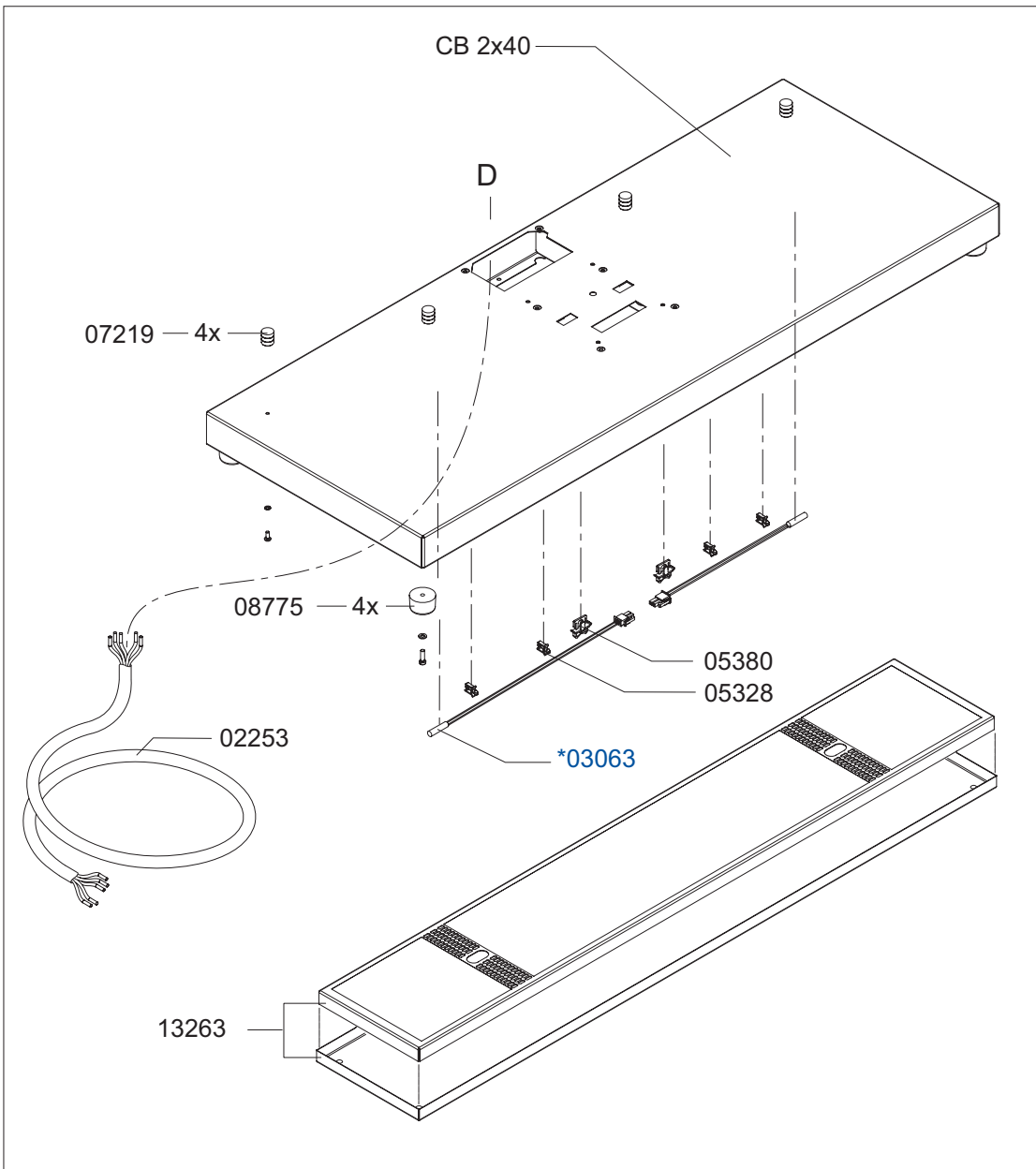
Page : 1-4
 Rev. : 0

Drawer: MT
 Date : 03-04-2006

Rated voltage : 3N~380-415V 50-60Hz 18.200W

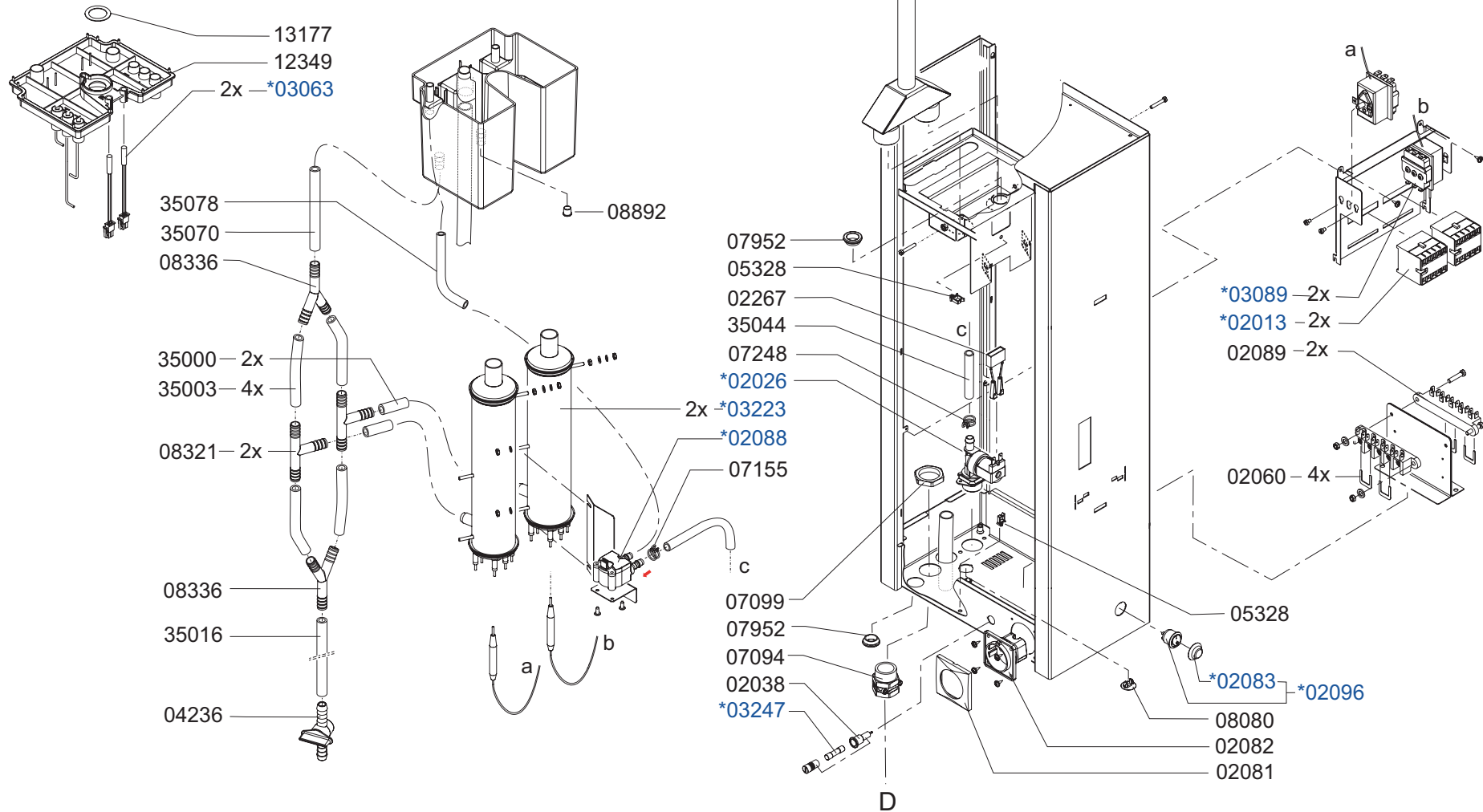
Spare Parts Info

***** **Animo** *****
Assen - Holland



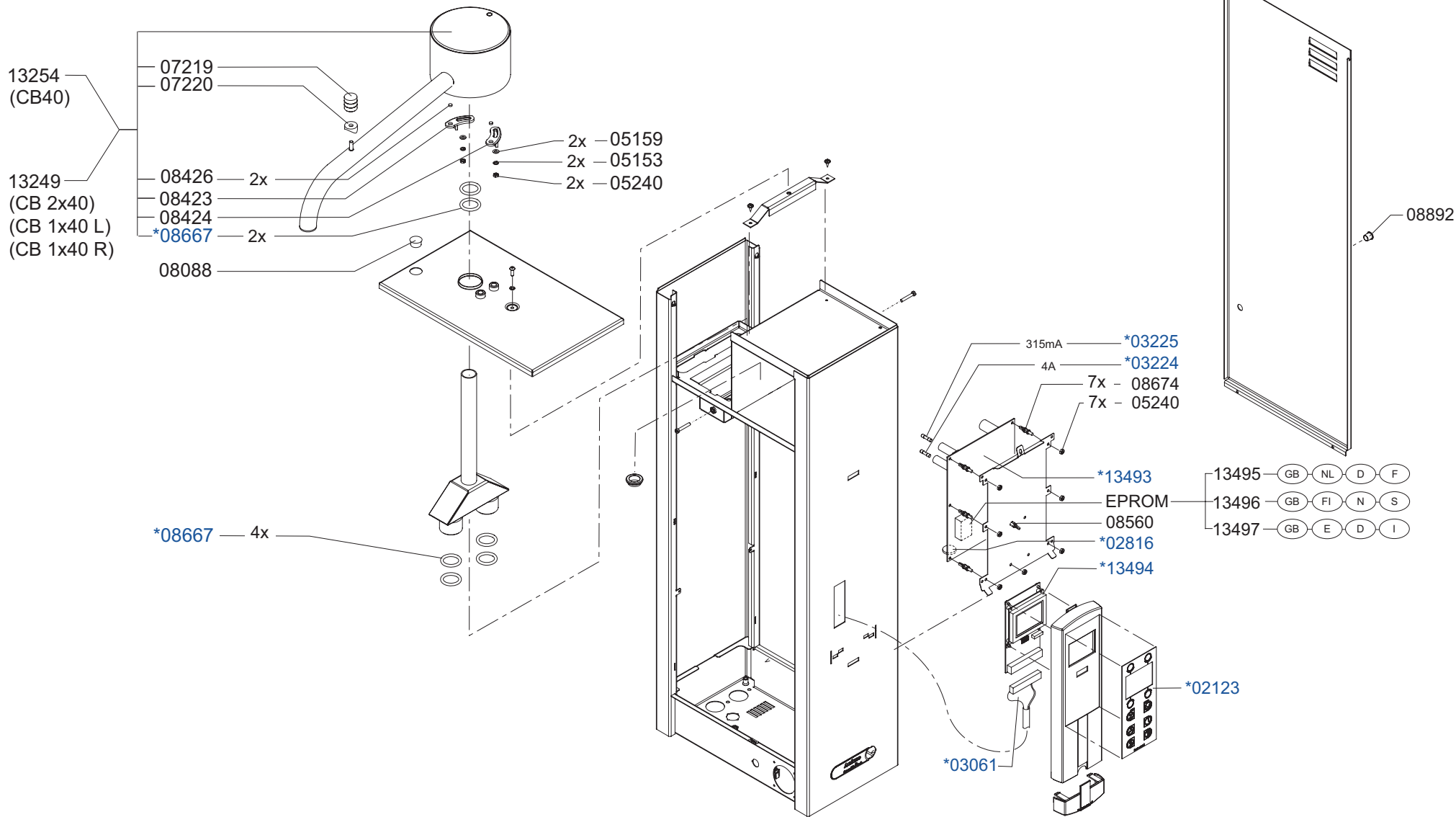
* = Recommended Spare Parts

Type	: CB 2x40, CB1x40 L/R, CB 40	From mach. nr.	: 1P 00244	Page	: 2-4	Drawer:	MT
Artikel	: 10750, 10755, 10760, 10765	Date	: 01-2006	Rev.	: 0	Date	: 03-04-2006
Rated voltage	: 3N~380-415V 50-60Hz 18.200W	Spare Parts Info		***** Animo ***** Assen - Holland			



* = Recommended Spare Parts

Type	: CB 2x40, CB1x40 L/R, CB 40	From mach. nr.	: 1P 00244	Page	: 3-4	Drawer:	MT
Artikel	: 10750, 10755, 10760, 10765	Date	: 01-2006	Rev.	: 0	Date	: 03-04-2006
Rated voltage	: 3N~380-415V 50-60Hz 18.200W	Spare Parts Info		***** Animo *****			
				Assen - Holland			



* = Recommended Spare Parts

Type : CB 2x40, CB1x40 L/R, CB 40
 Artikel : 10750, 10755, 10760, 10765

From mach. nr. : 1P 00244
 Date : 01-2006

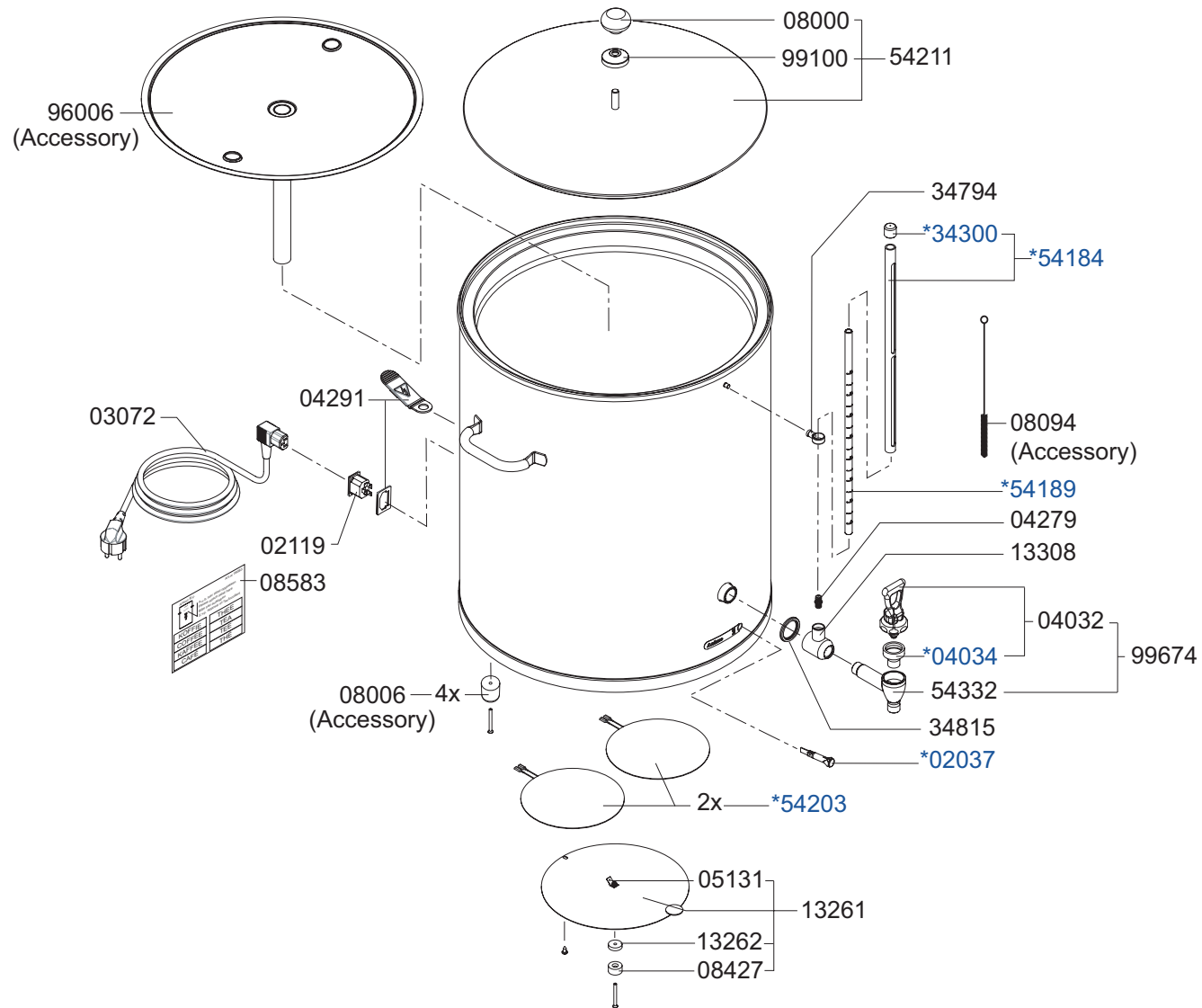
Page : 3-4
 Rev. : 0

Drawer: MT
 Date : 03-04-2006

Rated voltage : 3N~380-415V 50-60Hz 18.200W

Spare Parts Info

***** **Animo** *****
Assen - Holland



* = Recommended Spare Parts

Type : CNe 40
 Artikel : 51140

From mach. nr. : 1P 00244
 Date : 01-2006

Page : 1-1
 Rev. : 0

Drawer: MT
 Date : 03-04-2006

Rated voltage : 1N~220-240V 50-60Hz 140W

Spare Parts Info

***** **Animo** *****
Assen - Holland