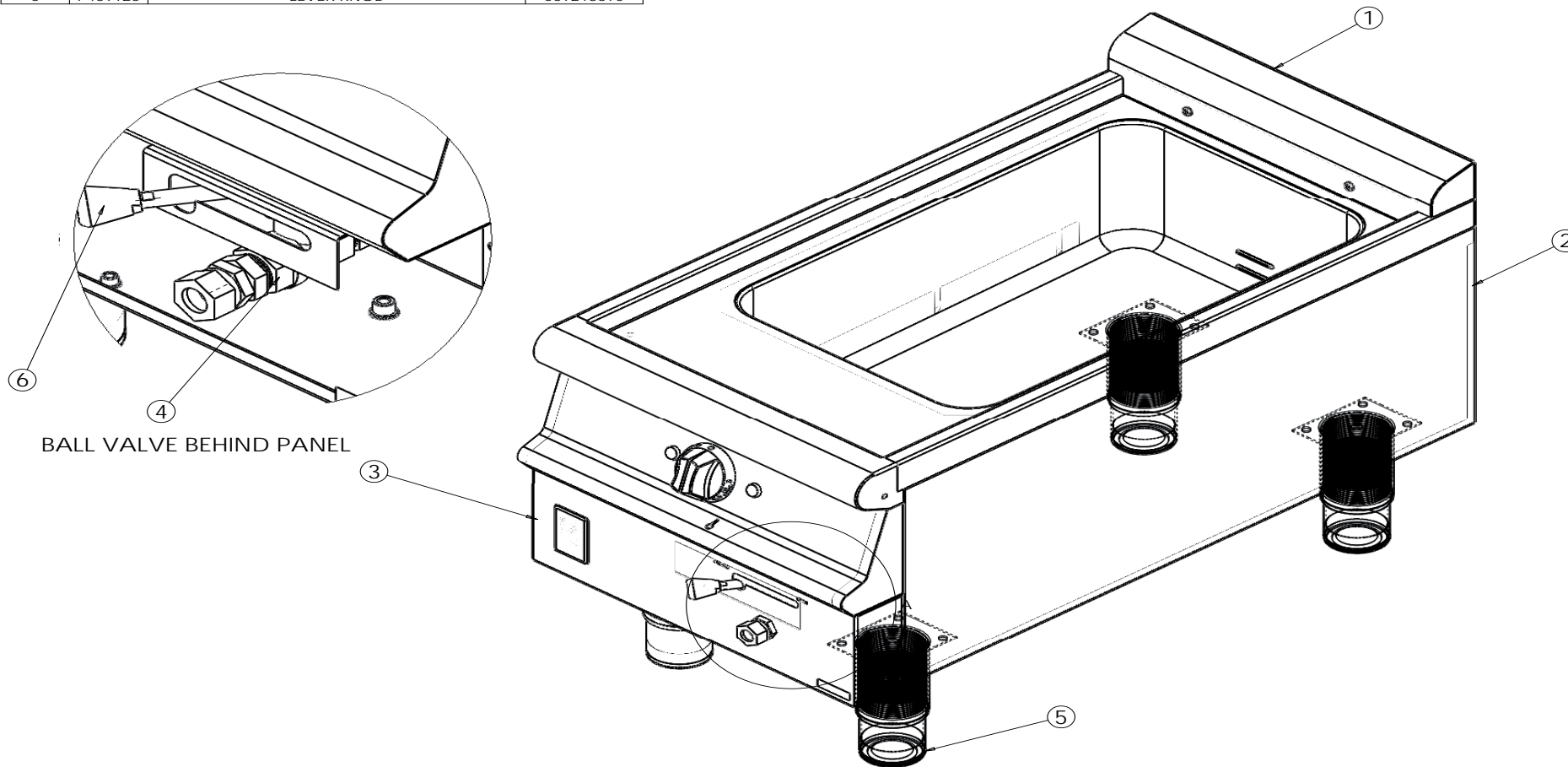


DOMINATOR PLUS

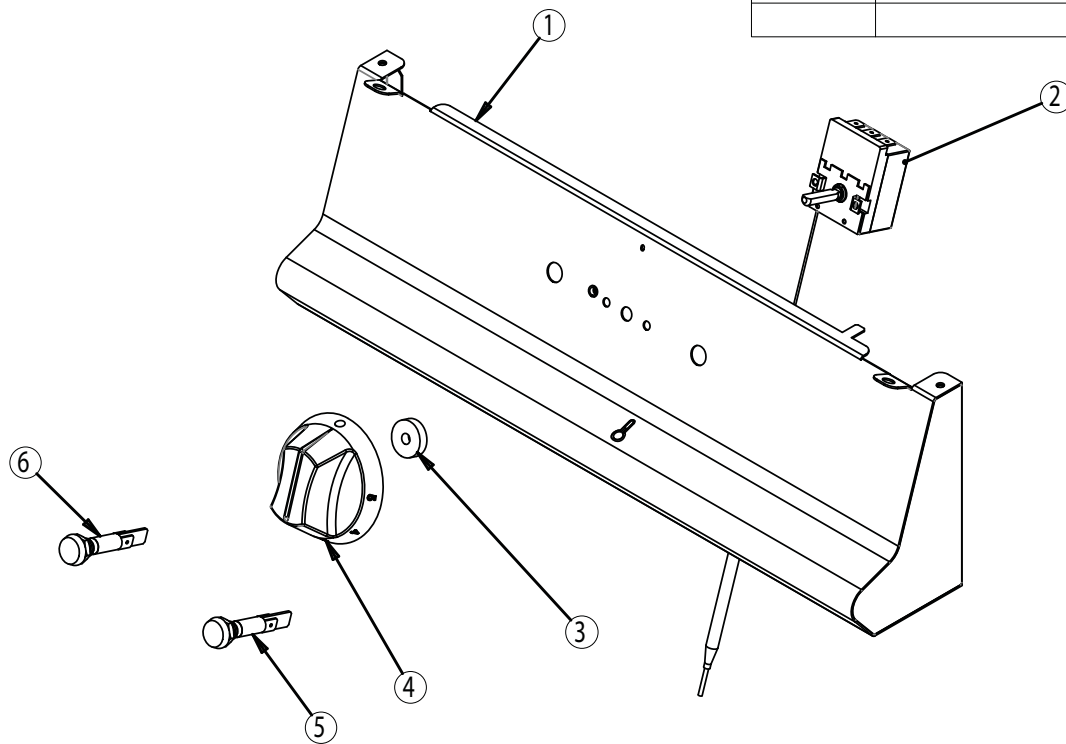
ITEM No	PART No	DESCRIPTION	SPARES No
1	T423422	HOB FLUE TOW	735820000
2	T423900	R & L/H SIDE PANEL	735850000
3	T423902	FRONT FACIA PANEL	735850001
4	R280	BALL VALVE	734350440
5	R6285	ADJUSTABLE FOOT	731350013
6	P439126	LEVER KNOB	539213390



Issue	Alteration	Date	Product	Document Reference
A	Initial Issue	17/03/14	E3407	AD49657

DOMINATOR PLUS

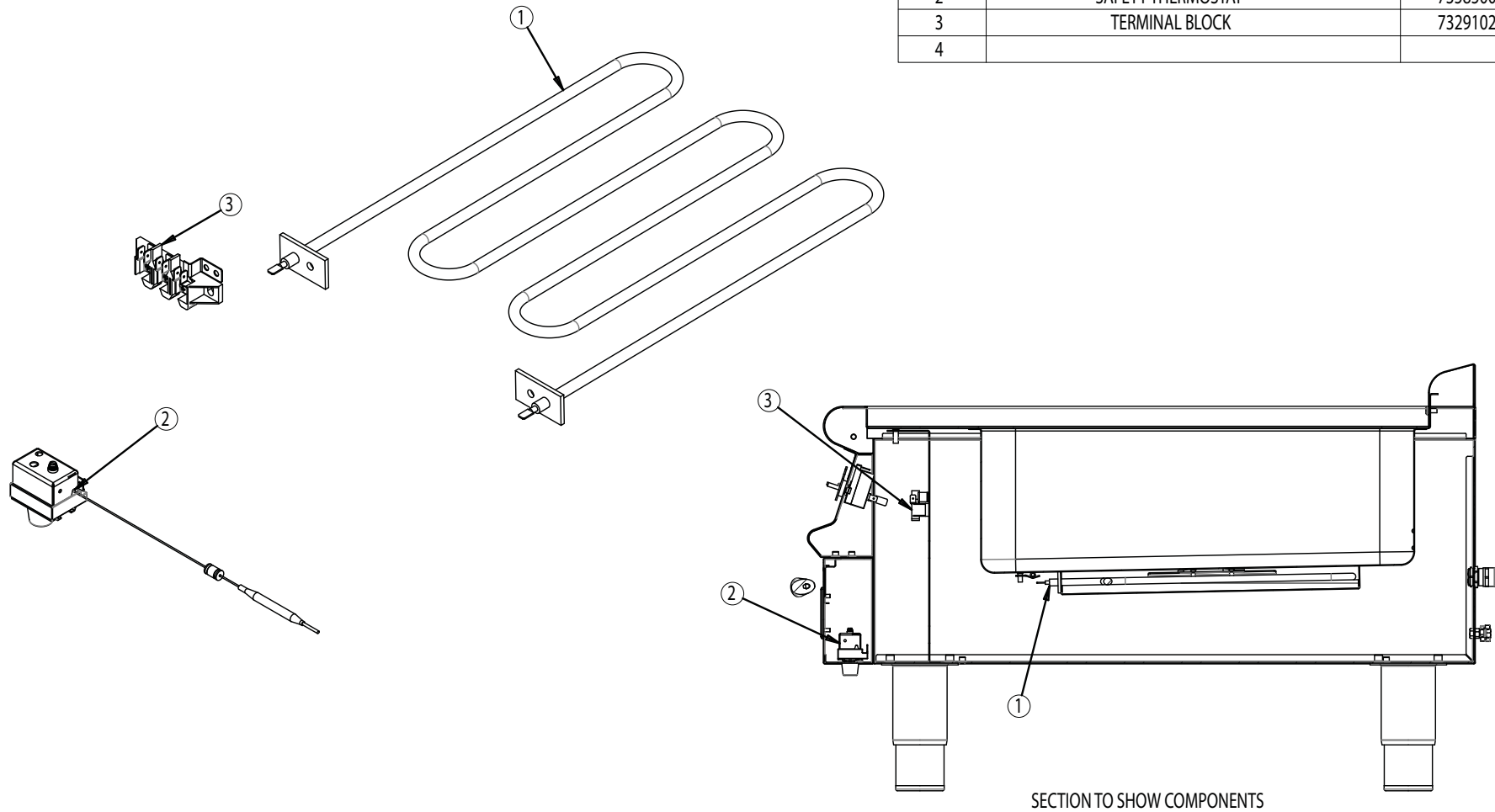
ITEM No	DESCRIPTION	SPARES No
1	CONTROL PANEL	735850002
2	OPERATING THERMOSTAT	735850004
3	RESISTANCE GROMMET	536430005
4	CONTROL KNOB	735850003
5	AMBER NEON	731740440
6	RED NEON	730962010



Issue	Alteration	Date	Product	Document Reference
B	7210	04/12/2014	E3407	AD49898

DOMINATOR PLUS

ITEM No	DESCRIPTION	SPARES No
1	ELEMENT	539113140
2	SAFETY THERMOSTAT	735850005
3	TERMINAL BLOCK	732910270
4		



Issue	Alteration	Date	Product	Document Reference
B	7210	04/12/2014	E3407	AD49898