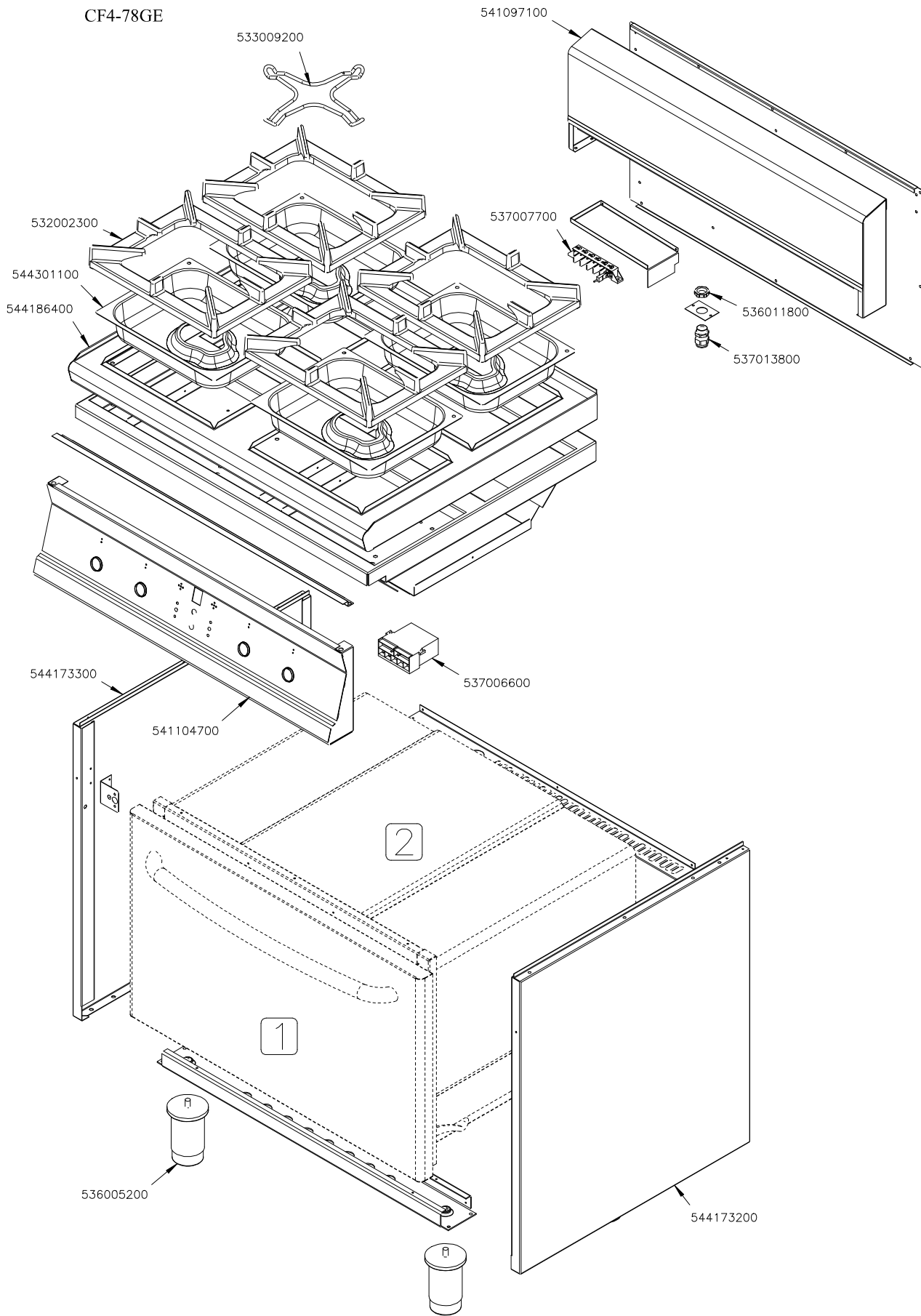
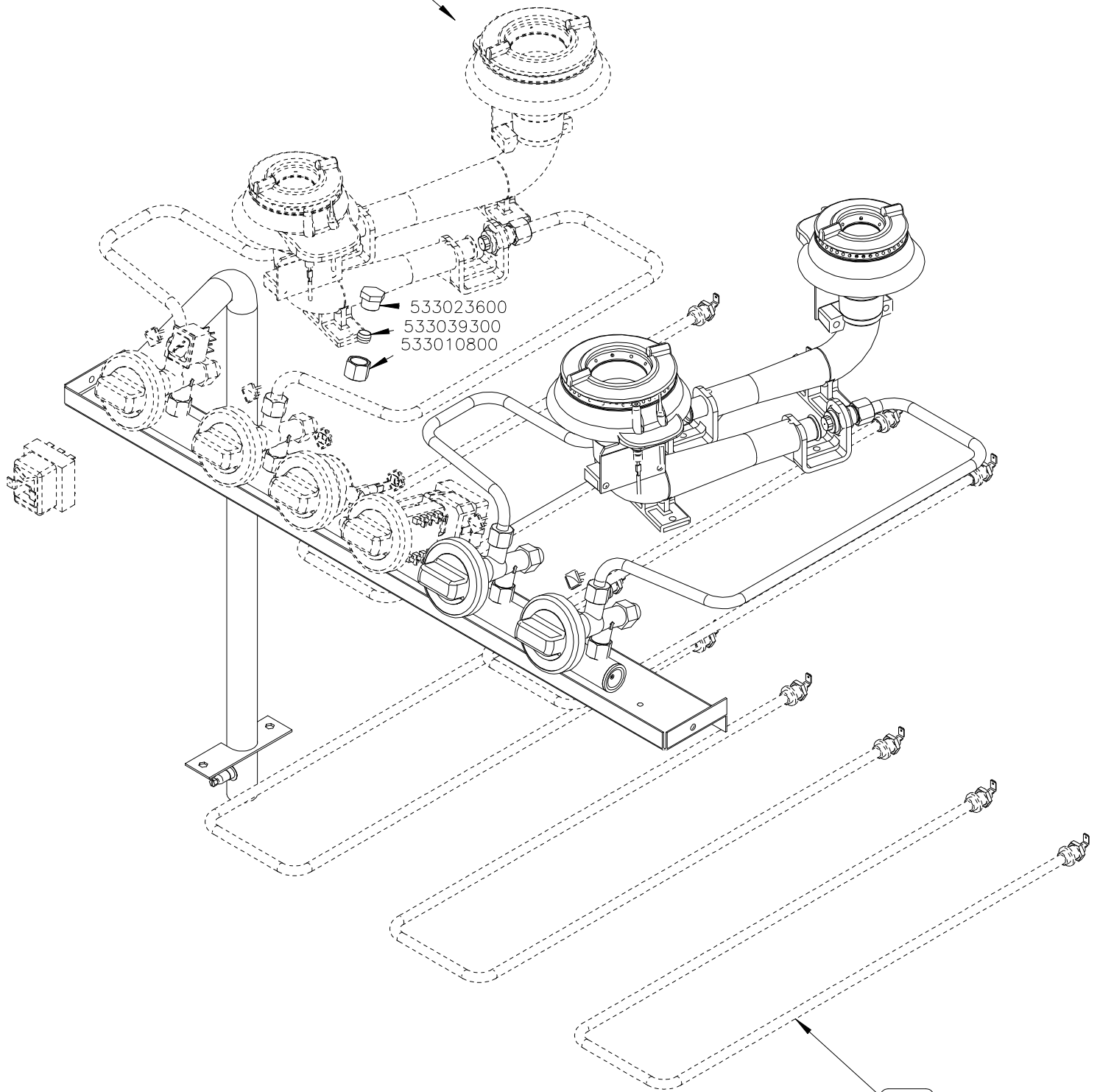


CF4-78GE



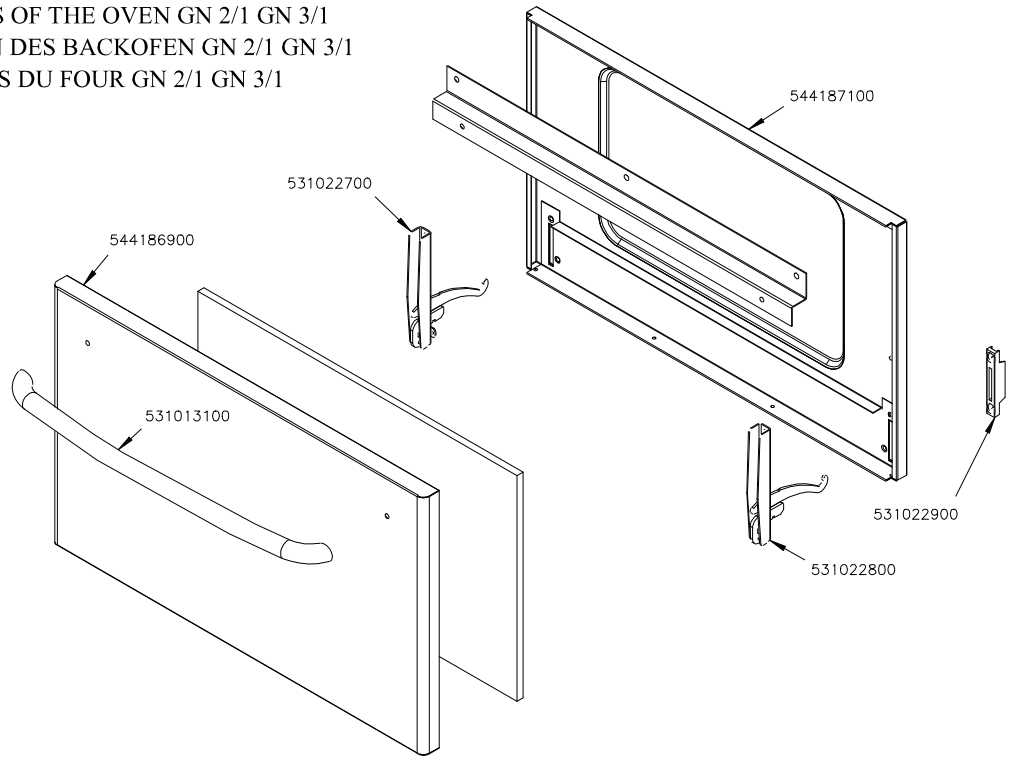
3



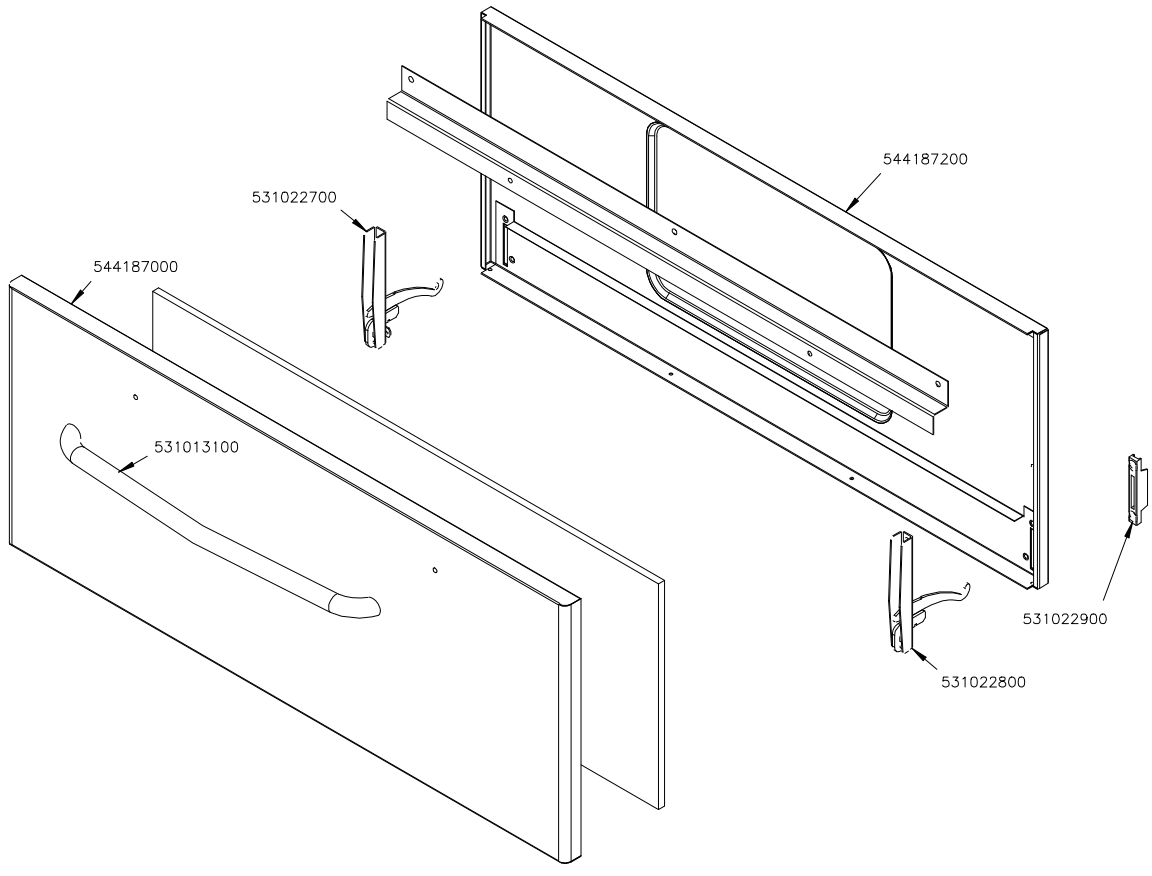
4

PORTE FORNO GN 2/1 GN 3/1
DOORS OF THE OVEN GN 2/1 GN 3/1
TUREN DES BACKOFEN GN 2/1 GN 3/1
PORTES DU FOUR GN 2/1 GN 3/1

GN 2/1

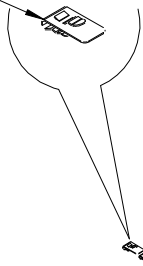


GN 3/1

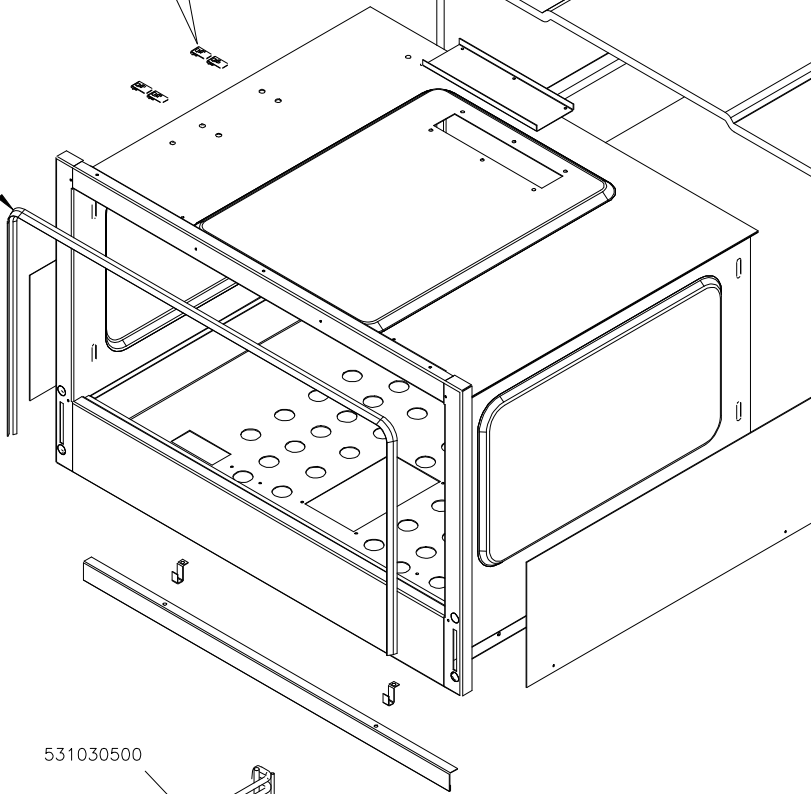


FORNO GN2/1 ELETTRICO CARCASSA
FRAME OF THE ELECTRICAL OVEN GN 2/1
GEHAUSE DES ELEKTROBACKOFEN GN 2/1
CHASSIS DU FOUR A ELECTRIQUE GN 2/1

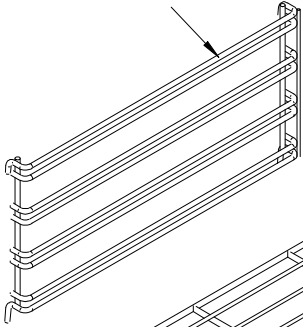
533037600



536010800



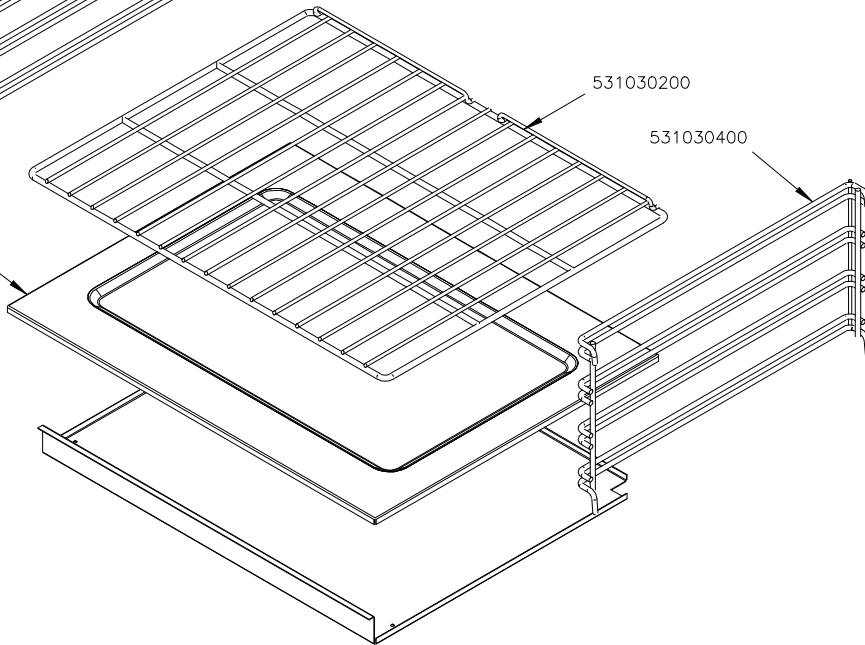
531030500



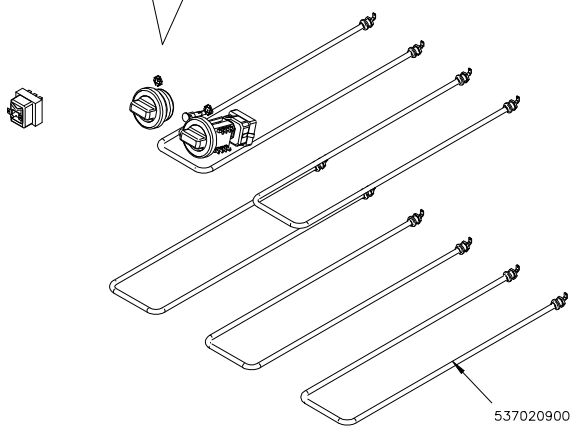
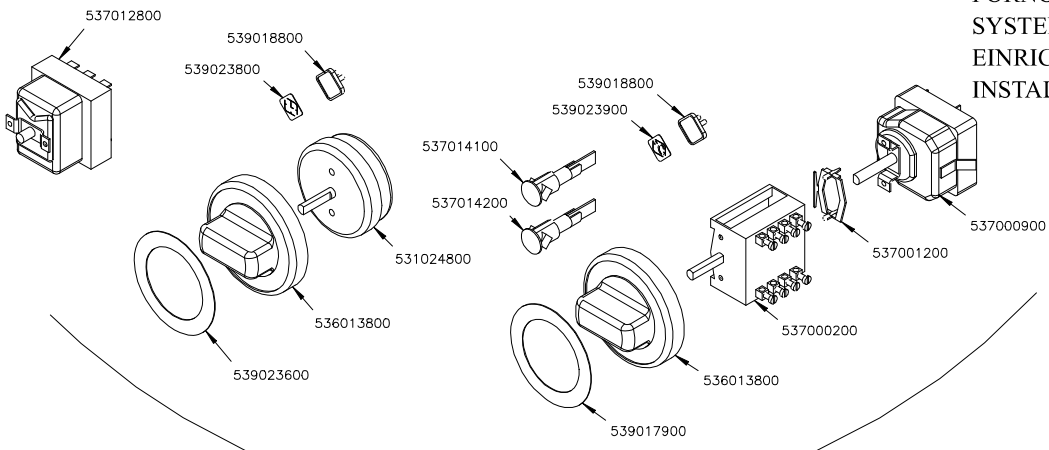
531030200

531030400

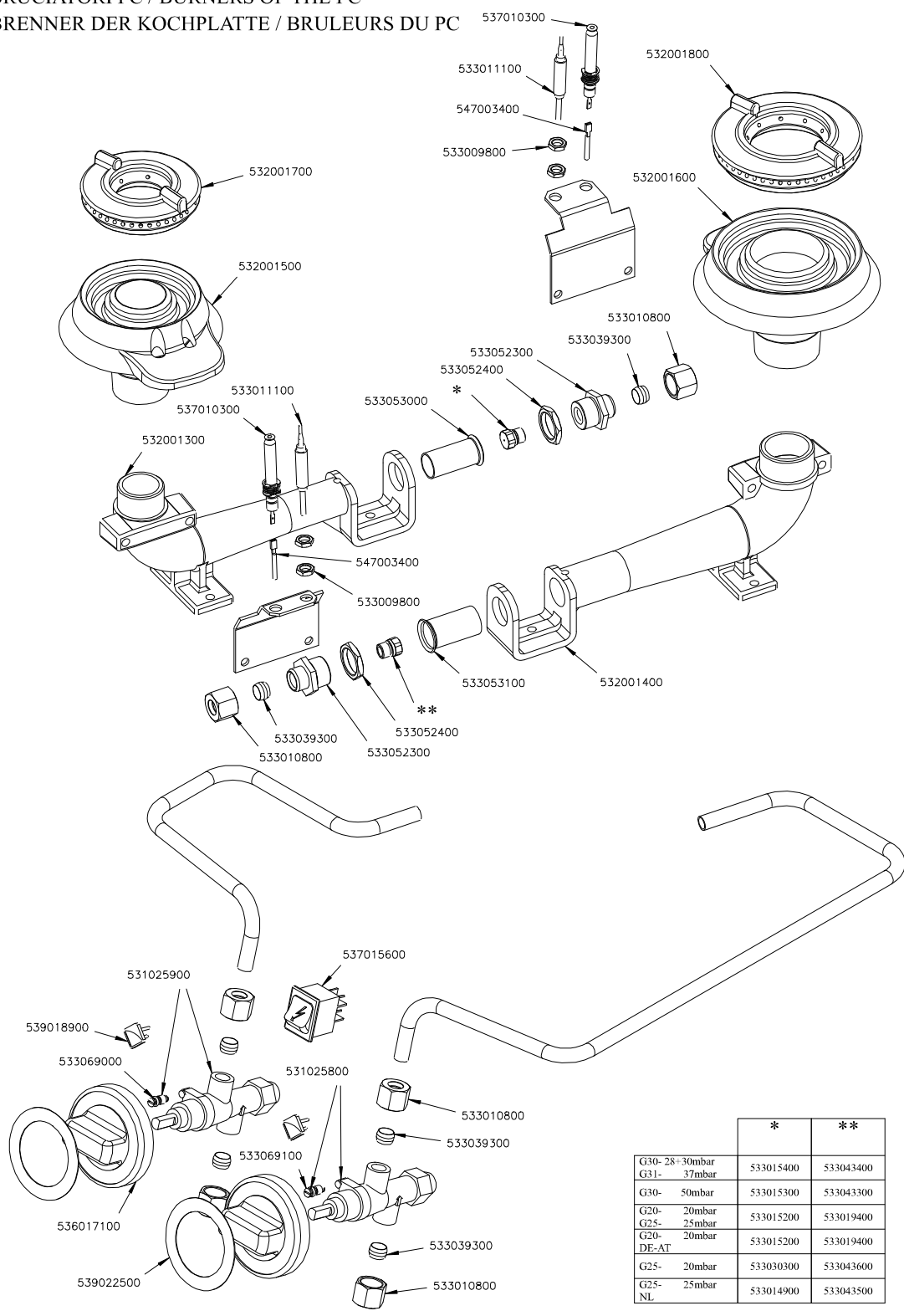
544198900



FORNO GN2/1 ELETTRICO IMPIANTO
SYSTEM OF THE ELECTRICAL OVEN GN 2/1
EINRICHTUNG DES ELEKTROBACKOFEN GN 2/1
INSTALLATION DU FOUR A ELECTRIQUE GN 2/1



BRUCIATORI PC / BURNERS OF THE PC
 BRENNER DER KOCHPLATTE / BRULEURS DU PC



	*	**
G30- 28-30mbar	533015400	533043400
G31- 37mbar		
G30- 50mbar	533015300	533043300
G20- 20mbar	533015200	533019400
G25- 25mbar		
G20- 20mbar	533015200	533019400
DE-AT		
G25- 20mbar	533030300	533043600
G25- 25mbar	533014900	533043500
NL		

Page	Pos	Code	Description
001		541097100	NEUTRAL SPACER 78
001		537007700	TERMINAL BLOCK THREEPHASE 40A
001		536011800	HEXAGONAL LOCK NUT PG-13,5
001		537013800	CABLE SECURING CLAMP PG-13,5
001		533009200	REDUCTION FOR 65 AND 70 LINE
001		532002300	1 FLAME GRILL 346X274 (70)
001		544301100	ENAMELLED BURNER DRIP PAN 1/2
001		544186400	UPPER PLATE PC-78G CF4-78G
001		544173300	LEFT SIDE PANEL RANGE S.70
001		541104700	CONTROL PANEL CF4-78GE
001		537006600	IGNITION UNIT 4 FLAMES V230
001		536005200	INOX LEG 2" 120-180 M10
001		544173200	RIGHT SIDE PANEL RANGE S.70
002		533023600	TAP PLUG §10 M16*1, 5CH19
002		533039300	BICONE §10
002		533010800	TUBE NUT D.10 M16*1,5
003		544187100	OVEN INNER DOOR GN 2/1 S.70
003		531022900	HINGE DOOR WHEEL HOLDER S.70
003		531022800	LEFT OVEN DOOR HINGE S.70
003		531022700	RIGHT OVEN DOOR HINGE 70LINE
003		544186900	OVEN DOOR GN 2/1 S.70
003		531013100	OVEN DOOR HANDLE OF 70/90-LINE
003		544187200	
003		544187000	OVEN DOOR GN 3/1 S.70
004		533037600	LOCK SPRING FOR BULB
004		536010800	OVEN GASKET GN 2/1 (1261)
004		531030500	LHD SUPPORT GRID FOR OVEN OF 70LINE
004		531030200	OVEN GRID GN 2/1 FOR 70 LINE
004		531030400	RHD SUPPORT GRID FOR OVEN OF 70LINE
004		544198900	70 ELECTRICAL OVEN BOTTOM GN2/1
005		537012800	SAFETY THERMOSTAT 420°C THREEPHASE
005		539018800	INDEX FOR OVEN KNOB
005		539023800	SIGN PLATE FOR OVEN TIMER
005		539023900	SIGN PLATE FOR OVEN TEMPERATURE
005		537014100	WHITE WARNING LIGHT 250V
005		537014200	GREEN WARNING LIGHT 250V
005		531024800	TIMER 120'- 360°
005		536013800	KNOB D.70 BLACK 6*5 WITH SPRING
005		539023600	ADHESIVE GRADUATED DISC FOR KNOB
005		537000900	THERMOSTAT 50-320°C THREEPHASE
005		537001200	FIXING BRACKET FOR THERMOSTAT/COMM.
005		537000200	COMMUTATOR 1 POS. 3PHASE S.49 16A
005		539017900	ADHESIVE GRADUATED DISC FOR KNOB
005		537020900	HEATING ELEMENT 1000W 230V OVEN S70
006		537010300	PLUG IGNITION WITH SPRING PC65
006		532001800	QUICKBURNER §102
006		533011100	THERMOCOUPLE 600 M8*1
006		547003400	HIGH-VOLTAGE CABLE L=900
006		533009800	BRASS NUT M8*1
006		532001700	QUICKBURNER §82
006		532001600	BURNER BODY 5,5 KW

Page	Pos	Code	Description
006		532001500	BURNER BODY 3,5 KW
006		533010800	TUBE NUT D.10 M16*1,5
006		533039300	BICONE §10
006		533052300	JOINT FOR NOZZLE HOLDER
006		533052400	NUT M20*1 H4
006		533053000	AIR ADJUSTMENT BUSHING §18
006		532001300	BURNER VENTURI 3,5 KW
006		532001400	BURNER VENTURI 5,5 KW
006		533053100	AIR ADJUSTMENT BUSHING §20
006		537015600	BIPOLAR SWITCH
006		531025900	SAFETY TAP 20S-B PEL20S21070
006		539018900	INDEX FOR KNOB
006		533069000	BY PASS COCK §70 20S-21S
006		536017100	BLACK KNOB §70 PIN §8*6,5
006		539022500	ADHESIVE GRADUATED DISC FOR KNOB
006		531025800	SAFETY TAP 20S-B PEL20S2160
006		533069100	BY PASS COCK §60 20S
006		533015400	NOZZLE §93 CH12*14 G-PC4 R
006		533043400	NOZZLE §117 CH12*14 G-PC4 UR
006		533015300	NOZZLE §82 CH12*14 F-PC4 R
006		533043300	NOZZLE §103 CH12*14 F-PC4 UR
006		533015200	NOZZLE §145 CH12*14 F-FP/CP6
006		533019400	NOZZLE §180 CH12*14 L-FQ5
006		533030300	NOZZLE §160 CH12*14 M-FPG
006		533043600	NOZZLE §200 CH12*14 L-PC4 UR
006		533014900	NOZZLE §150 CH12*14 F-FQ5 L-FQ6
006		533043500	NOZZLE §190 CH12*14 G25 PC4R