

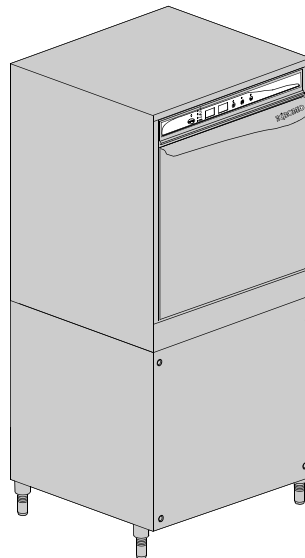
DISHWASHER

ELECTRICAL SWITCHES
LOWER WASHING
LOWER AND UPPER WASHING
INSULATED MODEL

TYPE: LUX 85EL

Accessories
BREAK TANK
BOOSTER PUMP
DVGW
COLD RINSE
WATER SOFTNER
DETERGENT DISPENSER
DRAIN PUMP

Spare Parts Manual



INFORMAZIONI GENERALI

Questo catalogo serve per richiedere con esattezza le parti di ricambio

Nelle ordinazioni indicare:

1) il numero dei codici dei particolari seguito dalla descrizione e la quantità desiderata;

2) Il codice alfa-numerico presente nella seconda colonna della tabella ;

I disegni delle parti di ricambio sono solo indicativi e non rappresentano il pezzo in oggetto.

I dati contenuti in questo catalogo sono indicativi e possono essere soggetti a modifiche senza impegno di preavviso.

ALLGEMEINE INFORMATIONEN

Dieser Ersatzteilkatalog dient zur genauen Angabe der Teile bei Ersatzteilbestellungen.

Bei Ersatzbestellung ist folgendes anzugeben:

1) Die Bestellnummer der Ersatzteile mit der entsprechenden Beschreibung genaue Menge;

2) Der alpha-numerischer Code auf der zweiten Reihe in dein Sculd;

Die Zeichnungen der Ersatzteile sind nur als Hinweise gedacht und stellen nicht das betroffene Teil dar.

Bei den im Katalog angeführten Daten handelt es sich um Anhaltsdaten, die jederzeit, ohne Vorankündigung, geändert werden können.

GENERAL INFORMATION

The present spare parts order exactly the right spare parts

When ordering specify:

1) the part's code number followed by its description and quantity needed;

2) The alpha-numeric code is in the second column in the chart;

Spare parts drawings are general and do not represent the part.

The contents of this catalogue are general and can undergo changes without prior notice.

INFORMACIONES GENERALES

El presente catálogo sirve para pedir con exactitud las partes de repuesto

En los pedidos se debe indicar:

1) el número de código de la parte y a continuación la descripción cantidad deseada;

2) El código alfanumerico presente en la segnada columna de la tabla;

Los diseños de las partes de recambio son solo indicativos y no representan la pieza en cuestión.

Los datos contenidos en el presente catálogo son indicativos y pueden modificarse sin aviso previo.

INFORMATIONS GENERALES

Ce catalogue permet de commander correctement les pièces détachées

Les commandes doivent être passées en indiquant:

1) le numero de code des pièces détachées suivi de leur description quantité désirée;

2) le code alphanumérique dans la deuxième colonne du tableau;

Les plans des pièces détachées sont fournis seulement à titre indicatif et ne représentent pas la pièce concernée.

Les données de ce catalogue sont citées seulement à titre indicatif et peuvent être l'objet de modifications sans avis préalable.

ESEMPIO
EXAMPLE
EXEMPLE
BEISPIEL

| Rif. | Codici |
|--------------------|---------|
| MODULE:Particolari | |
| 10505 | 540903 |
| 10510 | 540908 |
| 10515 | 15065/A |
| 10520 | 540086 |
| 10525 | 540028 |

Note

Tutte le informazioni riportate si intendono aggiornate alla data di stampa. Il Produttore si riserva il diritto di apportare qualsiasi modifica richiesta dallo sviluppo evolutivo dei suddetti prodotti.

Per la sicurezza, la garanzia, l'affidabilità ed il valore della lavastoviglie usa solo ricambi originali. **Per alcuni codici, sono richieste quantità minime d'ordine.**

Attenzione

Questo libretto è parte integrante della lavastoviglie e, in caso di passaggio di proprietà, deve essere consegnato al nuovo acquirente.

Remarque

Toutes les informations contenues dans ce manuel s'entendent mises à jour à la date d'impression. En raison du développement constant de ses produits, usine se réserve le droit d'apporter à tout instant les modifications qu'elle jugera utiles.

Pour la sécurité, la garantie, la fiabilité et la valeur de votre lavevaisselles n'utilisez que des pièces de rechange d'origine. **Pour quelque référence on demande un minimum de pièces par commande**

Attention

Ce manuel doit être considéré comme partie intégrante de la la lavevaisselles, en cas de transfert de propriété, doit toujours être remis au nouveau propriétaire.

Note

The information contained herein is valid at the time of going to print. The Company reserves the right to make any changes required by the future development of the above-mentioned products.

For your safety, as well as to preserve the warranty reliability and worth of your dishwashers, use original spare parts only. **For some codes a minimum quantity for order is required.**

Warning

This manual forms an integral part of the dishwashers and - if a transfer of title occurs - must always be handed over to the new owner.

Hinweis

Die Der Hersteller behält sich das Recht vor, jegliche, durch eine Weiterentwicklung der genannten Produkte bedingte Änderungen vornehmen zu können.

Verwenden Sie für Ihre Sicherheit, die Garantie, die Zuverlässigkeit und den Wert Ihrer machine originale Ersatzteile. **Für bestimmte Code nummer werden mindesten bestellungen verlangt.**

Achtung

Diese Betriebsanleitung ist Bestandteile des machine und muss bei seinem Weiterverkauf dem neuen Besitzer ausgehändigt werden.



Code 999XYYYY **CL/Part**

Model DESCRIPTION 

S/N 04012345 **Type**

400VAC3N 50HZ 8A
3500W 500W

  16A

200-500

Pressione Dinamica alimentazione idrica
Pression dynamique arrivee d'eau
Dynamic pressure water supply
Dynamischer Druck asserreinlauf

Pressione dinamica vapore saturo
Pression dynamique vapeur satuee
Dymanischer Druck gesattigter Dampf
Pression Dinamica Vapor Saturado

TECHICAL SPECIFICATION

MADE IN ITALY

Temperatura massima acqua in ingresso **60°C**
Temperature max eau a l'entre
Maximale Temperatur Wasseranschluß
Maximum Water temperature in-feeding

Model 

S/N 

CODE 999 XX YYYY

FAMIGLIA PRODOTTO
FAMILY PRODUCT
FAMILLE DU PRODUIT
FAMILIA PRODUCTO
FAMILIE DES PRODUKTES

CODICE MODELLO
CODE MODEL
CODE ARTICLE
CODIGO MODELO
KODE VON MODELL

S/N 04 012345

ANNO
YEAR
ANNÉE
AN^o
JAHR

NUMERO DI SERIE
SERIAL NUMBER
NUMÉRO DI SÉRIE
NUMERO DI SERIE
SERIENNUMMER

1. Spare parts

| | |
|----------------------------------|----|
| General body parts..... | 7 |
| Lockup system | 9 |
| Electric control components..... | 11 |
| Electric control | 13 |
| Solenoid valve group | 15 |
| Solenoid valve group | 17 |
| Break Tank | 19 |
| Booster pump..... | 21 |
| DVGW | 23 |
| Water softner group..... | 25 |
| Rinse aid dispenser group..... | 27 |
| Boiler group | 29 |
| Wash pump | 31 |
| Dosing detergent group..... | 33 |
| Dosing detergent group..... | 35 |
| Drain pump group..... | 37 |

Pressure switch group with air trap ...39

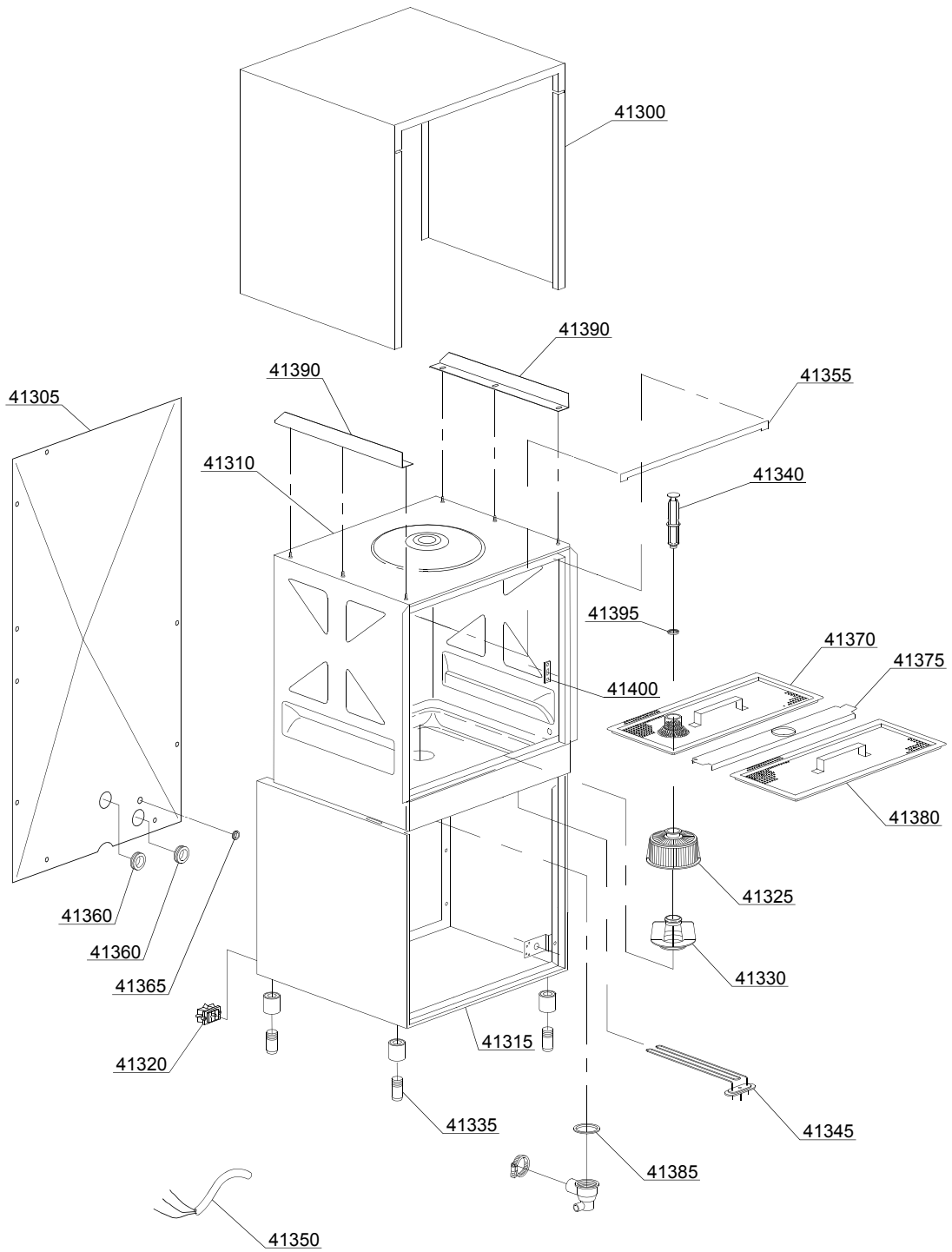
Turret group with rotating arms41

1.1 Voltage codes

| Volt | Voltage code |
|------|-------------------------|
| A | 3/N/PE~380-400V 50-60Hz |
| D | 3/PE~200-210V 50-60Hz |
| F | 2/PE~220-240V 50-60Hz |
| G | 3/N/PE~415V 50-60Hz |
| H | 3/PE~220-230V 50-60Hz |
| K | 3/PE~380-400V 50-60Hz |
| L | 3/PE~415V 50-60Hz |
| M | 3/PE~440V 60Hz |
| P | 1/N/PE~220-230V 50-60Hz |
| R | 2/PE~220-240V 50-60Hz |
| U | 1/N/PE~240V 50-60Hz |
| V | 3/PE~240V 50-60Hz |
| W | 1/N/PE~100-110V 50-60Hz |

1.2 Product codes

| Product code | Full name |
|-----------------|-------------------------|
| Model codes | |
| e | ELECTRONICAL SWITCHES |
| lw | LOWER WASHING |
| uw | LOWER AND UPPER WASHING |
| i | INSULATED MODEL |
| Type codes | |
| LUX85EL | LUX 85EL |
| Accessory codes | |
| bt | BREAK TANK |
| bp | BOOSTER PUMP |
| dvgw | DVGW |
| cr | COLD RINSE |
| ws | WATER SOFTNER |
| dd | DETERGENT DISPENSER |
| dp | DRAIN PUMP |



01_035_e

Spare parts

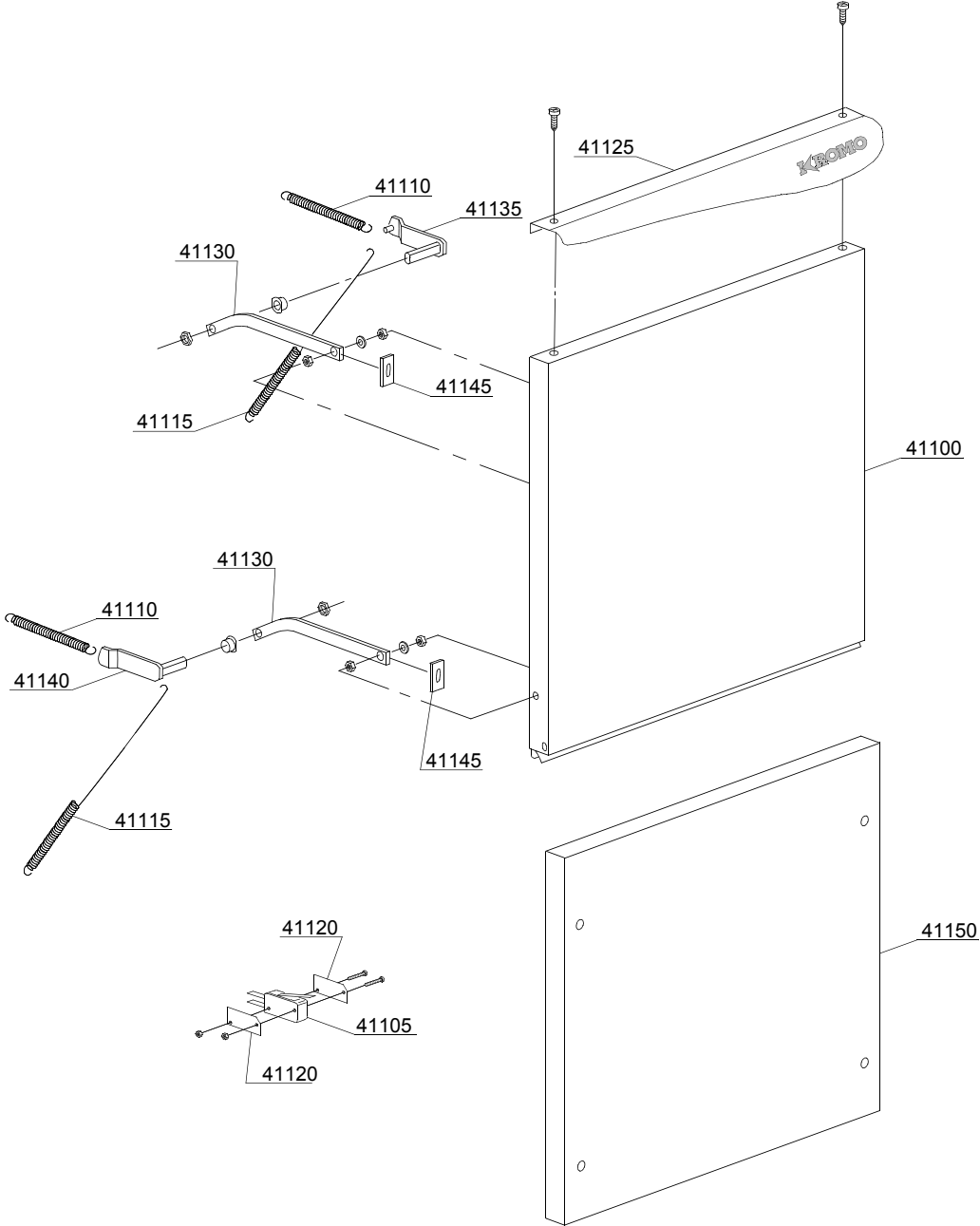
| ID | P-code | SN from | SN to | Mod. | Acces. | Volt | Description |
|----------------------------------|---------|---------|-------|------|--------|------|---|
| Module:General body parts | | | | | | | |
| 41300 | 550944 | | - | | | | Cover |
| 41305 | 550945 | | - | | | | Back panel |
| 41310 | 550900 | | - | | | | Body |
| 41315 | 550903 | | - | | | | Steel base |
| 41315 | 550937 | | - | | | | Body assembly + steel base |
| 41320 | 15065/A | | - | | | | Cable-fastener with screw |
| 41325 | 500616 | | - | | | | Suction filter |
| 41330 | 500615 | | - | | | | Ferrule with filter |
| 41335 | 15116 | | - | | | | Foot |
| 41340 | 500619 | | - | | | | Overflow pipe |
| 41345 | 150047 | | - | | | | 2,7/2,94KW 230/240V heating element |
| 41350 | 80200 | | - | | | | 5x4x3400 cable |
| 41355 | 550207 | | - | | | | Door ledge O-ring |
| 41360 | 13324 | | - | | | | Ø46 mm lead through rubber |
| 41365 | 13323 | | - | | | | Ø13 mm lead through rubber (minimum 2 pieces) |
| 41370 | 550912 | | - | | | | Surface filter for overflow |
| 41375 | 75926 | | - | | | | Sleeper holder-filter |
| 41380 | 75626 | | - | | | | Surface half-filter |
| 41385 | 80208 | | - | | | | 95x75x3 O-ring (minimum 2 pieces) |
| 41390 | 550947 | | - | | | | Right/left internal slide |
| 41395 | 13021 | | - | | | | DEM 40 O-ring (minimum 2 pieces) |
| 41400 | 150401 | | - | | | | Door rod slide (minimum 4 pieces) |

em=ELECTROMECHANICAL SWITCHES, lw=LOWER WASHING, uw=LOWER AND UPPER WASHING, i=INSULATED MODEL

LUX85EL=LUX 85EL

bt=BREAK TANK, bp=BOOSTER PUMP, dvgw=DVGW, cr=COLD RINSE, ws=WATER SOFTNER, dd=DETERGENT DISPENSER, dp=DRAIN PUMP

A=3/N/PE~380-400V 50-60Hz, D=3/PE~200-210V 50-60Hz, F=2/PE~220-240V 50-60Hz, G=3/N/PE~415V 50-60Hz, H=3/PE~220-230V 50-60Hz, K=3/PE~380-400V 50-60Hz, L=3/PE~415V 50-60Hz, M=3/PE~440V 60Hz, P=1/N/PE~220-230V 50-60Hz, R=2/PE~220-240V 50-60Hz, U=1/N/PE~240V 50-60Hz, V=3/PE~240V 50-60Hz, W=1/N/PE~100-110V 50-60Hz



02_306_e

Spare parts

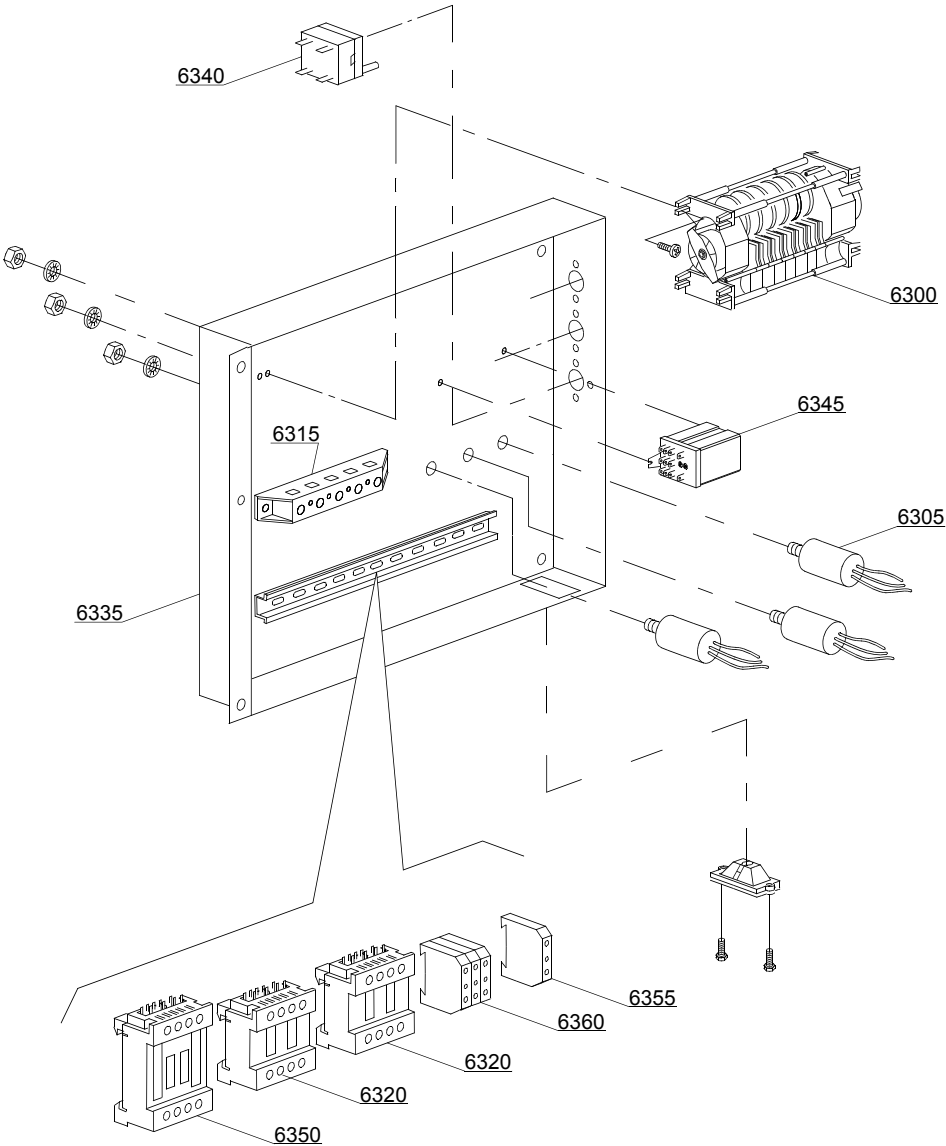
| ID | P-code | SN from | SN to | Mod. | Acces. | Volt | Description |
|------------------------------|----------|---------|-------|------|--------|------|--|
| Module: Lockup system | | | | | | | |
| 41100 | 550950 | | - | | | | Door |
| 41105 | 10704 | | - | | | | Door microswitch |
| 41110 | 550206/A | | - | | | | Short spring door |
| 41115 | 550212 | | - | | | | Long spring door |
| 41120 | 10770 | | - | | | | Insulation for door microswitch (minimum 3 pieces) |
| 41125 | 550952 | | - | | | | Steel handle |
| 41130 | 150221/A | | - | | | | Door rod |
| 41135 | 550908 | | - | | | | Right hinge door |
| 41140 | 550909 | | - | | | | Left hinge door |
| 41145 | 135222 | | - | | | | Hinge door seal |
| 41150 | 550955 | | - | | | | Under door |
| 41150 | 550956 | | - | | | | Under door |
| 41150 | 550957 | | - | | | | Under door |

em=ELECTROMECHANICAL SWITCHES, lw=LOWER WASHING, uw=LOWER AND UPPER WASHING, i=INSULATED MODEL

LUX85EL=LUX 85EL

bt=BREAK TANK, bp=BOOSTER PUMP, dvgw=DVGW, cr=COLD RINSE, ws=WATER SOFTNER, dd=DETERGENT DISPENSER, dp=DRAIN PUMP

A=3/N/PE~380-400V 50-60Hz, D=3/PE~200-210V 50-60Hz, F=2/PE~220-240V 50-60Hz, G=3/N/PE~415V 50-60Hz, H=3/PE~220-230V 50-60Hz, K=3/PE~380-400V 50-60Hz, L=3/PE~415V 50-60Hz, M=3/PE~440V 60Hz, P=1/N/PE~220-230V 50-60Hz, R=2/PE~220-240V 50-60Hz, U=1/N/PE~240V 50-60Hz, V=3/PE~240V 50-60Hz, W=1/N/PE~100-110V 50-60Hz



04_008be

Spare parts

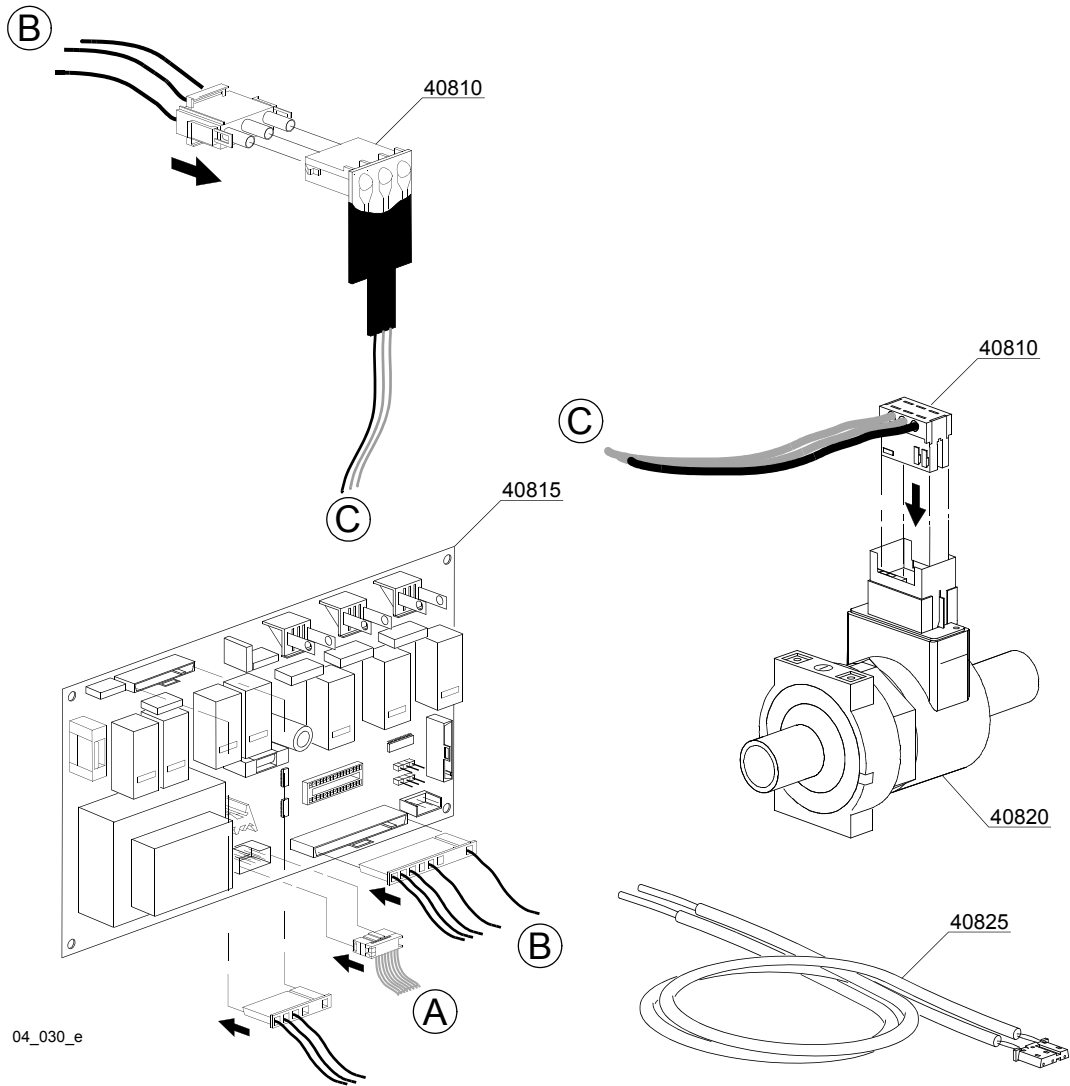
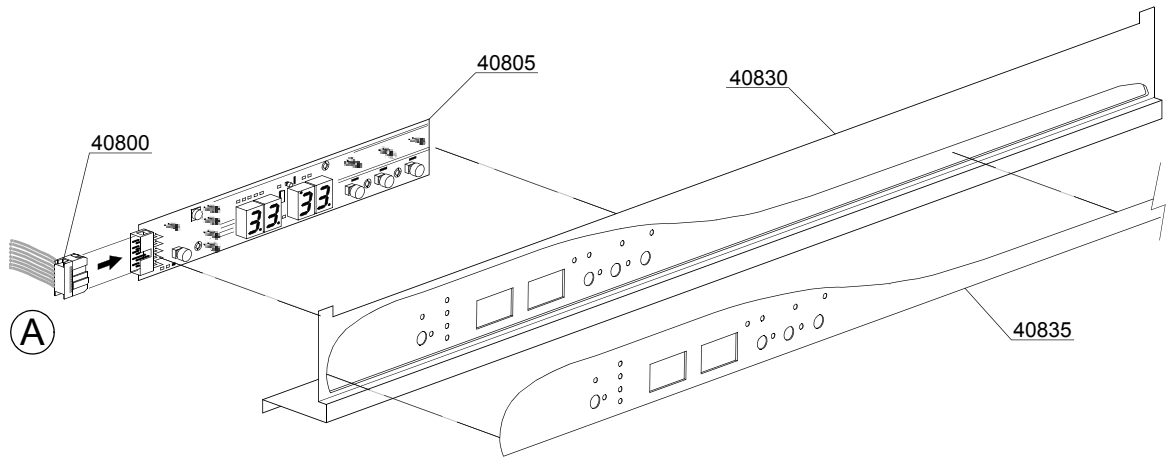
| ID | P-code | SN from | SN to | Mod. | Acces. | Volt | Description |
|---|----------|---------|-------|------|--------|------|----------------------------------|
| Module:Electric control components | | | | | | | |
| 6300 | 10300123 | | - | | | A | 90/180" timer |
| 6300 | 22011 | | - | | | | 120/240" timer with thermostop |
| 6300 | 30001030 | | - | | | | 120/240" timer with thermostop |
| 6300 | 30001031 | | - | | | | 120/180" timer with thermostop |
| 6305 | 15149 | | - | | | | Low noise filter |
| 6315 | 500551 | | - | | | | 6 poles terminal board |
| 6315 | 500550 | | - | | | | 3 poles terminal board |
| 6320 | 15086 | | - | | | | Contacteur 230V 50/60Hz 4C |
| 6320 | 15086/B | | - | | | | Contacteur 240V 50Hz |
| 6335 | 550907 | | - | | | | Electric components panel |
| 6340 | 2000430 | | - | | | | Safety thermostat |
| 6345 | 15620 | | - | | | | Bipolar relay in deviation |
| 6350 | 10300050 | | - | | | | 25A/12A contactor - 230V 50/60HZ |
| 6350 | 10300052 | | - | | | | 36A/20A contactor - 230V 50/60HZ |

em=ELECTROMECHANICAL SWITCHES, lw=LOWER WASHING, uw=LOWER AND UPPER WASHING, i=INSULATED MODEL

LUX85EL=LUX 85EL

bt=BREAK TANK, bp=BOOSTER PUMP, dvgw=DVGW, cr=COLD RINSE, ws=WATER SOFTNER, dd=DETERGENT DISPENSER, dp=DRAIN PUMP

A=3/N/PE~380-400V 50-60Hz, D=3/PE~200-210V 50-60Hz, F=2/PE~220-240V 50-60Hz, G=3/N/PE~415V 50-60Hz, H=3/PE~220-230V 50-60Hz, K=3/PE~380-400V 50-60Hz, L=3/PE~415V 50-60Hz, M=3/PE~440V 60Hz, P=1/N/PE~220-230V 50-60Hz, R=2/PE~220-240V 50-60Hz, U=1/N/PE~240V 50-60Hz, V=3/PE~240V 50-60Hz, W=1/N/PE~100-110V 50-60Hz



04_030_e

Spare parts

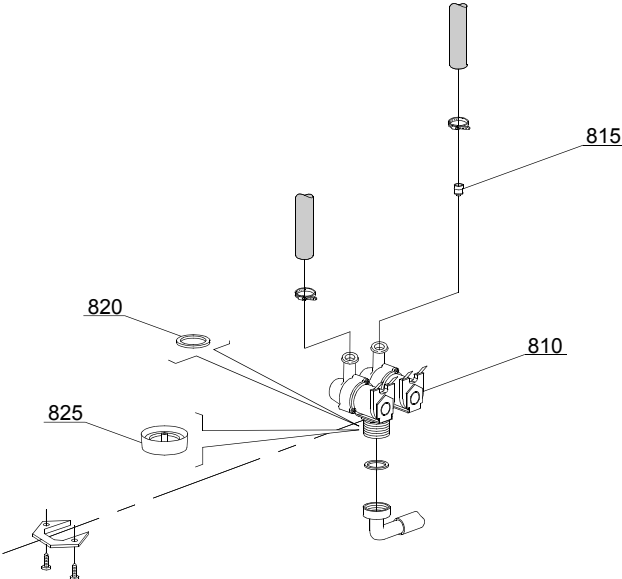
| ID | P-code | SN from | SN to | Mod. | Acces. | Volt | Description |
|--------------------------------|--------|---------|-------|------|--------|------|-----------------------------|
| Module:Electric control | | | | | | | |
| 40800 | 50589 | | - | | | | Plug |
| 40805 | 50581 | | - | | | | Touche sensitive |
| 40810 | 50584 | | - | | | | Water flow board |
| 40815 | 50580 | | - | | | | Electronic timer+main board |
| 40820 | 50583 | | - | | | | Water flow meter for board |
| 40825 | 50562 | | - | | | | Temperature probe set |
| 40830 | 550954 | | - | | | | Control Panel |
| 40835 | 560968 | | - | | | | Silkscreen processed grill |

em=ELECTROMECHANICAL SWITCHES, lw=LOWER WASHING, uw=LOWER AND UPPER WASHING, i=INSULATED MODEL

LUX85EL=LUX 85EL

bt=BREAK TANK, bp=BOOSTER PUMP, dvgw=DVGW, cr=COLD RINSE, ws=WATER SOFTNER, dd=DETERGENT DISPENSER, dp=DRAIN PUMP

A=3/N/PE~380-400V 50-60Hz, D=3/PE~200-210V 50-60Hz, F=2/PE~220-240V 50-60Hz, G=3/N/PE~415V 50-60Hz, H=3/PE~220-230V 50-60Hz, K=3/PE~380-400V 50-60Hz, L=3/PE~415V 50-60Hz, M=3/PE~440V 60Hz, P=1/N/PE~220-230V 50-60Hz, R=2/PE~220-240V 50-60Hz, U=1/N/PE~240V 50-60Hz, V=3/PE~240V 50-60Hz, W=1/N/PE~100-110V 50-60Hz



05_003_e

Spare parts

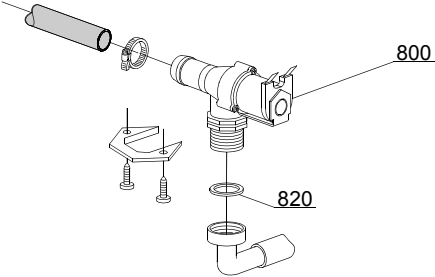
| ID | P-code | SN from | SN to | Mod. | Acces. | Volt | Description |
|------------------------------------|--------|---------|-------|------|--------|------|--|
| Module:Solenoid valve group | | | | | | | |
| 810 | 15098 | | - | i,em | cr,ws | | Double solenoid valve - Ø10 - 220Vac |
| 815 | 15115 | | - | i,em | cr,ws | | Green pression solenoid valve (minimum 2 pieces) |
| 820 | N.C. | | - | i,em | cr,ws | | Pression reducing valve |

em=ELECTROMECHANICAL SWITCHES, lw=LOWER WASHING, uw=LOWER AND UPPER WASHING, i=INSULATED MODEL

LUX85EL=LUX 85EL

bt=BREAK TANK, bp=BOOSTER PUMP, dvgw=DVGW, cr=COLD RINSE, ws=WATER SOFTNER, dd=DETERGENT DISPENSER, dp=DRAIN PUMP

A=3/N/PE~380-400V 50-60Hz, D=3/PE~200-210V 50-60Hz, F=2/PE~220-240V 50-60Hz, G=3/N/PE~415V 50-60Hz, H=3/PE~220-230V 50-60Hz, K=3/PE~380-400V 50-60Hz, L=3/PE~415V 50-60Hz, M=3/PE~440V 60Hz, P=1/N/PE~220-230V 50-60Hz, R=2/PE~220-240V 50-60Hz, U=1/N/PE~240V 50-60Hz, V=3/PE~240V 50-60Hz, W=1/N/PE~100-110V 50-60Hz



05_005_e

Spare parts

| ID | P-code | SN from | SN to | Mod. | Acces. | Volt | Description |
|------------------------------------|----------|---------|-------|------|--------|------|--------------------------------|
| Module:Solenoid valve group | | | | | | | |
| 800 | 30001000 | | - | em,i | | | Single solenoid valve - 220Vac |
| 820 | N.C. | | - | em,i | | | Pression reducing valve |

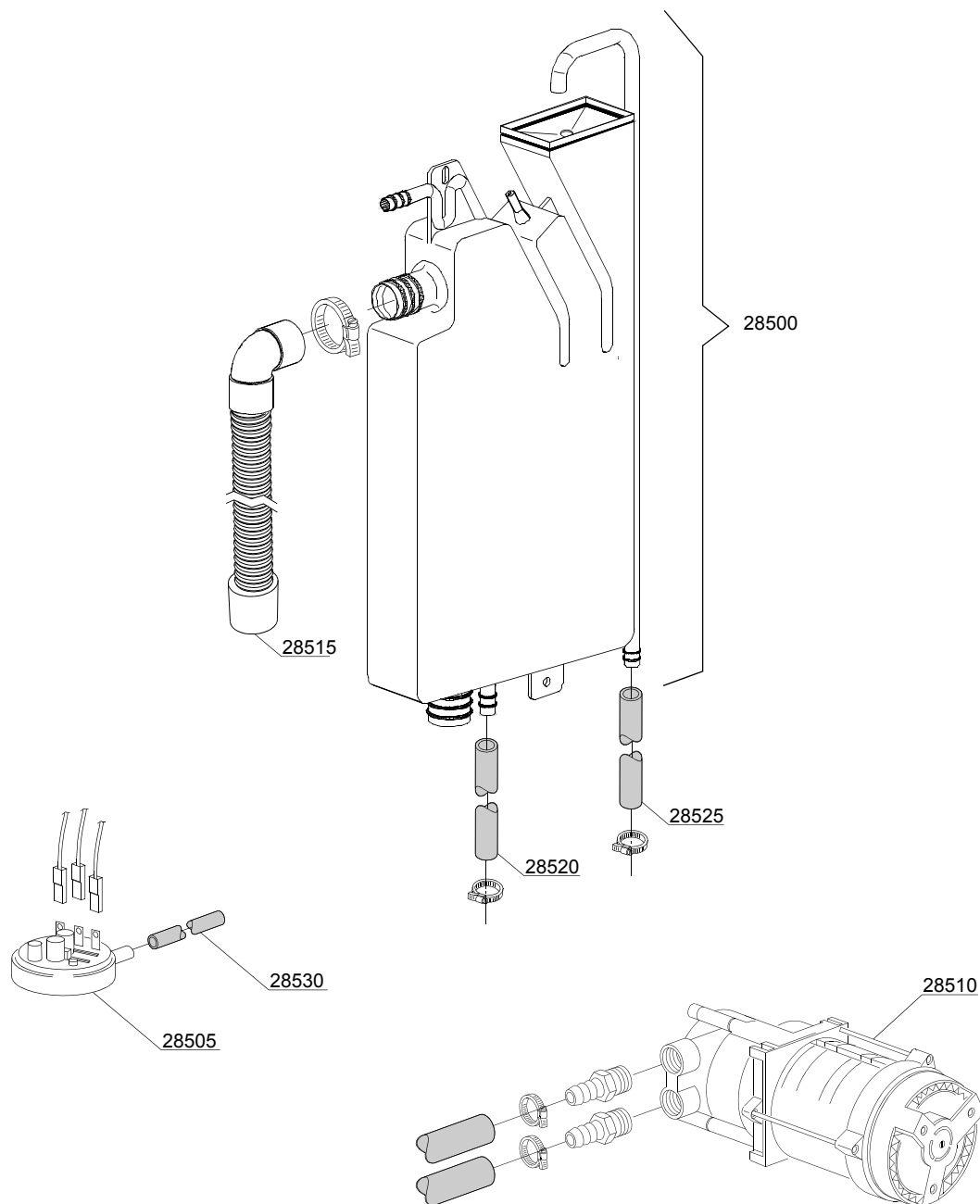
em=ELECTROMECHANICAL SWITCHES, lw=LOWER WASHING, uw=LOWER AND UPPER WASHING, i=INSULATED MODEL

LUX85EL=LUX 85EL

bt=BREAK TANK, bp=BOOSTER PUMP, dvgw=DVGW, cr=COLD RINSE, ws=WATER SOFTNER, dd=DETERGENT DISPENSER, dp=DRAIN PUMP

A=3/N/PE~380-400V 50-60Hz, D=3/PE~200-210V 50-60Hz, F=2/PE~220-240V 50-60Hz, G=3/N/PE~415V 50-60Hz, H=3/PE~220-230V 50-60Hz, K=3/PE~380-400V 50-60Hz, L=3/PE~415V 50-60Hz, M=3/PE~440V 60Hz, P=1/N/PE~220-230V 50-60Hz, R=2/PE~220-240V 50-60Hz, U=1/N/PE~240V 50-60Hz, V=3/PE~240V 50-60Hz, W=1/N/PE~100-110V 50-60Hz

06_004ae



Spare parts

| ID | P-code | SN from | SN to | Mod. | Acces. | Volt | Description |
|--------------------------|---------|---------|-------|------|--------|------|---------------------------------------|
| Module:Break Tank | | | | | | | |
| 28500 | 15735 | | - | | bt | | Break tank assembly |
| 28505 | 10706/A | | - | | bt | | 47-27 pressure switch |
| 28510 | 15100/D | | - | | bt | | Booster pump 220/240V |
| 28515 | 15721 | | - | | bt | | BT long pipe L=1070 |
| 28515 | 15722 | | - | | bt | | BT middle pipe L=920 |
| 28515 | 15723 | | - | | bt | | BT small pipe L=920 |
| 28520 | 2907350 | | - | | bt | | 12x20 EPDM rubber hose |
| 28525 | 2907352 | | - | | bt | | PVC WRAS rubber hose |
| 28530 | 14508 | | - | | bt | | 4,5x9 EPDM rubber hose (minimum 2 mt) |

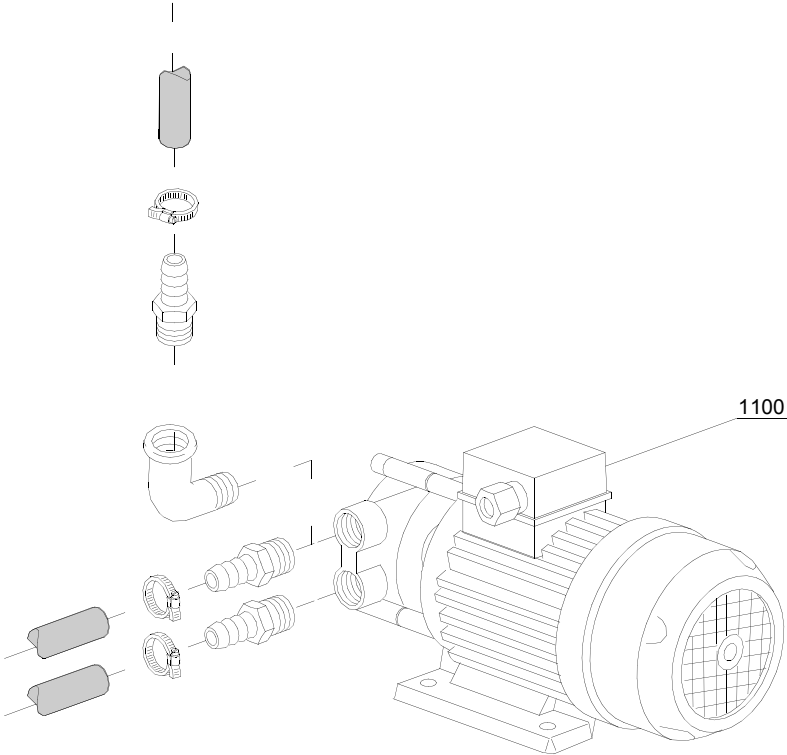
em=ELECTROMECHANICAL SWITCHES, lw=LOWER WASHING, uw=LOWER AND UPPER WASHING, i=INSULATED MODEL

LUX85EL=LUX 85EL

bt=BREAK TANK, bp=BOOSTER PUMP, dvgw=DVGW, cr=COLD RINSE, ws=WATER SOFTNER, dd=DETERGENT DISPENSER, dp=DRAIN PUMP

A=3/N/PE~380-400V 50-60Hz, D=3/PE~200-210V 50-60Hz, F=2/PE~220-240V 50-60Hz, G=3/N/PE~415V 50-60Hz, H=3/PE~220-230V 50-60Hz, K=3/PE~380-400V 50-60Hz, L=3/PE~415V 50-60Hz, M=3/PE~440V 60Hz, P=1/N/PE~220-230V 50-60Hz, R=2/PE~220-240V 50-60Hz, U=1/N/PE~240V 50-60Hz, V=3/PE~240V 50-60Hz, W=1/N/PE~100-110V 50-60Hz

07_002_e



Spare parts

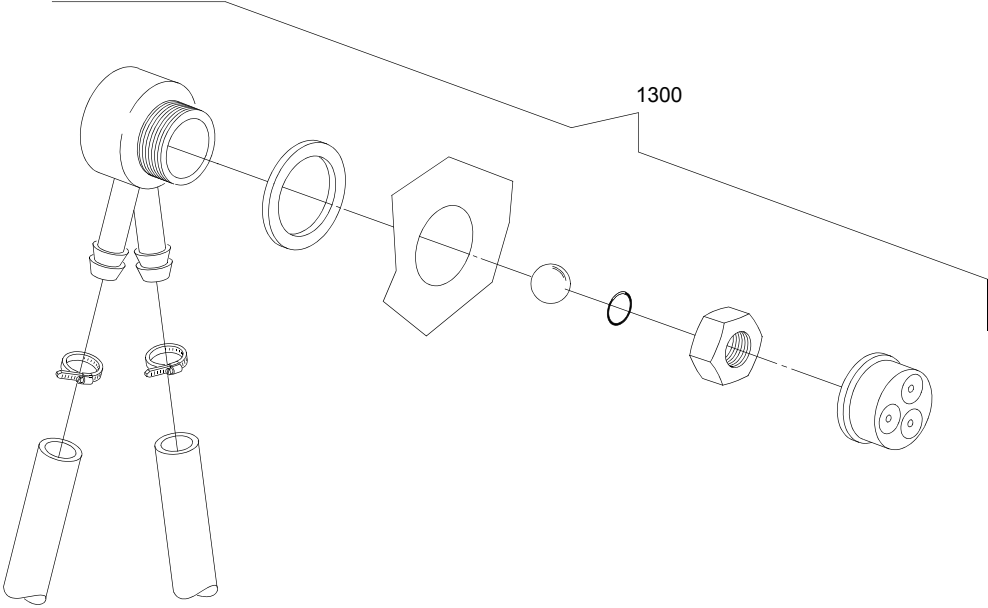
| ID | P-code | SN from | SN to | Mod. | Acces. | Volt | Description |
|----------------------------|--------|---------|-------|------|--------|------|-----------------------------|
| Module:Booster pump | | | | | | | |
| 1100 | 15100 | | - | | bp | | Booster pump 0,5HP 220/240V |

em=ELECTROMECHANICAL SWITCHES, lw=LOWER WASHING, uw=LOWER AND UPPER WASHING, i=INSULATED MODEL

LUX85EL=LUX 85EL

bt=BREAK TANK, bp=BOOSTER PUMP, dvgw=DVGW, cr=COLD RINSE, ws=WATER SOFTNER, dd=DETERGENT DISPENSER, dp=DRAIN PUMP

A=3/N/PE~380-400V 50-60Hz, D=3/PE~200-210V 50-60Hz, F=2/PE~220-240V 50-60Hz, G=3/N/PE~415V 50-60Hz, H=3/PE~220-230V 50-60Hz, K=3/PE~380-400V 50-60Hz, L=3/PE~415V 50-60Hz, M=3/PE~440V 60Hz, P=1/N/PE~220-230V 50-60Hz, R=2/PE~220-240V 50-60Hz, U=1/N/PE~240V 50-60Hz, V=3/PE~240V 50-60Hz, W=1/N/PE~100-110V 50-60Hz



08_005_e

Spare parts

| ID | P-code | SN from | SN to | Mod. | Acces. | Volt | Description |
|--------------------|-----------|---------|-------|------|--------|------|---------------|
| Module:DVGW | | | | | | | |
| 1300 | 999900006 | | - | | dvgw | | DVGW assembly |

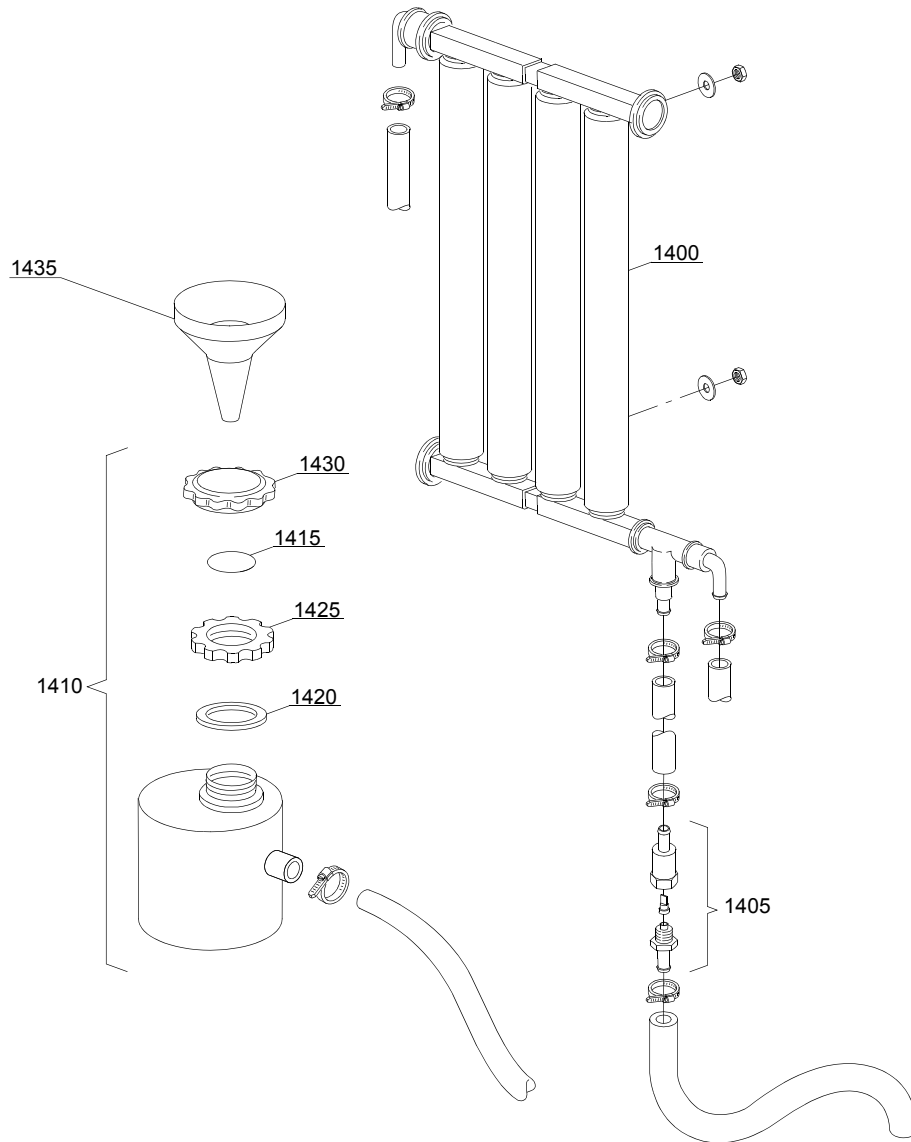
em=ELECTROMECHANICAL SWITCHES, lw=LOWER WASHING, uw=LOWER AND UPPER WASHING, i=INSULATED MODEL

LUX85EL=LUX 85EL

bt=BREAK TANK, bp=BOOSTER PUMP, dvgw=DVGW, cr=COLD RINSE, ws=WATER SOFTNER, dd=DETERGENT DISPENSER, dp=DRAIN PUMP

A=3/N/PE~380-400V 50-60Hz, D=3/PE~200-210V 50-60Hz, F=2/PE~220-240V 50-60Hz, G=3/N/PE~415V 50-60Hz, H=3/PE~220-230V 50-60Hz, K=3/PE~380-400V 50-60Hz, L=3/PE~415V 50-60Hz, M=3/PE~440V 60Hz, P=1/N/PE~220-230V 50-60Hz, R=2/PE~220-240V 50-60Hz, U=1/N/PE~240V 50-60Hz, V=3/PE~240V 50-60Hz, W=1/N/PE~100-110V 50-60Hz

09_001_e



Spare parts

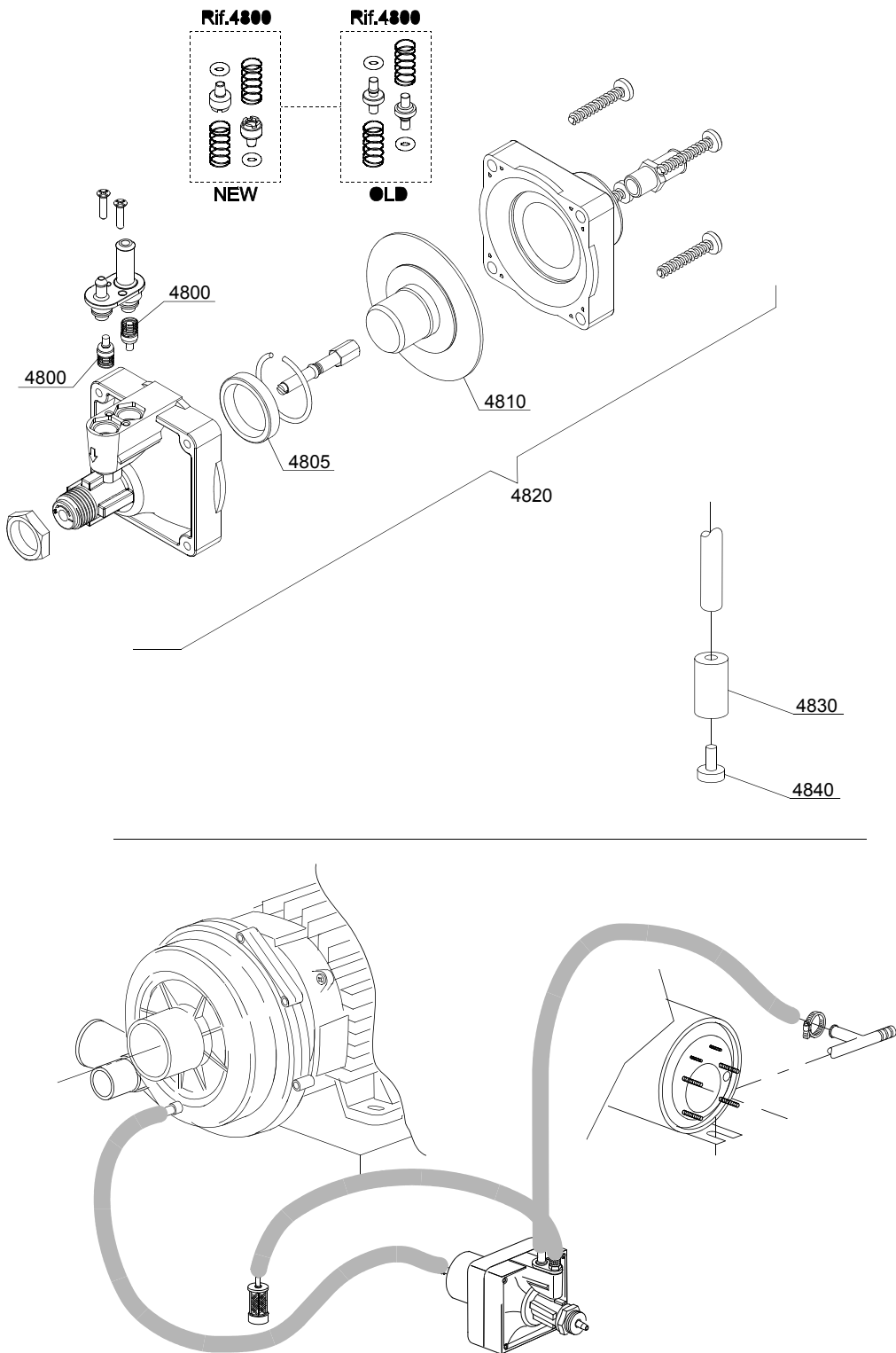
| ID | P-code | SN from | SN to | Mod. | Acces. | Volt | Description |
|------------------------------------|---------|---------|-------|------|--------|------|--------------------------|
| Module: Water softner group | | | | | | | |
| 1400 | 16066 | | - | | ws | | 4 elements water softner |
| 1405 | 16070 | | - | | ws | | Nonreturn valve |
| 1410 | 16065 | | - | | ws | | Salt container |
| 1415 | 16067/A | | - | | ws | | OR O-ring |
| 1420 | 16067/B | | - | | ws | | O-ring |
| 1425 | 16067/C | | - | | ws | | Ring nut |
| 1430 | 16067/D | | - | | ws | | Plug |
| 1435 | 16082 | | - | | ws | | Funnel |

em=ELECTROMECHANICAL SWITCHES, lw=LOWER WASHING, uw=LOWER AND UPPER WASHING, i=INSULATED MODEL

LUX85EL=LUX 85EL

bt=BREAK TANK, bp=BOOSTER PUMP, dvgw=DVGW, cr=COLD RINSE, ws=WATER SOFTNER, dd=DETERGENT DISPENSER, dp=DRAIN PUMP

A=3/N/PE~380-400V 50-60Hz, D=3/PE~200-210V 50-60Hz, F=2/PE~220-240V 50-60Hz, G=3/N/PE~415V 50-60Hz, H=3/PE~220-230V 50-60Hz, K=3/PE~380-400V 50-60Hz, L=3/PE~415V 50-60Hz, M=3/PE~440V 60Hz, P=1/N/PE~220-230V 50-60Hz, R=2/PE~220-240V 50-60Hz, U=1/N/PE~240V 50-60Hz, V=3/PE~240V 50-60Hz, W=1/N/PE~100-110V 50-60Hz



10_004ae

Spare parts

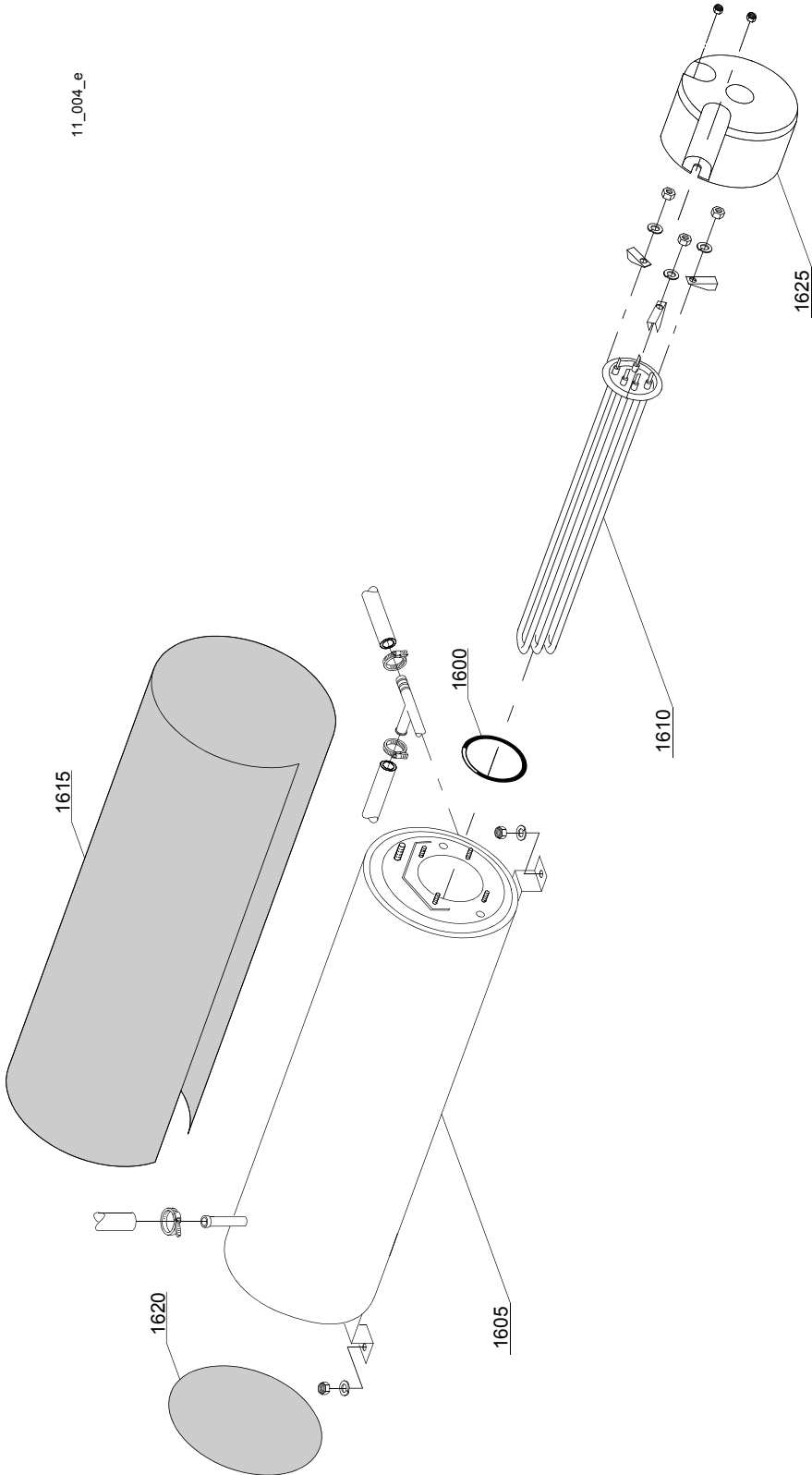
| ID | P-code | SN from | SN to | Mod. | Acces. | Volt | Description |
|--|--------|---------|-------|------|--------|------|---------------------------------|
| Module: Rinse aid dispenser group | | | | | | | |
| 4800 | 10805 | | - | | | | Tecnopro non return valve |
| 4805 | 10806 | | - | | | | Ø22 O-ring |
| 4810 | 10807 | | - | | | | Membrane |
| 4820 | 10799 | | - | | | | Rinse aid dispenser |
| 4830 | 12525 | | - | | | | Counter-weight |
| 4840 | 15058 | | - | | | | Small filter (minimum 3 pieces) |

em=ELECTROMECHANICAL SWITCHES, lw=LOWER WASHING, uw=LOWER AND UPPER WASHING, i=INSULATED MODEL

LUX85EL=LUX 85EL

bt=BREAK TANK, bp=BOOSTER PUMP, dvgw=DVGW, cr=COLD RINSE, ws=WATER SOFTNER, dd=DETERGENT DISPENSER, dp=DRAIN PUMP

A=3/N/PE~380-400V 50-60Hz, D=3/PE~200-210V 50-60Hz, F=2/PE~220-240V 50-60Hz, G=3/N/PE~415V 50-60Hz, H=3/PE~220-230V 50-60Hz, K=3/PE~380-400V 50-60Hz, L=3/PE~415V 50-60Hz, M=3/PE~440V 60Hz, P=1/N/PE~220-230V 50-60Hz, R=2/PE~220-240V 50-60Hz, U=1/N/PE~240V 50-60Hz, V=3/PE~240V 50-60Hz, W=1/N/PE~100-110V 50-60Hz



Spare parts

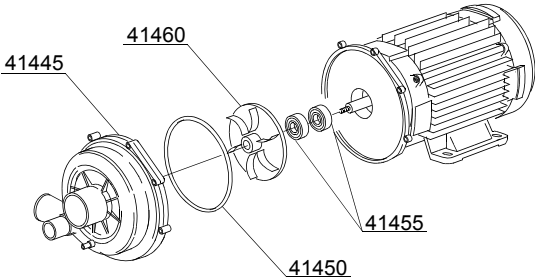
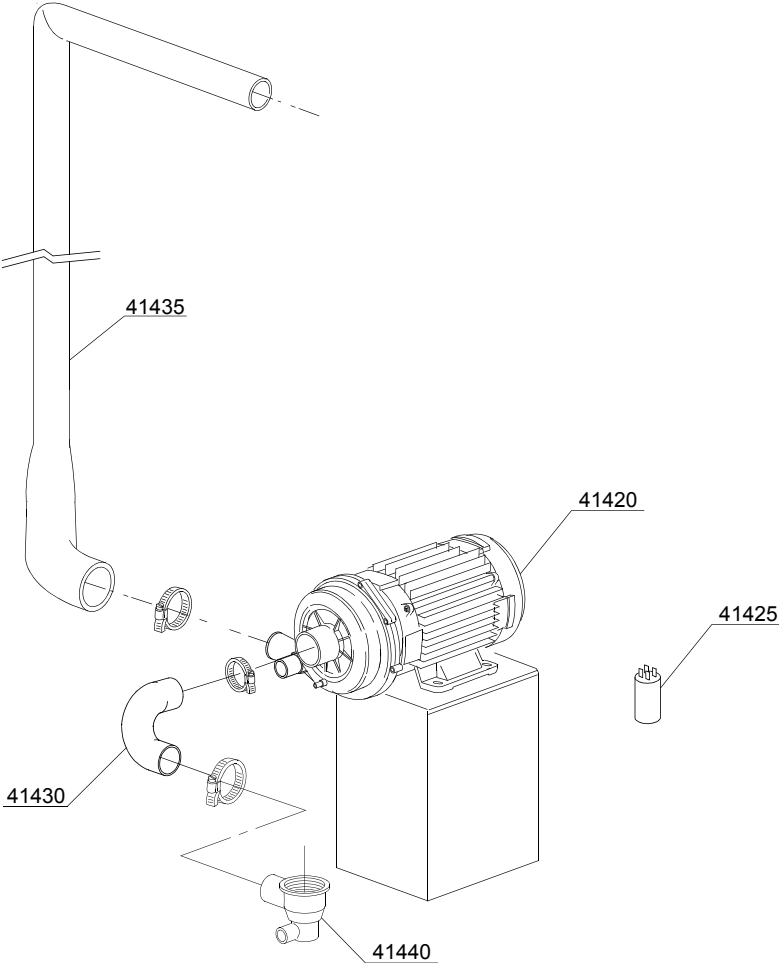
| ID | P-code | SN from | SN to | Mod. | Acces. | Volt | Description |
|----------------------------|----------|---------|-------|------|--------|------|---|
| Module:Boiler group | | | | | | | |
| 1600 | 13015 | | - | | | | 6225 OR 160 NBR O-ring (minimum 5 pieces) |
| 1605 | 22002 | | - | | | | Boiler |
| 1610 | 30001010 | | - | | | | 6/6,53KW 230/240V 3 heating element |
| 1610 | 30001011 | | - | | | | 9/9,8KW 230/240V 3 heating element |
| 1615 | 30002030 | | - | | | | Insulation boiler |
| 1620 | 75205 | | - | | | | Ø160 End piece (minimum 2 pieces) |
| 1625 | 75311 | | - | | | | Heating element cover |

em=ELECTROMECHANICAL SWITCHES, lw=LOWER WASHING, uw=LOWER AND UPPER WASHING, i=INSULATED MODEL

LUX85EL=LUX 85EL

bt=BREAK TANK, bp=BOOSTER PUMP, dvgw=DVGW, cr=COLD RINSE, ws=WATER SOFTNER, dd=DETERGENT DISPENSER, dp=DRAIN PUMP

A=3/N/PE~380-400V 50-60Hz, D=3/PE~200-210V 50-60Hz, F=2/PE~220-240V 50-60Hz, G=3/N/PE~415V 50-60Hz, H=3/PE~220-230V 50-60Hz, K=3/PE~380-400V 50-60Hz, L=3/PE~415V 50-60Hz, M=3/PE~440V 60Hz, P=1/N/PE~220-230V 50-60Hz, R=2/PE~220-240V 50-60Hz, U=1/N/PE~240V 50-60Hz, V=3/PE~240V 50-60Hz, W=1/N/PE~100-110V 50-60Hz



13_123_e

Spare parts

| ID | P-code | SN from | SN to | Mod. | Acces. | Volt | Description |
|--------------------------|---------|---------|-------|-------|--------|------|--------------------|
| Module: Wash pump | | | | | | | |
| 41420 | 22009 | | - | uw,lw | | A | 1,5 Hp wash pump |
| 41425 | 15081/A | | - | uw,lw | | H | 16 uF condenser |
| 41430 | 550227 | | - | uw,lw | | | Pump pipe coupling |
| 41435 | 550228 | | - | uw,lw | | | Top delivery pipe |
| 41440 | 500603 | | - | uw,lw | | | Scrap tray |
| 41445 | 15078 | | - | uw,lw | | | Scroll |
| 41450 | 15080/A | | - | uw,lw | | | O-ring |
| 41455 | 15080 | | - | uw,lw | | | Rotating seals |
| 41460 | 22009/A | | - | uw,lw | | | Pump rotor |

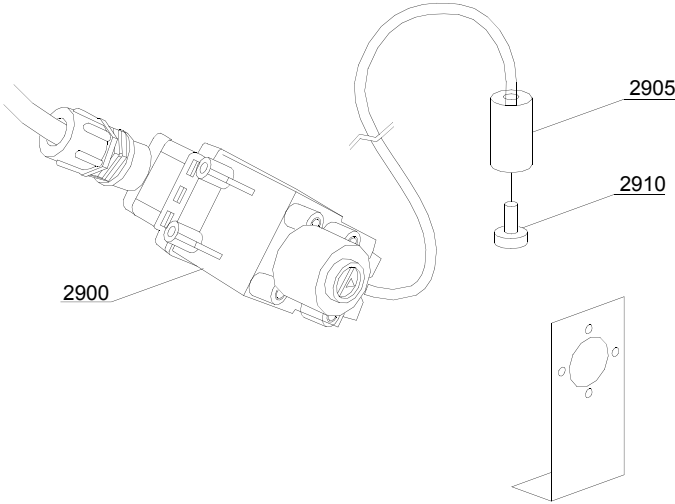
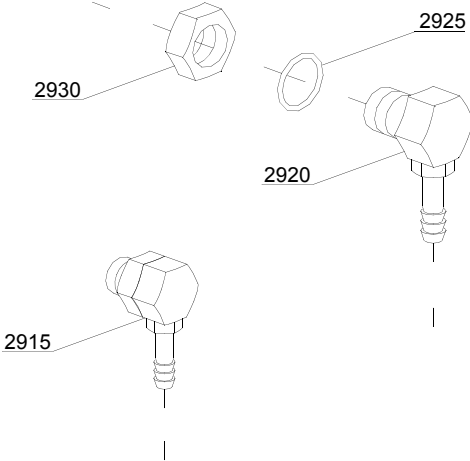
em=ELECTROMECHANICAL SWITCHES, lw=LOWER WASHING, uw=LOWER AND UPPER WASHING, i=INSULATED MODEL

LUX85EL=LUX 85EL

bt=BREAK TANK, bp=BOOSTER PUMP, dvgw=DVGW, cr=COLD RINSE, ws=WATER SOFTNER, dd=DETERGENT DISPENSER, dp=DRAIN PUMP

A=3/N/PE~380-400V 50-60Hz, D=3/PE~200-210V 50-60Hz, F=2/PE~220-240V 50-60Hz, G=3/N/PE~415V 50-60Hz, H=3/PE~220-230V 50-60Hz, K=3/PE~380-400V 50-60Hz, L=3/PE~415V 50-60Hz, M=3/PE~440V 60Hz, P=1/N/PE~220-230V 50-60Hz, R=2/PE~220-240V 50-60Hz, U=1/N/PE~240V 50-60Hz, V=3/PE~240V 50-60Hz, W=1/N/PE~100-110V 50-60Hz

14_002_e



Spare parts

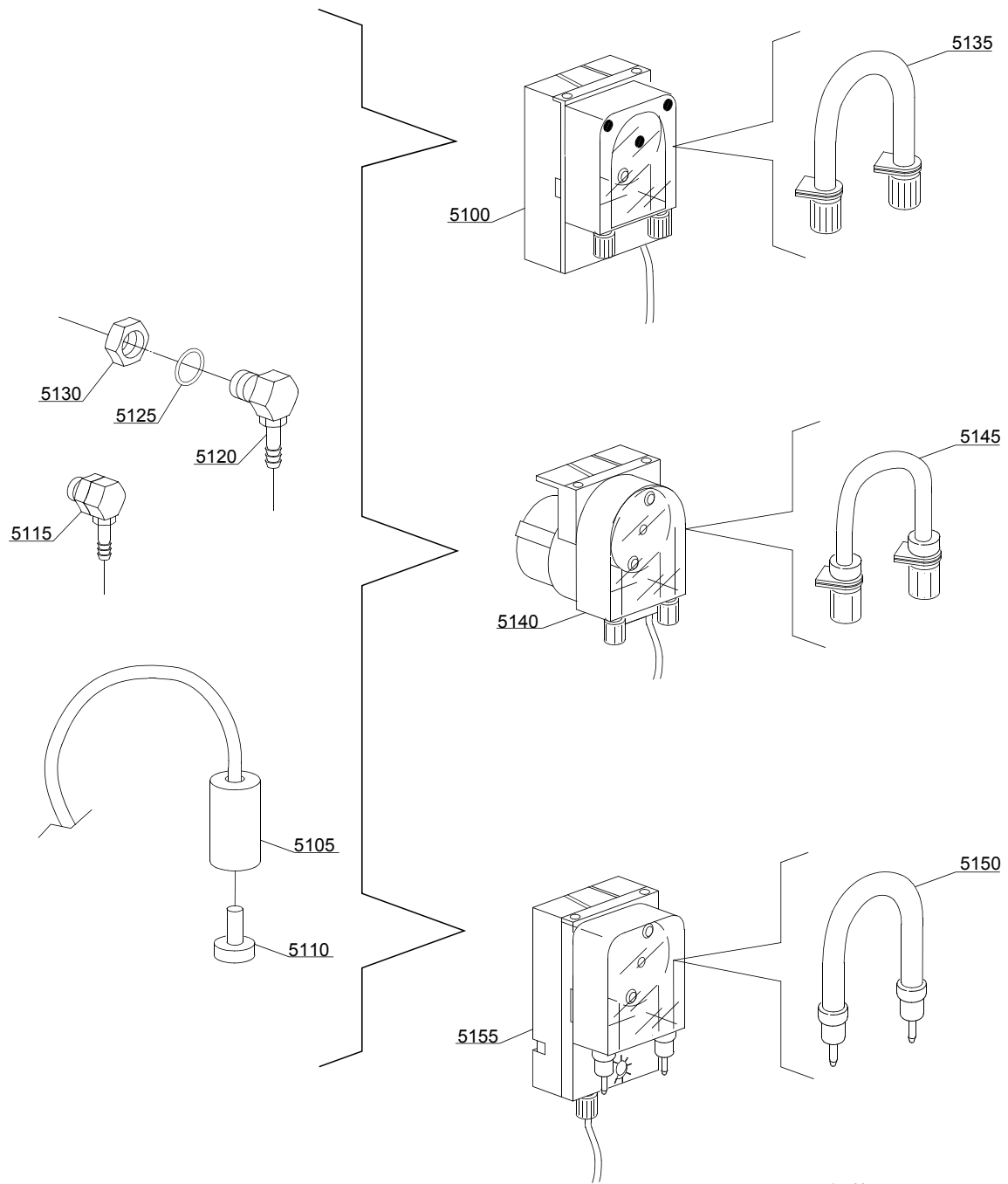
| ID | P-code | SN from | SN to | Mod. | Acces. | Volt | Description |
|--------------------------------------|----------|---------|-------|------|--------|------|--|
| Module:Dosing detergent group | | | | | | | |
| 2900 | 15108/L | | - | i,em | dd | | Lang detergent pump |
| 2905 | 12525 | | - | i,em | dd | | Counter-weight |
| 2910 | 15058 | | - | i,em | dd | | Small filter (minimum 3 pieces) |
| 2915 | 15123 | | - | i,em | dd | | Compleat plastic injector |
| 2920 | 15148 | | - | i,em | dd | | Steel injector |
| 2925 | 15159 | | - | i,em | dd | | OR O-ring (minimum 2 pieces) |
| 2930 | 10200205 | | - | i,em | dd | | M12x1 stainless steel nut (minimum 2 pieces) |

em=ELECTROMECHANICAL SWITCHES, lw=LOWER WASHING, uw=LOWER AND UPPER WASHING, i=INSULATED MODEL

LUX85EL=LUX 85EL

bt=BREAK TANK, bp=BOOSTER PUMP, dvgw=DVGW, cr=COLD RINSE, ws=WATER SOFTNER, dd=DETERGENT DISPENSER, dp=DRAIN PUMP

A=3/N/PE~380-400V 50-60Hz, D=3/PE~200-210V 50-60Hz, F=2/PE~220-240V 50-60Hz, G=3/N/PE~415V 50-60Hz, H=3/PE~220-230V 50-60Hz, K=3/PE~380-400V 50-60Hz, L=3/PE~415V 50-60Hz, M=3/PE~440V 60Hz, P=1/N/PE~220-230V 50-60Hz, R=2/PE~220-240V 50-60Hz, U=1/N/PE~240V 50-60Hz, V=3/PE~240V 50-60Hz, W=1/N/PE~100-110V 50-60Hz



14_004_e

Spare parts

| ID | P-code | SN from | SN to | Mod. | Acces. | Volt | Description |
|--------------------------------------|----------|---------|-------|------|--------|------|--|
| Module:Dosing detergent group | | | | | | | |
| 5100 | 15985 | | - | i,em | dd | | Seko detergent pump |
| 5105 | 12525 | | - | i,em | dd | | Counter-weight |
| 5110 | 15058 | | - | i,em | dd | | Small filter (minimum 3 pieces) |
| 5115 | 15123 | | - | i,em | dd | | Compleat plastic injector |
| 5120 | 15148 | | - | i,em | dd | | Steel injector |
| 5125 | 15159 | | - | i,em | dd | | OR O-ring (minimum 2 pieces) |
| 5130 | 10200205 | | - | i,em | dd | | M12x1 stainless steel nut (minimum 2 pieces) |
| 5135 | 15185 | | - | i,em | dd | | Seko thermoplastic pipe |
| 5140 | 15985 | | - | i,em | dd | | Germac detergent pump |
| 5145 | 15108/E | | - | i,em | dd | | Germac thermoplastic pipe |
| 5150 | 15985/A | | | i,em | dd | | Plas Cont thermoplastic pipe |
| 5155 | 15985 | | | i,em | dd | | Plas Cont detergent pump |

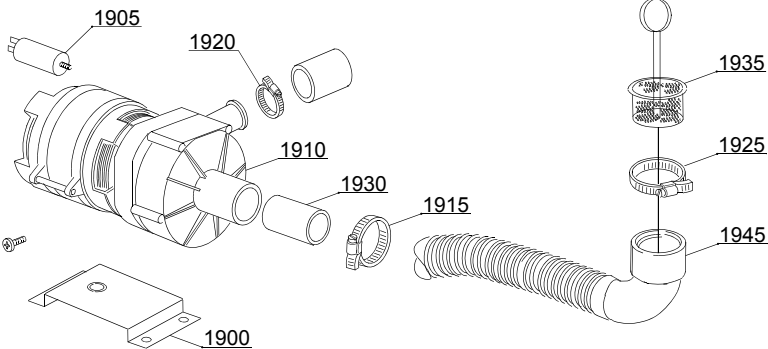
em=ELECTROMECHANICAL SWITCHES, lw=LOWER WASHING, uw=LOWER AND UPPER WASHING, i=INSULATED MODEL

LUX85EL=LUX 85EL

bt=BREAK TANK, bp=BOOSTER PUMP, dvgw=DVGW, cr=COLD RINSE, ws=WATER SOFTNER, dd=DETERGENT DISPENSER, dp=DRAIN PUMP

A=3/N/PE~380-400V 50-60Hz, D=3/PE~200-210V 50-60Hz, F=2/PE~220-240V 50-60Hz, G=3/N/PE~415V 50-60Hz, H=3/PE~220-230V 50-60Hz, K=3/PE~380-400V 50-60Hz, L=3/PE~415V 50-60Hz, M=3/PE~440V 60Hz, P=1/N/PE~220-230V 50-60Hz, R=2/PE~220-240V 50-60Hz, U=1/N/PE~240V 50-60Hz, V=3/PE~240V 50-60Hz, W=1/N/PE~100-110V 50-60Hz

15_003_e



Spare parts

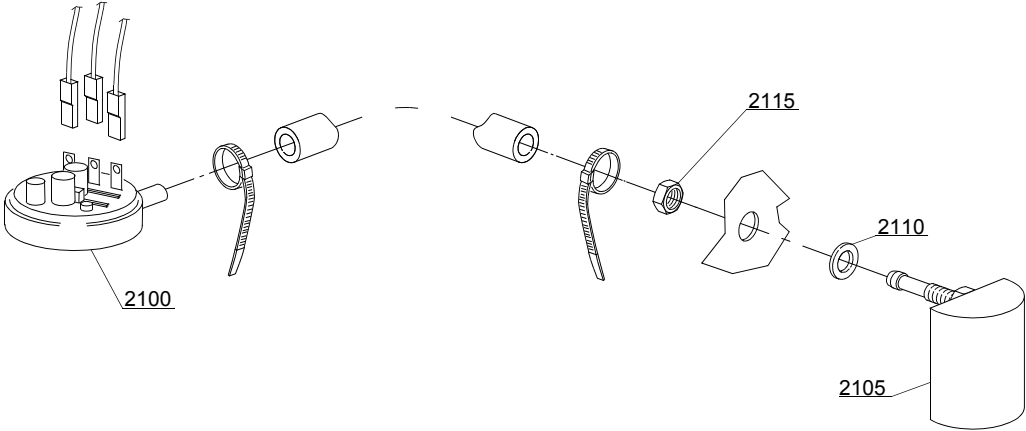
| ID | P-code | SN from | SN to | Mod. | Acces. | Volt | Description |
|---------------------------------|---------|---------|-------|------|--------|------|----------------------------------|
| Module: Drain pump group | | | | | | | |
| 1900 | 440122 | | - | | dp | | Pump support |
| 1905 | 10702 | | - | | dp | | 5 uF condenser |
| 1910 | 10501/A | | - | | dp | | 190W 230V drain pump |
| 1915 | 11806 | | - | | dp | | 25/40 clamp (minimum 2 pieces) |
| 1920 | 11836 | | - | | dp | | 20/32 clamp (minimum 3 pieces) |
| 1925 | 11809 | | - | | dp | | 30/45 clamp (minimum 2 pieces) |
| 1930 | 18044 | | - | | dp | | Ø28 top wash pipe |
| 1945 | 18767 | | - | | dp | | Drain coude/pump connection pipe |

em=ELECTROMECHANICAL SWITCHES, lw=LOWER WASHING, uw=LOWER AND UPPER WASHING, i=INSULATED MODEL

LUX85EL=LUX 85EL

bt=BREAK TANK, bp=BOOSTER PUMP, dvgw=DVGW, cr=COLD RINSE, ws=WATER SOFTNER, dd=DETERGENT DISPENSER, dp=DRAIN PUMP

A=3/N/PE~380-400V 50-60Hz, D=3/PE~200-210V 50-60Hz, F=2/PE~220-240V 50-60Hz, G=3/N/PE~415V 50-60Hz, H=3/PE~220-230V 50-60Hz, K=3/PE~380-400V 50-60Hz, L=3/PE~415V 50-60Hz, M=3/PE~440V 60Hz, P=1/N/PE~220-230V 50-60Hz, R=2/PE~220-240V 50-60Hz, U=1/N/PE~240V 50-60Hz, V=3/PE~240V 50-60Hz, W=1/N/PE~100-110V 50-60Hz



16_001_e

Spare parts

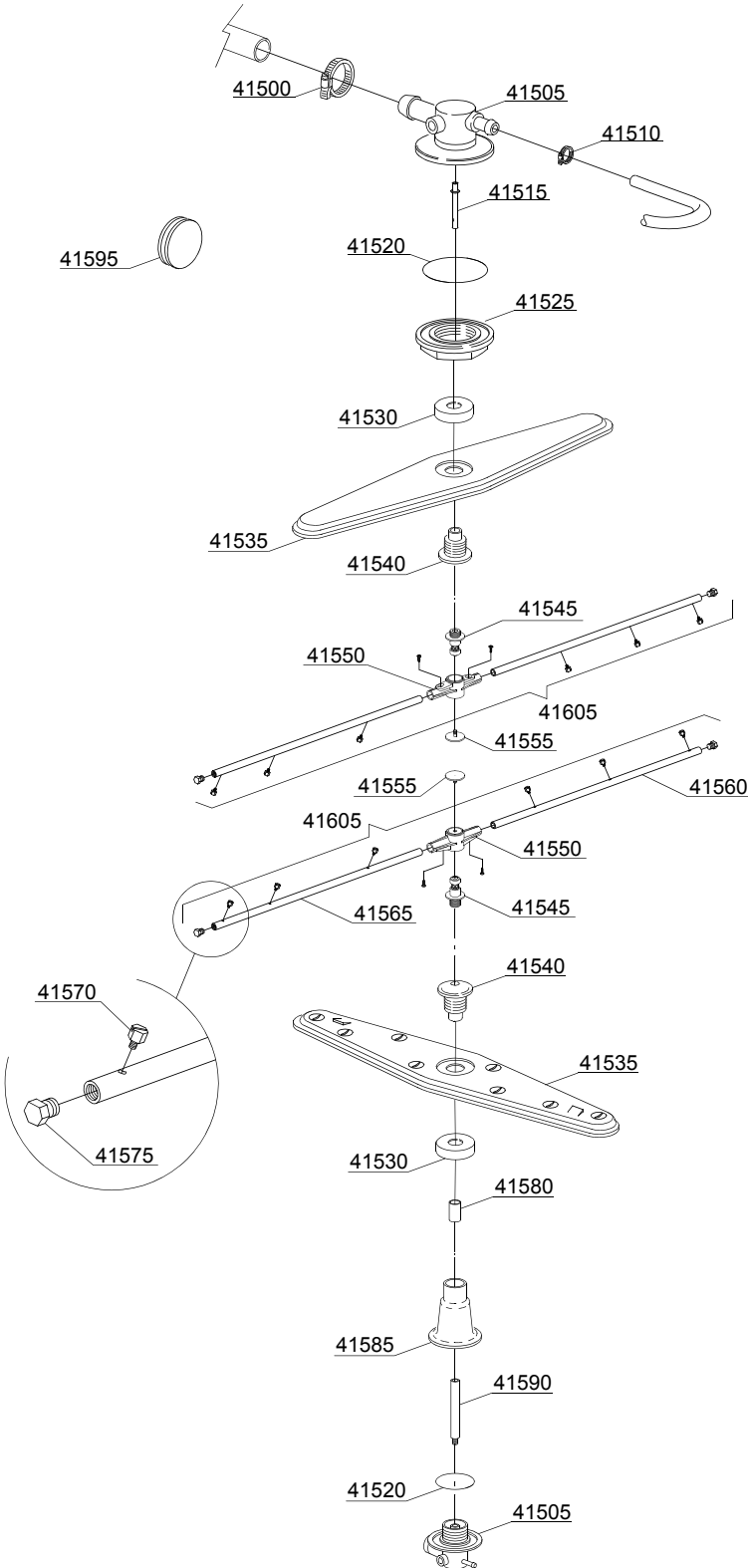
| ID | P-code | SN from | SN to | Mod. | Acces. | Volt | Description |
|---|----------|---------|-------|------|--------|------|--|
| Module:Pressure switch group with air trap | | | | | | | |
| 2100 | 10300026 | | - | i,em | | | 76-38 pressure switch |
| 2105 | 135911/C | 4020618 | - | em,i | | | Grey air trap assembly |
| 2110 | 13301 | | - | i,em | | | O-ring (minimum 10 pieces) |
| 2115 | 11702 | | - | i,em | | | M8 stainless steel nut (minimum 10 pieces) |

em=ELECTROMECHANICAL SWITCHES, lw=LOWER WASHING, uw=LOWER AND UPPER WASHING, i=INSULATED MODEL

LUX85EL=LUX 85EL

bt=BREAK TANK, bp=BOOSTER PUMP, dvgw=DVGW, cr=COLD RINSE, ws=WATER SOFTNER, dd=DETERGENT DISPENSER, dp=DRAIN PUMP

A=3/N/PE~380-400V 50-60Hz, D=3/PE~200-210V 50-60Hz, F=2/PE~220-240V 50-60Hz, G=3/N/PE~415V 50-60Hz, H=3/PE~220-230V 50-60Hz, K=3/PE~380-400V 50-60Hz, L=3/PE~415V 50-60Hz, M=3/PE~440V 60Hz, P=1/N/PE~220-230V 50-60Hz, R=2/PE~220-240V 50-60Hz, U=1/N/PE~240V 50-60Hz, V=3/PE~240V 50-60Hz, W=1/N/PE~100-110V 50-60Hz



17_127_e

Spare parts

| ID | P-code | SN from | SN to | Mod. | Acces. | Volt | Description |
|---|---------|---------|-------|------|--------|------|---|
| Module:Turret group with rotating arms | | | | | | | |
| 41500 | 11806 | | - | uw | | | 25/40 clamp (minimum 2 pieces) |
| 41505 | 500612 | | - | uw | | | Top/lower turret |
| 41510 | 11807 | | - | uw | | | 12/22 clamp (minimum 3 pieces) |
| 41515 | 75315 | | - | uw | | | Rinse axle extension |
| 41520 | 13015 | | - | uw | | | 6225 OR 160 NBR O-ring (minimum 5 pieces) |
| 41525 | 500623 | | - | uw | | | Ring nut for fixing turret |
| 41530 | 75317 | | - | uw | | | Nut for wash arm bearing |
| 41535 | 75915 | | - | uw | | | Stainless steel wash rotor |
| 41540 | 75316 | | - | uw | | | Hub for rotor |
| 41545 | 10651 | | - | uw | | | Rinse axle |
| 41550 | 10650 | | - | uw | | | Rinse arm |
| 41555 | 10652 | | - | uw | | | Rinse arm screw |
| 41560 | 10657 | | - | uw | | | Right rinse arm - stainless steel nozzle |
| 41565 | 10658 | | - | uw | | | Left rinse arm - stainless steel nozzle |
| 41570 | 560018 | | - | uw | | | Stainless steel rinse nozzle |
| 41575 | 560017 | | - | uw | | | Rinse arm plug |
| 41580 | 550220 | | - | uw | | | Hub rotor/pipe coupling spacer |
| 41585 | 550223 | | - | uw | | | Lower pipe coupling |
| 41590 | 550219 | | - | uw | | | Rinse lower distributor connection axle |
| 41595 | 13316/A | | - | uw | | | DVGW hole O-ring |
| 41605 | 75918 | | - | uw | | | Top/lower rinse arm complete |

em=ELECTROMECHANICAL SWITCHES, lw=LOWER WASHING, uw=LOWER AND UPPER WASHING, i=INSULATED MODEL

LUX85EL=LUX 85EL

bt=BREAK TANK, bp=BOOSTER PUMP, dvgw=DVGW, cr=COLD RINSE, ws=WATER SOFTNER, dd=DETERGENT DISPENSER, dp=DRAIN PUMP

A=3/N/PE~380-400V 50-60Hz, D=3/PE~200-210V 50-60Hz, F=2/PE~220-240V 50-60Hz, G=3/N/PE~415V 50-60Hz, H=3/PE~220-230V 50-60Hz, K=3/PE~380-400V 50-60Hz, L=3/PE~415V 50-60Hz, M=3/PE~440V 60Hz, P=1/N/PE~220-230V 50-60Hz, R=2/PE~220-240V 50-60Hz, U=1/N/PE~240V 50-60Hz, V=3/PE~240V 50-60Hz, W=1/N/PE~100-110V 50-60Hz