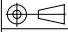
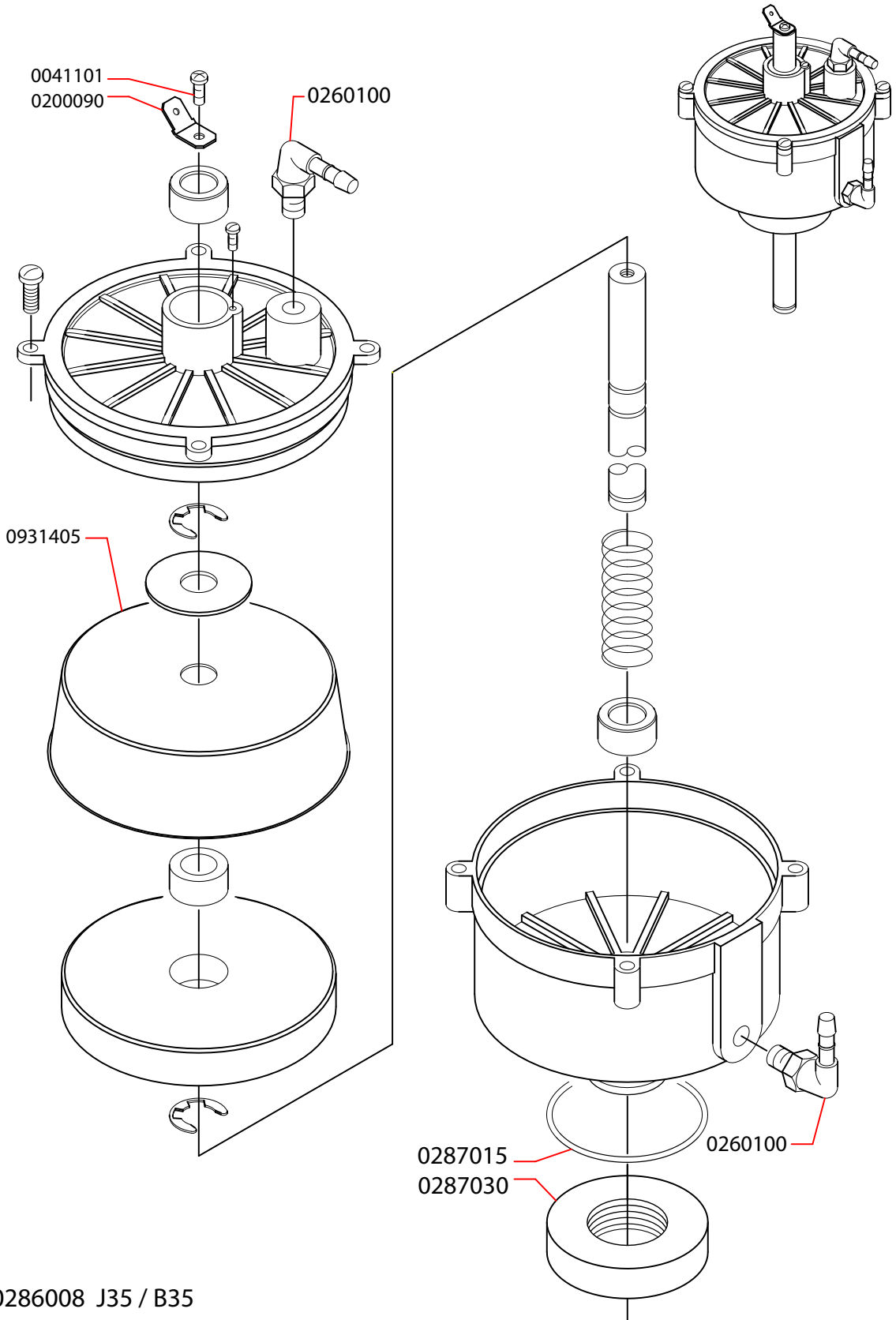


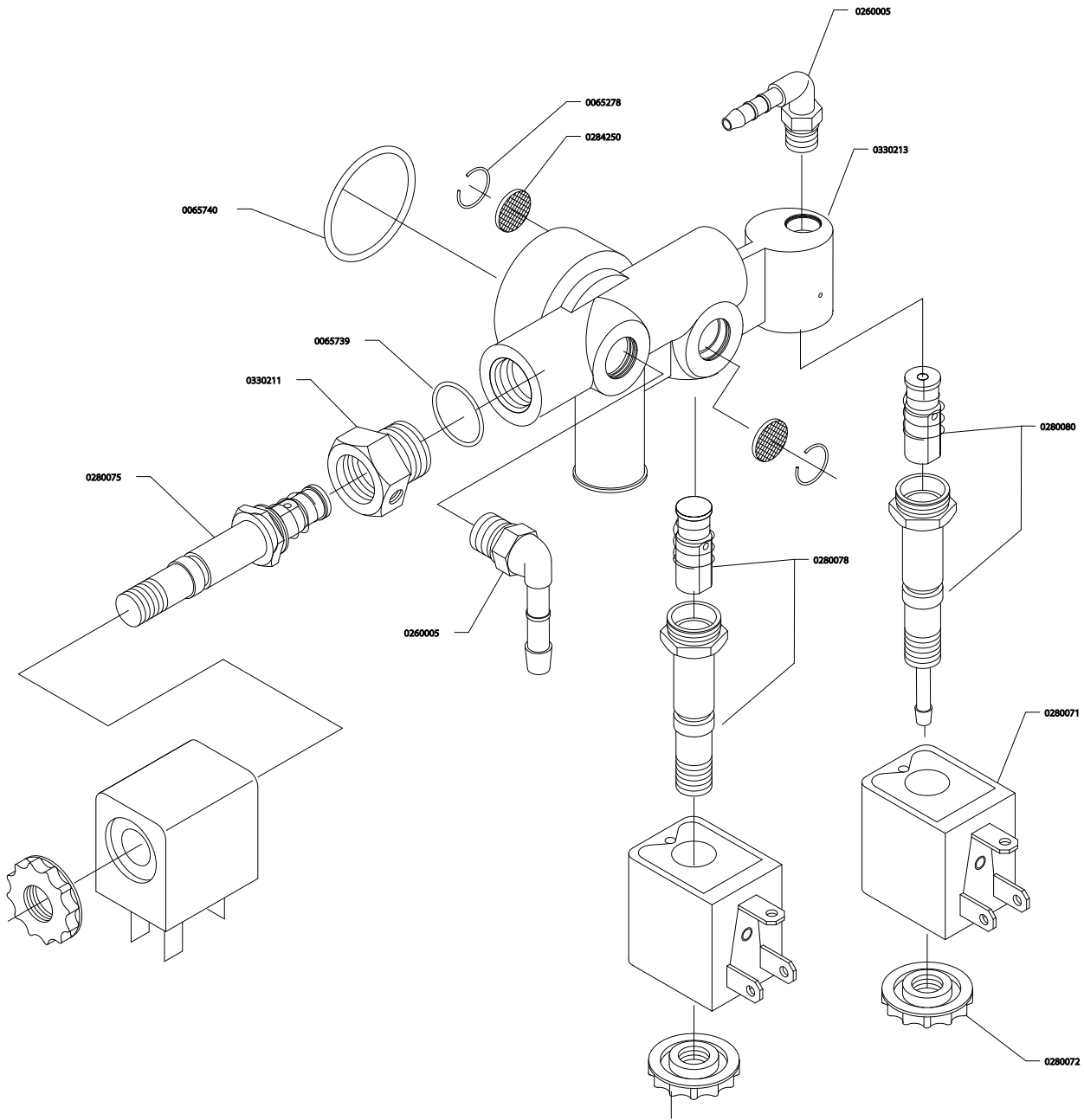
Scale:	Name:	Exploded View	
Date: Dec 2004	Seal bar Boxer Series		
Drawn by: MD	A 4 Drawing: Page 1-1		
	HENKELMAN B.V.		
	P.O. box 2117		
	5202 CC s-Hertogenbosch		
	Tel. ++31(0)73 - 6213671		
Fax ++31(0)73 - 6221318		REV. 01	<small>Ownership explicitly reserved. Multiplication or information to third parties in any form is not permitted without written permission of the owner.</small>
The Netherlands			



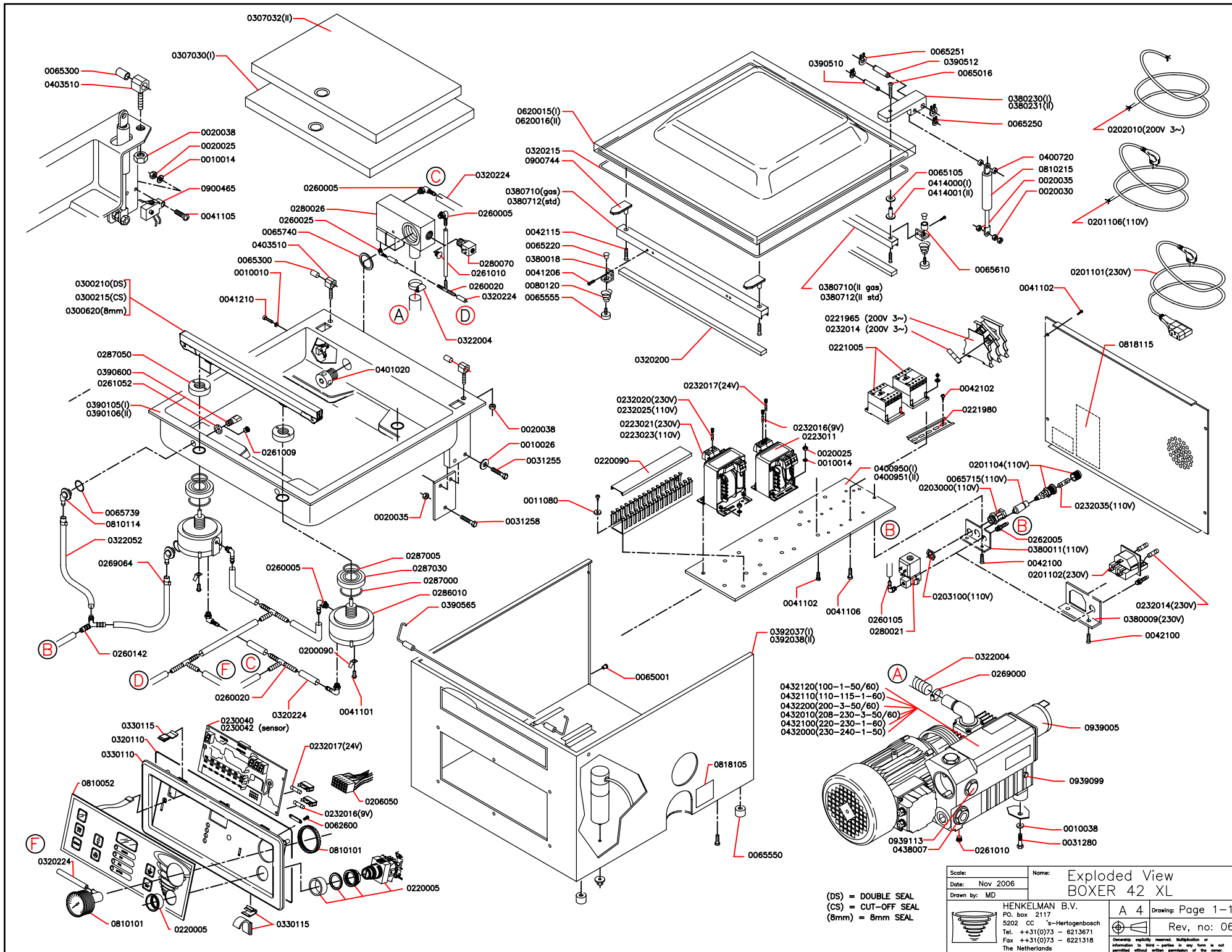
0286008 J35 / B35

0286010 J42 / B42 XL  
M42 XL  
M90

Scale:	Name: Exploded View
Date: April 2004	Seal cilinder Boxer 42
Drawn by: MD	
HENKELMAN B.V. PO. box 2117 5202 CC 's-Hertogenbosch Tel. ++31(0)73 - 6213671 Fax ++31(0)73 - 6213118 The Netherlands	
A 4	Drawing: Page 1-1
Rev.01	
<small>Copyright, explicitly reserved. Reproduction or distribution in third parties is not permitted without written permission of the owner.</small>	







(DS) = DOUBLE SEAL  
 (CS) = CUT-OFF SEAL  
 (8mm) = 8mm SEAL

Scale:	Name:
Date: Nov 2006	Exploded View BOXER 42 XL
Drawn by: MD	
HENKELMAN B.V. P.O. box 2117 5202 CC 's-Hertogenbosch Tel. ++31(0)73 - 6213671 Fax ++31(0)73 - 6221318 The Netherlands	
A 4	Drawing: Page 1-1 Rev. no: 06
Ownership, usability, internet, duplication or information to third parties in any form is not permitted without written permission of the owner.	