



G 250

LIST OF THE EXPLODED VIEWS



SHELL ASSY

COOLING SYSTEM

EVAPORATOR

HYDRAULIC CIRCUIT

ELECTRIC PARTS

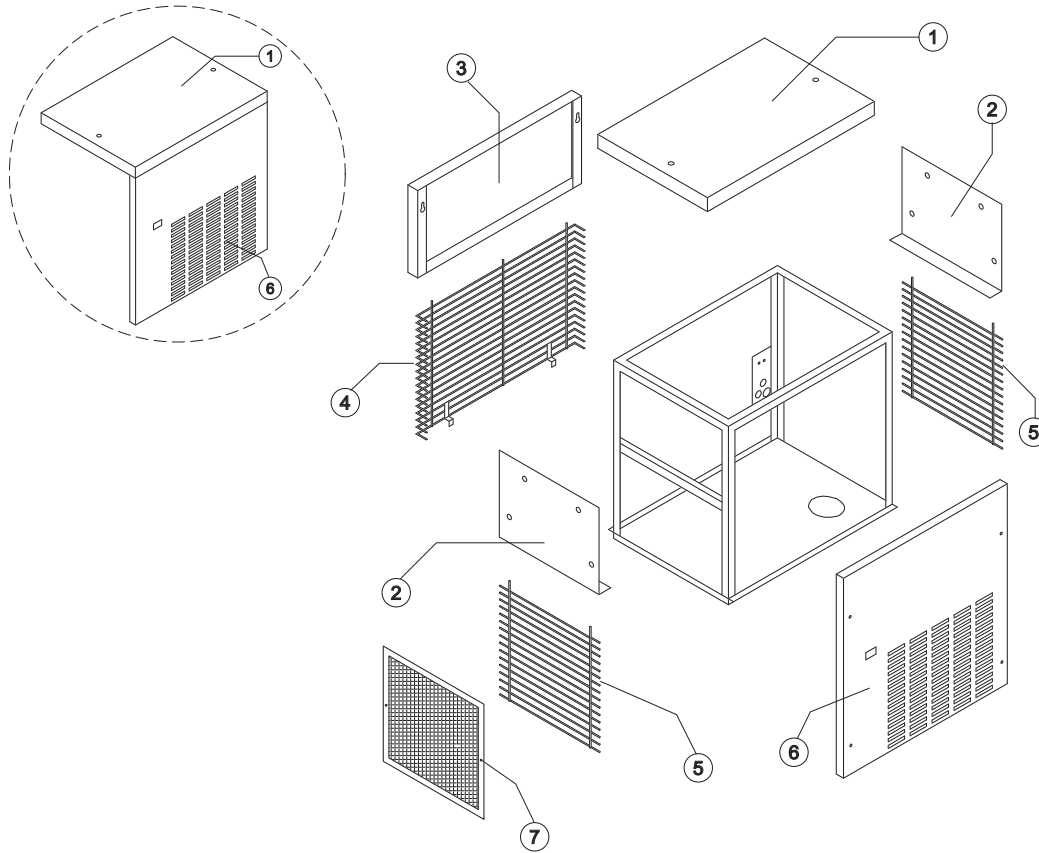
Rev. 8 - 01/04/2009



G 250

SHELL ASSY

Till s/n. 449326



Common Parts

| Ref. | Spare Description | Code | |
|------|-----------------------|------------------|----------|
| 1 | Top | Current Version | 221122 |
| 1 | Top | Till s/n. 449326 | 22667 |
| 2 | Right/Left Side Panel | | 22663 |
| 3 | Rear Panel | | 22665 |
| 4 | Rear Grid | | D12060 |
| 5 | Lateral Grid | | D12061 |
| 6 | Front Panel Assembly | Current Version | C221138B |
| 6 | Front Panel Assembly | Till s/n. 449326 | C22662B |

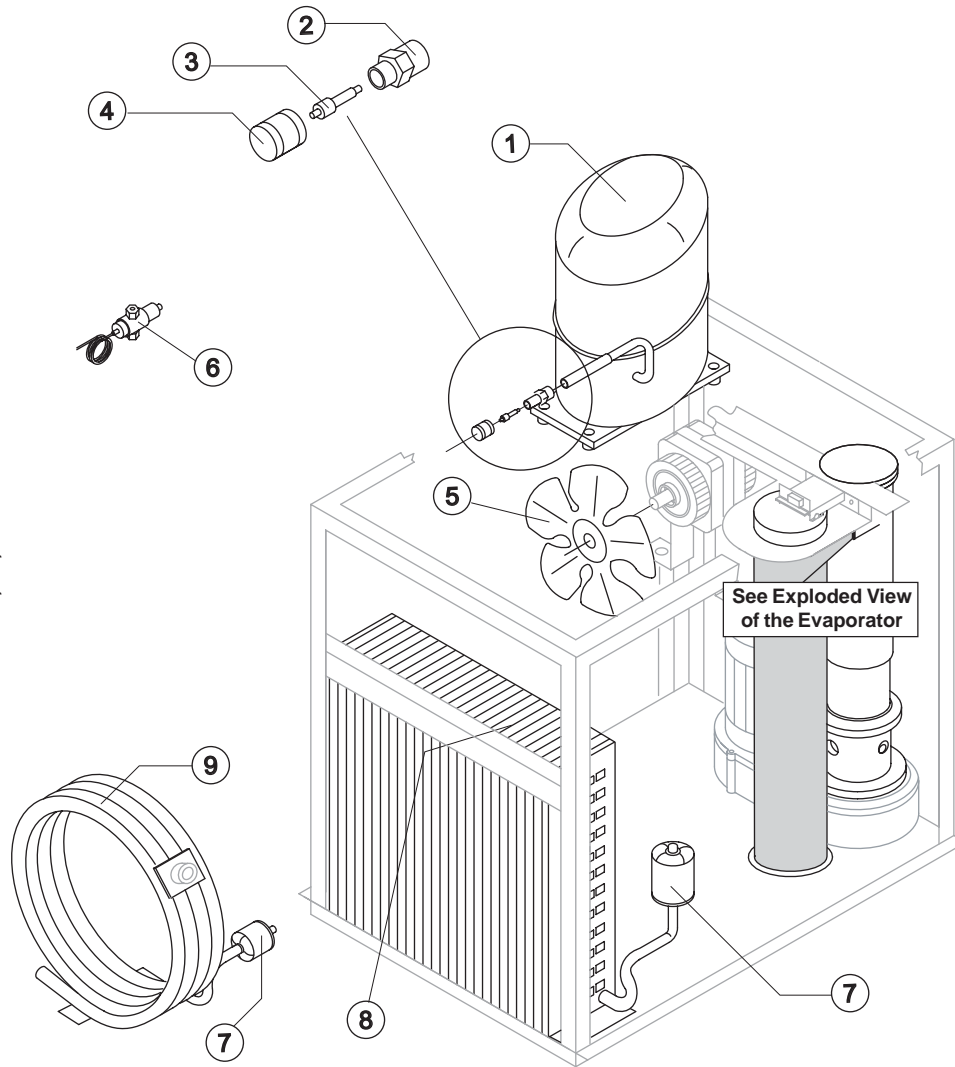
Parts for Air-Cooled Version Only

| Ref. | Spare Description | Code |
|------|-------------------|-------|
| 7 | Filter | 18163 |



G 250

COOLING SYSTEM



Common Parts

| Ref. | Spare Description | Code |
|------|----------------------------|-----------|
| 1 | Compressor | See Table |
| 2 | Vacuum-Charge Valve Body | 14007 |
| 3 | Vacuum-Charge Valve Device | 14005 |
| 4 | Vacuum-Charge Valve Plug | 14006 |
| 7 | Solid Core Drier | 14089 |

Parts for Air-Cooled Version Only

| Ref. | Spare Description | Code |
|------|-------------------|------------------|
| 5 | Sucking Fan | 20407 |
| 8 | Air Condenser | Current Version |
| 8 | Air Condenser | Till s/n. 438969 |

Parts for Water-Cooled Version Only

| Ref. | Spare Description | Code |
|------|--------------------|-------|
| 5 | Sucking Fan | 10213 |
| 6 | Pressostatic Valve | 20210 |
| 9 | Water Condenser | 14034 |

Ref. 1 - Compressor

| Tension | Code | Note |
|---------|-------|------------------|
| T11 | 23454 | Current Version |
| T11 | 23570 | Till s/n. 268630 |
| T12 | 23573 | |
| T18 | 23573 | |

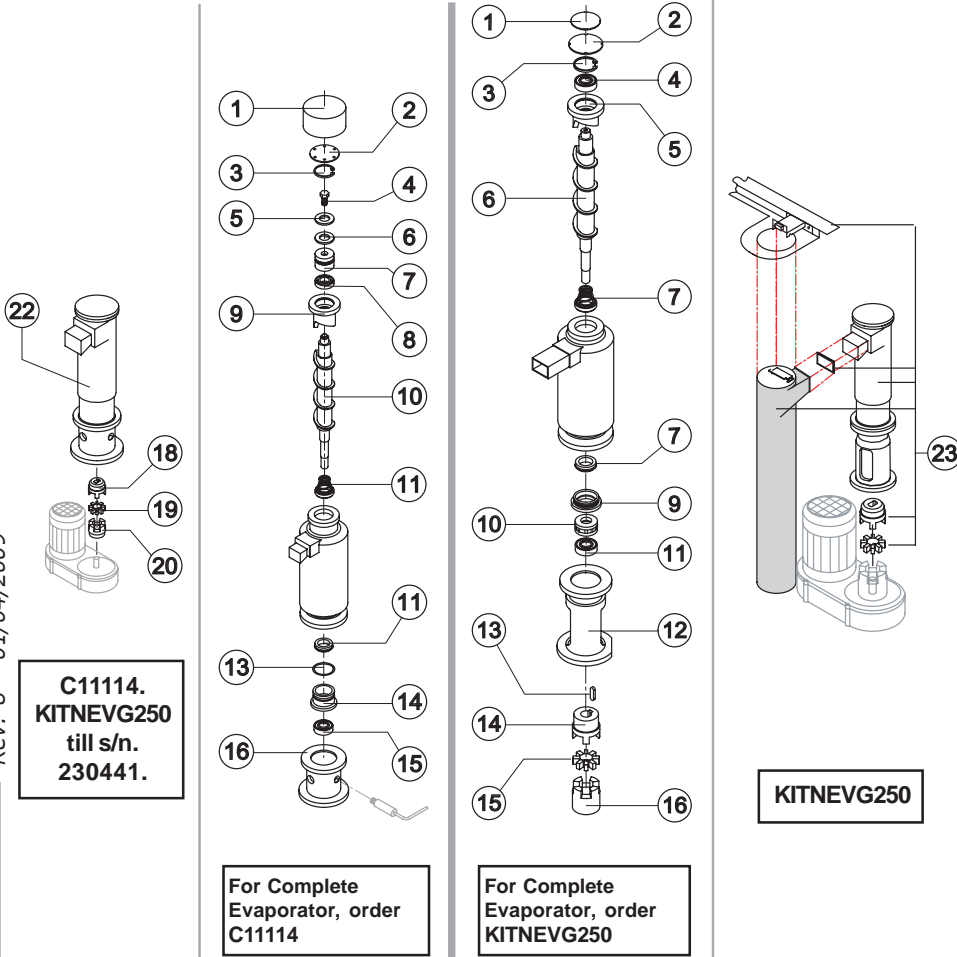


G 250

EVAPORATOR

Current Version

Till s/n.162639



| Ref. | Spare Description (Current Version) | Code |
|------|-------------------------------------|---------------------------------------|
| 1 | Insulating Cap | 18167 |
| 2 | Closing Disk | 22649 |
| 3 | Seeger | 20116 |
| 4 | Stainless Steel Screw | 20664 |
| 5 | Shimming Disk | 22829 |
| 6 | Self-Lubricating Disk | 20639 |
| 7 | Stainless Steel Thrust Bearing | Current Version 20685 |
| 7 | Stainless Steel Thrust Bearing | Till s/n. 207806 20648 |
| 8 | OR Gasket 4137 | Current Version 20689 |
| 8 | Seal Ring | From s/n. 192797 To s/n. 207806 20682 |
| 8 | Seal Ring | Till s/n. 192797 20656 |
| 9 | Ice Breaker | Current Version 20683 |
| 9 | Ice Breaker | Till s/n. 192797 C20657 |
| 10 | Auger | Current Version 20684 |
| 10 | Auger with Screw | Till s/n. 192797 C20658 |
| 11 | Ceramic Seal | 20633 |
| 13 | OR Gasket 3218 NBR | 20655 |
| 14 | Reduction Ring | 20659 |
| 15 | Stainless Steel Bearing | 20112 |
| 16 | Flange | 20644 |
| 18 | Semi-Joint Upper | D20654 |
| 19 | Vibration-Damping Elastomer | 20494 |
| 20 | Semi-Joint Lower | D20493 |
| 22 | Evaporator Assy | Current Version C11114 |
| 22 | Evaporator Assy | Till s/n. 230441 KITNEVG250 |

| Ref. | Spare Description (Till s/n.162639) | Code |
|------|-------------------------------------|------------------------|
| 1 | Insulating Sponge | 18125 |
| 2 | Closing Disk | 22649 |
| 3 | Seeger | 20115 |
| 4 | Stainless Steel Bearing | 20112 |
| 5 | Ice Breaker | 20484 |
| 6 | Auger | 20515 |
| 7 | Ceramic Seal | 20110 |
| 9 | Ring for Ceramic Seal | 20485 |
| 10 | Stainless Steel Thrust Bearing | 20111 |
| 11 | Stainless Steel Bearing | 20113 |
| 12 | Flange | 20482 |
| 13 | Key | 20431 |
| 14 | Semi-Joint Upper | D20517 |
| 14 | Semi-Joint Upper | Till s/n. 81177 D20493 |
| 15 | Vibration-Damping Elastomer | 20494 |
| 16 | Semi-Joint Lower | D20493 |
| 23 | Evaporator Assy | ex C11105 KITNEVG250 |

Rev. 8 - 01/04/2009

C11114.
KITNEVG250
till s/n.
230441.

For Complete
Evaporator, order
C11114

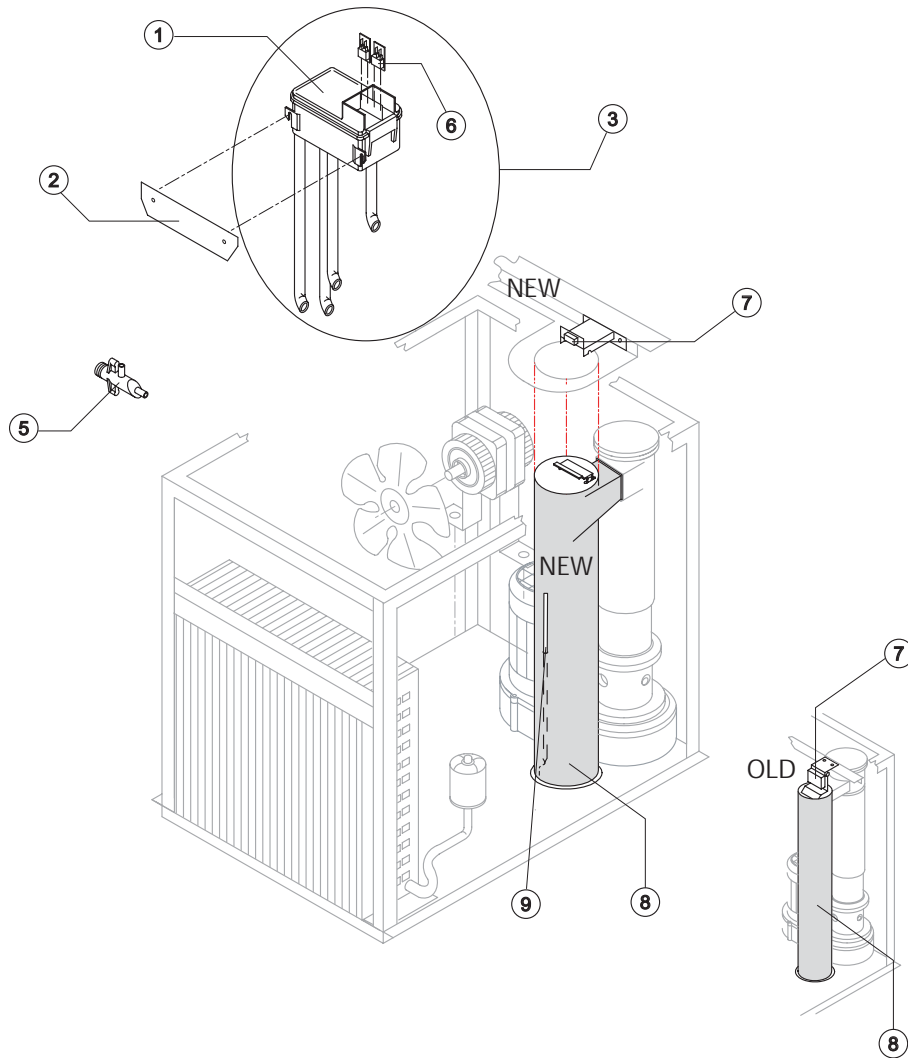
For Complete
Evaporator, order
KITNEVG250

KITNEVG250



G 250

HYDRAULIC CIRCUIT



Common Parts

| Ref. | Spare Description | Code |
|------|-------------------------------|-------------------------|
| 1 | Double Switch Basin | 10145 |
| 2 | Basin Support Plate | 21133 |
| 3 | Double Switch Basin Assembly | C10201 |
| 6 | Microswitch | 23055 |
| 7 | Bin Level Control Microswitch | Current Version 23196 |
| 7 | Bin Level Control Switch | Till s/n. 230441 C22099 |
| 8 | Ice Outlet Pipe Assy | Current Version C10459 |
| 8 | Ice Outlet Pipe Assy | Till s/n. 230441 C13114 |
| 9 | Bin bulb holder | 20621 |

Parts for Air-Cooled Version Only

| Ref. | Spare Description | Code |
|------|---------------------|--------|
| 5 | Discharges Manifold | C10052 |

Parts for Water-Cooled Version Only

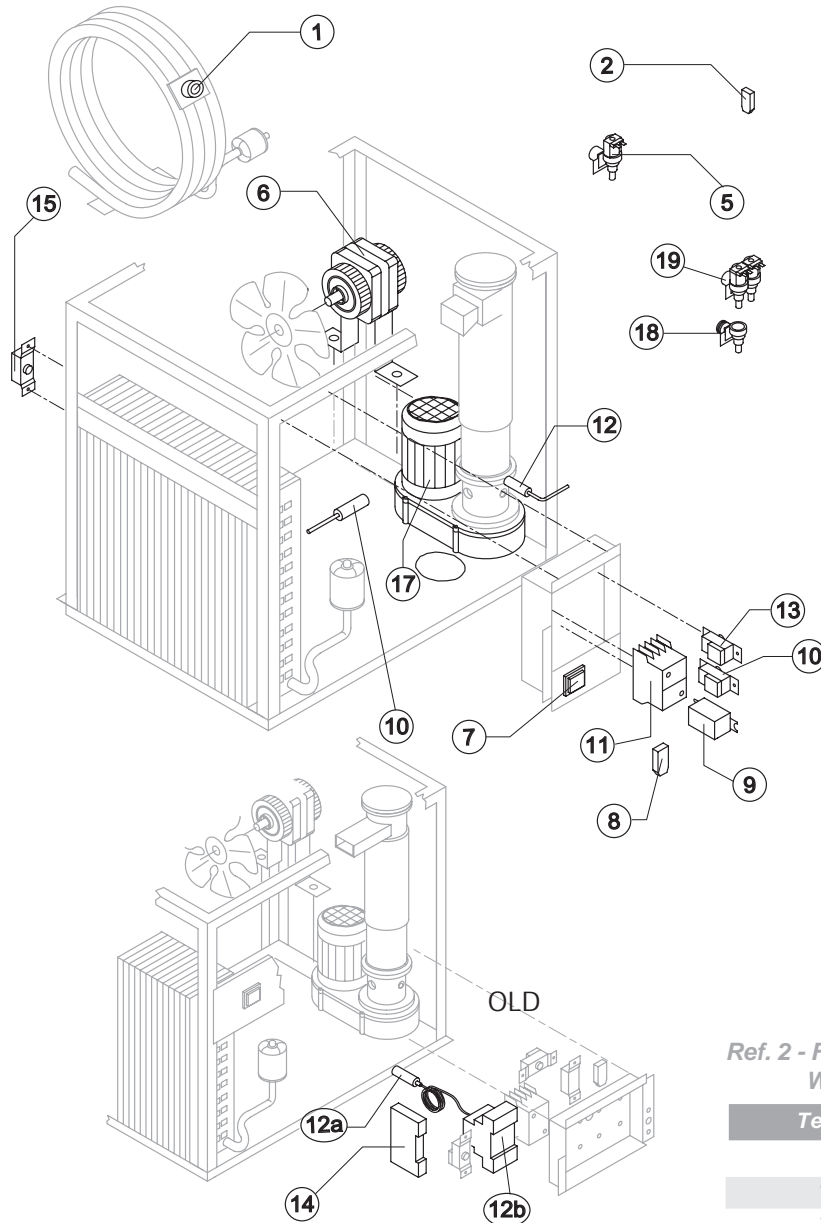
| Ref. | Spare Description | Code |
|------|---------------------|--------|
| 5 | Discharges Manifold | C10053 |

Rev. 8 - 01/04/2009



G 250

ELECTRIC PARTS



Common Parts

| Ref. | Spare Description | Code |
|------|--------------------------------|---|
| 2 | Anti Radio Interference Filter | C23457 |
| 5 | 1 Way- Water Inlet Valve | 23115 |
| 7 | Green Light Switch (On-Off) | 23327 |
| 10 | Low pressure safety switch | Current Version 23909 |
| 10 | Evaporator Thermostat | Till s/n. 449741 R23034 |
| 11 | Contactor | 23147 |
| 12 | Rotation Sensor | Current Version R23676 |
| 12a | Probe of Rotation Sensor | Till s/n. 188726 23634 |
| 12b | Rotation Sensor Switchboard | Till s/n. 188726 23633 |
| 13 | Bin Thermostat | R23421 |
| 14 | Electronic Timer | Till s/n. 162639 23560 |
| 15 | Safety Pressure-Switch | 23342 |
| 17 | Gearmotor | Current Version See Table |
| 17 | Gearmotor | Only for T11 and T12 Till s/n. 162639 23571 |

Parts for Air-Cooled Version Only

| Ref. | Spare Description | Code |
|------|--------------------------------|-------------|
| 6 | Fan Motor | 23121 |
| 8 | Anti Radio Interference Filter | C23459 |
| 9 | Condenser Pressure Switch | See Table - |

Parts for Water-Cooled Version Only

| Ref. | Spare Description | Code |
|------|---------------------------|-------------------------|
| 1 | Safety Thermostat | Till s/n. 175256 C23114 |
| 2 | Fan Motor | See Table - |
| 18 | 1 Way- Water Inlet Nipple | 10368 |
| 19 | 2 Ways- Water Inlet Valve | Till s/n. 123470 C23192 |

Ref. 2 - Fan motor - Water cooled version

| Tension | Code |
|---------|-------|
| T11 | 23029 |
| T12 | 23029 |
| T18 | 23682 |

Ref. 9 - Cond. Pressure Switch

| Tension | Code |
|---------|-------|
| T11 | 23175 |
| T12 | 23175 |
| T18 | 23680 |

Ref. 17 - Gearmotor

| Tension | Code |
|---------|-------|
| T11 | 23638 |
| T12 | 23638 |
| T18 | 23853 |

Rev. 8 - 01/04/2009