

M B M

**SPARE PARTS CATALOGUE
ERSATZTEILKATALOG
CATALOGUE PIECES DETACHEES
CATALOGO PARTI RICAMBIO
CATALOGO DE PIEZAS DE RECAMBIO
CATALOGO PEÇAS DE REPOSICAO**

LOD 502

30-06-2011

LOD 502

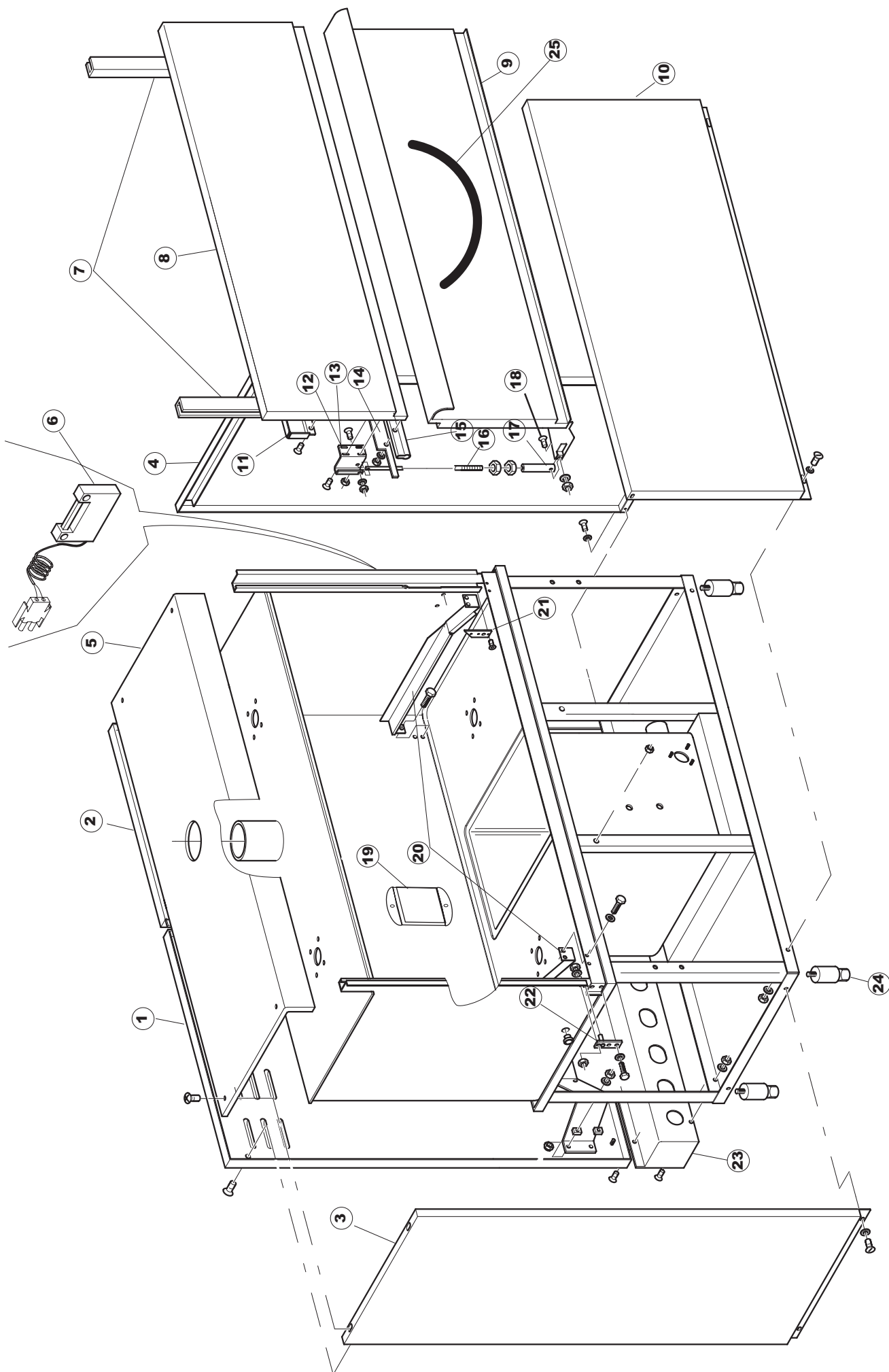
Tav.1: Carrozzeria
Tav.2: Impianto elettrico
Tav.3: Componenti in vasca
Tav.4: Circuito di lavaggio
Tav.5: Circuito di risciacquo
Tav.6: Lance di lavaggio
Tav.7: Pompa di lavaggio

Tav.1: Machine body
Tav.2: Electrical components
Tav.3: Components in the tank
Tav.4: Washing circuit
Tav.5: Rinsing circuit
Tav.6: Washing arms
Tav.7: Washing pump

Tab.1: Carrocería
Tab.2: Instalación eléctrica
Tab.3: Componentes en cuba
Tab.4: Circuito de lavado
Tab.5: Circuito d'enjuague
Tab.6: Brazos de lavado
Tab.7: Bomba de lavado

Tab.1: Carrosserie
Tab.2: Installation électrique
Tab.3: Composants de cuve
Tab.4: Circuit de lavage
Tab.5: Circuit de rinçage
Tab.6: Bras de lavage
Tab.7: Pompe de lavage

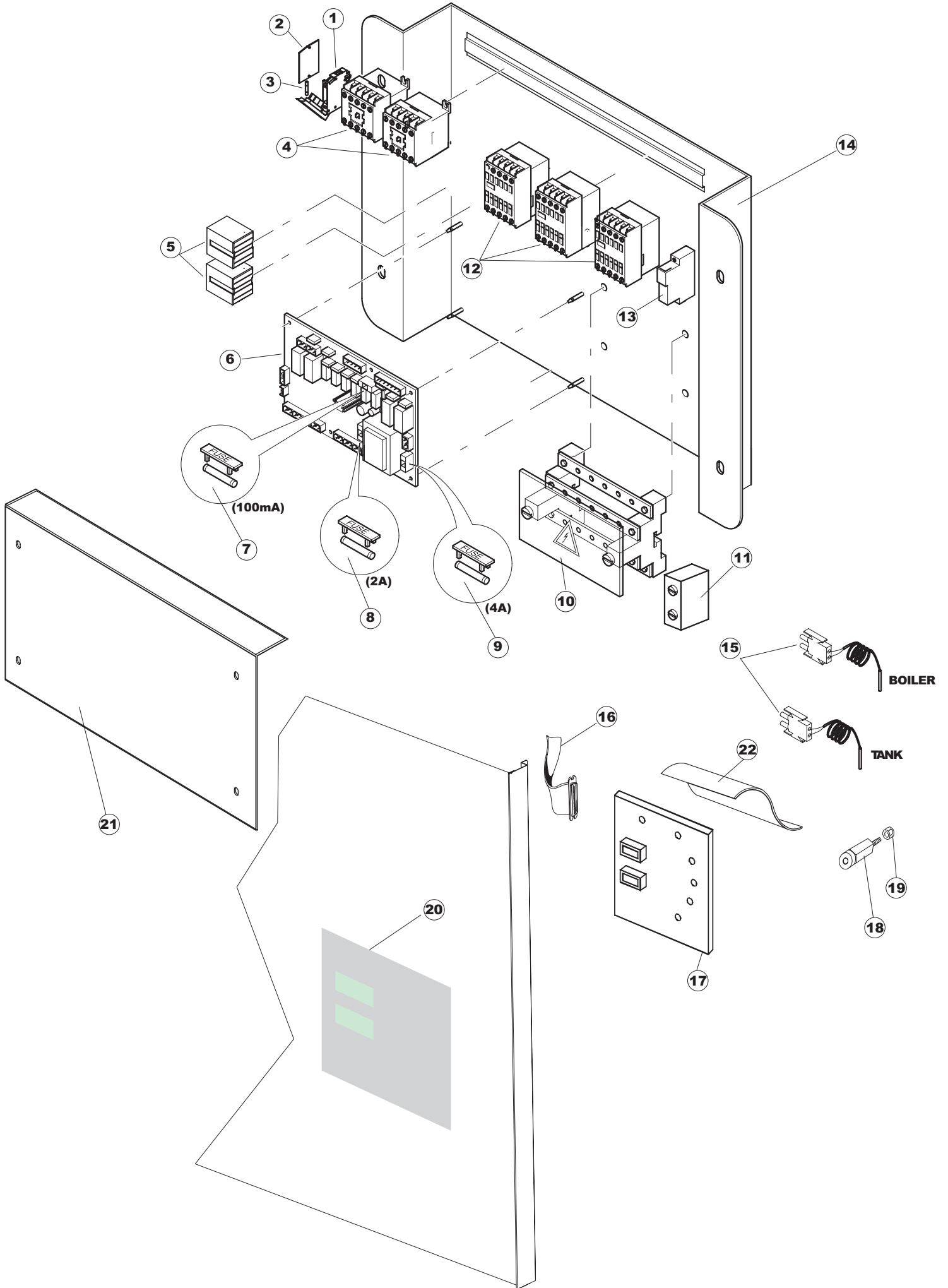
Taf.1: Verkleidung
Taf.2: Elektrische Anlage
Taf.3: Bauteile im Waschtank
Taf.4: Spuelschaltung
Taf.5: Nachspuelschaltung
Taf.6: Wascharmee
Taf.7: Spuelpumpe



Pagina 1

1	43622	PANNELLO RETRO REAR PANEL RUECKPANEEL PANNEAU ARRIERE PANEL PARTE POST IZQDA.	
2	43621	PANNELLO RETRO DX	
3	42511	PANNELLO LATERALE SINISTRO SIDE PANEL - LEFT. SEITLICHES PANEEL - LINKS PANNEAU LATERAL - GAUCHE. PANEL LATERAL IZQDO.	
4	42512	PANNELLO LATERALE DESTRO BACK PANEL, RIGHT PANNEAU ARRIERE, DROIT	
5	43118	PANN.SUP.U132 PANEL, UPPER U132 OB. PLATTE U132 PANN.SUP.U132 PANEL SOP. U132	
6	80871	MICRO MAGNETICO MAGNETIC DOOR SWITCH TUERKONTAKTSCHALTER CONTACTE MAGNETIQUE CONTACTO MAGNETICO	
7	44265	GUIDA PORTA DOOR SLIDING GUIDE TUER-GLEITENDER BAHN - OBEN - GUIDE GLISSANTE PORTE GUIA PUERTA	
8	43380	PORTA SUPERIORE PUERTA SUPERIOR	
9	43640	PORTA INFERIORE	
10	43124	PANNELLO ANTERIORE LP301 COMPLETO PANEL DELANT.LP301 COMPLETO.	
11	43055	BATTUTA SPORTELLO SUPER.U132 DOOR-LEDGE, SUPER.U132 TÜRANSCHLAG, OBEN U132 FEUILLURE VOLET SUP.U132 TOPE PUERTA SUPER. U132	
12	4108701	SQUADRA DESTRA AGGANCIO TIRANTE SPORTELLO SUPERIC RIGHT BRACKET FOR UPPER DOOR TIE ROD FASTENING RECHT-HATER FUER ANKUPPELN DER OBEREN TUER-STANG EQUERRE DROITE ACCROCHAGE TIRANT PORTE SUPERIEUR ESCUAD DCHA. FIJA TIR PUERTA SUP. LP PG ACAB.	
13	4108801	SQUADRETTA SINISTRA AGGANCIO TIRANTE SPORTELLO SUP LEFT BRACKET FOR UPPER DOOR TIE ROD CONNECTION FOF LINK-HALTER FUER ANKUPPELN OBEREN TUERSTANGE FUER EQUERRE DROITE ACCROCHAGE TIRANTE PORTE SUPERIEUR ESCUAD IZQDA. FIJ TIR PUERTA SUP. LP PG ACAB.	
14	43382	SUPPORTO GUARNIZIONE SPORTELLO SUPERIORE PER LAVA DOOR PACKING SUPPORT - UPPER FOR POT AND PAN WASH TUERDICHTUNGSHALTERUNG - OBEN FUER KOCHT OEPFESP SUPPORT JOINT PORT SUPERIEUR POUR LAVE-C ASSEROLE SOP. JUNTA PUERTA SOP. U132	
15	43383	GURANIZIONE PORTA	

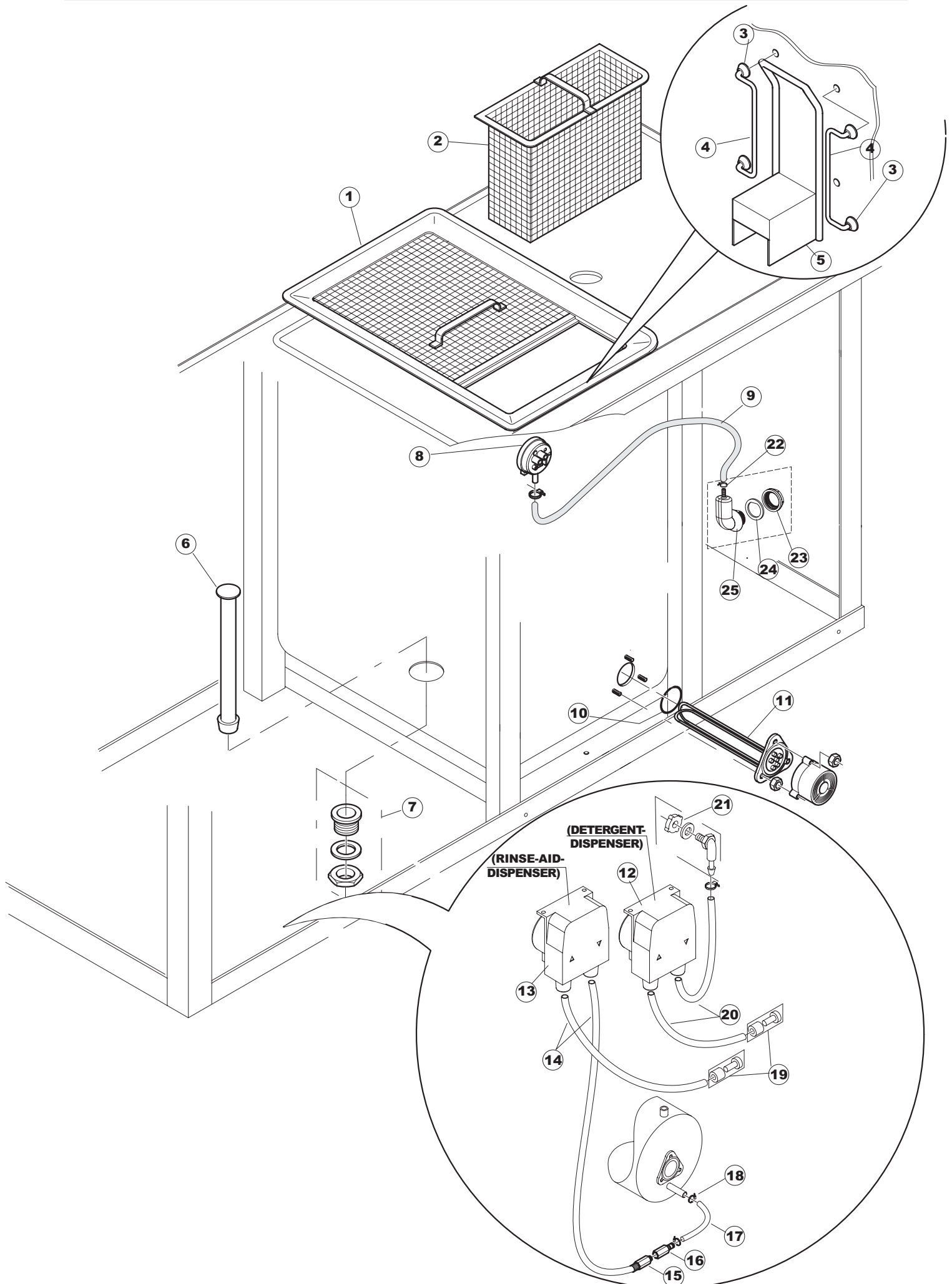
16	44593	TIRANTE PORTA DOOR LEVER HEBEL TUER MONT TIRANT PORTE TIRANTE PUERTA	
17	41095	BUSSOLA TIRANTE PORTA 610/610H BUSHING, DOOR TIE-ROD 610/610H BUCHSE, TÜRZUGSTAB 610/610H DOUILLE TIRANT PORTE 610/610H CASQUILLO TIRANTE PUERTA 610/610H	
18	486078	VITE TC-CE M6X40 INOX SCREW TC-CE M6X40 INOX SCHRAUBE TC-CE M6X40 INOX VIS TC-CE M6X40 INOX TORNILLO TC-CE M6X40 INOX	
19	43527	PROTEZIONE GUARD SCHUTZVERKLEIDUNG PROTECTION SOPORTE DE PROTECCION	
20	42539	GUIDA CESTO RACK GUIDE KORBFUEHRUNG COULISSE PANIER GUIA CESTA	
21	4113501	SPESSORE LAT.SPORTELLO SIDE THICKNESS FOR DOOR SEITL. EINLEGERING FÜR TÜR EPAISSEUR LAT. VOLET GROSOR LAT. PUERTA	
22	4114501	PIASTRINA PERNO SPORTELLO U61.. PLATE, DOOR PIN U61.. PLATTE, TÜRANGEL U61.. PLAQUE PIVOT VOLET U61.. PLANCHITA PERNO PUERTA U61. .	
23	43523	PANNELLO RETRO INFERIORE REAR PANEL RUECKPANEEL PANNEAU ARRIERE PANELO PARTE POST. INFERIOR	
24	927006	PIEDE REGOLABILE X TRAINO FOOT, ADJUST. FOR TACK CONVEYOR VERSTELLFUSS FÜR KORBTR. PIED REGLABLE POUR AVANC. PATA REGULABLE X ACCION.	
25	41275	MANIGLIA INOX (AD ARCO) MANIJA INOX (ARQUEADA)	



Pagina 2

1	H.228047	* PORTA-FUSIBILE * FUSE-HOLDER * SICHERUNGSTRAGER * PORTE-FUSIBILE * PORTAFUSIBILE	
2	H.228048	* CHIUSURA PORTA-FUSIBILE * CLAMPING FOR FUSE-HOLDER * SICHERUNGSTRAGER-VERSCHLUSS * COUVERTURE PORTE-FUSIBILE * CIERRE PORTAFUSIBILE	
3	228004	FUSIBILE 5X20 4A FAST FUSE, 5X20 4A FAST SICHERUNG, 5X20 4A FAST FUSIBILE 5X20 4A FAST FUSIBILE 5X20 4A FAST	
4	80350	CONTAT 230-50/60HZ 3RT1016-1AP01 CONTACT, 230-50/60HZ 3RT1016-1AP01 KONTAKT, 230-50/60HZ 3RT1016-1AP01 CONTACT 230-50/60HZ 3RT1016-1AP01 VER CODIGO 229037	
5	929115	RELE 16A 230V 62.82 RELAY 16A 230V 62.82 RELAIS 16A 230V 62.82 RELAIS 16A 230V 62.82 RELE 16A 230V 62. 82	
6	215032	SCHEDA ELETTRONICA GET50 MAIN BOARD KARTE CARTE ELECTRONIQUE TARJETA CHORROS50 MICRO 644	
7	80873	FUSIBILE 100MA 250V FUSE 100MA 250V SCHMELZSICHERUNG 100MA 250V FUSIBILE 100MA 250V FUSIBILE 100MA 250V	
8	80874	FUSIBILE 2A 250V FUSE 2A 250V SCHMELZSICHERUNG 2A 250V FUSIBILE 2A 250V FUSIBILE 2A 250V (OMEGA)	
9	80875	FUSIBILE 4A 250V (OMEGA) FUSE 4A 250V SCHMELZSICHERUNG 4A 250V FUSIBILE 4A 250V FUSIBILE 4A 250V (OMEGA)	
10	75983	MORSETTIERA 4POLI 600V TERMINAL BOARD 4P 600V KLEMMLEISTE 4P 600V BORNIER 4P 600V BORNERO 4POLOS(125A) 600V POTENCIA	
11	75980	MORSETTO 35MMQ 750V (WEIDMULLER)	
12	80351	CONTATTORE TRIPOLARE 40A CONTACTOR TRIPOLAR 40A SCHALTSCHÜTZ DREIPOL. 40A CONTACTEUR TRIPOLAIRE 40A CONTACTOR TRIPOLAR 40A	
13	DEI4	CONTATTO AUSILIARIO (3RH1921-1DA11) AUXILIARY CONTACT (3RH1921-1DA11) CONTACTO AUXILIAR (3RH1921-1DA11)	
14	43219	PANNELLO PANEL PANEEL PANNEAU PANEL PORTA-COMPONENTES	
15	231016	SONDA TEMPERATURA TEMP. PROBE KUGEL SONDE SONDA TEMPERATURA (AMPOLLA ACERO)	

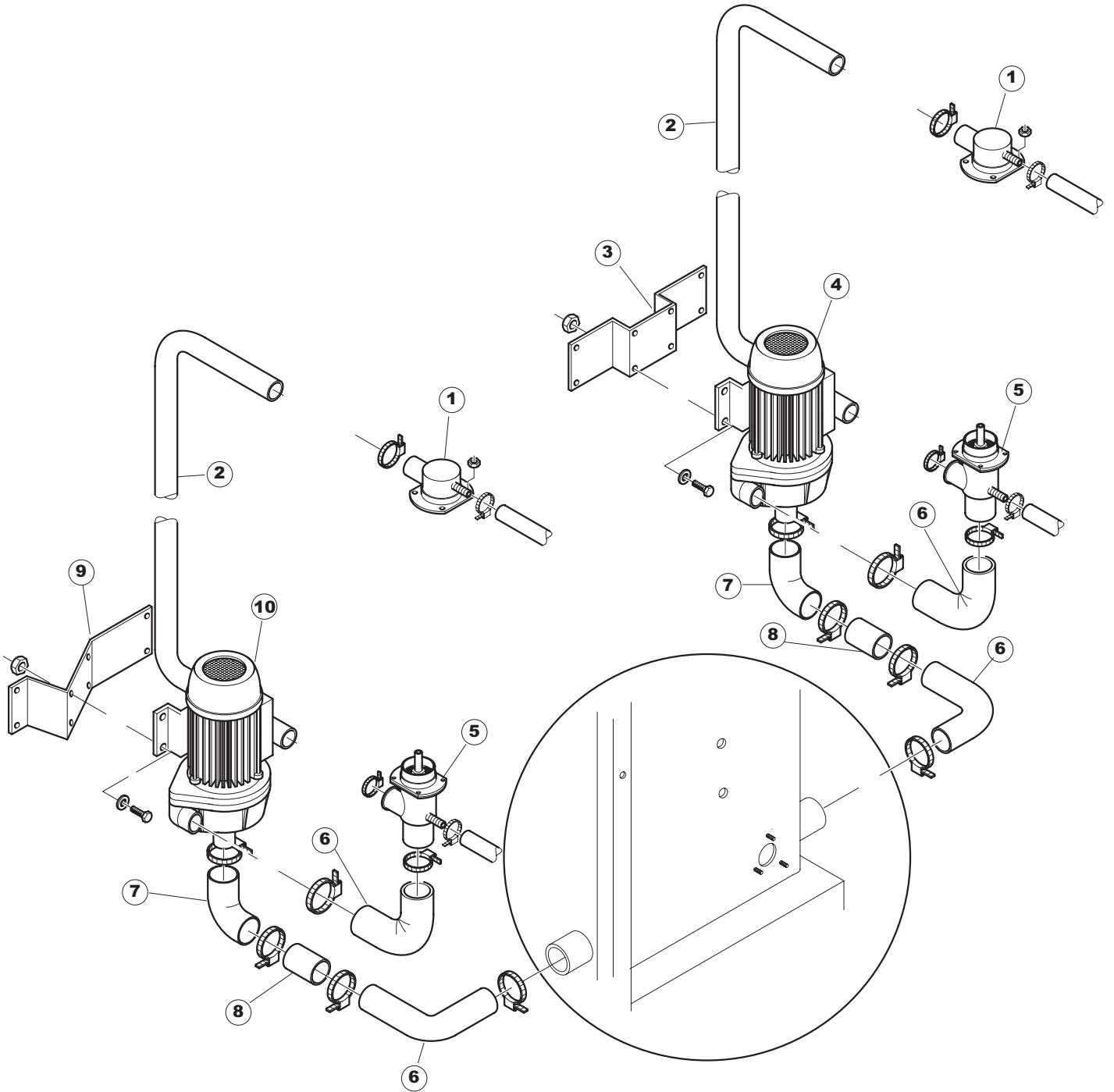
16	80933	CAVO FLAT COMANDI SUPERIORI CAPOT CABLE FLAT CAPOT FLACHKABEL TRISSE LIAISON CABLE FLAT MANDOS SUPERIORES CAPOT	
17	80889	TASTIERA COMANDI CONTROL KEYBOARD BEDINGUNGEN-TESTENBRETT TABLEAU A POUSSOIRS COMMANDES TECLADO DE MANDOS	
18	419036	SPACER SPACER, M3 ABSTANDSSTÜCK, M3 ENTRETOISE M3 DISTANCIADOR M3	
19	417119	DADO M3 PLASTICA BIANCO NUT, M3 PLASTIC WHITE SCHRAUBENMUTTER, M3 KUNST. WEISS ECROU M3 PLASTIQUE BLANC TUERCA M3 PLASTICO BLANCO	
20	41511	POLIESTERE POLIESTER LOD202-302-304-305 MBM	
21	43221	COPERCHIO CRUSCOTTO COVER DECKEL COUVERCLE TAPA PANEL	
22	69810	TENDINA COPERTURA TASTIERA PANNELLO ANTERIORE CURTAIN VORHANG RIDEAU CORTINA COPERTURA TECLADO PAN. DELANT.	



Pagina 3

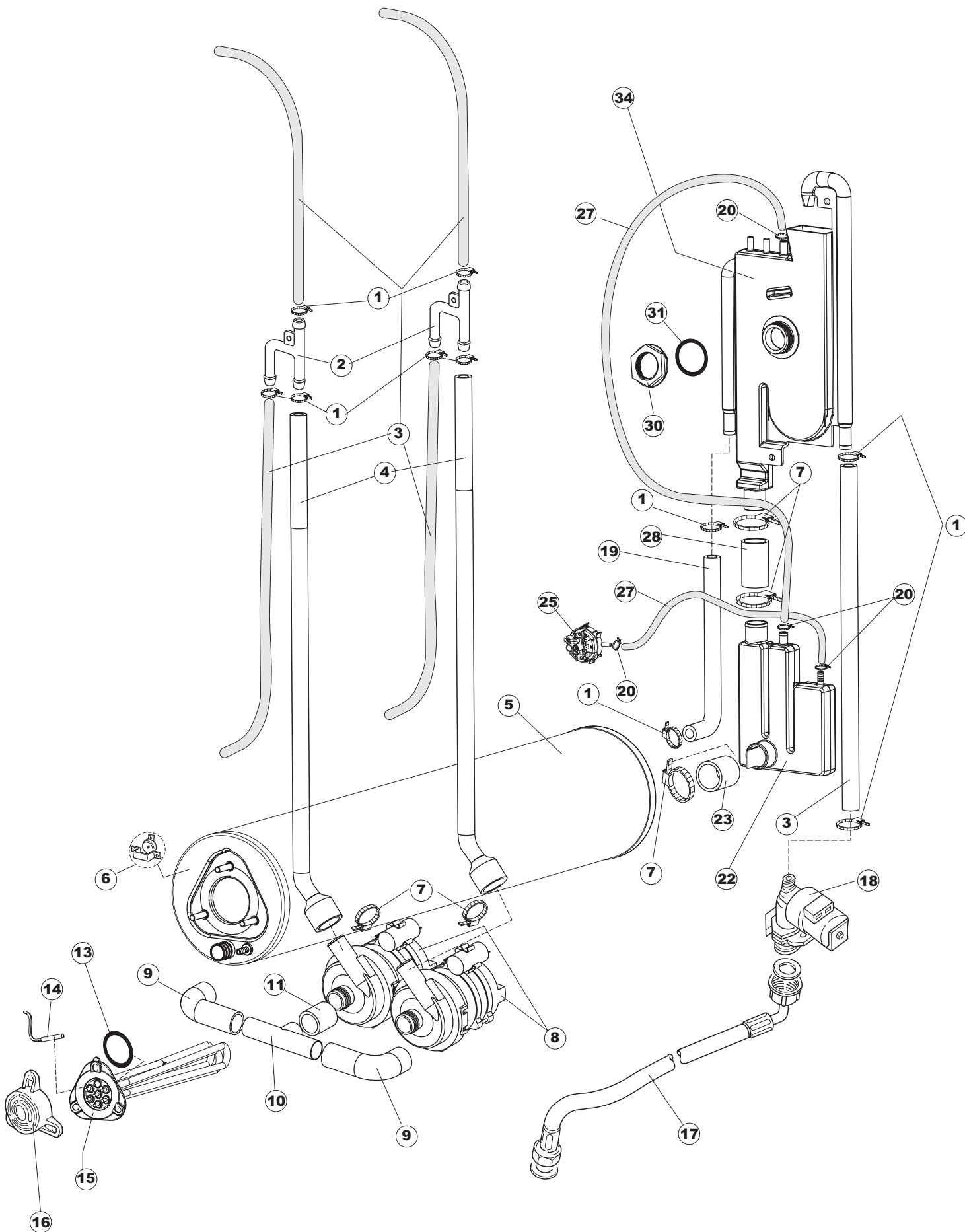
1	43039	FILTRO VASCA COMPL.U132 FILTER, TANK - COMPL.U132 FILTER, TANK - KOMPL.U132 FILTRE CUVE COMPL.U132 FILTRO CUBETA COMPL. U132	
2	43044	FILTRO VASCA A CASSETTO COMPL.U132 FILTER, TANK - BOX-TYPE COMPL.U132 FILTER, TANK - KASTENTYP KOMPL.U132 FILTRE CUVE A TIROIR COMPL.U132 FILTRO CUBETA DE CAJON COMPL. U132	
3	472061	RONDELLA X GUIDA CESTO CL.3 WASHER, FOR BASKET GUIDE CL.3 UNTERLEGSCHIEBE, FÜR KORBFÜHRUNG KL.3 RONDELLE POUR GUIDE PANIER CL.3 ARANDELA X GUIA CESTA CL. 3	
4	42092	GUIDA FILTRO ASPIRAZIONE U70 GUIDE, EXHAUST. FILTER U70 FÜHRUNG, ABSAUG.FILTER U70 GUIDE FILTRE ASPIRATION U70 GUIA FILTRO ASPIRACION U70	
5	42089	FILTRO ASPIRAZIONE POMPA U70 FILTER, SUCTION FOR PUMP U70 FILTER, ABSAUG. FÜR PUMPE U70 FILTRE ASPIRATION POMPE U70 FILTRO ASPIRACION BOMBA U70	
6	42181	TROPPO PIENO INOX U70 OVERFLOW, INOX U70 ÜBERLAUF, INOX U70 TROP-PLEIN INOX U70 REBOSE INOX U70	
7	42185	PILETTA COMPL.INOX 1"1/2 (01713007) DRAIN, COMPL., INOX 1"1/2 (01713007) ABFLUSS, KOMPL., INOX 1"1/2 (01713007) TUYAU DE VIDANGE COMPL.INOX 1"1/2 (01713007) PILETA COMPL. INOX 1"1/2 (01713007)	
8	926049	PRESSOSTATO 761999 180-70 PRESSURE SWITCH 761999 180-70 DRUCKSCHALTER 761999 180-70 PRESSOSTAT 761999 180-70 PRESOSTATO 761999 180-70	
9	143253	TUBO SILICONE 3X8 SILICON PIPE 3X8 SILIKONSCHLAUCH 3X8 TUYAU SILICONE 3X8 TUBO SILICONA 3X8	
10	456002	OR 48x6,2 O-ring 48x6,2 O-Ring 48x6,2 OR 48x6,2 OR 48x6,2	
11	80398	RESIST. 9,5KW 230/400V (1GEL7R624001) RESIST. 9,5KW 230/400V (1GEL7R624001)	
12	209022	DOSAT.PERIST.DETERGENTE NON REG. PERISTALTIC DISPENSER PERISTALTISCHES DOSIERGERAET KLARSPUELER DOSEUR PÉRISTALTIQUE DOSSIFIC.PERIST.DETERGENTE NO REG.	
13	209024	DOSAT.PERIST.BRILLANTANTE NON REG. PERISTALTIC DISPENSER PERISTALTISCHES DOSIERGERAET REINIGER DOSEUR PÉRISTALTIQUE DOSIFIC.PERIST. ABRILLANTADOR NO REG.	
14	H.775601	TUBO 4x6 CRISTAL BLUE PVC PIPE 4x6 CRISTAL BLUE PVC ROHR 4x6 CRISTAL BLAU PVC TUYAU 4x6 CRISTAL BLEU PVC TUBO 4x6 CRISTAL AZUL PVC	
15	468200	RACCORDO ACCIAIO INOX AISI316 1/8" STAINLESS STEEL CONNECTION AISI316 1/8" VENTIL RACCORD EN ACIER INOXYDABLE 1/8" EMPALME ACERO INOX AISI316 1/8"	

16	468201	RACCORDO CALZATUBO PER INIEZ.BRILL. CONNECTION VERBINDER FUER SCHLAUCH TP 5X11 UND VENTIL 468200 RACCORD EMPALME CALZATUBO PARA INYECC. ABRILL.	
17	143005	TUBO PRESS.TP 5x11 (CASER/15/NL C4N) PIPE, PRESSURE SWITCH TP 5x11 (CASER/15/NL C4N) SCHLAUCH TP 5X11 (CASER/15/NL C4N) TUYAU PRESS.TP 5x11 (CASER/15/NL C4N) TUBO PRES. TP 5x11 (CASER/15/NL C4N)	
18	423010	FASCETTA D8X12X7,5 TIPO TORRO ACC.W2 CLAMP, D8X12X7,5 TYPE TORRO ACC.W2 SCHELLE, D8X12X7,5 TYP TORRO ACC.W2 BANDE DE SERR. D8X12X7,5 TYPE TORRO ACC.W2 ABRAZADERA D8X12X7,5 TIPO TORRO ENC. W2	
19	121075	FILTRO ASPIR.INOX(775239-001) FILTER, SUCT.INOX (775239-001) FILTER, ABSAUG.INOX (775239-001) FILTRE ASPIR.INOX(775239-001) FILTRO ASPIR. INOX(775239-001)	
20	SPP4	TUBO PLAST 4X6 PIPE, PLAST. 4X6 ROHR, KUNST. 4X6 TUYAU PLAST. 4X6 TUBO PLAST 4X6	
21	468151	RACCORDO ENTRATA SAPONE CPL NM * SALDATO UNION, EXTRA DET. CPL NM * WELDED TANKEINLAUF CPL NM* RACCORD ENTREE SAVON CPL NM * SOUDE EMPALME ENTRADA JABON CPL NM * SOLDADO	
22	CFF10073	FASCETTA A FILO 10073 COLLIER DE SERRAGE EN FIL D'ACIER 10073 SCHLAUCHSCHELLE 10073 WIRE HOSECLAMP 10073 ABRAZADERA CON HILO 10073	
23	417120	DADO PLASTICA GRIGIO PLASTIC NUT KUNSTSTOFFMUTTER 1-1/4 ECROU EN PLASTIQUE TUERCA PLASTICO GRIS	
24	437098	GUARNIZIONE NUOVA CAMP.PRESS. PACKING FOR AIR TRAP OF PRESSURE SWITCH DICHTUNG FUER LUFTFALLE JOINT PRISE D'AIRE PRESSOSTAT JUNTA NUEVA CAMP.PRES.	
25	107012	CAMPANA PRESSOSTATO (L) RV40-50-CAPOTE AIR TRAP LUFTFALLE PRISE D'AIR CAMPANA PRESOSTATO (L) RV40-50-CAPOTA	



Pagina 4

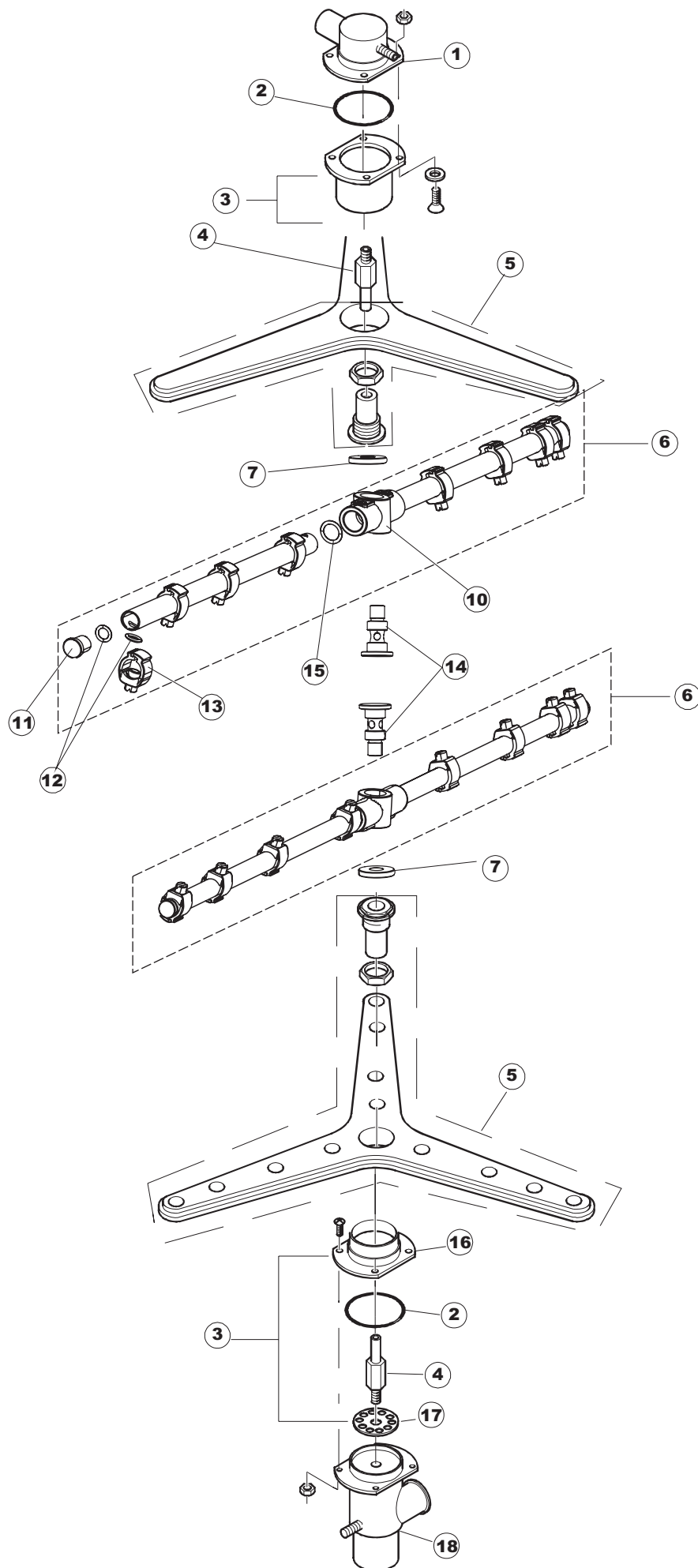
1	4205901	RACCORDO LANCIA LAV.SUP.EW610H UNION, WASH.ARM UPP.EW610H VERBINDUNGSST., SPÜLARM OB.EW610H RACCORD RAMPE DE LAV.SUP.EW610H EMPALME LANZA LAV. SUP. EW610H	
2	43555	TUBO PIPE ROHR TUYAU TUBO LAVADO	
4	929174	POMPA 4HP 230/400-50 RUOT.(2250/C) PUMP 4HP 230/400-50 ROTAT.(2250/C) PUMPE 4HP 230/400-50 DREH.(2250/C) POMPE 4HP 230/400-50 PIV.(2250/C) BOMBA 4HP 230/400-50 RUOT. (2250/C)	
5	4206301	RACCORDO LANCIA LAV.INF.EW610.. UNION, WASH.ARM LOW.EW610.. VERBINDUNGSST., SPÜLARM UNTEN EW610.. RACCORD RAMPE DE LAV.INF.EW610.. EMPALME LANZA LAV. INF. EW610. .	
6	929164	GOMITO IN GOMMA P2703 SAIAG ELBOW, RUBBER P2703 SAIAG KNIESTÜCK, GUMMI P2703 SAIAG COUDE EN CAOUTCHOUC P2703 SAIAG CODO DE GOMA P2703 SAIAG	
7	929056	DISTRIBUZ.LAV.PL.C/ANTISBUF.55 WASH-DISTRIBUTION PL.C/ANTISBUF.55 SPÜLVERTEILUNG PL.C/ANTISBUF.55 DISTRIBUTION LAV.PL.C/ANTISBUF.55 DISTRIBUC. LAV. PL. C/ANTISOPLO 55	
8	42028	TRONCHETTO ASPIRAZIONE TRONCO ASPIRACION (EMBUTIDO)	
9	43316	SUPP SX POMPA LAVAG LP301 PIEGATO FINIT	
10	929175	POMPA 4HP 230/400-50 RUOT.(2250/C) PUMP 4HP 230/400-50 ROTAT.(2250/C) PUMPE 4HP 230/400-50 DREH.(2250/C) POMPE 4HP 230/400-50 PIV.(2250/C) BOMBA 4HP 230/400-50 RUOT. (2250/C)	



Pagina 5

1	927322	FASCETTA NASTRO 14-24 CLAMP, TAPE 14-24 SCHLAUCHSCHELLE 12-22 BANDE DE SERRAGE CONVOYEUR 14-24 ABRAZADERA CINTA 12-22	
2	143173	GIUNZIONE RISC.PLAST.35/40/50 JOINT, RINSE PLAST.35/40/50 VERBIND., NACHSPÜLEN KUNST.35/40/50 JOINT RINC.PLAST.35/40/50 UNION ENJUAGUE PLAST. 35/40/50	
3	143010	TUBO PRESS.TP 12X19.5 PIPE, PRESSURE SWITCH TP 12X19.5 ROHR, DRUCKSCHALTER TP 12X19.5 TUYAU PRESS.TP 12X19.5 TUBO PRES. TP 12X19. 5	
4	41525	TUBO MANDATA RISCIAQUO (CRP) PIPE, DELIVERY PIPE FOR RINSE (CRP) ZUFLUSSROHR FÜR NACHSPÜLEN (CRP) TUYAU REFOULEMENT RINCAGE (CRP) TUBO IMPULSION ENJUAGUE (CRP)	
5	43550	BOILER 17 LITRI BOILER BOILER RECHAUFFEUR CALENTADOR 17LT	
6	926189	TERMOSTATO BOILER SIC.95ø THERMOSTAT, BOILER, SAF.95ø SICHERHEITSTHERMOSTAT BOILER 95° THERMOSTAT CHAUDIERE SEC. 95ø TERMOSTATO CALENTADOR SEG. 95ø	
7	CFS18	FASCETTA A VITE TORRO 20-32/9 CLAMP, HOSE-TYPE TORRO 20-32/9 SCHLAUCHSCHELLE 20-32/9 BANDE DE SERRAGE A VIS TORRO 20-32/9 ABRAZADERA CON TORNILLO TORRO 20-32/9	
8	80627	ELETTROPOMPA 200W 230V-1PH-50HZ CON CONDENSATOR PUMP PUMPE POMPE ELECTROBOMBA ENJUAGUE 200W	
9	43565	TUBO PIPE ROHR TUYAU TUBO ENJUAGUE	
10	43560	MANICOTTO INOX COUPLING MUFFE MANCHON MANGUITO INOX	
11	43564	MANICOTTO COUPLING MUFFE MANCHON MANGUITO LAVADO	
13	456002	OR 48x6,2 O-ring 48x6,2 O-Ring 48x6,2 OR 48x6,2 OR 48x6,2	
14	231016	SONDA TEMPERATURA TEMP. PROBE KUGEL SONDE SONDA TEMPERATURA (AMPOLLA ACERO)	
15	80398	RESIST. 9,5KW 230/400V (1GEL7R624001) RESIST. 9,5KW 230/400V (1GEL7R624001)	
16	69870	PROTEZIONE RESISTENZA BOILER BOILER HEATING ELEMENT PROTECTION HEIZUNGSSCHUETZ DES WARMWASSERBEREITERS PROTECTION RESISTANCE BOILER PROTECCION RESISTENCIA CALENTADOR	

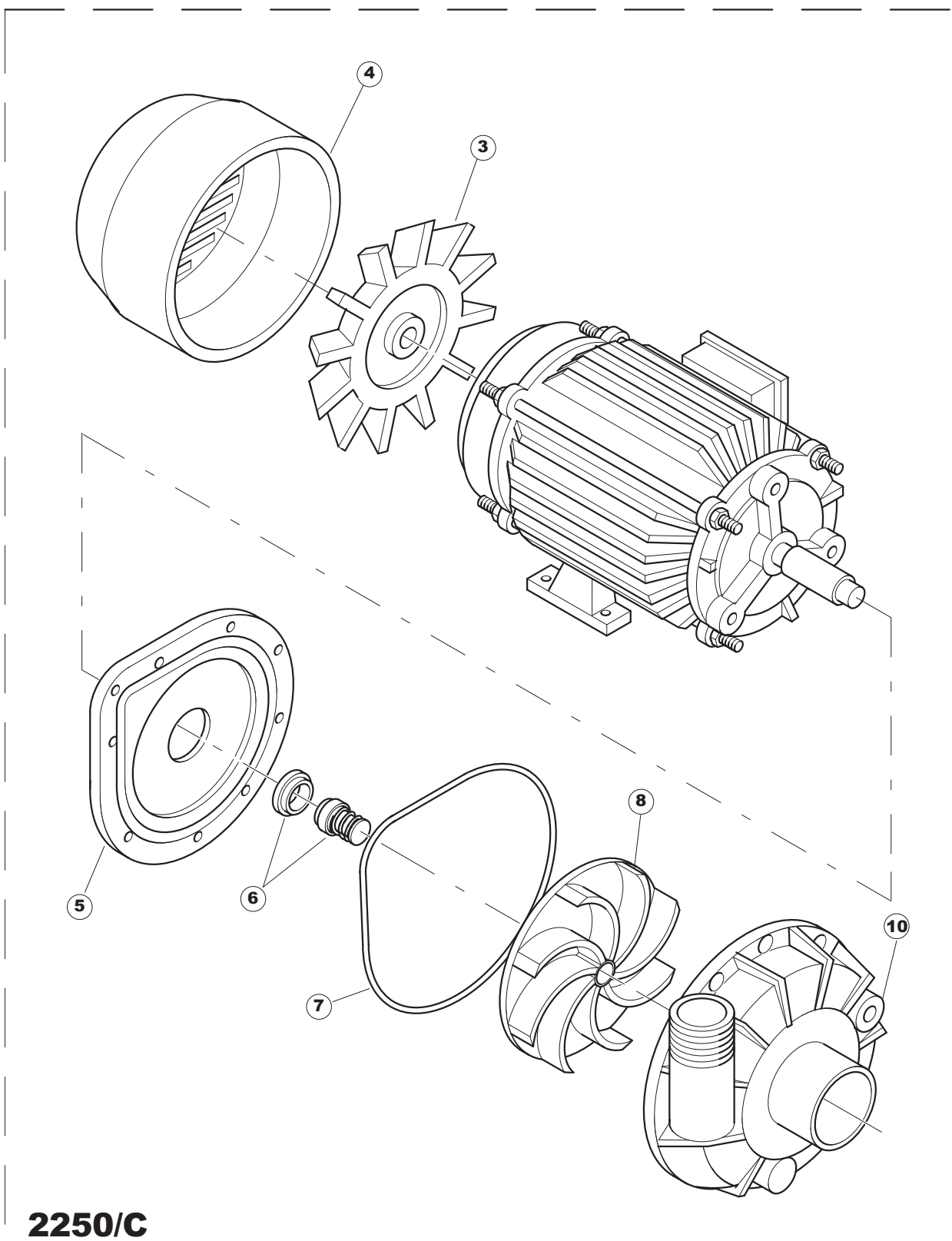
17	929169	TUBO DI CARICO DEL TERMOPLASTICO PIPE, THERMOPLASTIC DELIVERY ZULAUFSCHLAUCH, WASSER THERMOPLAST TUYAU DE CHARG. DU THERMOPLASTIQUE TUBO DE CARGA DEL TERMOPLASTICO	
18	240018	VALVOLA DI CARICO 1 VIA CRP LOADING S.VALVE 1-WAY CRP ZUFLUSSVENTIL 1-WEG CRP SOUPAPE DE CHARG. 1 VOIE CRP VALVULA DE CARGA 1 VIA CRP	
19	127098	MANICOTTO SFIATO BOILER CRP->BT COUPLING LA50 MUFFE LA50 MANCHON LA50 MANGUITO ALVIAD. CALENTADOR CRP->BT LA50	
20	423026	FASCETTA DOPPIO FILO 10.7	
22	144027	SISTEMA CARICAMENTO CRP PLASTIC AIRGAP AIR GAP GEOFFNETER BEHAELTER SISTEMA CARGA CRP	
23	127095	MANICOTTO BOILER->SISTEMA CRP MANIFOLD MUFFE MANGUITO CALENTADOR->SISTEMA CRP	
25	224002	PRESSOSTATO - 110/60 PRESSURE SWITCH - 110/60 DRUCKWAECHTER 110/60 PRESSOSTAT - 110/60 PRESOSTATO - 110/60	
27	H.165168	TUBO PVC 6X9 CRISTAL TRASP. RAUCLAIR PVC PIPE PVC SCHLAUCH TUYAU PVC * TUBO PVC 6X9 CRISTAL TRANSPARENTE	
28	929171	TUBO GOMMA 20X30 HOSE, RUBBER 20X30 SCHLAUCH, GUMMI 20X30 TUYAU CAOUTCHOUC 20X30 TUBO GOMA 20X30	
30	417125	DADO IN PLAST.CON COLLARE(171571) NUT MUTTER ECROU TUERCA DE PLAST.CON COLLAR(171571)	
31	437104	GUARNIZIONE D45D33S2 EPDM 70SH RUBBER GASKET DICHTUNG JOINT JUNTA D45D33S2 EPDM 70SH	
34	144021	AIRGAP SPECIALE LA50 PLASTIC AIRGAP AIR GAP GEOFFNETER BEHAELTER AIRGAP SPECIAL LA50 AIRGAP ESPECIAL LA50	



Pagina 6

1	4205901	RACCORDO LANCIA LAV.SUP.EW610H UNION, WASH.ARM UPP.EW610H VERBINDUNGSST., SPÜLARM OB.EW610H RACCORD RAMPE DE LAV.SUP.EW610H EMPALME LANZA LAV. SUP. EW610H	
2	926252	OR 4275 O-ring 4275 O-Ring 4275 OR 4275 OR 4275	
3	41064CP	CONTROFL.SUP.LANCIA LAV.U61/61H COUNTER-FLANGE, SUPP. FOR ARM-WASH U61/61H GEGENFLANSCH, OB. FÜR SPÜLLANZE U61/61H CONTRE-BRIDE SUP.RAMPE DE LAV.U61/61H CONTRABRIDA SUP. LANZA LAV. U61/61H	
4	42053	PERNO LANCIA LAV.INFER.U61 PIN, LOW.WASH. WASH-ARM U61 ZAPFEN, UNT.SPÜLLANZE U61 PIVOT RAMPE DE LAV.INFER.U61 PERNO LANZA LAV. INFER. U61	
5	929196	LANCIA DI LAV.TRIANGOLARE COMPL.U70.. WASH-ARM, WASH. - TRIANGULAR COMPL.U70.. SPÜLLANZE - DREIECK. KOMPL.U70.. RAMPE DE LAV.TRIANGULAIRE COMPL.U70.. LANZA DE LAV. TRIANGULAIRE COMPL. U70. .	
6	42683	BRACCIO RISCIAQUO	
7	80679	GHIERA ULTRA RINSE INOX NUT RING BAGUE VIROLA ULTRA RINSE INOX	
10	69632	CORPO PETTINE ARM BODY KOERPER DES NACHSPUELARMES CORPS BRAS CUERPO PEINE ENJUAGUE.	
11	926132	TAPPO PL.X BRACCIO DI RISC.(DWT312) CAP, PLASTIC FOR WASH. ARM (DWT312) PFROPFEN, KUNST. FÜR NACHSPÜLARM (DWT312) BOUCHON PL.POUR BRAS DE RINC.(DWT312) TAPON PL. X BRAZO DE ENJUAGUE (DWT312)	
12	CGR106	O-RING 106 GOMMA NITR. (6,75 X 1,78 NBR) O-ring 106 NITRILE RUBBER (6,75 X 1,78 NBR) O-RING 106 NITRILGUMMI (6,75 X 1,78 NBR) O-RING 106 CAOUTCHOUC NITRYLE (6,75 X 1,78 NBR) VER CÓDIGO 456030	
13	80373	SPRUZZATORE RISCIAQUO SPRAYER, RINSE SPRITZDÜSE, NACHSPÜLEN GICLEUR RINCAGE VER CODIGO 140028	
14	80644	PERNO	
15	456019	OR 2037 O-ring 2037 O-Ring 2037 OR 2037 OR 2037	
16	41064	VEDI CODICE C.41064CP SEE CODE C.41064CP SIEHE SERIENN. C.41064CP VOIR CODE C.41064CP CONTRABRIDA SUP. LANZA LAV. LP	
17	41185	PARZIALIZZATORE PL. DRAUGHT SHUTTER PL. DROSSELGERAT PL. ETRANGLEUR PL. PARCIALIZADOR PL.	

18	4206301	RACCORDO LANCIA LAV.INF.EW610.. UNION, WASH.ARM LOW.EW610.. VERBINDUNGSST., SPÜLARM UNTEN EW610.. RACCORD RAMPE DE LAV.INF.EW610.. EMPALME LANZA LAV. INF. EW610. .	
----	---------	---	--



2250/C

1

2

Pagina 7

1	929174	POMPA 4HP 230/400-50 RUOT.(2250/C) PUMP 4HP 230/400-50 ROTAT.(2250/C) PUMPE 4HP 230/400-50 DREH.(2250/C) POMPE 4HP 230/400-50 PIV.(2250/C) BOMBA 4HP 230/400-50 RUOT. (2250/C)	
2	929175	POMPA 4HP 230/400-50 RUOT.(2250/C) PUMP 4HP 230/400-50 ROTAT.(2250/C) PUMPE 4HP 230/400-50 DREH.(2250/C) POMPE 4HP 230/400-50 PIV.(2250/C) BOMBA 4HP 230/400-50 RUOT. (2250/C)	
3	929189	VENTOLA ELETTRROPOMPA 2250 FAN, MOTORPUMP 2250 GEBL., ELEKTROPUMPE 2250 VENT. ELECTROPOMPE 2250 VENTIL. ELECTROBOMBA 2250	
4	929188	COPRIVENTOLA ELETTRROPOMPA 2250 FAN COVER, FOR MOTORPUMP 2250 GEBL.HAUBE, FÜR ELEKTROPUMPE 2250 COUVRE-VENT. ELECTROPOMPE 2250 CUBREVENTILADOR ELECTROBOMBA 2250	
5	929190	FLANGIA EL.POMPA 250 FLANGE, MOTORPUMP 250 FLANSCH, ELEKTROPUMPE 250 BRIDE ELECTROPOMPE 250 BRIDA ELECTROBOMBA 250	
6	929179	TENUTA MECCANICA PER POMPA 2250 SEAL, MECH. FOR PUMP 2250 DICHTUNG, MECH. FÜR PUMPE 2250 JOINT MECANIQUE POUR POMPE 2250 SELLO MECANICO PARA BOMBA 2250	
7	929180	OR POMPA 2250 O-ring PUMP 2250 O-Ring PUMPE 2250 OR POMPE 2250 OR BOMBA 2250	
8	929181	GIRANTE PER POMPA 2250/75-2250 PUMP IMPELLER 2250/75-2250 LAUFRAD, PUMPE 2250/75-2250 ROUE POUR POMPE 2250/75-2250 ROTOR PARA BOMBA 2250/75-2250	
10	929191	CORPO POMPA 2290/2250 PUMP SHELL, 2290/2250 PUMPENGEHAUSE, 2290/2250 CORPS POMPE 2290/2250 CUERPO BOMBA 2290/2250	