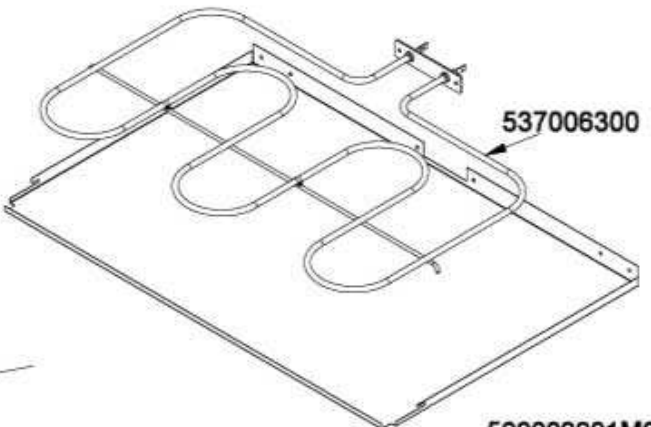
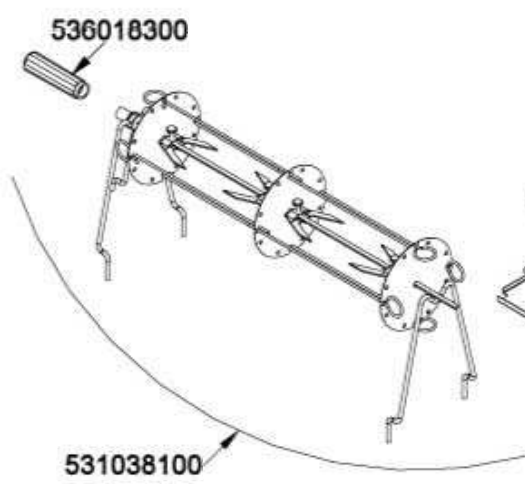
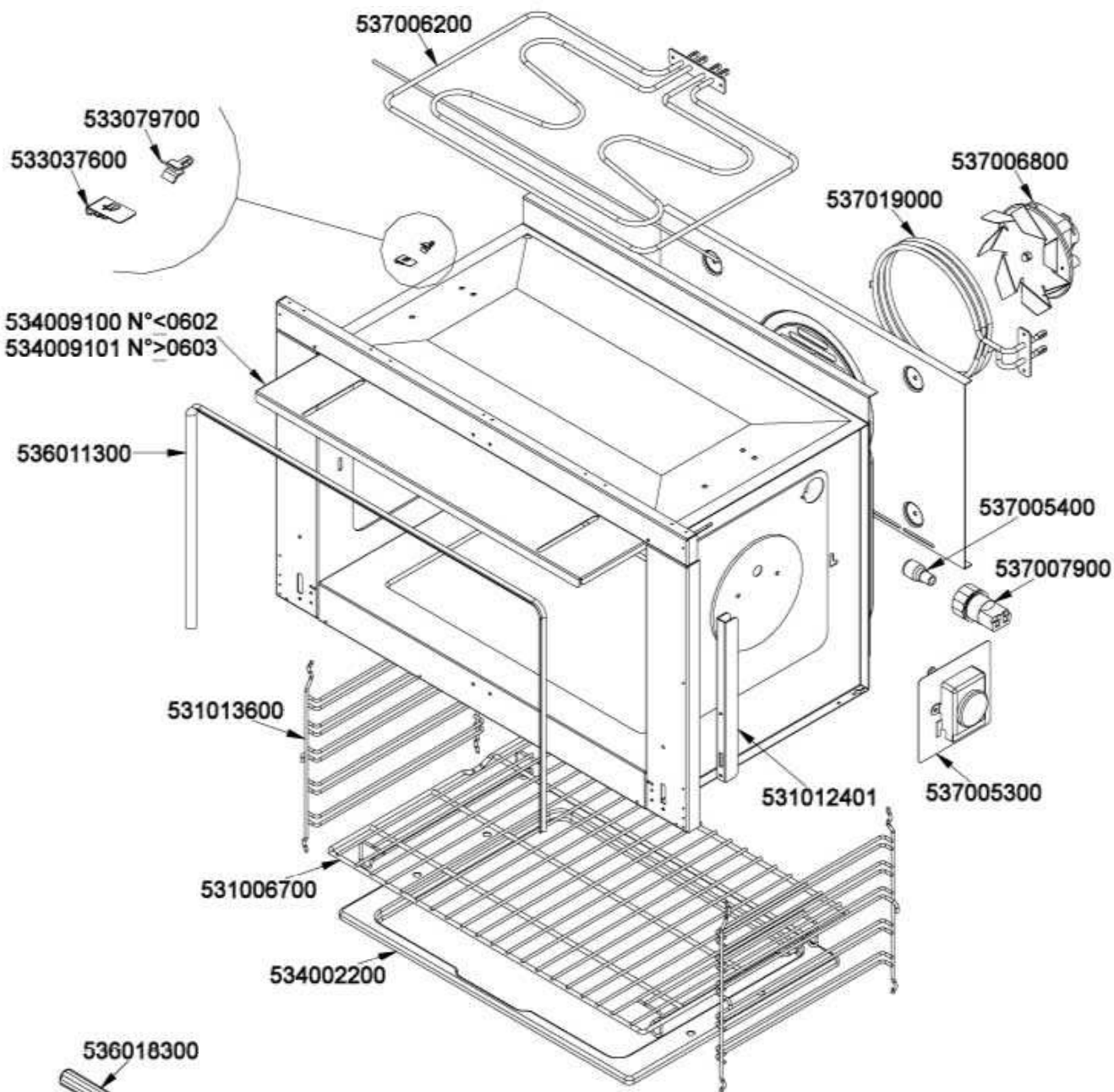
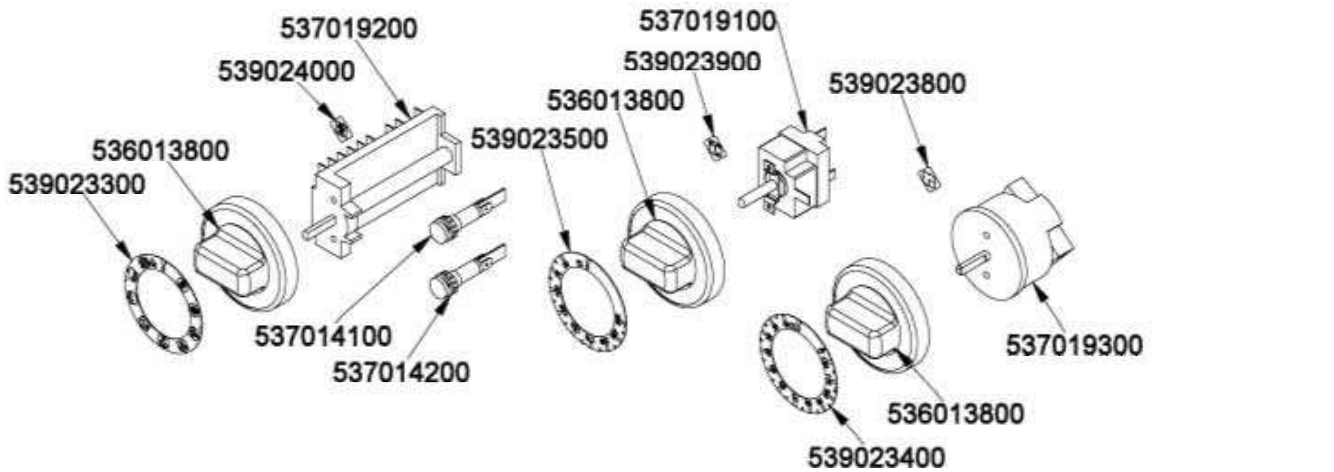
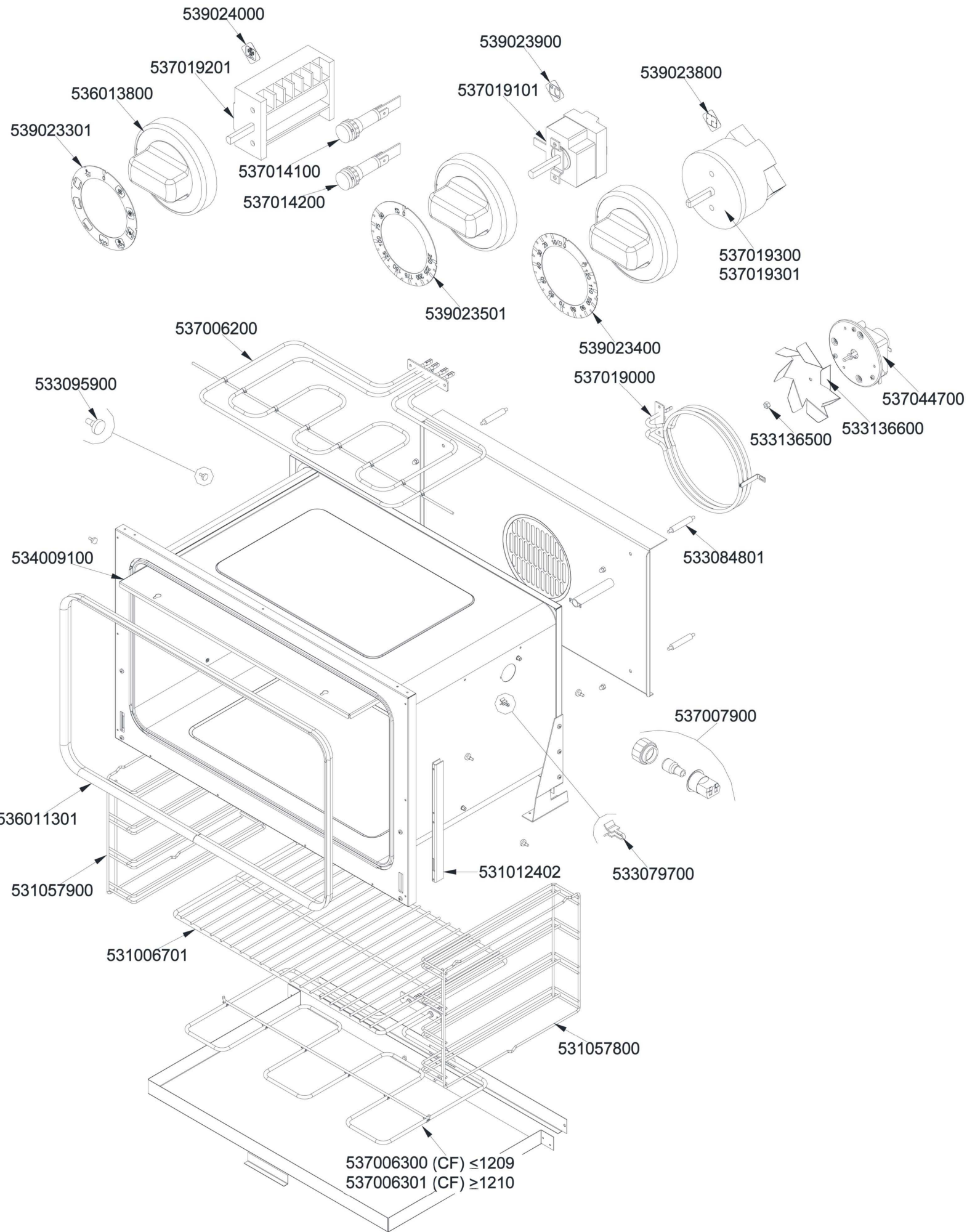
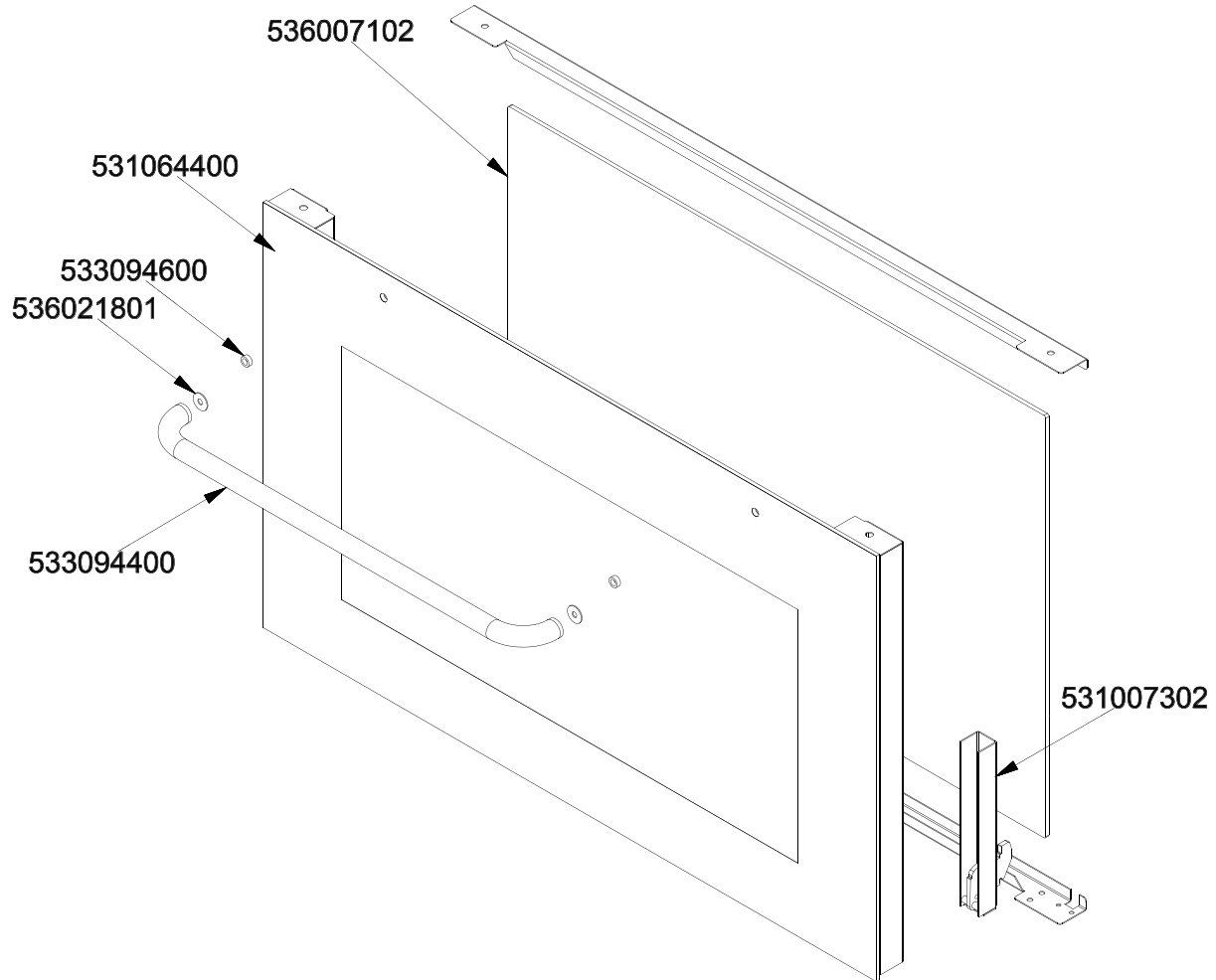


560006500M01P00

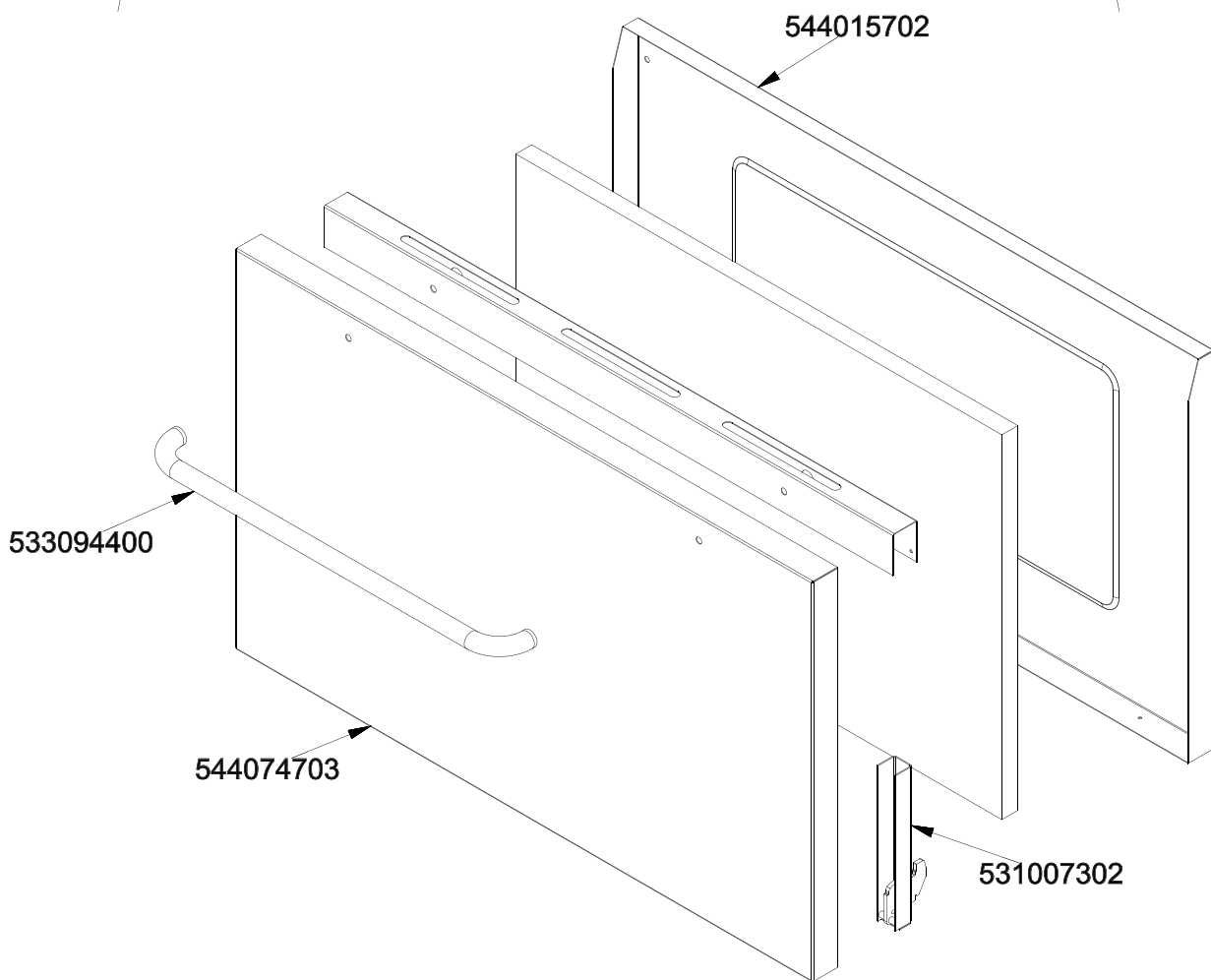




531009602



531012702



531009601

544015900 N° ≤ 0602
544015901 N° ≥ 0603

536007100 N° ≤ 0602
536007101 N° ≥ 0603

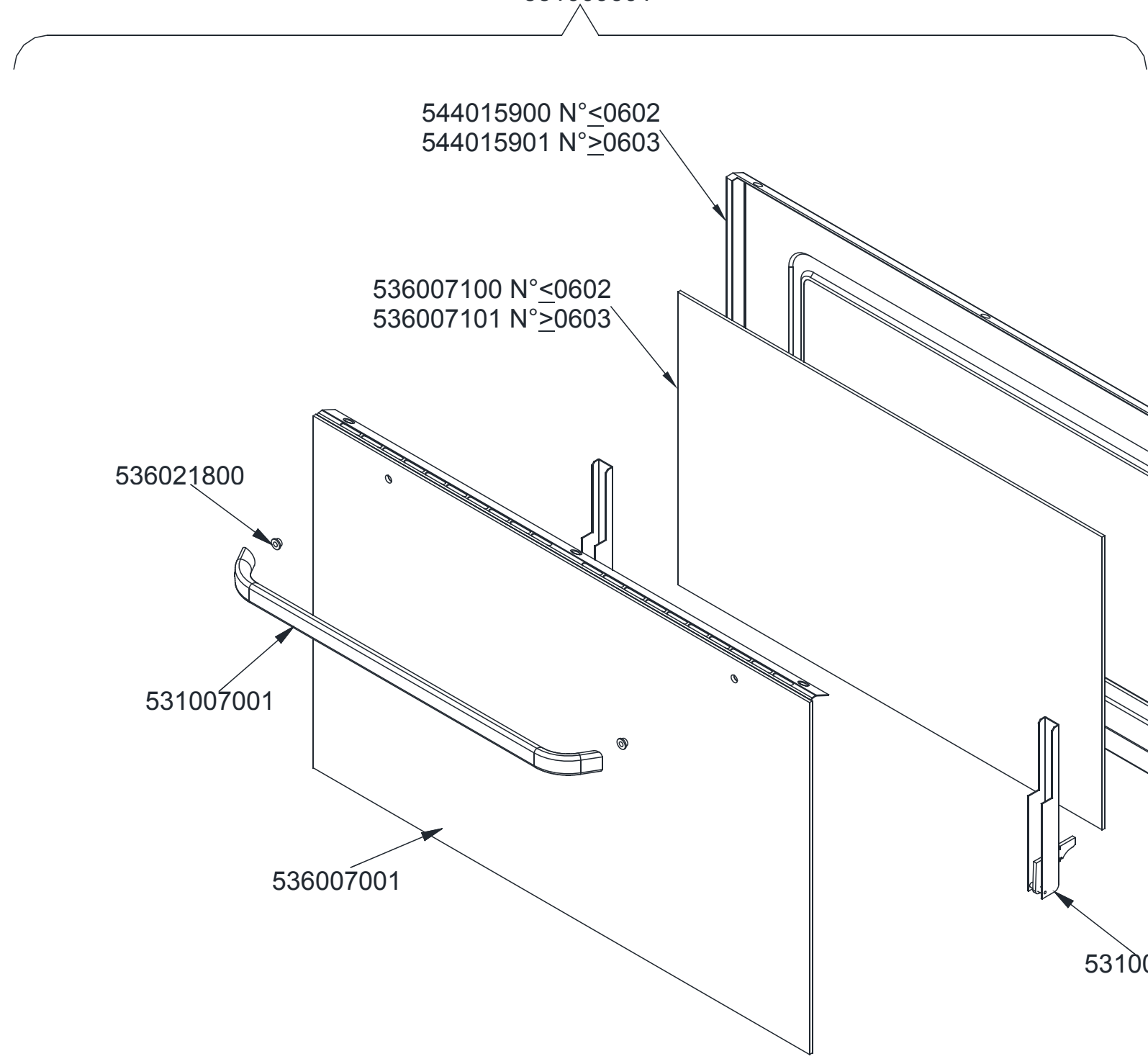
536021800

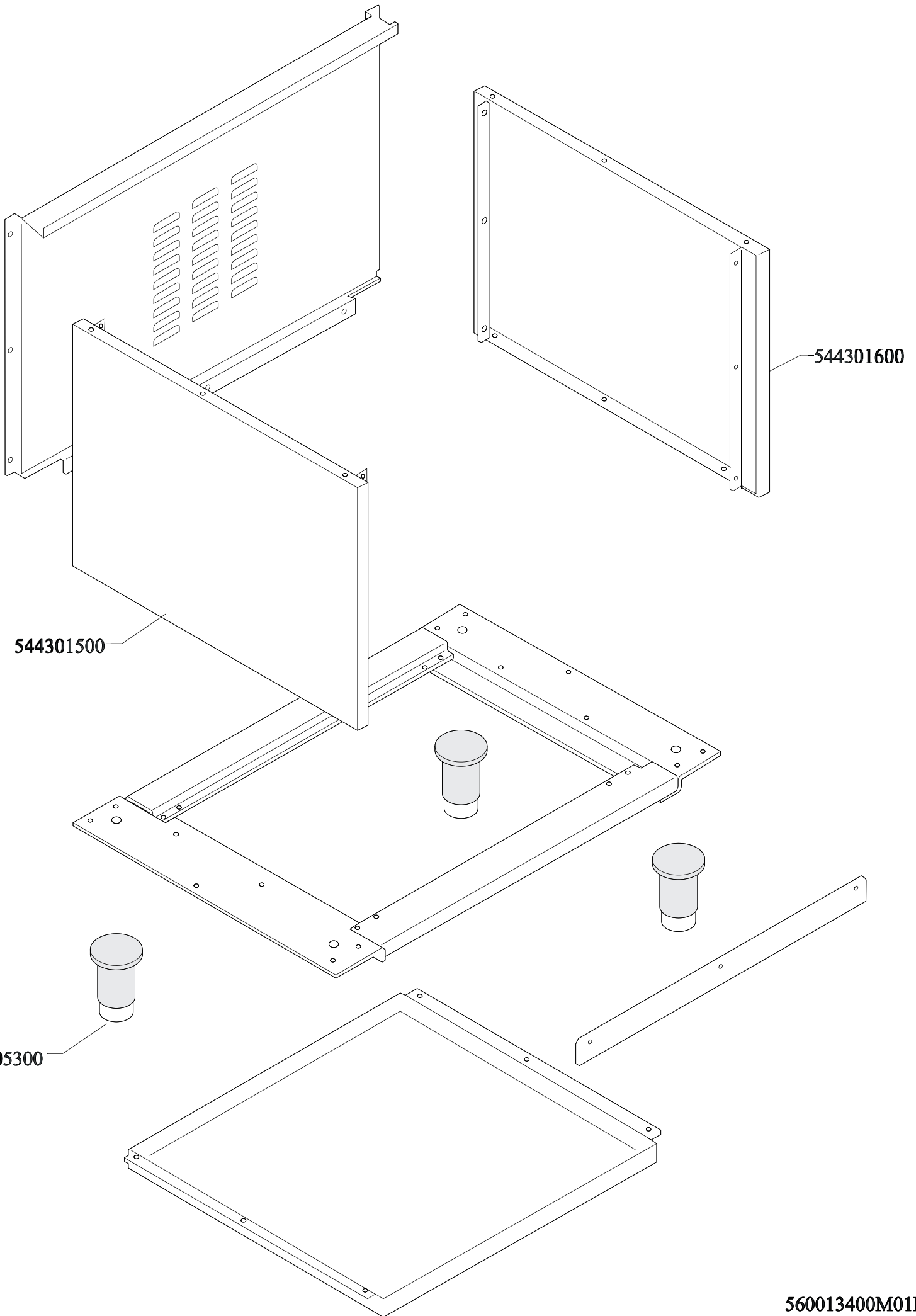
531007001

536007001

531007301

560025300M01P00





Page	Pos	Code	Description
001		541070100	NEUTRAL SPACER 8
001		537002300	ELECTRICAL PLATE D.220 W2000 V230
001		544257400	UPPER PLATE PC-8E
001		544263500	RIGHT SIDE S.65
001		544293600	CONTROL PANEL CF4/CFC4-8ET
001		539018900	INDEX FOR KNOB W/RED SIGN
001		537000300	COMMUTATOR 7 POSITIONS S.49 16A
001		544263600	LEFT SIDE S.65
001		537027400	TERMINAL BLOCK THREEPHASE 40A
001		537014100	WHITE WARNING LIGHT 250V
001		536013800	KNOB D.70 BLACK 6*5 WITH SPRING
001		539018100	ADHESIVE GRADUATED DISC FOR KNOB
002		537019200	SELECTOR FOR MULTIFUNCTION OVEN
002		539024000	SIGN PLATE FOR OVEN SELECTOR
002		537019100	THERMOSTAT FOR MULTIFUNCTION OVEN
002		539023900	SIGN PLATE FOR OVEN TEMPERATURE
002		539023800	LABEL FOR OVEN TIMER
002		537019201	OVEN COMMUTATOR MULTIF.60+65
002		537019101	THERMOSTAT MONOPHAS.050-320°C F.MF
002		536013800	KNOB D.70 BLACK 6*5 WITH SPRING
002		539023301	ADHESIVE GRADUATED*EL.MULTIF.COMM.
002		539023500	ADHESIVE GRAD.DISC *E.MULTIF.TERM.
002		537014100	WHITE WARNING LIGHT 250V
002		537014200	GREEN WARNING LIGHT 250V
002		539023300	ADHESIVE GRADUATED DISC FOR KNOB
002		537019300	TIMER FOR MULTIFUNCTION OVEN
002		537019301	TIMER ELECT.120' 4 T.F. MF
002		539023501	ADHESIVE GRAD.DISC *E.MULTIF.TERM.
002		539023400	ADHESIVE GRADUATED DISC F.KNOB
002		537006200	UPPER OVEN HEATING EL.3000W 230V
002		533095900	PIN FOR GRIDSHOLDER SUPPORT CF 60
002		533079700	LOCK SPRING FOR BULB §3/§4
002		537019000	CIRCULAR HEATING ELEMENT FOR OVEN
002		533037600	LOCK SPRING FOR BULB
002		537044700	S60/65/60T MOTORFAN
002		533136600	OVEN MOTOR OF S60T
002		537006800	FAN FOR MULTIF.OVEN 60/65/60T
002		533136500	NUT FOR FAN S60T
002		533084801	PANEL SPACER OF AIR DIFF.MAXI OVEN
002		534009100	GRILL PROTECTION CF-8/10
002		534009101	
002		536011300	OVEN GASKET 65/60 *OLD MODEL*
002		537007900	OVEN BULB-SOCKET WITH LAMP
002		537005400	OVEN BULB 15W 300°C
002		531012402	DOOR WHEEL HOLDER FOR MAXI OVEN
002		531013600	SIDE GRID FOR MAXI/VENTILATED OVEN
002		536011301	GASKET FOR MAXI 60T-OVEN L=1980
002		531057900	LHD GRIDS HOLDER FOR MAXI-OVEN
002		537005300	MOTOR FOR SPIT CF-8/10
002		531006701	MAXI OVEN GRID FOR S60/65
002		531012401	OVEN DOOR WHEEL HOLDER F.CF-8/10

Page	Pos	Code	Description
002		531006700	OVEN GRID FOR CF-8/10
002		531057800	RHD GRIDS HOLDER FOR MAXI-OVEN
002		534002200	OVEN DRIPPING-PAN CF-8/10
002		537006300	LOWER OVEN HEATING EL.W1600 230CF8/
002		536018300	GRIP FOR ROTATING SPIT
002		537006301	COVERED HEATING ELEMENT MAXI OVEN
002		531038100	SPIT FOR MAXI MULTIF. NEW OVEN
003		537019200	SELECTOR FOR MULTIFUNCTION OVEN
003		539024000	SIGN PLATE FOR OVEN SELECTOR
003		537019100	THERMOSTAT FOR MULTIFUNCTION OVEN
003		539023900	SIGN PLATE FOR OVEN TEMPERATURE
003		539023800	LABEL FOR OVEN TIMER
003		537019201	OVEN COMMUTATOR MULTIF.60+65
003		537019101	THERMOSTAT MONOPHAS.050-320°C F.MF
003		536013800	KNOB D.70 BLACK 6*5 WITH SPRING
003		539023301	ADHESIVE GRADUATED*EL.MULTIF.COMM.
003		539023500	ADHESIVE GRAD.DISC *E.MULTIF.TERM.
003		537014100	WHITE WARNING LIGHT 250V
003		537014200	GREEN WARNING LIGHT 250V
003		539023300	ADHESIVE GRADUATED DISC FOR KNOB
003		537019300	TIMER FOR MULTIFUNCTION OVEN
003		537019301	TIMER ELECT.120' 4 T.F. MF
003		539023501	ADHESIVE GRAD.DISC *E.MULTIF.TERM.
003		539023400	ADHESIVE GRADUATED DISC F.KNOB
003		537006200	UPPER OVEN HEATING EL.3000W 230V
003		533095900	PIN FOR GRIDSHOLDER SUPPORT CF 60
003		533079700	LOCK SPRING FOR BULB §3/§4
003		537019000	CIRCULAR HEATING ELEMENT FOR OVEN
003		533037600	LOCK SPRING FOR BULB
003		537044700	S60/65/60T MOTORFAN
003		533136600	OVEN MOTOR OF S60T
003		537006800	FAN FOR MULTIF.OVEN 60/65/60T
003		533136500	NUT FOR FAN S60T
003		533084801	PANEL SPACER OF AIR DIFF.MAXI OVEN
003		534009100	GRILL PROTECTION CF-8/10
003		534009101	
003		536011300	OVEN GASKET 65/60 *OLD MODEL*
003		537007900	OVEN BULB-SOCKET WITH LAMP
003		537005400	OVEN BULB 15W 300°C
003		531012402	DOOR WHEEL HOLDER FOR MAXI OVEN
003		531013600	SIDE GRID FOR MAXI/VENTILATED OVEN
003		536011301	GASKET FOR MAXI 60T-OVEN L=1980
003		531057900	LHD GRIDS HOLDER FOR MAXI-OVEN
003		537005300	MOTOR FOR SPIT CF-8/10
003		531006701	MAXI OVEN GRID FOR S60/65
003		531012401	OVEN DOOR WHEEL HOLDER F.CF-8/10
003		531006700	OVEN GRID FOR CF-8/10
003		531057800	RHD GRIDS HOLDER FOR MAXI-OVEN
003		534002200	OVEN DRIPPING-PAN CF-8/10
003		537006300	LOWER OVEN HEATING EL.W1600 230CF8/
003		536018300	GRIP FOR ROTATING SPIT

Page	Pos	Code	Description
003		537006301	COVERED HEATING ELEMENT MAXI OVEN
003		531038100	SPIT FOR MAXI MULTIF. NEW OVEN
004		531009602	GLASS DOOR FOR MAXI OVEN OF 600LINE
004		536007102	INTERNAL GLASS OVEN DOOR MAXI
004		531064400	EXTERNAL GLASS MAXI OVEN DOOR+FRAME
004		533094600	BUSH P.F. 60-LINE
004		536021801	DOOR HANDLE SPACER FOR MAXI OVEN
004		533094400	S/S OVEN DOOR HANDLE FOR 60T-LINE
004		531007302	DOOR HINGE FOR MAXI OVEN 60.LINE
004		531012702	STAINLESS STEEL OVEN DOOR 60 LINE
004		544015702	INNER-DOOR FOR MAXI OVEN OF 60LINE
004		544074703	S/S MAXI OVEN DOOR PANEL
005		544015900	INNER GLASSDOOR OF MAXI OVEN
005		544015901	INNER-DOOR FOR MAXI OVEN *GLASS*
005		536007100	INTERNAL GLASS OVEN DOOR CF-8/10
005		536007101	VETRO I.P.F.S60 MAXI 370X620 (S
005		536021800	DOOR HANDLE SPACER FOR MAXI OVEN
005		531007001	OVEN GLASS DOOR HANDLE CF-8/10
005		536007001	EXTERNAL GLASS OVEN DOOR CF8/10
005		531007301	DOOR HINGE FOR MAXI OVEN CF-8/10
006		544301600	RIGHT SIDE FOR 65 RANGE
006		544301500	LEFT SIDE FOR 65 RANGE
006		536005300	PLASTIC LED 2"