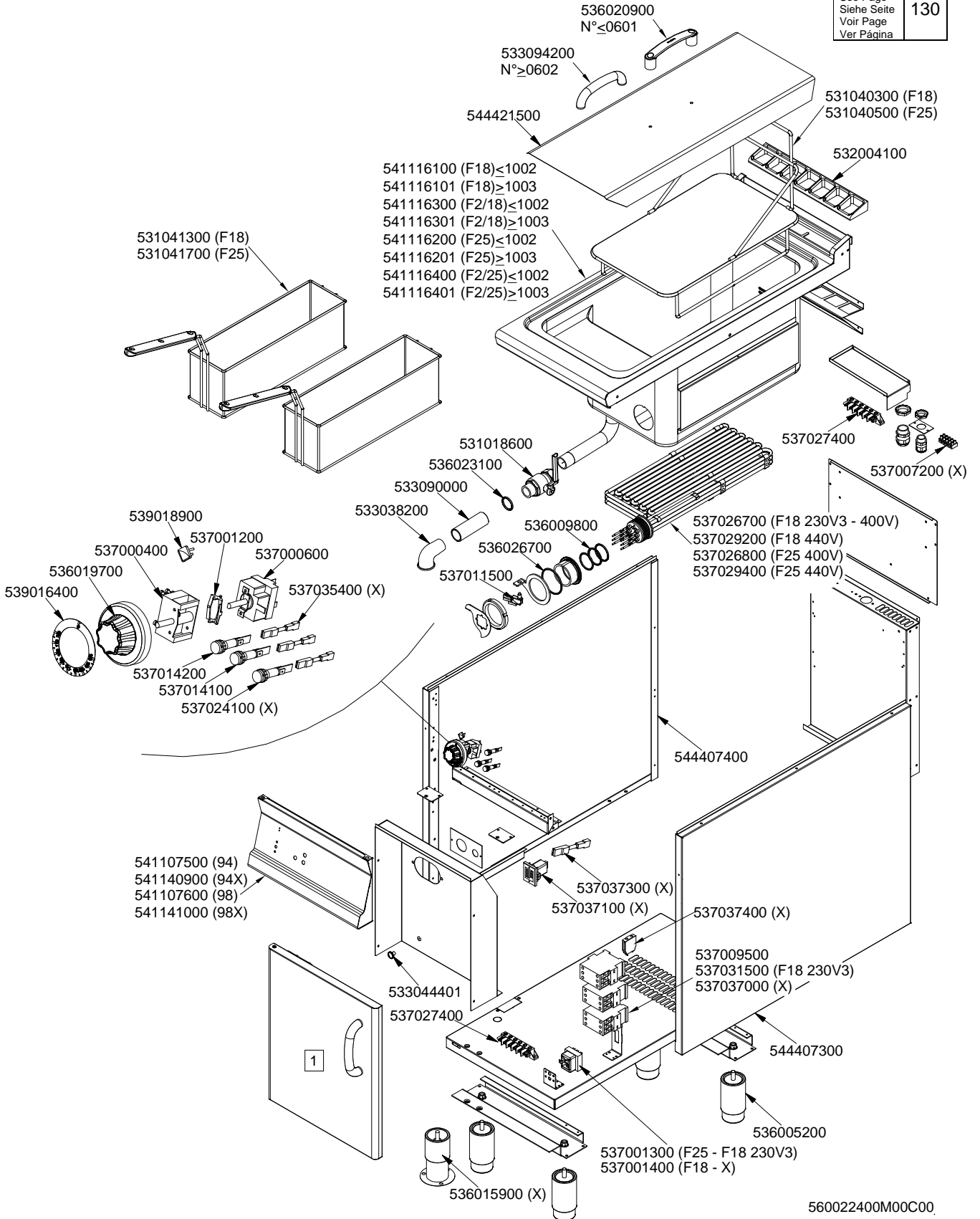


IPERLOTUS 90

ELETTRICO / ELECTRIC / ELEKTRO / ELECTRIQUE

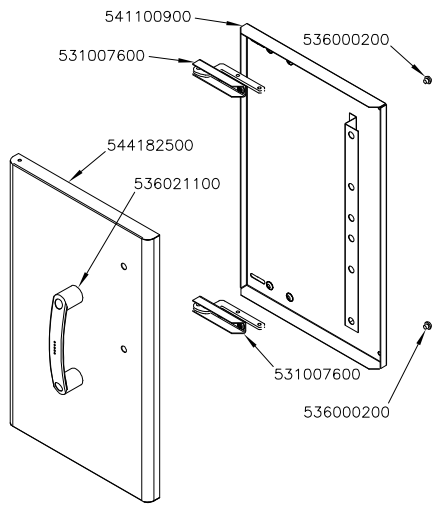
F18-94ET F2/18-98ET F25-94ET F2/25-98ET F18-94ETX F2/18-98ETX F25-94ETX F2/25-98ETX

| | |
|---|-----|
| 1 | |
| Vedi Pagina See Page Siehe Seite Voir Page Ver Pàgina | 130 |

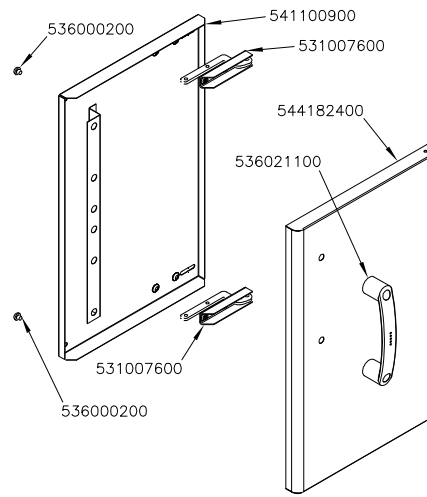


560022400M00C00

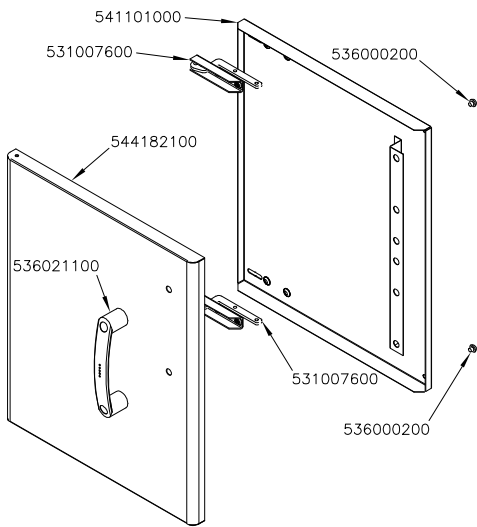
PORTE / DOORS / FLÜGELÜREN / PORTES N°≤0601



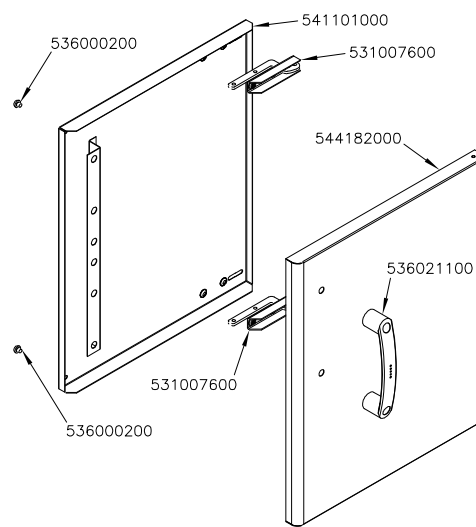
P-73/93 SX



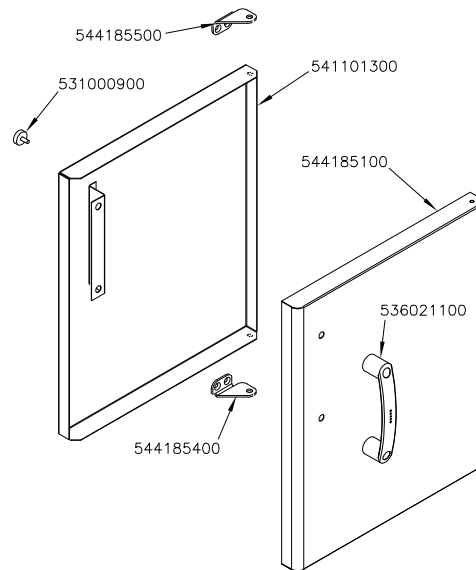
P-73/93 DX



P-74/94 SX



P-74/94 DX



P-74/94 DX CF

560012800M00P00

| Page | Pos | Code | Description |
|------|-----|-----------|-------------------------------------|
| 001 | | 533094200 | S/S HANDLE FOR 70/90 SERIES |
| 001 | | 536020900 | |
| 001 | | 531040500 | TANK FILTER/BASKET SUPPORT F25-94E |
| 001 | | 531041700 | BASKET F25-94G/E 1/2 140X450X150 |
| 001 | | 531018600 | BALL VALVE 1"G M-F CPM-62G |
| 001 | | 536023100 | O-RING GASKET 31,34X3,53 VITON |
| 001 | | 533090000 | |
| 001 | | 544407400 | LEFT SIDE PANEL 70 LINE |
| 001 | | 537027400 | TERMINAL BLOCK THREEPHASE 40A |
| 001 | | 532004100 | FLUE GRID L=370 70LINE (RAF) |
| 001 | | 544421500 | |
| 001 | | 533044401 | M8 THREADED CAP FOR SEC.THERMOSTAT |
| 001 | | 536005200 | INOX LEG 2" 120-180 M10 |
| 001 | | 544407300 | RIGHT SIDE PANEL 90 LINE |
| 001 | | 537026800 | HEATING EL.19500W 230V 3 ROTAT.EL. |
| 001 | | 537029400 | HEATING EL. 19500W 440V 3 ROTAT.EL. |
| 001 | | 537037100 | ACOUSTIC SIGNALLER 230VAC |
| 001 | | 537037400 | NORM.CONTACT*CLOSED TELER.35A |
| 001 | | 537037300 | HEATING ELEMENT 00003W 330KO |
| 001 | | 537007200 | 5POLES TERMINAL BLOCK PA 27 WP NY |
| 001 | | 541140900 | CONTROL PANEL 607090 F13-74ETX |
| 001 | | 541107500 | CONTROL PANEL F13/18-74E |
| 001 | | 537001300 | SAFETY THERMOST.235°C SINGLEPH+NUT |
| 001 | | 536015900 | |
| 001 | | 537009500 | REMOTE CONTROL SWITCH 3RT102 35A 23 |
| 001 | | 537037000 | REMOTE CONTROL SWITCH 35A 400VBOBIN |
| 001 | | 539016400 | ADHESIVE GRADUATED DISC FOR KNOB |
| 001 | | 536019700 | BLACK KNOB §70 PIN §6*5 |
| 001 | | 537000400 | COMMUTATOR 1POS.SINGLEPHASE S49 16A |
| 001 | | 539018900 | INDEX FOR KNOB |
| 001 | | 537001200 | FIXING BRACKET FOR THERMOSTAT/COMM. |
| 001 | | 537000600 | THERMOSTAT 90-180°C SINGLEPHASE |
| 001 | | 537014200 | GREEN WARNING LIGHT 250V |
| 001 | | 537014100 | WHITE WARNING LIGHT 250V |
| 001 | | 537024100 | RED WARNING LIGHT LOW BUD 110V |
| 001 | | 537035400 | HEATING ELEMENT 00003W 330KO |
| 001 | | 533038200 | 1" G M-F ELBOW FITTING |
| 001 | | 537011500 | MICRO-SWITCH 16A |
| 001 | | 536026700 | GASKET O-RING 74,61X3,53 VITON |
| 001 | | 536009800 | GASKET O-RING 47,22X3,53 VITON |
| 001 | | 541116200 | UPPER PLATE F25-94E |
| 001 | | 541116201 | UPPER PLATE F25-94E |
| 002 | | 541100900 | INNER DOOR 73 |
| 002 | | 531007600 | DOOR HINGE |
| 002 | | 536000200 | D.12 H.4 BUMPER |
| 002 | | 544182500 | RIGHT DOOR 73 |
| 002 | | 536021100 | BLACK HANDLE 70LINE + 2RED POINTS |
| 002 | | 531007800 | |
| 002 | | 544182400 | RIGHT DOOR 73 |
| 002 | | 541101000 | INNER DOOR 74 |
| 002 | | 544182100 | LEFT DOOR 74 |

| Page | Pos | Code | Description |
|-------------|------------|-------------|-------------------------------------|
| 002 | | 544182000 | RIGHT DOOR 74 |
| 002 | | 544185500 | UPPER DOOR HINGE FOR COMPARTME CF70 |
| 002 | | 531000900 | MAGNET §22 KG.3 WITH DISK |
| 002 | | 541101300 | RIGHT INNER DOOR 74 CF |
| 002 | | 544185100 | RIGHT DOOR 74 |
| 002 | | 544185400 | LOWER DOOR HINGE FOR COMPARTME CF70 |