

M B M

**SPARE PARTS CATALOGUE
ERSATZTEILKATALOG
CATALOGUE PIECES DETACHEES
CATALOGO PARTI RICAMBIO
CATALOGO DE PIEZAS DE RECAMBIO
CATALOGO PEÇAS DE REPOSICAO**

LOD 305

23-04-2009

LOD 305

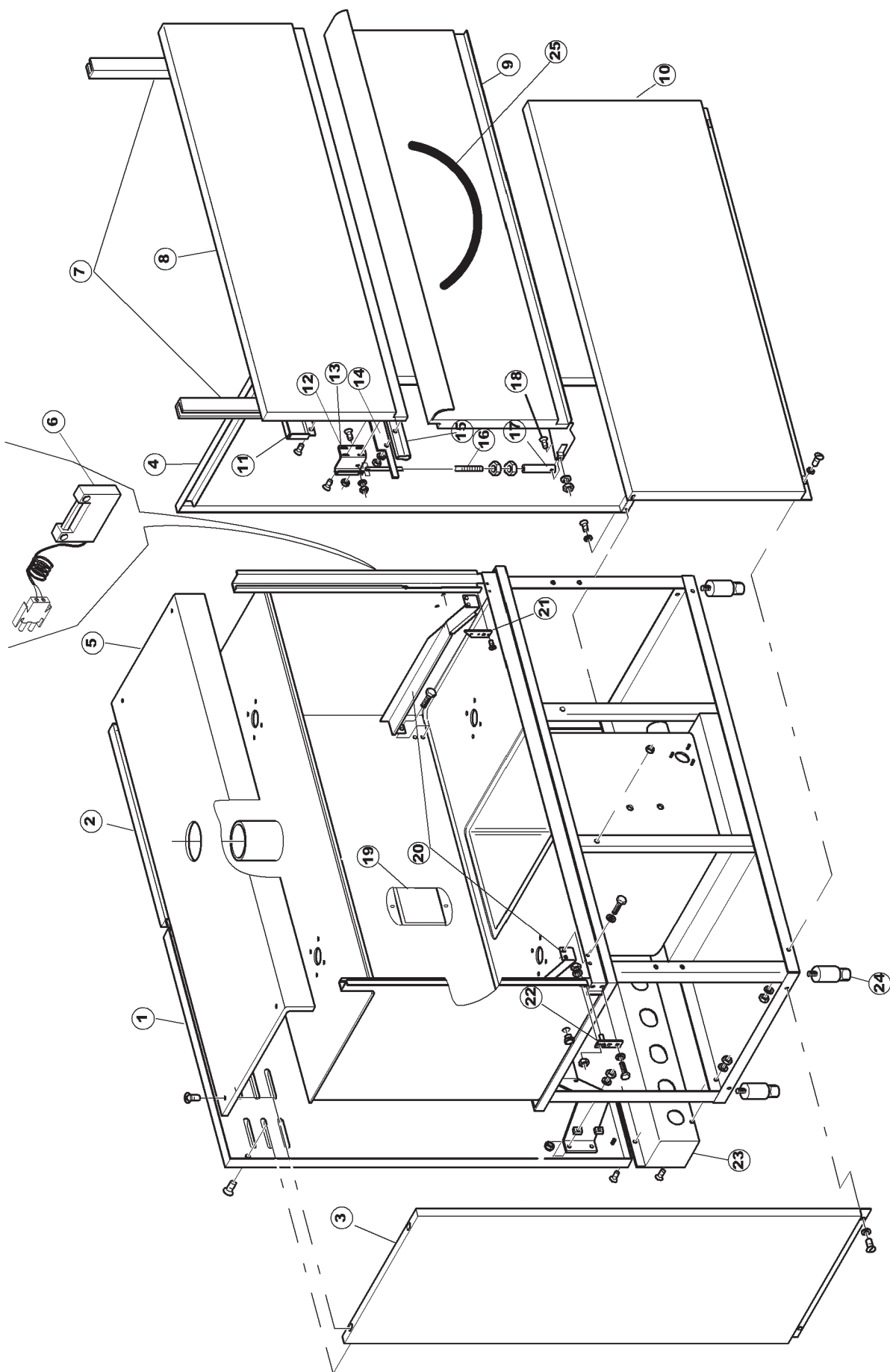
Tav.1: Carrozzeria
Tav.2: Impianto elettrico
Tav.3: Componenti in vasca
Tav.4: Circuito di lavaggio
Tav.5: Circuito di risciacquo
Tav.6: Lance di lavaggio
Tav.7: Pompa di lavaggio

Tav.1: Machine body
Tav.2: Electrical components
Tav.3: Components in the tank
Tav.4: Washing circuit
Tav.5: Rinsing circuit
Tav.6: Washing arms
Tav.7: Washing pump

Tab.1: Carrocería
Tab.2: Instalación eléctrica
Tab.3: Componentes en cuba
Tab.4: Circuito de lavado
Tab.5: Circuito d'enjuague
Tab.6: Brazos de lavado
Tab.7: Bomba de lavado

Tab.1: Carrosserie
Tab.2: Installation électrique
Tab.3: Composants de cuve
Tab.4: Circuit de lavage
Tab.5: Circuit de rinçage
Tab.6: Bras de lavage
Tab.7: Pompe de lavage

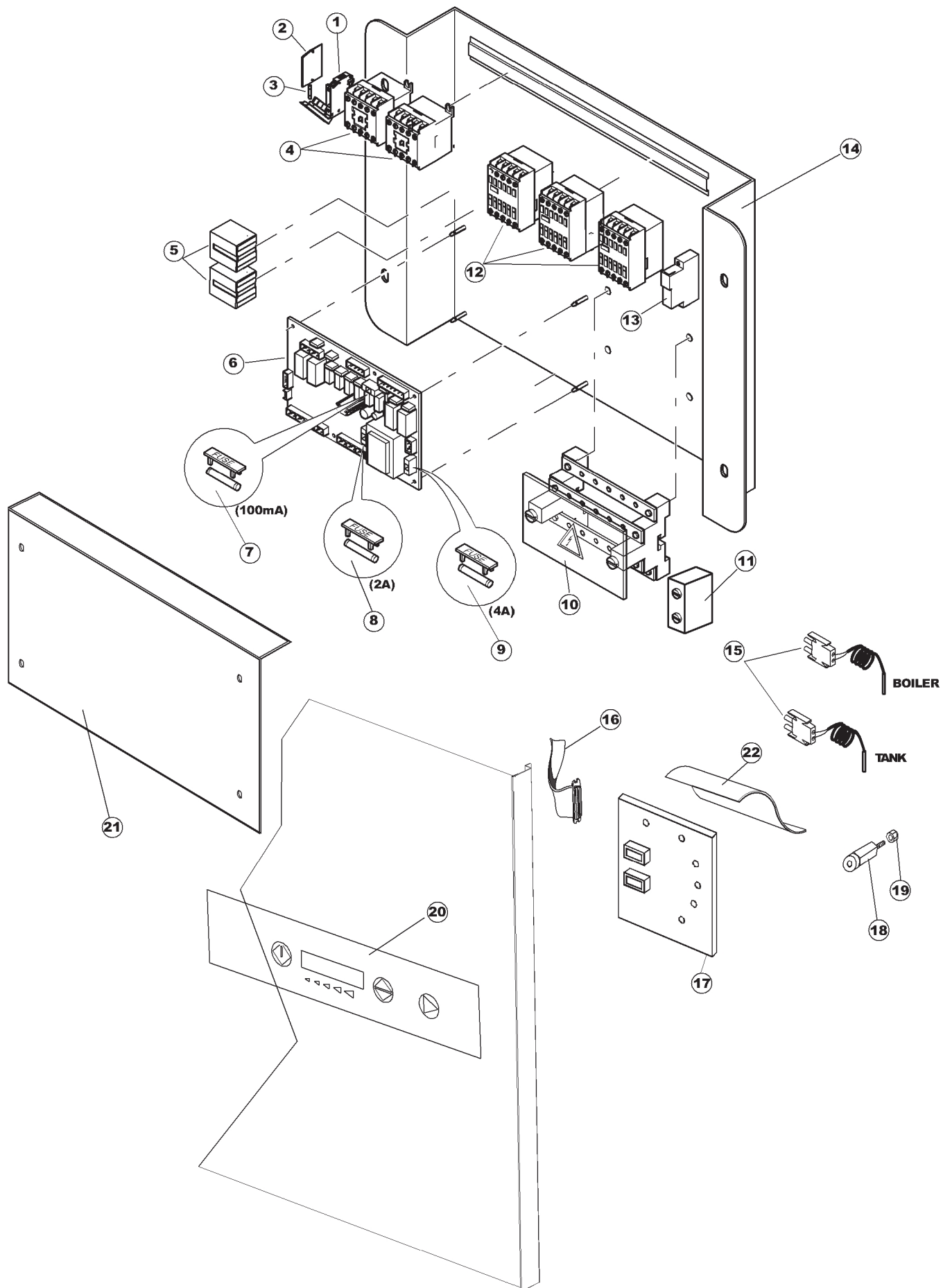
Taf.1: Verkleidung
Taf.2: Elektrische Anlage
Taf.3: Bauteile im Waschtank
Taf.4: Spuelschaltung
Taf.5: Nachspuelschaltung
Taf.6: Wascharme
Taf.7: Spuelpumpe



Pagina 1

1	43622	PANNELLO RETRO REAR PANEL RUECKPANEEL PANNEAU ARRIERE	
3	42511	PANNELLO LATERALE SINISTRO SIDE PANEL - LEFT SEITLICHES PANEEL - LINKS PANNEAU LATERAL - GAUCHE.	
5	43118	PANNELLO SUPERIORE PER LAVAPENTOLE UPPER PANEL FOR POT AND WASHERS OBERPANEEL FUER KOCHTOEPFESPUELER PANNEAU SUPERIEUR POUR LAVE-CASSEROLES	
6	211002AG	CONTATTO MAGNETICO MAGNETIC DOOR SWITCH TUERKONTAK SCHALTER CONTACT MAGNETIQUE	
7	44265	GUIDA PORTA DOOR SLIDING GUIDE TUER-GLEITENDER BAHN - OBEN - GUIDE GLISSANTE PORTE	
8	43377	PORTA SUPERIORE DOOR TUER PORTE	
10	43124	PANNELLO ANTERIORE LP301 COMPLETO	
11	43055	BATTUTA SPORTELLLO SUPERIORE PER LAVAPENT DOOR-LEDGE ANSCHLAG FUER OBERE TUER FUER KOCHTOEPF FEUILLURE PORTE SUPERIEURE POUR LAVE-CAS	
12	4108701	SQUADRA DESTRA AGGANCIO TIRANTE RIGHT BRACKET FOR UPPER DOOR TIE ROD RECHT-HALTER FUER ANKUPPELN DER OBEREN EQUERRE DROITE ACCROCHAGE TIRANT	
13	4108801	SQUADRETTA SINISTRA AGGANCIO TIRANTE LEFT BRACKET FOR UPPER DOOR TIE ROD LINK-HALTER FUER ANKUPPELN OBEREN EQUERRE DROITE ACCROCHAGE TIRANTE PORTE	
14	43058	SUPPORTO GUARNIZIONE SPORTELLLO SUPERIORE DOOR PACKING SUPPORT - UPPER FOR POT AND TUERDICHTUNGSHALTERUNG - OBEN FUER KOCHT SUPPORT JOINT PORT SUPERIEUR POUR LAVE-C	
15	41247	GUARNIZIONE SPORTELLLO LAVAPENTOLE POT AND PAN WASHER DOOR PACKING DICHTUNG FUER TUER DER KOCHTOEPFESPUELER JOINT PORTE LAVE-CASSEROLES	
16	44593	TIRANTE PORTA DOOR LEVER HEBEL TUER MONT TIRANT PORTE	
17	41095	BOCCOLA SUPERIORE TIRANTE SPORTELLLO PER UPPER BUSH FOR DOOR TIE FOR POT AND PAN OBERE BUCHSE FUER TUER-ZUGSTANGE FUER KO BOUCLE SUPERIEURE TIRANT PORTE POUR LAVE	
18	486078	VITE IN ACCIAIO INOSSIDABILE SPEC. STAINLESS STEEL SCREW 6MAX30 T.1/2 TC SCHRAUBE AUS NICHTROSTENDEM STAHL 6MAX30 VIS EN ACIER INOXYDABLE 6MAX30 T.1/2 TC	
19	43527	PROTEZIONE GUARD SCHUTZVERKLEIDUNG PROTECTION	
20	42539	GUIDA CESTO RACK GUIDE KORBFUEHRUNG COULISSE PANIER	

21	4113501	SPESSORE LATERALE SPORTELLI DX/SX DOOR SIDE THICKNESS - DX/SX DICKUNG - SEITLICH - DER TÜR - DX/SX ÉPAISSEUR LATERAL PORTE DX/SX	
22	4114501	PIASTRINA PERNO SPORTELLI PER LAVAPENTOL SMALL PLATE FOR DOOR PIN FOR POT AND PAN PLÄTCHEN FUER ZÄPFEN TÜR FUER KOCHTÖPF PLAQUE PETITE POUR PIVOT PORTE POUR LAVE	
23	43523	PANNELLO RETRO INFERIORE REAR PANEL RUECKPANEEL Panneau Arrière	
24	927006	PIEDE IN ACCIAIO INOSSIDABILE 2" M.H=85 STAINLESS STEEL FOOT 2" M.H=85 C/F+P.125 FUß AUS NICHTROSTENDEM STAHL 2" M.H=85 VERRIN -ACIER INOXYDABLE 2" M.H=85 C/F+	



Pagina 2

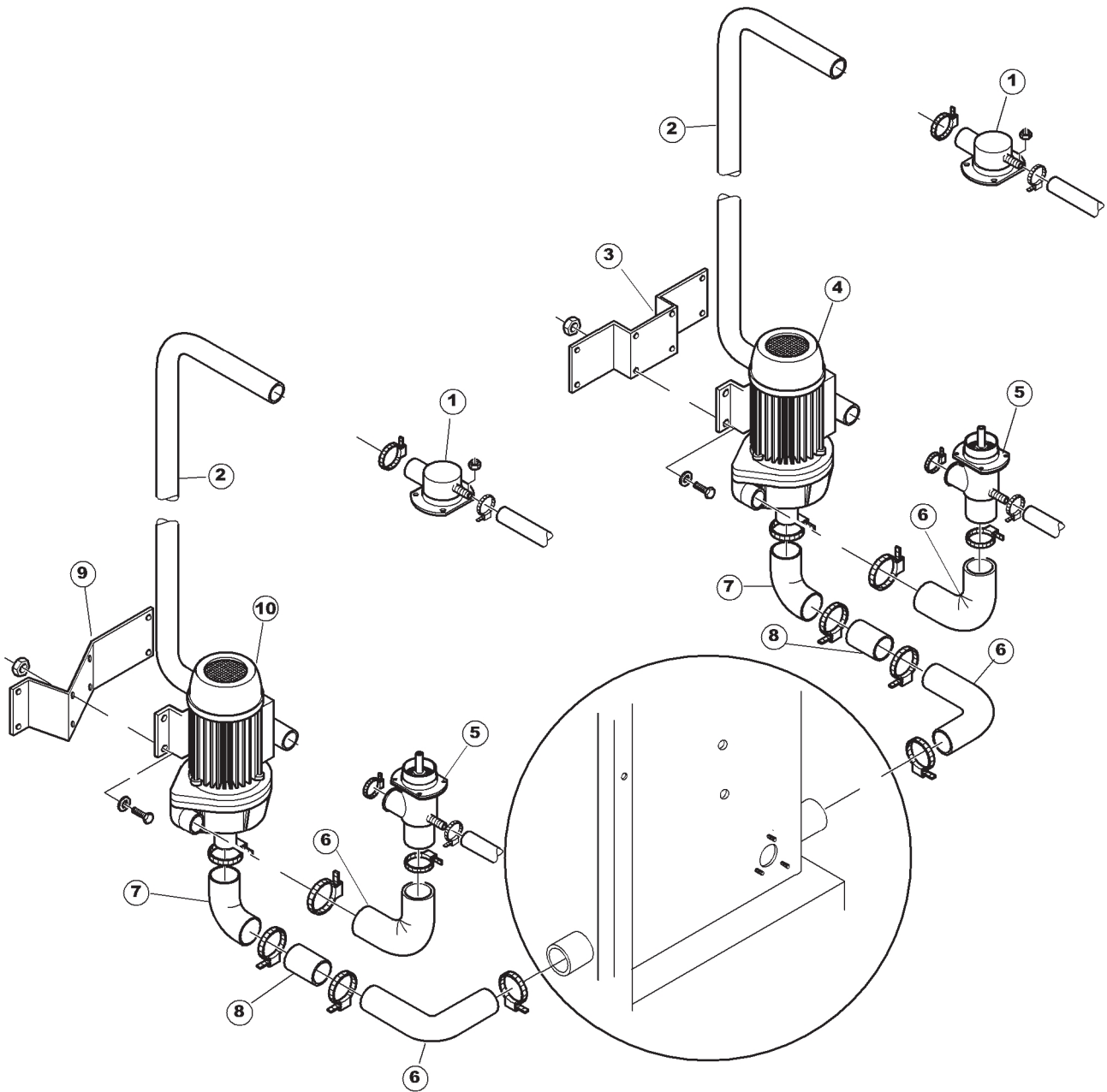
1	H.228047	PORTAFUSIBILE FUSE-HOLDER SICHERUNGSHALTER PORTE FUSIBLE	
2	H.228048	CHIUSURA PORTA FUSIBILE FUSEBOX LID VERSCHLUSS SICHERUNGSHALTER FERMETURE PORTE FUSIBLE	
3	228004	FUSIBILE 5X20 4A FAST FUSE SICHERUNG FUSIBLE	
4	80350	CONTATTORE 230/50-60HZ CONTACTOR 230-50/60HZ KONTAKT-GEBER 230-50/60HZ CONTACTEUR 230-50/60HZ	
5	929115	RELE 16A FIN 6282/230AC RELAY 16A 230V 6282 RELAIS 16A 230V 6282 RELAIS 16A 230V 6282	
6	215032	SCHEDA ELETTRONICA GET50 MAIN BOARD KARTE CARTE ELECTRONIQUE	
7	80873	FUSIBILE 100MA 250V FUSE 100MA 250V SCHMELZSICHERUNG 100MA 250V FUSIBLE 100MA 250V	
8	80874	FUSIBILE 2A 250V FUSE 2A 250V SCHMELZSICHERUNG 2A 250V FUSIBLE 2A 250V	
9	80875	FUSIBILE 4A 250V (OMEGA) FUSE 4A 250V SCHMELZSICHERUNG 4A 250V FUSIBLE 4A 250V	
12	80351	CONTATTORE 230/50-60HZ CONTACTOR 230-50/60HZ KONTAKT-GEBER 230-50/60HZ CONTACTEUR 230-50/60HZ	
13	DEI4	CONTATTO AUSILIARIO (3RH1921-1DA11) AUXILIARY CONTACT (3RH1921-1DA11)	
15	231014	SONDA TEMPERATURA GET-5 TEMP. PROBE KUGEL SONDE	
16	80933	CAVO FLAT COMANDI SUPERIORI CAPOT CABLE FLAT CAPOT KABEL FLAT TRISSE LIAISON	
17	80900	TASTIERA COMANDI PER LAVASTOVIGLIE CONTROL KEYBOARD FOR DISHWASHERS BEDINGUNGEN-TESTENBRETT FUER GESHIRRSPUE TABLEAU A POUSSOIRS COMMANDES POUR LAVE	
18	419036	DISTANZIALE M3 INTERFACE BOARD DISTANCE KEEPERS ABSTANDSROHR ENTRETOISE X CARTE ELECTRONIQUE	
19	417119	DADO M3 PLASTICA BIANCO NUT M3 NYLON MUTTER M3 NYLON ECROU M3 NYLON	
20	41511	POLIESTERE LOD 202-302-304-305	

22	69810	TENDINA COPERTURA TASTIERA PANNELLO CURTAIN VORHANG RIDEAU	
----	-------	---	--

Pagina 3

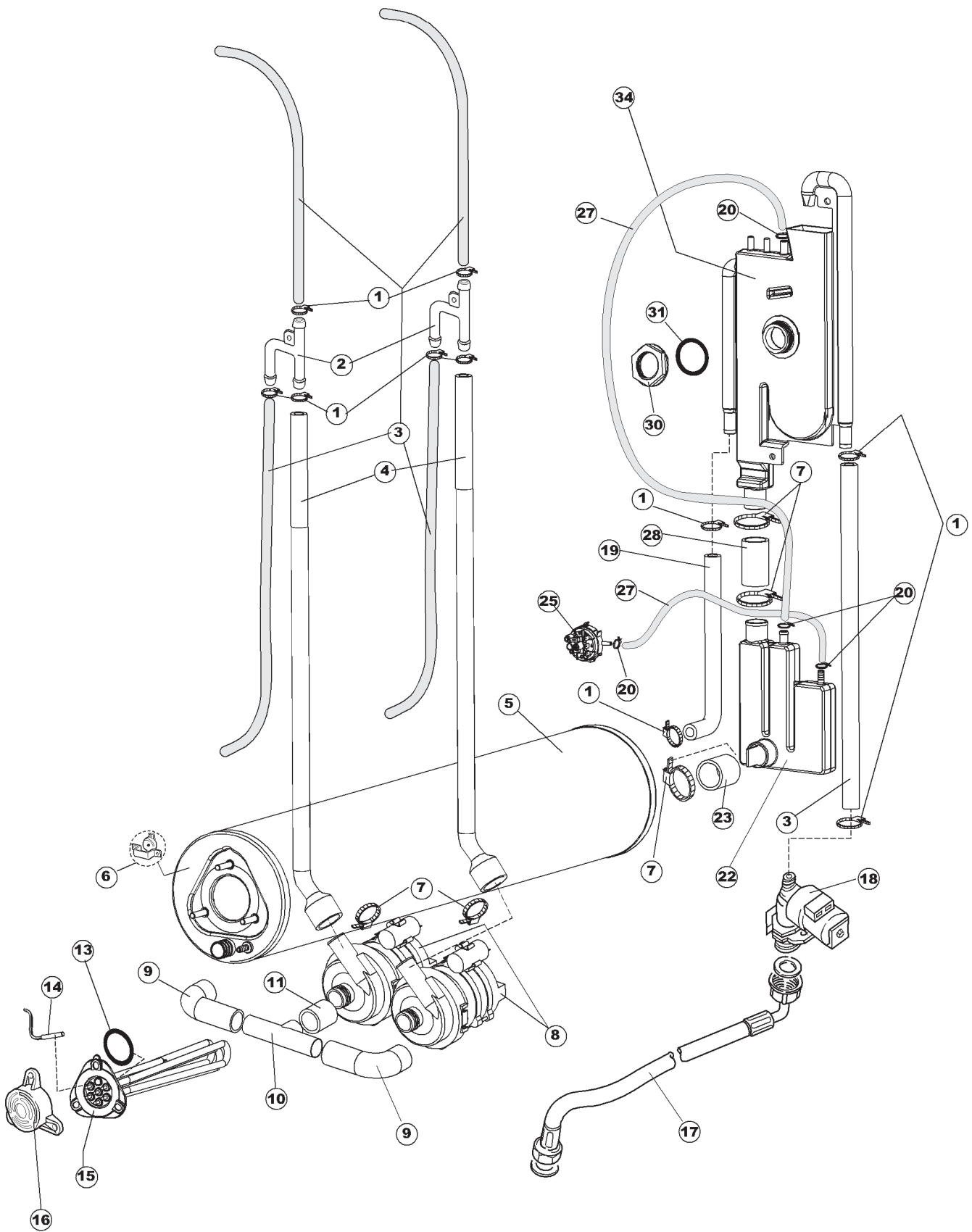
1	43039	FILTRO VASCA COMPLETO PER LAVAPENTOLE TANK FILTER, ASSY FOR POT AND PAN WASHER TANKSIEB, KOMPLETT FUER KOCHTOEPFESPUELE FILTRE CUVE COMPLET POUR LAVE-CASSEROLES	
2	43044	FILTRO VASCA A CASSETTO COMPLETO PER TANK FILTER, ASSY FOR POT AND PAN WASHER TANKSIEB, KOMPLETT FUER KOCHTOEPFESPUELE FILTRE CUVE COMPLET POUR LAVE-CASSEROLES	
3	472061	RONDELLA X GUIDA CESTO CL.3 FIXING WASHER (RACK TRACK) UNTERLEGSCHIBE BEFESTIGUNG KORBFUEHRUNG RONDELLE FIX. GLISSIERES PN X3	
4	42092	GUIDA FILTRO ASPIRAZIONE PER LAVAPENTOLE ASPIRATION FILTER SLIDE FOR POT AND PAN ABSAUGSPUMPENSIEB FUER KOCHTOEPFESPUELER GUIDE FILTRE ASPIRATION POUR LAVE-CASSER	
5	42089	FILTRO ASPIRAZIONE POMPA PER LAVAPENTOLE ASPIRATION PUMP FILTER FOR POT AND PAN W ABSAUGSPUMPENSIEB FUER KOCHTOEPFESPUELER FILTRE ASPIRATION POMPE POUR LAVE-CASSER	
6	42181	TROPPOPIENO IN ACCIAIO INOSSIDABILE, COM STAINLESS STEEL OVERFLOW PIPE FOR POT AN UEBERLAUFROHR AUS NICHTRSOTENDEM STAHL F TROPPEIN EN ACIER INOXYDABLE , COMPLET	
7	42185	PILETTA COMPLETA IN ACCIAIO INOSSIDABILE DRAIN PIPE, ASSY -STAINLESS STEEL- 1"1/ ABFLUSSROHR, KOMPLETT AUS NICHT ROSTENDE TUYAU DE DRAINAGE COMPLET EN ACIER INOXY	
8	926049	PRESSOSTATO TIPO 180-70 PRESSURE SWTCH TYPE 180-70 (S6533) DRUCKWAECHTER TYP 180-70 PRESSOSTAT TYPE 180-70	
9	143253	TUBO SILICONE 3X8 SILICON PIPE 3X8 SILIKONSCHLAUCH 3X8 TUYAU SILICONE 3X8	
10	456002	O-RING PER RESISTENZA BOILER O-RING FOR BOILER RESISTANCE (S6218) O-RING FUER HEIZUNG DES WARMWASSER- BERE O-RING RESISTANCE SURCHAUFFEUR	
11	80398	RESISTENZA 9500W 230/400V HEATING ELEMENT 9500W 230/400V HEIZUNG 9500 230/400V RESISTANCES 9500W 230/400V	
12	209022	DOSAT PERIST.DETERGENTE NON REG. PERISTALTIC DISPENSER PERISTALTJSCHES DOSIERGERAET DOSEUR PERISTALTIQUE	Optional
13	209024	DOSAT PERIST.BRILLANTANTE NON REG. PERISTALTIC DISPENSER PERISTALTJSCHES DOSIERGERAET DOSEUR PERISTALTIQUE	Optional
14	H.775601	TUBO 4x6 CRISTAL BLUE (FX NUOVA) BLUE HOSE 4X6 LEITUNG 4x6 CRISTAL BLUE TUYAU 4x6 CRISTAL BLUE	
15	468200	RACCORDO ACCIAIO INOX AISI316 1/8" STAINLESS STEEL CONNECTION AISI316 1/8" ANSCHLUSSSTUECK AUS NICHTROSTENDEM STAHL RACCORD EN ACIER INOXYDABLE 1/8"	
16	468201	RACCORDO CALZATUBO PER INIEZ.BRILL. CONNECTION ANSCHLUSS RACCORD	
17	143005	TUBO IN GOMMA TELATA 5X12 NERO LINEN RUBBER PIPE 5X12 - BLACK SCHLAUCH AUS LINENGUMMI 5X12 - SCHWARZ TUYAU EN CAOUTCHOUC LIN 5X12 NOIR	

18	423010	FASCETTA A VITE TORRO W2 8 -12/7 SCREW-CLAMP TORRO W2 8-12/7 SCHRAUBE-SHELLE TORRO W2 8-12/7 COLLIER A VIS TORRO W2 8-12/7	
19	121075	FILTRO PER POMPA DETERSIVO DETERGENT PUMP FILTER (S6754) SIEB FUER SPUELMITTELpumpe FILTRE POUR POMPE DETERGENT	
20	SPP4	TUBO IN PLASTICA 4X6 PLASTIC HOSE 4X6 PLASTIKSCHLAUCH 4X6 TUYAU EN PLASTIQUE 4X6	
21	468151	RACCORDO IN ACCIAIO INOSSIDABILE DI ENTR STAINLESS STEEL INLET DETERGENT ELBOW, A ANSCHLUSSSTUECK AUS NICHTROSTENDEM STAHL RACCORD EN ACIER INOXYDABLE ENTREE' DETE	
22	CFF10073	FASCETTA A FILO 10073 COLLIER DE SERRAGE EN FIL D'ACIER 10073 SCHLAUGSCHELLE AUS DRAHT 10073 WIRE HOSECLAMP 10073	
23	417120	DADO PLASTICA GRIGIO PLASTIC NUT KUNSTSTOFFMUTTER 1-1/4 ECROU EN PLASTIQUE	
24	437098	GUARNIZIONE NUOVA CAMP.PRESS. PACKING FOR AIR TRAP OF PRESSURE SWITCH DICHTUNG FUER WINDKESSEL DES DRUECKWVAEC JOINT PRISE D'AIRE PRESSOSTAT	
25	107012	CAMPANA PRESSOSTATO (L) RV40-50-CAPOTE AIR TRAP WINDKESSEL PRISE D'AIR	



Pagina 4

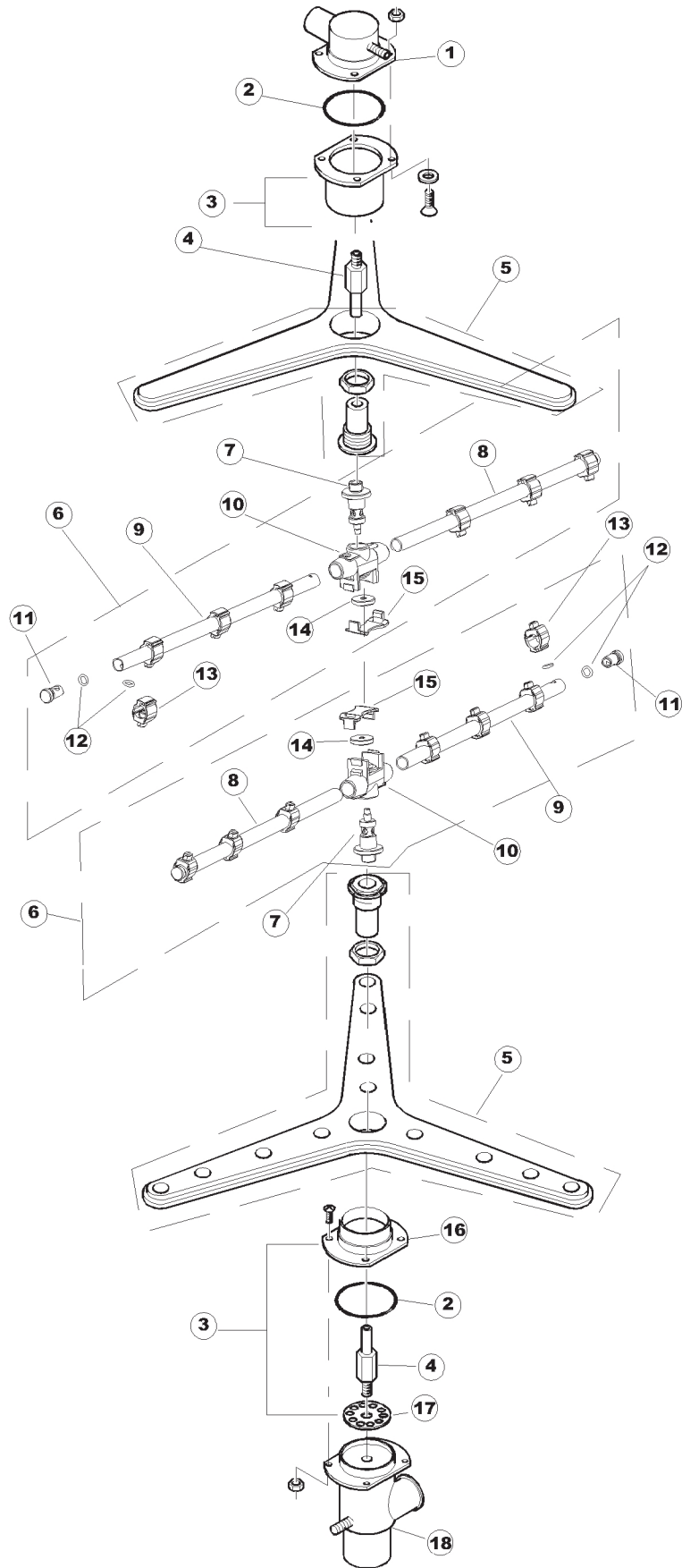
1	4205901	RACCORDO LANCIA DI LAVAGGIO SUPERIORE, CONNECTION WASH ARM - UPPER, ASSY FOR PO WASCHARMVERBINDUNGSSTUECK - OBEN - FUER RACCORD RAMPE DE LAVAGE SUPERIEUR, COMPL	
2	43555	TUBO PIPE ROHR TUYAU	
4	929174	ELETTROPOMPA 4HP 230/400-50 ELECTROPUMP 4HP 230/400-50 (2250/C) MOTORPUMPE 4HP 230/400-50 MOTOPOMPE 4HP 230/400-50	
5	4206301	RACCORDO LANCIA DI LAVAGGIO INFERIORE PE WASH-ARM CONNECTION - LOWER - FOR POT AN ANSCHLUSSTUECK FUER WASCHARM - UNTEN - K RACCORD RAMPE DE LAVAGE INFERIEURE POUR	
6	929164	GOMITO IN GOMMA P2703 SAIAG RUBBER ELBOW HOSE P2703 SAIAG (A2149) SCHLAUCHBOGEN AUS GUMMI P2703 SAIAG DURITE'A COUDE EN CAOUTCHOUC P703 SAIAG	
7	929056	DISTRIBUZIONE IN PLASTICA CON SISTEMA PLASTIC WASH-DISTRIBUTION WITH ANTI-STEAM WASCHVERTEILUNG AUS PLASTIK MIT GEGEN- DISTRIBUTION LAVAGE EN PLASTIQUE AVEC	
8	929165	TRONCHETTO IN ACCIAIO INOSSIDABILE D60 M STAINLESS STEEL PIPE D60 MM.92 SCHLAUCHSTUECK AUS NICHTROSTENDEM STAHL PIECE TUYAU EN ACIER INOXYDABLE D60 MM.9	
9	42316	SUPPORTO POMPA DI RISCIAQUO PER LAVAPEN RINSE AID PUMP SUPPORT FOR POT AND PAN W HALTER FUER NACHSPULUNGSPUMPE FUER KOCHT SUPPORT POMPE DE RINCAGE POUR L'AVE-CASSE	
10	929175	ELETTROPOMPA 4HP 230/400-50 ELECTROPUMP 4HP 230/400-50 (2250/C) MOTORPUMPE 4HP 230/400-50 MOTOPOMPE 4HP 230/400-50	



Pagina 5

1	927322	FASCETTA NASTRO 12-22 TAPE CLAMP 12-22 BANDSCHELLE 12-22 COLLIER POUR BANDE 12-22	
2	143173	GIUNZIONE DI RISCIAQUO Y-JUNCTION RINSE MANIFOLD Y-STUECK RACCORD DE RINAGE	
3	143010	TUBO IN GOMMA 12X19,5 RUBBER PIPE 12X19,5 GUMMISCHALUCH 12X19,5 TUYAU EN CAOUTCHOUC 12X19,5	
4	41525	TUBO MANDATA RISCIAQUO (CRP) RINSE DELIVERY TUBE(CRP) NACHSPUEL-FOERDERLEITUNG (CRP) TUYAU DE REFOULEMENT RINAGE (CRP)	
5	43550	BOILER 17 LITRI	
6	926189	TERMOSTATO DI SICUREZZA A CONTATTO (2360) CONTACT SAFETY-THERMOSTAT (REPLACES FORM KONTAKT-SICHERUNGSTHERMOSTAT (236039) THERMOSTAT DE SURETE' A CONTACT (236039)	
7	CFS18	FASCETTA A VITE TORRO 20-32/9 CLAMP 20-32/9 SCHELLE COLLIER 20-32/9	
8	80627	ELETTROPOMPA 200W 230V-1PH-50HZ PUMP PUMPE POMPE	
9	43565	TUBO PIPE ROHR TUYAU	
10	43560	MANICOTTO INOX COUPLING MUFFE MANCHON	
11	43564	MANICOTTO COUPLING MUFFE MANCHON	
13	456002	O-RING PER RESISTENZA BOILER O-RING FOR BOILER RESISTANCE (S6218) O-RING FUER HEIZUNG DES WARMWASSER- BERE O-RING RESISTANCE SURCHAUFFEUR	
14	231014	SONDA TEMPERATURA GET-5 TEMP. PROBE KUGEL SONDE	
15	80398	RESISTENZA 9500W 230/400V HEATING ELEMENT 9500W 230/400V HEIZUNG 9500 230/400V RESISTANCES 9500W 230/400V	
16	467002	PROTEZIONE RESISTENZA BOILER BOILER HEATING ELEMENT PROTECTION HEIZUNGSSCHUETZ DES WARMWASSERBEREITERS PROTECTION RESISTANCE BOILER	
17	929169	TUBO DI CARICO TERMOPLASTICO VDE (3/4 X THERMOPLASTIC INLET HOSE VDE (A2096) THERMOPLASTISCHER ZULAUFSCHLAUCH VDE TUYAU DE CHARGEMENT THERMOPLASTIQUE VDE	
18	240018	ELETTROVALVOLA DI CARICO - 1 VIA CRP ONE-WAY "CRP" FILL SOLENOID VALVE "CRP" WASSERZUFUHR-EINWEGMAGNETVENTIL ELECTROVANNE D'ALIMENTATION "CRP"	

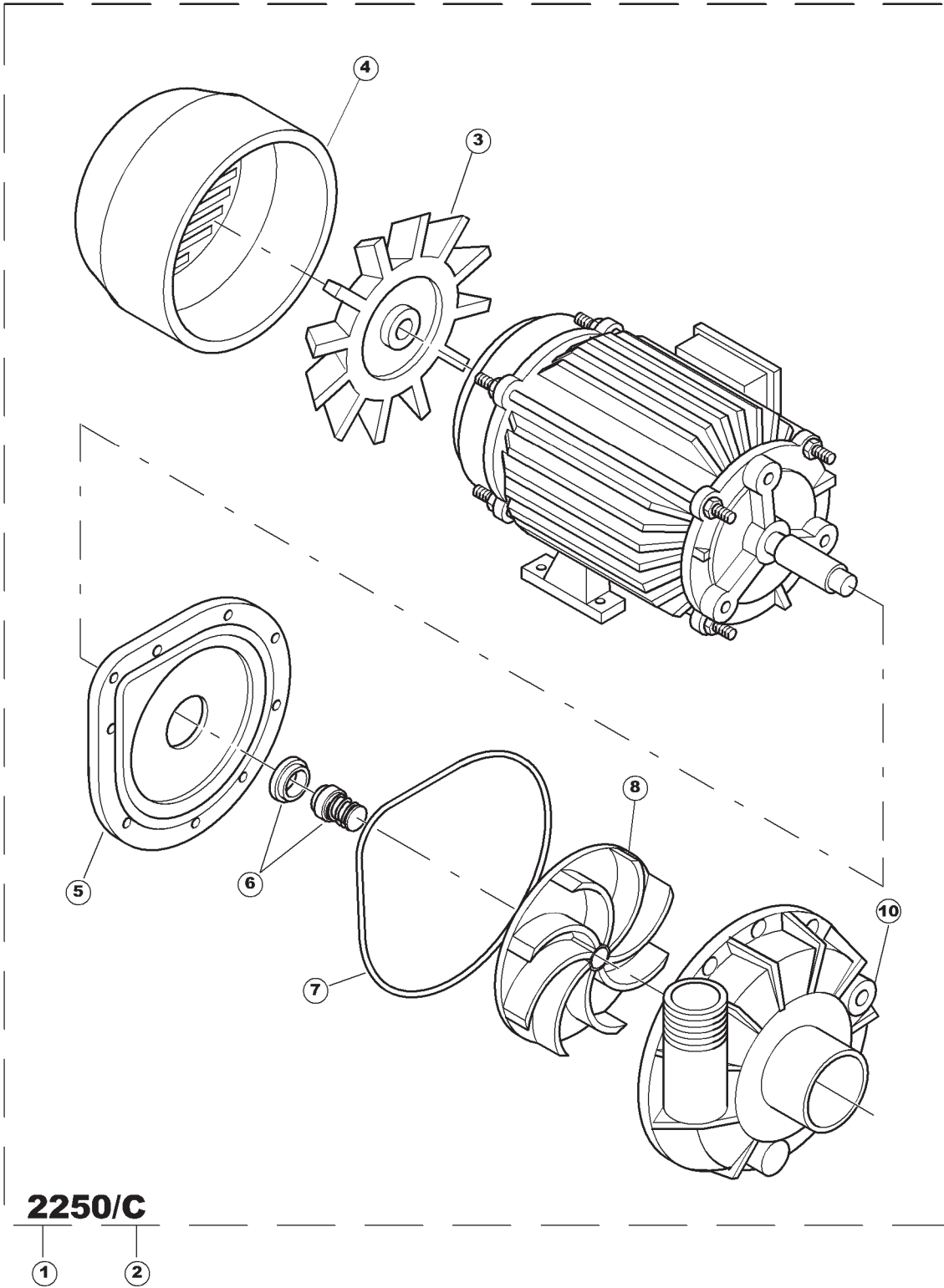
19	127098	MANICOTTO SFIATO BOILER CRP->BT COUPLING LA50 MUFFE LA50 MANCHON LA50	
20	423010	FASCETTA A VITE TORRO W2 8 -12/7 SCREW-CLAMP TORRO W2 8-12/7 SCHRAUBE-SHELLE TORRO W2 8-12/7 COLLIER A VIS TORRO W2 8-12/7	
22	144027	SISTEMA CARICAMENTO CRP PLASTIC AIRGAP AIR GAP GEOFFNETER BEHAELTER	
23	127095	MANICOTTO BOILER->SISTEMA CRP	
25	224002	PRESSOSTATO 110-60 PRESSURE SWTCH TYPE 110-60 DRUCKWAECHTER 110/60 PRESSOSTAT 110/60	
27	143005	TUBO IN GOMMA TELATA 5X12 NERO LINEN RUBBER PIPE 5X12 - BLACK SCHLAUCH AUS LINENGUMMI 5X12 - SCHWARZ TUYAU EN CAOUTCHOUC LIN 5X12 NOIR	
28	929171	TUBO IN GOMMA 20X30 RUBBER PIPE 20X30 GUMMISCHALUCH 20X30 TUYAU EN CAOUTCHOUC 20X30	
30	417125	DADO IN PLAST.CON COLLARE(171571) NUT MUTTER ECROU	
31	437104	GUARNIZIONE D45D33S2 EPDM 70SH RUBBER GASKET DICHTUNG JOINT	
34	144021	AIRGAP SPECIALE LA50 PLASTIC AIRGAP AIR GAP GEOFFNETER BEHAELTER AIRGAP SPECIAL LA50	



Pagina 6

1	4205901	RACCORDO LANCIA DI LAVAGGIO SUPERIORE, CONNECTION WASH ARM - UPPER, ASSY FOR PO WASCHARMVERBINDUNGSSTUECK - OBEN - FUER RACCORD RAMPE DE LAVAGE SUPERIEUR, COMPL	
2	926252	O-RING 4275/3.53 (69,44X3,53NBR) O-RING 4275/3.35 (69,44X3,53 NBR) DICHRING 4275/3.53 (69,44X3,53 NBR) BAGUE D'ETANCHEITE' 4275/3.53 (69,44X3,5	
3	41064CP	CONTROFLANGIA SUPPORTO LANCIA DI LAVAGGI SUPPORT COUNTER-FLANG OF WASH ARM OF POT GEGENFLANSCH DES HALTERS FUER WASCHARM D CONTRE-BRIDE SUPPORT RAMPE DE LAVAGE POU	
4	42053	PERNO LANCIA DI LAVAGGIO INFERIORE PER PIN FOR LOWER WASH ARM FOR POT AND PAN W ZAPPEN FUER WASCHARM - UNTEN FUER KOCHTO PIVOT POUR RAMPE DE LAVAGE INFERIEURE PO	
5	929196	LANCIA DI LAVAGGIO A 3 BRACCI GIREVOLE G ROTATING WASHING UNIT WITH 3 ARMS - BIG DREHWASCHHEINHEIT MIT 3 ARMEN - GROSS - F TOURNIQUET DE LAVAGE A 3 BRAS GRAND POUR	
6	42211	LANCIA GIREVOLE DI RISCIAQUO PER LAVAPE ROTATING WASH ARM FOR POT AND PAN WASHER DREHWASCHARM FUER KOCHTOEPFESPUELER TOURNIQUET DE RINCAGE POUR LAVE-CASSEROL	
7	80380	PERNO LANCIA GIREVOLE REVOLVING ARM SPINDLE DREHARMSPINDEL PIVOT DE TOURNIQUET	
8	42208	BRACCIO DESTRO RISCIAQUO LANCIA RINSE ARM - RIGHT - FOR ROTATING WASH BRAS DROIT DE RINCAGE TOURNIQUET POUR NACHSPUELUNGSARM - RECHTS - FUER DREHWAS	
9	42209	BRACCIO SINISTRO RISCIAQUO LANCIA RINSE ARM - LEFT - FOR ROTATING WASH NACHSPUELUNGSARM - SX- FUER DREHWASCHARM BRAS GAUCHE DE RINCAGE TOURNIQUET POUR	
10	80371	CORPO LANCIA GIR RISC ARM BODY KOERPER DES DREHWASCH-UND-NACHSPUELARMES CORPS BRAS	
11	926132	TAPPO PL X BRACCIO DI RISC.(DWT312) PLASTIC RINSE ARM CAP ZAPPEN EMBOUT EN PLASTIQUE POUR RAMPE DE RINC.	
12	456060	OR 2025 O-RING 2025 O-RING 2025 JOINT THORIQUE 2025	
13	80373	SPRUZZATORE RISCIAQUO RINSE SPRAYER NACHSPUELUNGS-SPRITZER VAPORISATEUR RINCAGE	
14	80365	GHIERA PERNO IN ACCIAIO INOSSIDABILE PER STAINLESS STEEL RING NUT FOR RINSE MANIF EDELSTAHL NUTMUTTER DES NACHSPUEL- EMBOUT FILET* EN ACIER INOX POUR PIVOT D	
15	80374	PONTICELLO RISC. + CORPO LANCIA 80371 BRACKET + ARM BODY 80371 BRUCHLEIN + KOERPER DES DREHWASCH PONTET + CORPS BRAS 80371	
16	41064	CONTROFLANGIA SUPPORTO LANCIA DI LAVAGGI SUPPORT COUNTER-FLANGE OF WASH ARM OF PO GEGENFLANSCH DES HALTERS FUER WASCHARM D CONTRE-BRIDE SUPPORT RAMPE DE LAVAGE POU	
17	41185	PARZIALIZZATORE PER LAVAPENTOLE REDUCER FOR POT AND PAN WASHER VERMINDERER FUER KOCHTOEPFESPUELER REDUCTEUR POUR LAVE-CASSEROLE	

18	4206301	RACCORDO LANCIA DI LAVAGGIO INFERIORE PE WASH-ARM CONNECTION - LOWER - FOR POT AN ANSCHLUSSTUECK FUER WASCHARM - UNTEN - K RACCORD RAMPE DE LAVAGE INFERIEURE POUR	
----	---------	---	--



Pagina 7

1	929174	ELETTROPOMPA 4HP 230/400-50 ELECTROPUMP 4HP 230/400-50 (2250/C) MOTORPUMPE 4HP 230/400-50 MOTOPOMPE 4HP 230/400-50	
2	929175	ELETTROPOMPA 4HP 230/400-50 ELECTROPUMP 4HP 230/400-50 (2250/C) MOTORPUMPE 4HP 230/400-50 MOTOPOMPE 4HP 230/400-50	
3	929189	VENTOLA PER ELETTROPOMPA 2250 WASHPUMP FAN 2250 LAUFRAD FUER MOTORPUMPE 2250 HELICE POUR MOTOPOMPE 2250	
4	929188	COPRIVENTOLA PER ELETTROPOMPA 2250 ELECTROPUMP FAN COVER 2250 LAUFRAD-DECKEL FUER MOTORPUMPE 2250 COUVRE-HELICE POUR MOTOPOMPE 2250	
5	929190	FLANGIA PER ELETTROPOMPA 2250 ELECTROPUMP FLANGE 2250 FLANSCH FUER MOTORPUMPE 2250 BRIDE POUR MOTOPOMPE 2250	
6	929179	TENUTA MECCANICA PER ELETTROPOMPA 2250 WASHPUMP SHAFT SEAL FOR ELECTROPUMP 2250 MECHANISCHE DICHTUNG FUER MOTORPUMPE 225 ETANCHEITE' POUR MOTOPOMPE 2250	
7	929180	GUARNIZIONE PER ELETTROPOMPA 2250 ELECTROPUMP PACKING 2250 DICHTUNG FUER MOTORPUMPE 2250 JOINT POUR MOTOPOMPE 2250	
8	929181	GIRANTE PER ELETTROPOMPA 2250/75-2250 ELECTROPUMP IMPELLER 2250/75-2250 FLUEGELRAD FUER MOTORPUMPE 2250/75- 22 TURBINE POUR MOTOPOMPE 2250/75-2250	
10	929191	CHIOCCIOLA PER ELETTROPOMPA 2290/2250 ELECTROPUMP 2290/2250 PUMPENGEHAEUSE 2290/2250 VOLUTE POUR MOTOPOMPE 2290/2250	