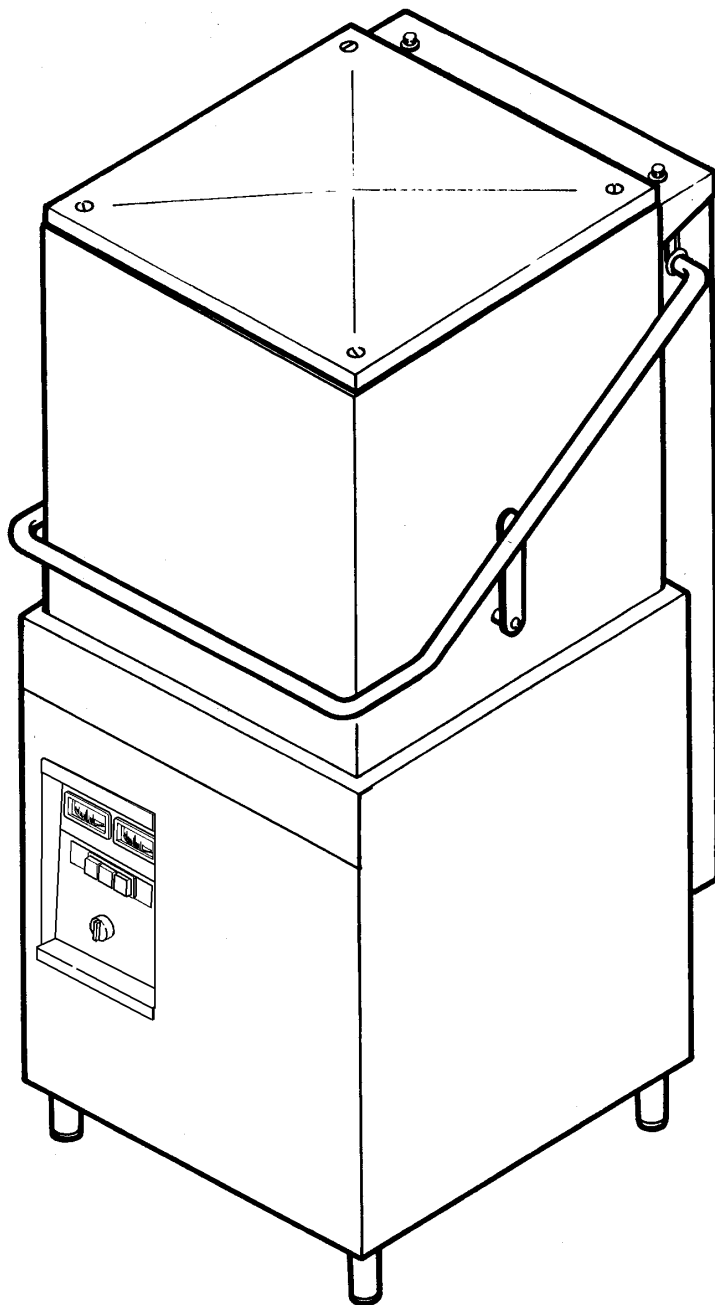
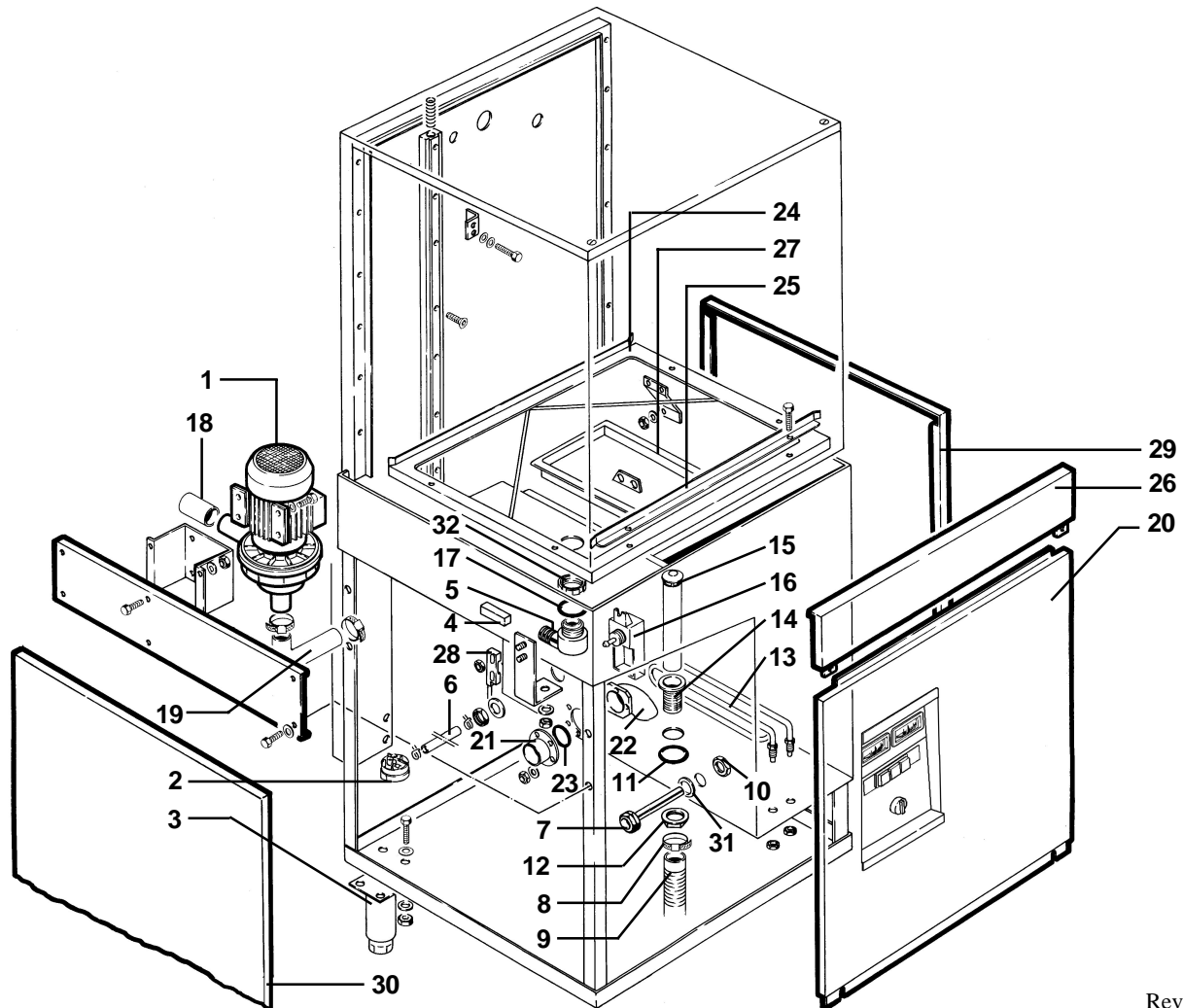


**LAVASTOVIGLIE INDUSTRIALI**  
**INDUSTRIAL DISHWASHER**  
**LAVE-VAISSELLE INDUSTRIELS**  
**INDUSTRIEGESCHIRRSPÜLES**

**1300S**

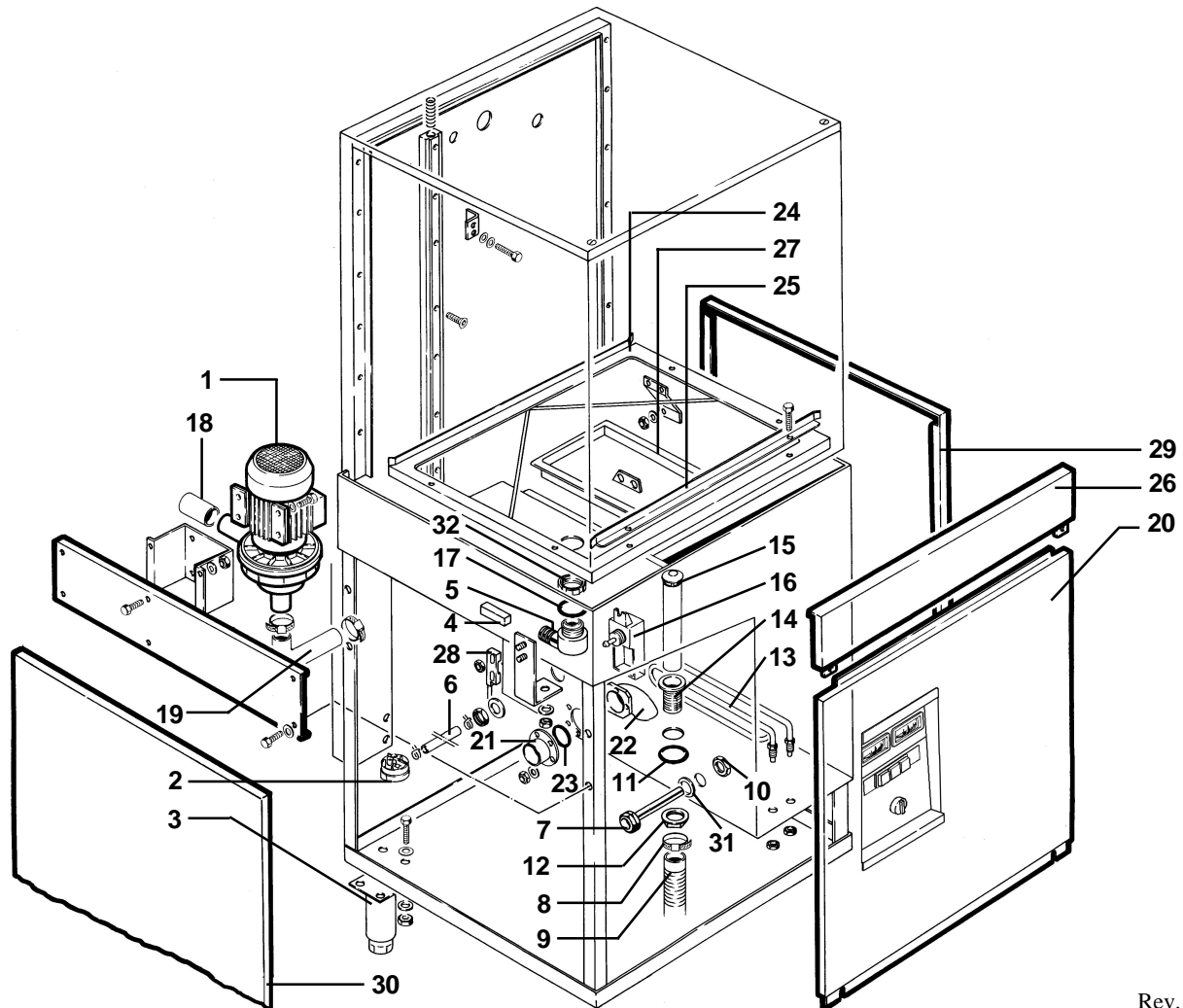


***MANUALE DI RICAMBIO***  
**SPARE PARTS**  
***CATALOGUES PIÈCES***  
**ERSATZTEILEKATALOG**



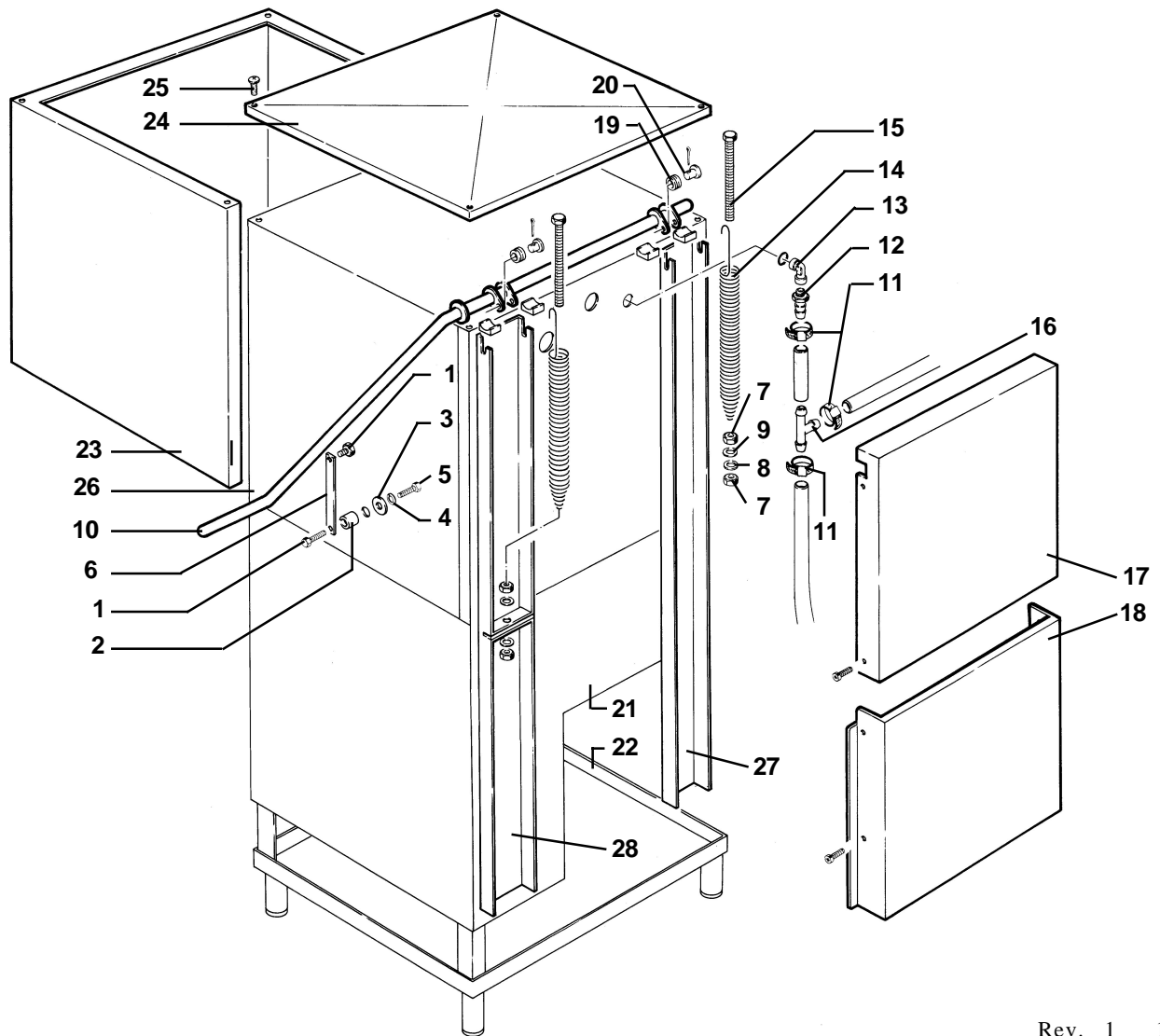
Rev. 0 03/99

Pos	COD.	DESCRIZIONE	DENOMINATION	DESCRIPTION	BEZEICHNUNG
1	902309	POMPA 1,5 Hp	POMPE	PUMP	PUMPE
2	905275	PRESSOSTATO	PRESSOSTAT	PRESSURE SWITCH	DRUCH WAECHTER
3	TR0299	PIEDINO REGOLABILE	PIED REGABLE	RUBBER LEG	EINSTELLBARER SOCKEL
4	TR0220	MAGNETE	MAGNETO	MAGNET	MAGNET
5	904278	MOZZO INFERIORE	MOYEU INFERIEUR	LOWER HUB	UNTERENABE
6	907272	TUBO PRESSOSTATO	TUYAU PRESSOSTAT	PRESSURE SWITCH PIPE	SCHLAUCH
7	905191	PORTABULBO	SIEGE DE BULBE	SEATING BULB	KUGEL SITZ
8	902460	FASCETTA 26 ÷ 38	COLLIER	CLAMP	SHELLE
9	907450	TUBO SCARICO	TUYAU DE DECHARGE	PIPE FITTING FOR OUTLET	ABLAUFANSCHLUSS
10	902061	GHIERA ½" GAS	VIROLE	LOCK NUT	NUT-MUTTER
11	904380	O-RING	O-RING	O-RING	O-RING
12	902080	GHIERA 1" ¼ GAS	VIROLE	LOCK NUT	NUT-MUTTER
13	905748	RESISTENZA 3000W	RESISTANCE	HEATING ELEMENT	HEIZKÖRPER
14	905450	RACCORDO SCARICO	RACCORD DE DECHARGE	PIPE FITTING FOR OUTLET	ABLAUFANSCHLUSS
15	TR1039	TROPPO PIENO	NIVEAU	OVER FLOW	VERBELAUF
16	TR0268	TRAPPOLA ARIA	RESERVOIR AIR	AIR TRAP	LUFT FALLE
17	TR0115	O-RING	O-RING	O-RING	O-RING
18	TR0475	MANICOTTO MANDATA	MANCHON DE REFOULEM.	OUTLET ELBOW	AUSLASSMUFFE
19	903704	MANICOTTO ASPIRAZIONE	MANCHON D'ASPIRATION	INTAKE PIPE FITTING	ANSAUGANSCHLUSSE
20	904499	PANNELLO COMANDI	PANNEAU COMMAND	CONTROL PANEL	SCHALTTAFAEL
21	901653	RACCORDO ASPIRAZIONE	RACCORD D'ASPIRATION	ONTAKE PIPE FITTING	ANSAUGANSCHLUSS
22	TR0977	RACCORDO ASPIRAZIONE	RACCORD D'ASPIRATION	ONTAKE PIPE FITTING	ANSAUGANSCHLUSS
23	904395	O-RING	O-RING	O-RING	O-RING
24	906406	TELAIO PORTACESTELLI	CHASSIS PORTE PANIER	TRACK	FUHRUNG
25	901671	GUIDA PER CESTELLI	COULISSE PANIER	BASKET GUIDE	KORBUFUHRUNG
26	904583	PANNELLO FRONTALE	PANNEAU FRONTAL	FRONT PANEL	FRONT VERKLEIDUNG
27	902646	FILTRO SUPERFICIE	FILTRE	FILTER	FILTER
28	TR0666	REED MAGNETICO	REED	REED	REED
29	904666	PANNELLO LATERALE DX	PANNEAU DROITE	RIGHT PANEL	RECHTE VERKLEIDUNG
30	904667	PANNELLO LATERALE SX	PANNEAU GAUCHE	LEFT PANEL	LINKE VERKLEIDUNG
31	903250	GUARNIZIONE ½" GAS	JOINT	GASKET	DICHTUNG
32	902888	GHIERA 2" ¼ GAS	VIROLE	LOCK NUT	NUT MUTTER



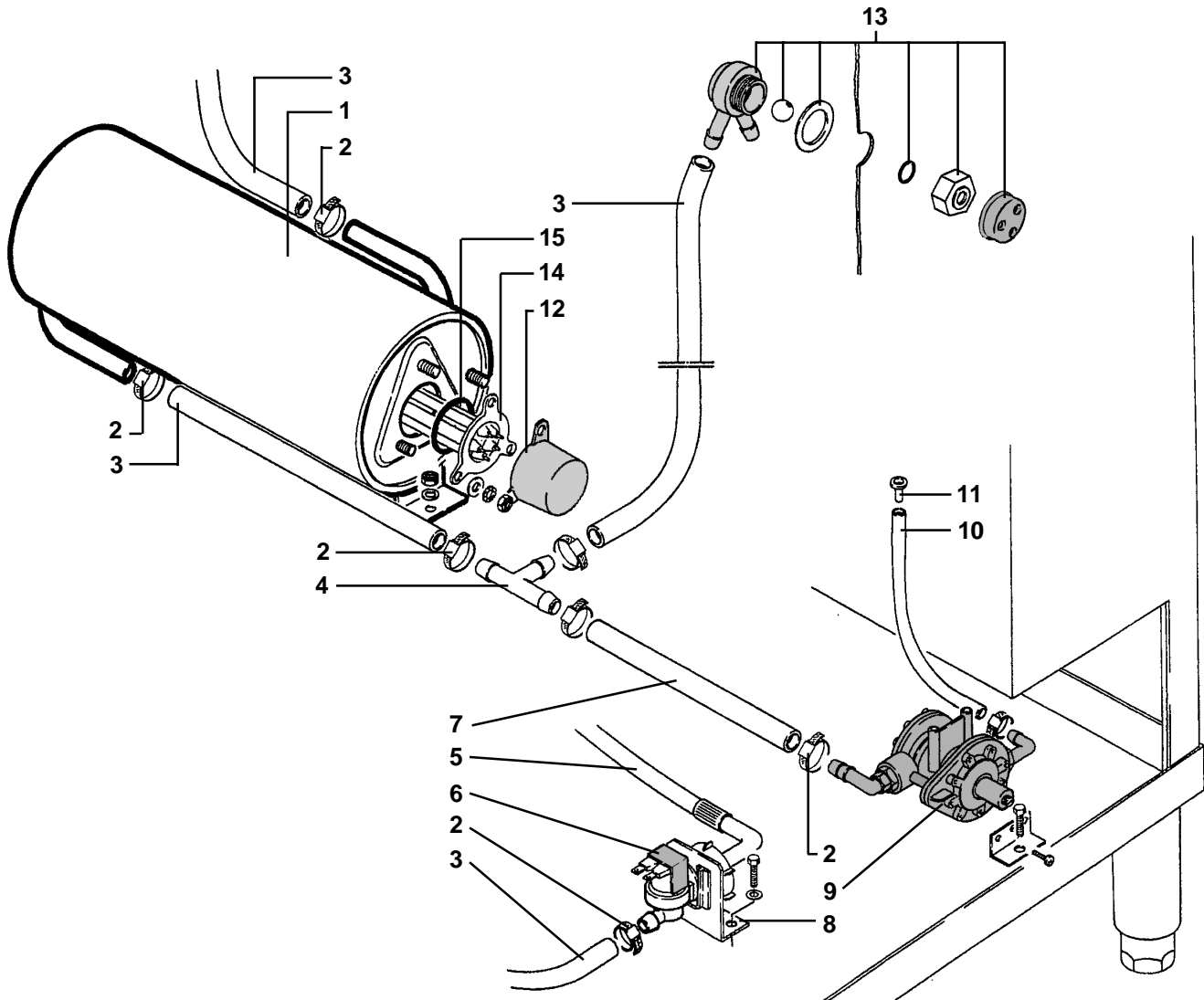
Rev. 1 10/99

Pos	COD.	DESCRIZIONE	DENOMINATION	DESCRIPTION	BEZEICHNUNG
1	902309	POMPA 1,5 Hp	POMPE	PUMP	PUMPE
2	905275	PRESSOSTATO	PRESSOSTAT	PRESSURE SWITCH	DRUCH WAECHTER
3	TR0299	PIEDINO REGOLABILE	PIED REGABLE	RUBBER LEG	EINSTELLBARER SOCKEL
4	TR0220	MAGNETE	MAGNETO	MAGNET	MAGNET
5	900049	MOZZO INFERIORE	MOYEU INFERIEUR	LOWER HUB	UNTERENABE
6	907272	TUBO PRESSOSTATO	TUYAU PRESSOSTAT	PRESSURE SWITCH PIPE	SCHLAUCH
7	905191	PORTABULBO	SIEGE DE BULBE	SEATING BULB	KUGEL SITZ
8	902460	FASCETTA 26 ÷ 38	COLLIER	CLAMP	SHELLE
9	907450	TUBO SCARICO	TUYAU DE DECHARGE	PIPE FITTING FOR OUTLET	ABLAUFANSCHLUSS
10	902061	GHIERA ½" GAS	VIROLE	LOCK NUT	NUT-MUTTER
11	904380	O-RING	O-RING	O-RING	O-RING
12	902080	GHIERA 1" ¼ GAS	VIROLE	LOCK NUT	NUT-MUTTER
13	905748	RESISTENZA 3000W	RESISTANCE	HEATING ELEMENT	HEIZKÖRPER
14	905450	RACCORDO SCARICO	RACCORD DE DECHARGE	PIPE FITTING FOR OUTLET	ABLAUFANSCHLUSS
15	TR1039	TROPPO PIENO	NIVEAU	OVER FLOW	VERBELAUF
16	TR0268	TRAPPOLA ARIA	RESERVOIR AIR	AIR TRAP	LUFT FALLE
17	TR2448	GUARNIZIONE	JOINT	GASKET	DICHTUNG
18	TR0475	MANICOTTO MANDATA	MANCHON DE REFOULEM.	OUTLET ELBOW	AUSLASSMUFFE
19	903704	MANICOTTO ASPIRAZIONE	MANCHON D'ASPIRATION	INTAKE PIPE FITTING	ANSAUGANSCHLUSSE
20	904499	PANNELLO COMANDI	PANNEAU COMMAND	CONTROL PANEL	SCHALTTAFAEL
21	901653	RACCORDO ASPIRAZIONE	RACCORD D'ASPIRATION	ONTAKE PIPE FITTING	ANSAUGANSCHLUSS
22	TR0977	RACCORDO ASPIRAZIONE	RACCORD D'ASPIRATION	ONTAKE PIPE FITTING	ANSAUGANSCHLUSS
23	904395	O-RING	O-RING	O-RING	O-RING
24	906406	TELAIO PORTACESTELLI	CHASSIS PORTE PANIER	TRACK	FUHRUNG
25	901671	GUIDA PER CESTELLI	COULISSE PANIER	BASKET GUIDE	KORBUFUHRUNG
26	904583	PANNELLO FRONTALE	PANNEAU FRONTAL	FRONT PANEL	FRONT VERKLEIDUNG
27	902646	FILTRO SUPERFICIE	FILTRE	FILTER	FILTER
28	TR0666	REED MAGNETICO	REED	REED	REED
29	904666	PANNELLO LATERALE DX	PANNEAU DROITE	RIGHT PANEL	RECHTE VERKLEIDUNG
30	904667	PANNELLO LATERALE SX	PANNEAU GAUCHE	LEFT PANEL	LINKE VERKLEIDUNG
31	903250	GUARNIZIONE ½" GAS	JOINT	GASKET	DICHTUNG
32	900050	GHIERA 2" ¼ GAS	VIROLE	LOCK NUT	NUT MUTTER



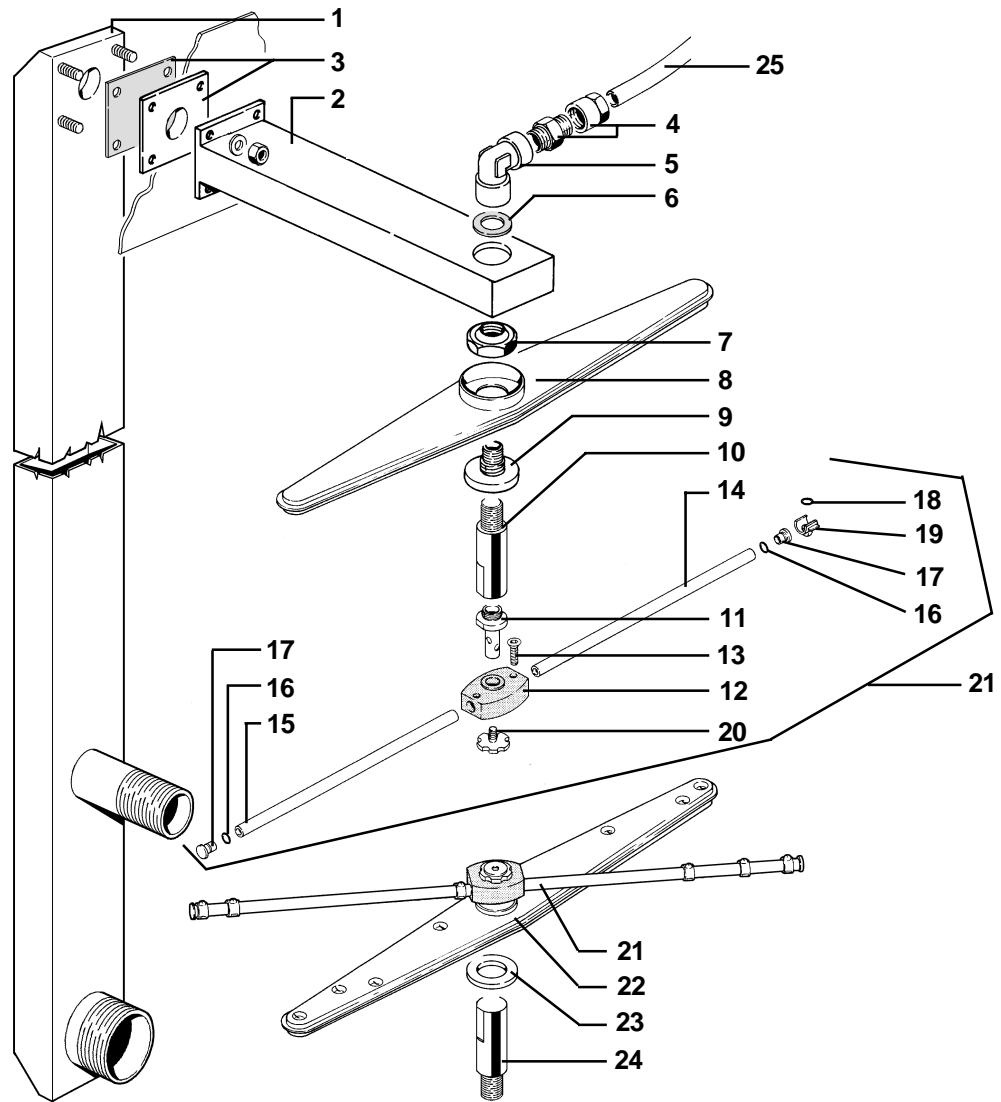
Rev. 1 10/00

Pos	COD.	DESCRIZIONE	DENOMINATION	DESCRIPTION	BEZEICHNUNG
1	904771	PERNO SNODO	PIVOT A GENOU	JOINT PIN	GELENKBOLZEN
2	900514	BUSSOLA PER SNODO	DOUILLE	BEARING	BUCHSE
3	906050	RONDELLA PIANA	RONDELLE	WASHER	UNTER LEGSCHEIBE
4	905940	RONDELLA GROWER Ø 8	RONDELLE	WASHER	UNTER LEGSCHEIBE
5	907820	VITE M8x12	VIS	SCREW	SCHRAUBE
6	904930	PIASTRINA	PLAQUE	PLATE	PLATTE
7	902022	DADO M10	ECROU	NUT	MUTTER
8	905941	RONDELLA GROWER Ø 10	RONDELLE	WASHER	UNTER LEGSCHEIBE
9	906055	RONDELLA PIANA Ø 10	RONDELLE	WASHER	UNTER LEGSCHEIBE
10	903900	MANIGLIONE	POIGNEE	HANDLE	HANDRIFF
11	902440	FASCETTA 13÷20	COLLIER	CLAMP	SHELLE
12	908128	RACC. PORTA GOMMA ¼"	RACCORD	PIPE FITTING	ANSCHLUSS
13	908120	RACCORDO A GOMITO ¼"	RACCORD	PIPE FITTING	ANSCHLUSS
14	904133	MOLLA SOLLEV. CAPOT	RESSORT	SPRING	FEDER
15	907222	TIRANTE MOLLA	TIRANT	CONNECTING ROD	ZUGSTAB
16	905382	RACCORDO DOSATORE	RACCORD	PIPE FITTING	ANSCHLUSS
17	904662	PANNELLO POST. SUP.	PANNEAU POST. SUPERIEUR	UPPER BACK PANEL	HINTERE VERKLEIDUNG
18	904663	PANNELLO POST. INF.	PANNEAU POST. INFERIEUR	LOWER BACK PANEL	HINTERE VERKLEIDUNG
19	906066	ROTELLA SUPPORTO MOLLA	GALET PIVOTANT	SMALL WHELL	RADCHEN
20	904796	PERNO ROTELLA	PIVOT D'ACCROCHAGE	HOOKING PIN	KUPLUNGSBOLZEN
21	901950	VASCA	CUVE	TANK	TANK
22	900300	BASAMENTO	SOCLE	BASE	UNTERSTRUKTUR
23	904019	COPERTURA CAPOT	COUVERCLE CAPOT	CAPOT COVER	GEHAUSE DECKEL
24	904711	PANNELLO SUPERIORE	PANNEAU SUPERIEUR	UPPER SIDE PANEL	OBER VERKLEIDUNG
25	907785	VITE TCBL M6x11	VIS	SCREW	SCHRAUBE
26	900909	CAPOT	CAPOTE	HOOD	GEHAUSE
27	908126	LONGHERONE DX	LONGERON	BACK STAY	LANGSTRAGER
28	908127	LONGHERONE SX	LONGERON	BACK STAY	LANGSTRAGER



Rev. 0 03/99

Pos	COD.	DESCRIZIONE	DENOMINATION	DESCRIPTION	BEZEICHNUNG
1	900929	BOILER	CHAUFFE EAU	BOILER	HEISSWASSERSPEICHER
2	902440	FASCETTA 13÷20	COLLIER	CLAMP	SHELLE
3	907295	TUBO GOMMA 12x19,5	TUYAU EN CAOUTCHOUC	RUBBER PIPE	GUMMISCHLAUCH
4	905381	RACCORDO 3 VIE	RACCORD	PIPE FITTING	ANSCHLUSSE
5	907345	TUBO CARICO	TUYAU D'ENTREE DE L'EAU	INLET PIPE	WASSERZUFUHRROHR
6	902390	ELETTRIVALVOLA	ELECTROVANNE	ELECTRO-VALVE	ELEKTROVENTIL
7	907359	TUBO GOMMA 8x15	TUYAU EN CAOUTCHOUC	RUBBER PIPE	GUMMISCHLAUCH
8	906365	SUPP. ELETTRIVALVOLA	SUPPORT SOUPEPE ELECT.	ELECTRO-VALVE SUPPORT	ELEKTROVENTIL TRAGËR
9	902199	DOSATORE	DOSEUR	DOSING DEVICE	DOSIERZATZ
10	907270	TUBO 4x7	TUYAU	PIPE	SCHLAUCH
11	902568	FILTRO	FILTRE	FILTER	FILTER
12	TR0594	PROTEZIONE RESISTENZA	CAPUCHON	HEATING ELEMENT PROT.	HEIZSTABKAPPE
13	TR2433	VALVOLA ANTIRIFLUSSO	VALVE	VALVE	VENTIL
14	TR0341	RESISTENZA 9Kw	RESISTANCE	HEATING ELEMENT	HEIZKORPER
15	907981	O-RING	O-RING	O-RING	O-RING



Rev. 0 03/99

Pos	COD.	DESCRIZIONE	DENOMINATION	DESCRIPTION	BEZEICHNUNG
1	901719	COLONNA LAVAGGIO	COLONNE DE LAVAGE	WASHING PIPE	SPÜLUNG SAÜLE
2	901718	BRACCIO LAVAGGIO	BRAS DE LAVAGE	WASH ARM	WASCHLAUFRAD
3	903381	GUARNIZIONE	JOINT	GASKET	DICHTUNG
4	908121	RACCORDO CON OGIVA	RACCORD	PIPE FITTING	ANSCHLUSSE
5	908120	RACCORDO A GOMITO	RACCORD	PIPE FITTING	ANSCHLUSSE
6	903351	GUARNIZIONE	JOINT	GASKET	DICHTUNG
7	902890	GHIERA	VIROLE	LOCK NUT	NUT-MUTTER
8	902960	GIRANTE LAVAGGIO	BRAS DE LAVAGE	WASH ARM	WASCHLAUFRAD
9	902891	MOZZO GIRANTE LAVAGGIO	MOYEU	HUB	NABE
10	904750	PERNO LAVAGGIO SUP.	TOURILLON DE LAVAGE SUP.	UPPER WASH PIN	OBENERER WASCHSTIFF
11	904760	PERNO RISCIAQUO	TOURILLON DE RINÇAGE	RINSE PIN	SPÜLSTIFT
12	904292	MOZZO GIRANTE RISCIAQUO	MOYEU	HUB	NABE
13	907651	VITE TPS M4x8	VIS	SCREW	SCHRAUBE
14	954806	BRACCIO RISCIAQUO DX	BRAS DE RINÇAGE DROITE	RIGHT RINSE ARM	RECHTE SPÜLLAUFRAD
15	954807	BRACCIO RISCIAQUO SX	BRAS DE RINÇAGE GAUCHE	LEFT RINSE ARM	LINKE SPÜLLAUFRAD
16	904321	O-RING	O-RING	O-RING	O-RING
17	906450	TAPPO BRACCIO RISCIAC.	BOUCHON BRAS DE RINÇAGE	PLUG FOR RINSE ARM	VERSCHLUSS SPÜLLAUFRAD
18	904388	O-RING	O-RING	O-RING	O-RING
19	902816	GETTO RISCIAQUO	JET DE RINÇAGE	RISING JET	SPÜLLDUSE
20	902880	GHIERA BLOCCAGGIO	FRETTE DE BLOCAGE	RING-NUT	KLEMUTTER
21	903017	GIRANTE RISCIAC. COMPL.	BRAS DE RINÇAGE COMPL.	COMPL. RINSE ARM	KOMPL. SPÜLLAUFRAD
22	902961	GIRANTE LAVAGGIO COMPL.	BRAS DE LAVAGE COMPL.	COMPL. WASH ARM	KOMPL. WASCHLAUFRAD
23	906001	RONDELLA	RONDELLE	WASHER	UNTERLEGSCHIEBE
24	904753	PERNO LAVAGGIO INF.	TOURILLON DE LAVAGE INF.	LOWER WASH PIN	UNTERE WASCHSTIFF
25	908888	TUBO Ø 10x8 FORAFLON	TUYAU	SWITCH PIPE	SCHLAUCH

